



US00D631141S

(12) **United States Design Patent**
Ball et al.

(10) **Patent No.:** **US D631,141 S**
(45) **Date of Patent:** **** Jan. 18, 2011**

(54) **FAUCET MOUNTING DEVICE**

(75) Inventors: **William T. Ball**, Colorado Springs, CO (US); **William L. Carlson**, Elbert, CO (US)

(73) Assignee: **WCM Industries, Inc.**, Colorado Springs, CO (US)

(**) Term: **14 Years**

(21) Appl. No.: **29/352,949**

(22) Filed: **Dec. 30, 2009**

Related U.S. Application Data

(63) Continuation-in-part of application No. 12/115,223, filed on May 5, 2008.

(51) **LOC (9) Cl.** **23-01**

(52) **U.S. Cl.** **D23/259**

(58) **Field of Classification Search** D23/238,
D23/249, 259, 262; 137/356, 357, 359-360;
285/64, 158, 137.11

See application file for complete search history.

(56) **References Cited**

U.S. PATENT DOCUMENTS

D239,448	S *	4/1976	Kazienko et. al	D23/259
D270,090	S *	8/1983	Jennings	D24/155
4,473,244	A	9/1984	Hill		
5,535,776	A *	7/1996	Kingman	137/359
5,803,508	A	9/1998	Lowella		
D408,895	S *	4/1999	Lai	D23/238
5,906,401	A *	5/1999	Viegner	285/90
6,142,172	A	11/2000	Shuler et al.		
6,195,818	B1 *	3/2001	Rodstein et al.	4/678
D450,814	S *	11/2001	Aldred et al.	D23/259
6,360,770	B1 *	3/2002	Buchner et al.	137/315.12
6,431,204	B1	8/2002	Ball		
D477,385	S *	7/2003	Hampton	D23/249

D478,652	S *	8/2003	Lai	D23/238
D510,131	S *	9/2005	Karasawa	D23/262
7,055,863	B1	6/2006	Commeville et al.		
D612,021	S *	3/2010	Schmidt	D23/262
2004/0035064	A1	2/2004	Kugler et al.		
2007/0157981	A1 *	7/2007	Burns et al.	137/801
2009/0007971	A1	1/2009	Ball		
2010/0116359	A1 *	5/2010	Ball et al.	137/360
2010/0180375	A1 *	7/2010	Meehan et al.	4/695

OTHER PUBLICATIONS

Canadian Patent Application No. 132120, dated Jan. 6, 2010.

* cited by examiner

Primary Examiner—T. Chase Nelson

Assistant Examiner—Eric L Goodman

(74) *Attorney, Agent, or Firm*—Sheridan Ross P.C.

(57) **CLAIM**

The ornamental design for a faucet mounting device, as shown and described.

DESCRIPTION

FIG. 1 is a perspective view of the faucet mounting device showing the new design;

FIG. 2 is a top plan view thereof;

FIG. 3 is a front elevation view thereof;

FIG. 4 is a left elevation thereof;

FIG. 5 is a right elevation view thereof;

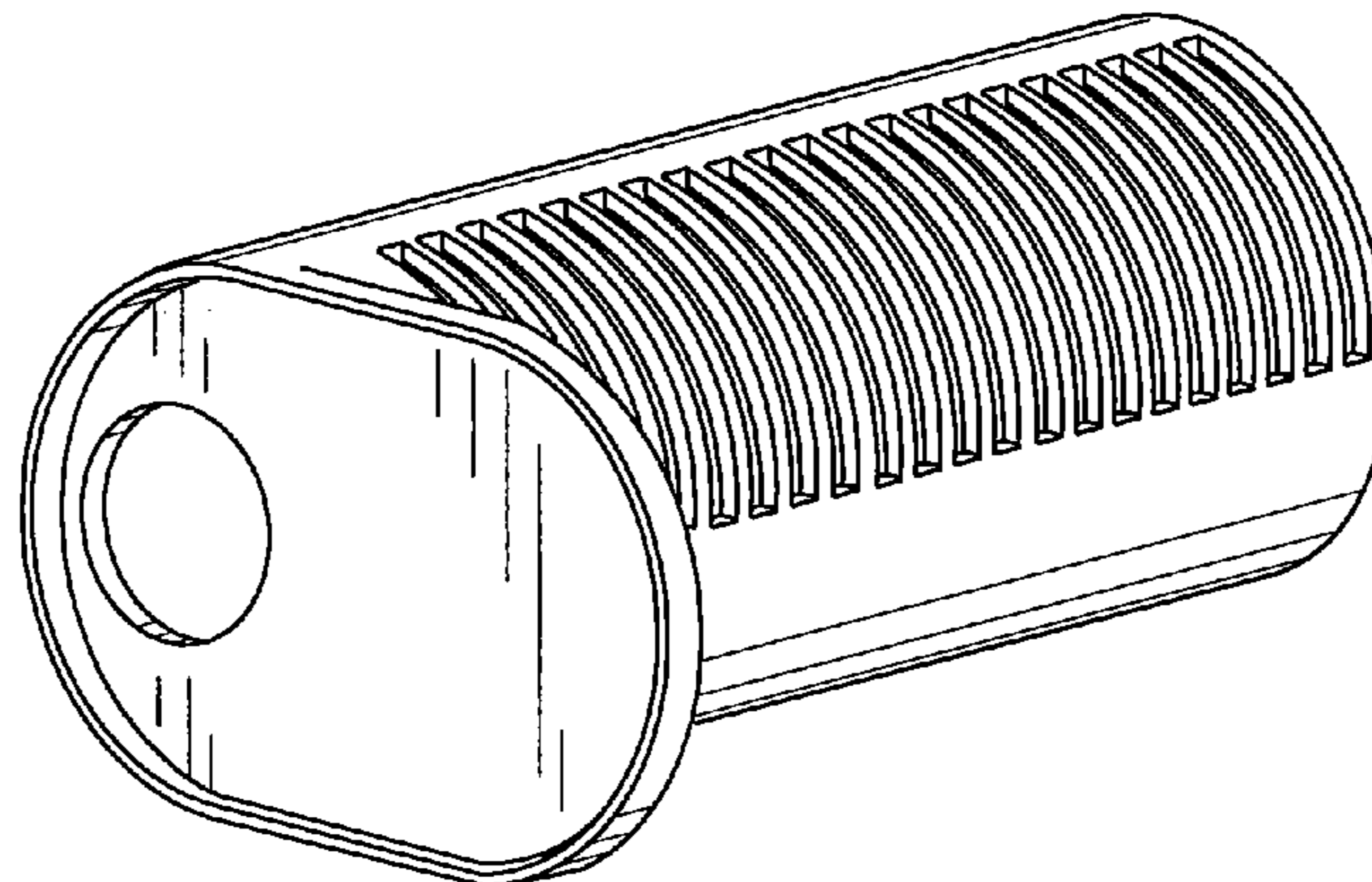
FIG. 6 is a rear elevation view thereof

FIG. 7 is bottom plan view thereof; and,

FIG. 8 is a perspective view thereof shown interconnected to a faucet and a mounting bracket.

The broken lines in the figures show environment and is for illustrative purposes only and form no part of the claimed design.

1 Claim, 5 Drawing Sheets



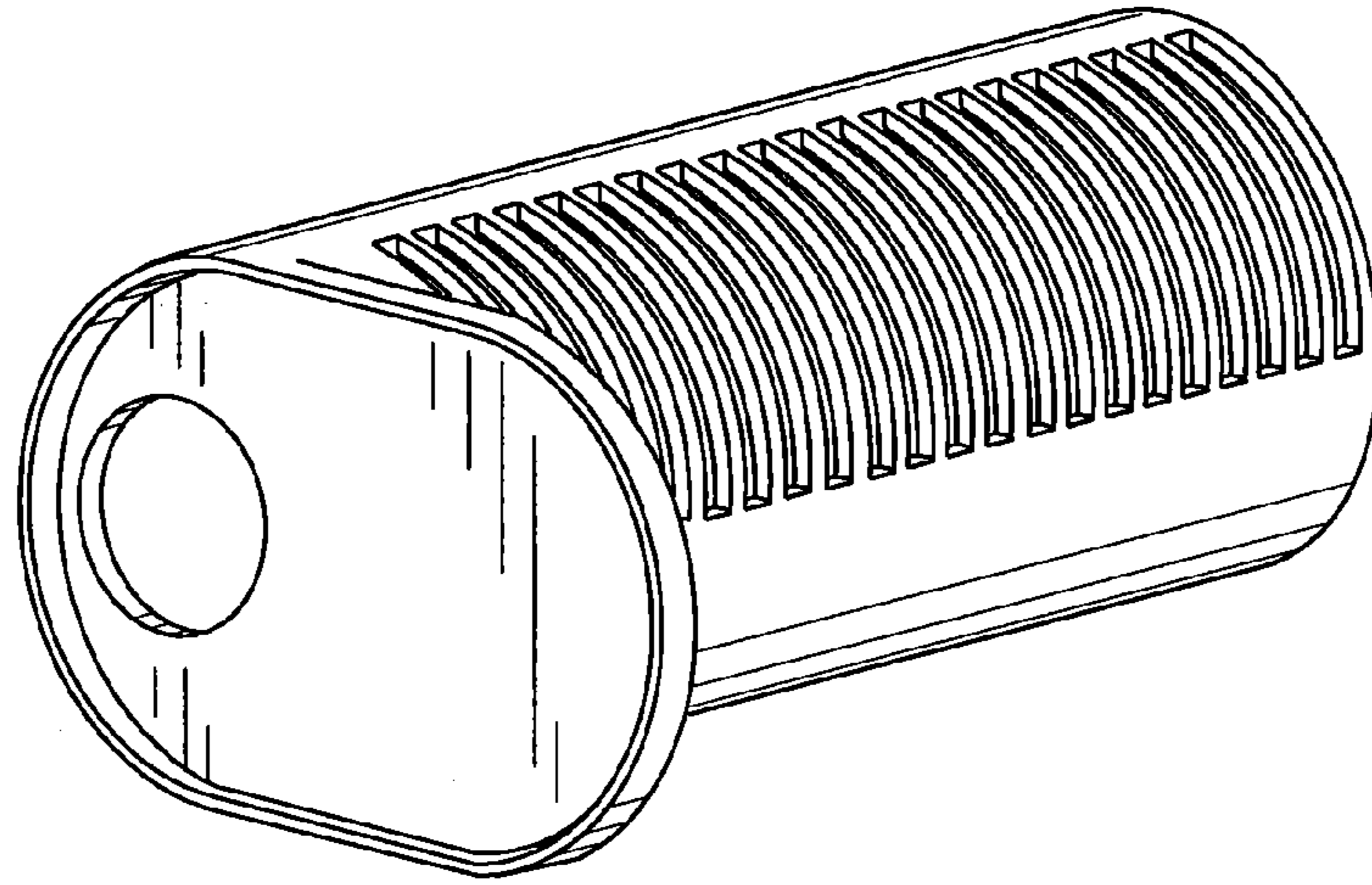


Fig. 1

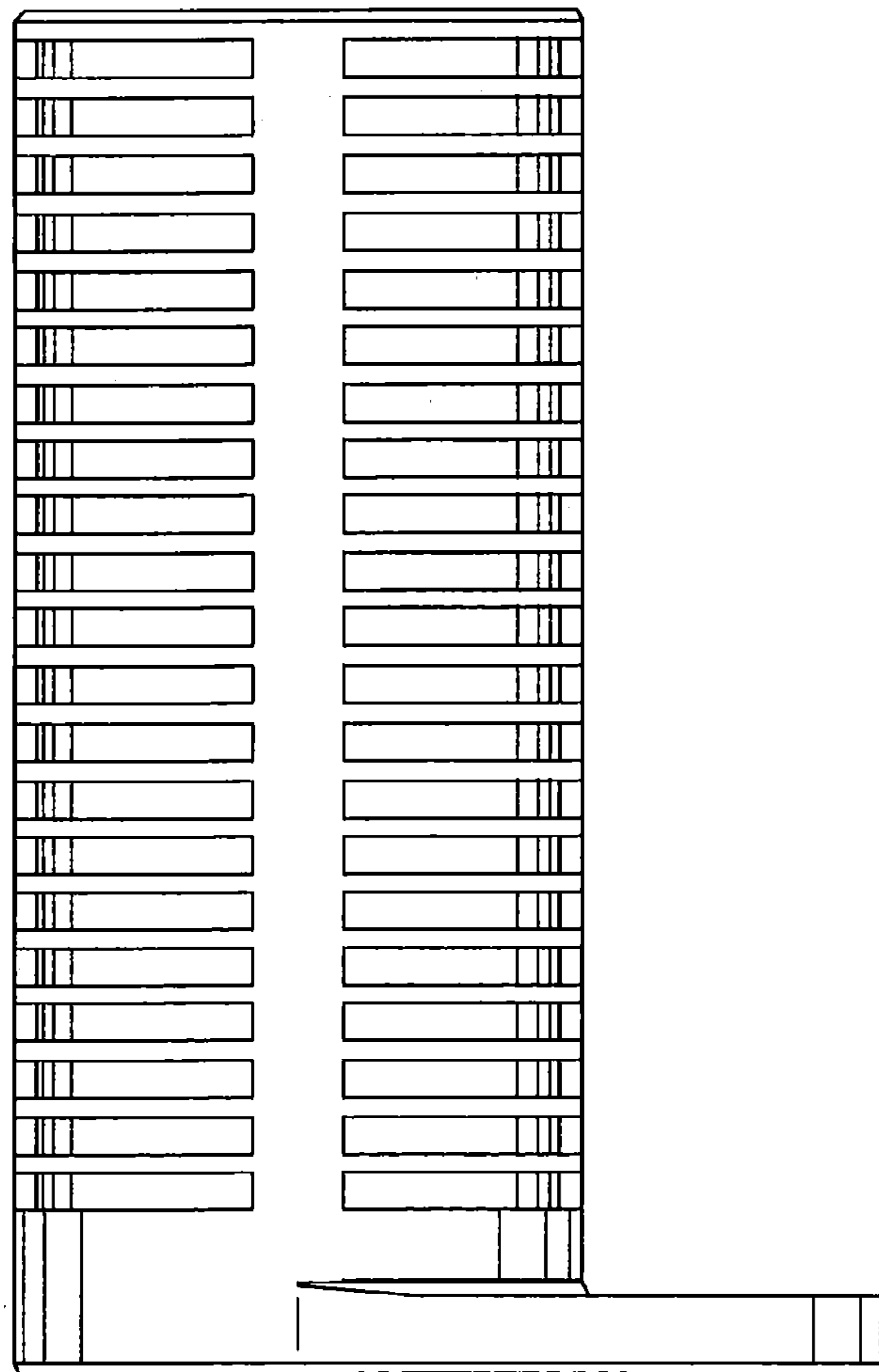


Fig. 2

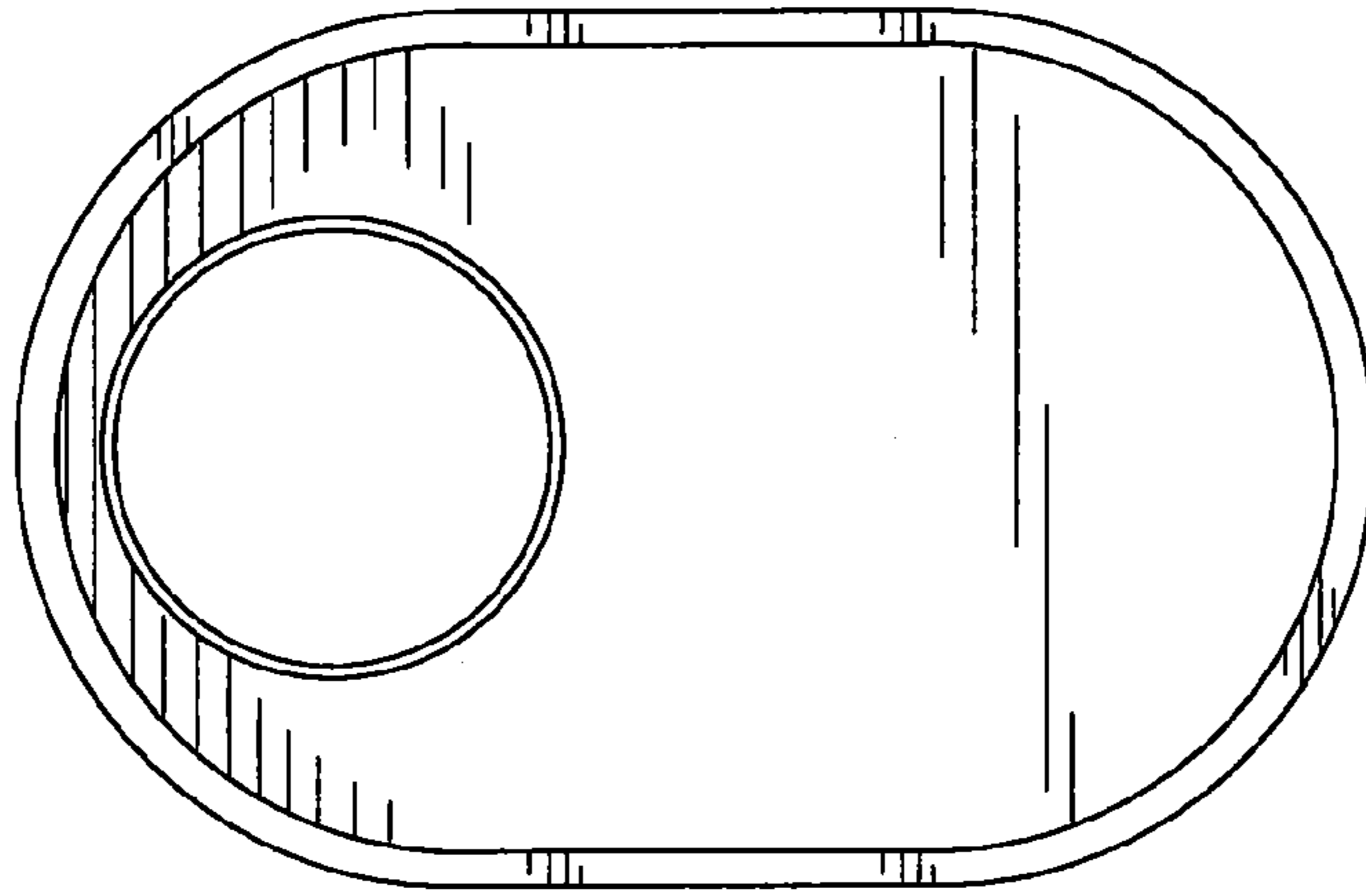


Fig. 3

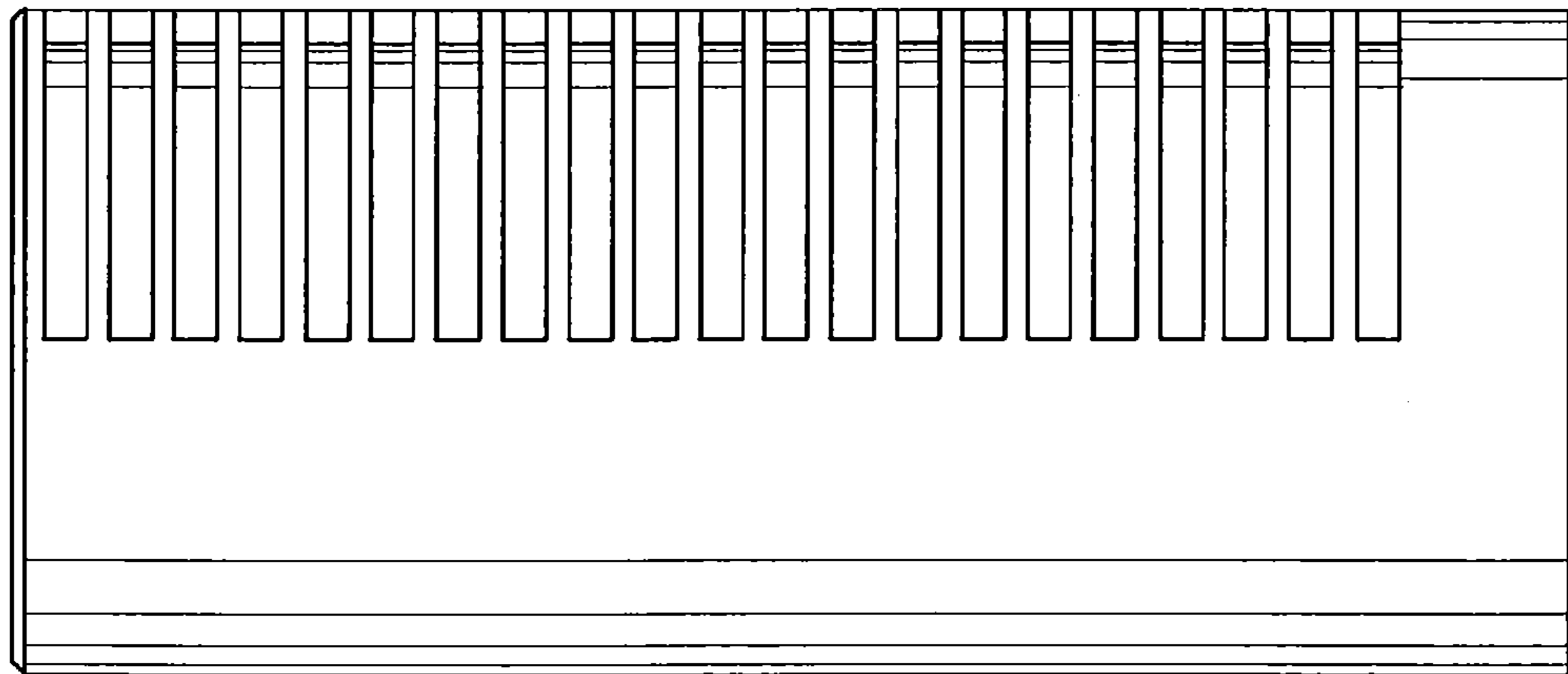


Fig. 4

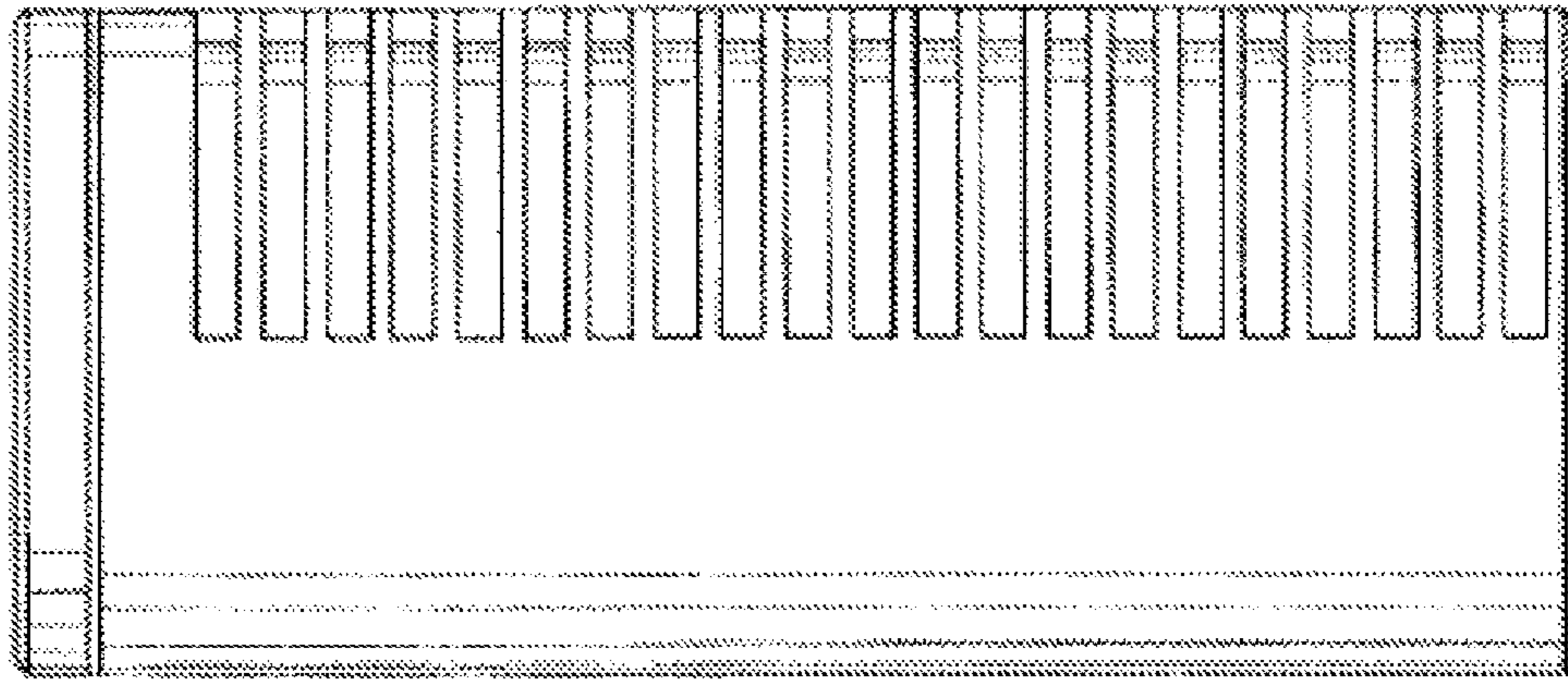


Fig. 5

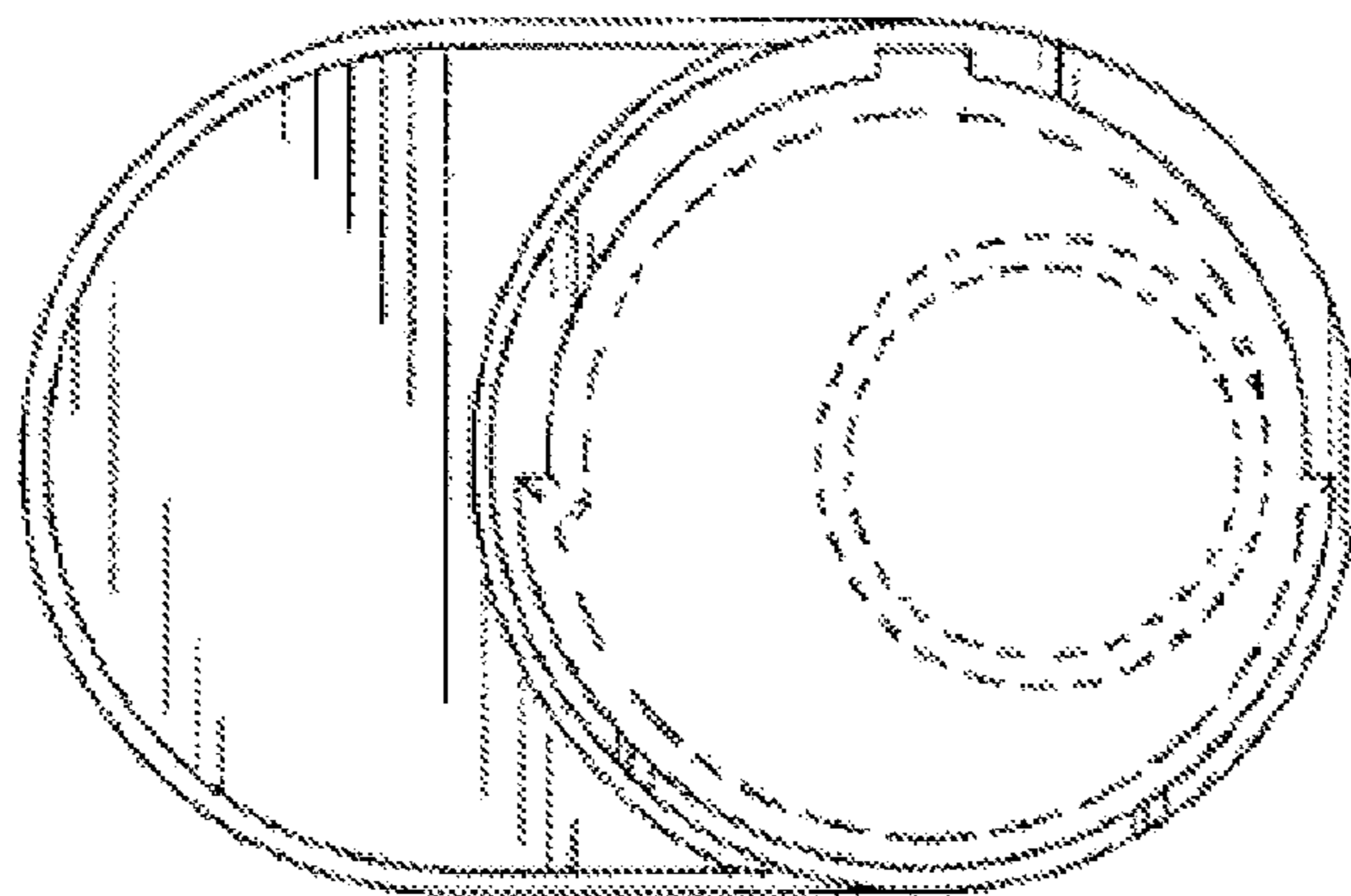


Fig. 6

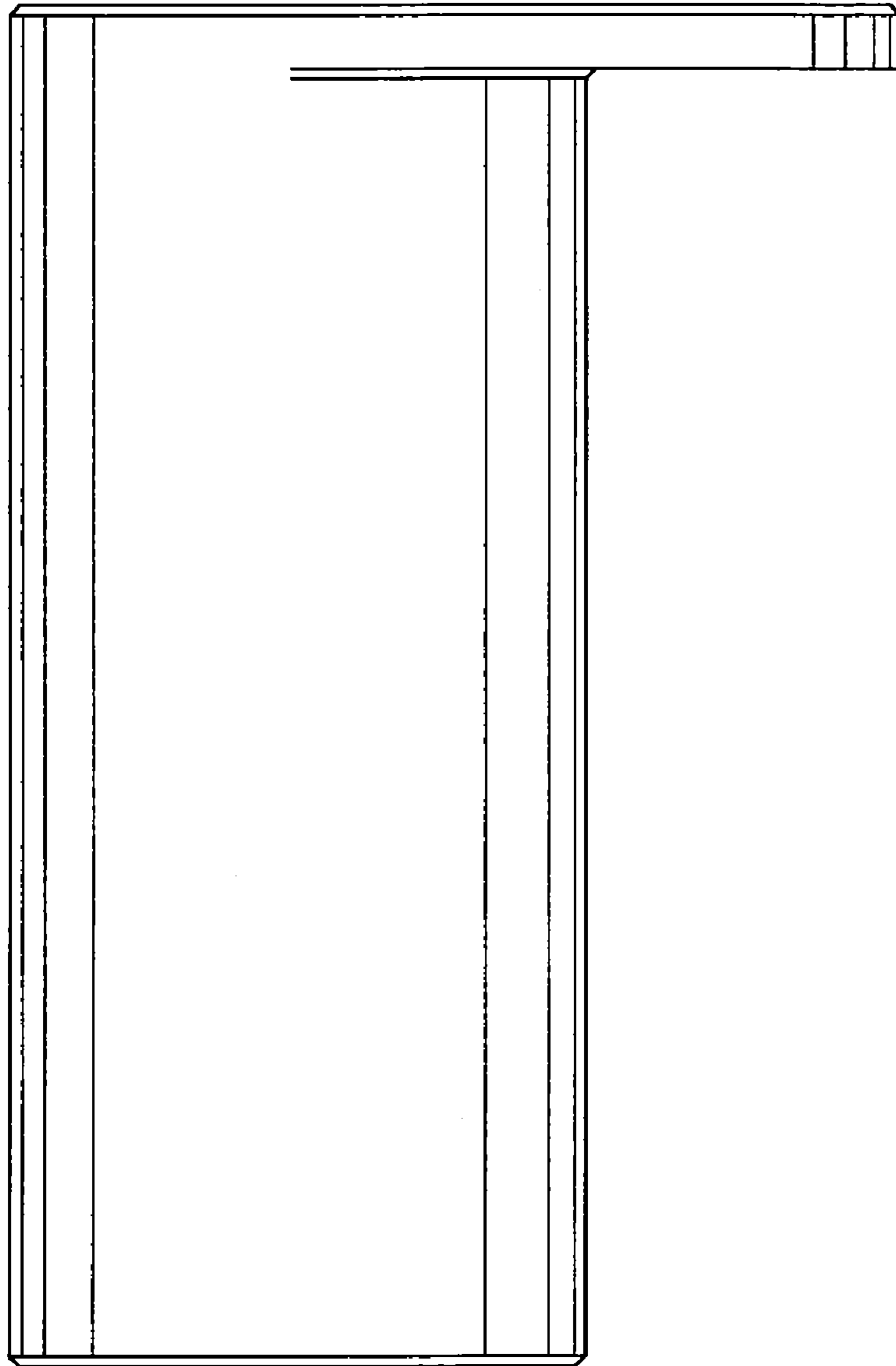


Fig. 7

Fig. 8

