



US00D631138S

(12) **United States Design Patent**  
**Yokoyama et al.**

(10) **Patent No.:** **US D631,138 S**

(45) **Date of Patent:** **\*\* Jan. 18, 2011**

(54) **SPOUT**

D557,383 S \* 12/2007 Garner ..... D23/255

(75) Inventors: **Rie Yokoyama**, Kitakyushu (JP);  
**Hajime Kakihana**, Morrow, GA (US);  
**Minoru Tani**, Kitakyushu (JP); **James Piatt**, Los Angeles, CA (US)

\* cited by examiner

*Primary Examiner*—Robert A Delehanty  
(74) *Attorney, Agent, or Firm*—Birch, Stewart, Kolasch & Birch, LLP

(73) Assignee: **Toto Ltd.**, Kitakyushu-Shi (JP)

(\*\*) Term: **14 Years**

(21) Appl. No.: **29/345,731**

(22) Filed: **Oct. 21, 2009**

(30) **Foreign Application Priority Data**

Apr. 22, 2009 (JP) ..... 2009-009347

(51) **LOC (9) Cl.** ..... **23-01**

(52) **U.S. Cl.** ..... **D23/255**

(58) **Field of Classification Search** ..... D23/238–243,  
D23/255–257; 4/676–678; 137/801  
See application file for complete search history.

(56) **References Cited**

**U.S. PATENT DOCUMENTS**

D519,617 S \* 4/2006 Hoernig ..... D23/255  
D522,092 S \* 5/2006 Hoernig ..... D23/238

(57) **CLAIM**

The ornamental design for a spout, as shown and described.

**DESCRIPTION**

FIG. 1 is a perspective view of the top, front and right side of a spout showing our new design;

FIG. 2 is a front view thereof;

FIG. 3 is a rear view thereof;

FIG. 4 is a left side view thereof;

FIG. 5 is a right side view thereof;

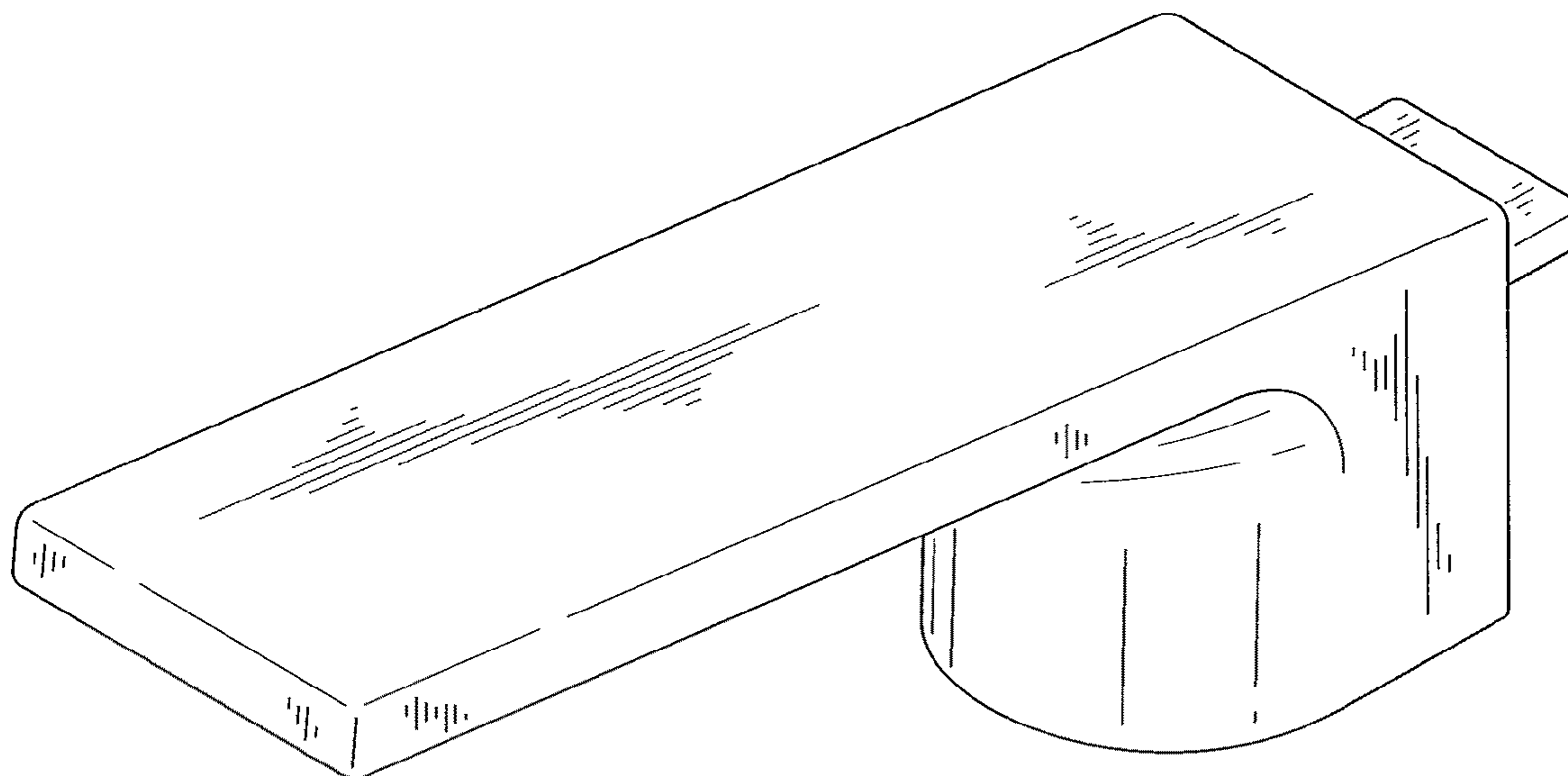
FIG. 6 is a top plan view thereof;

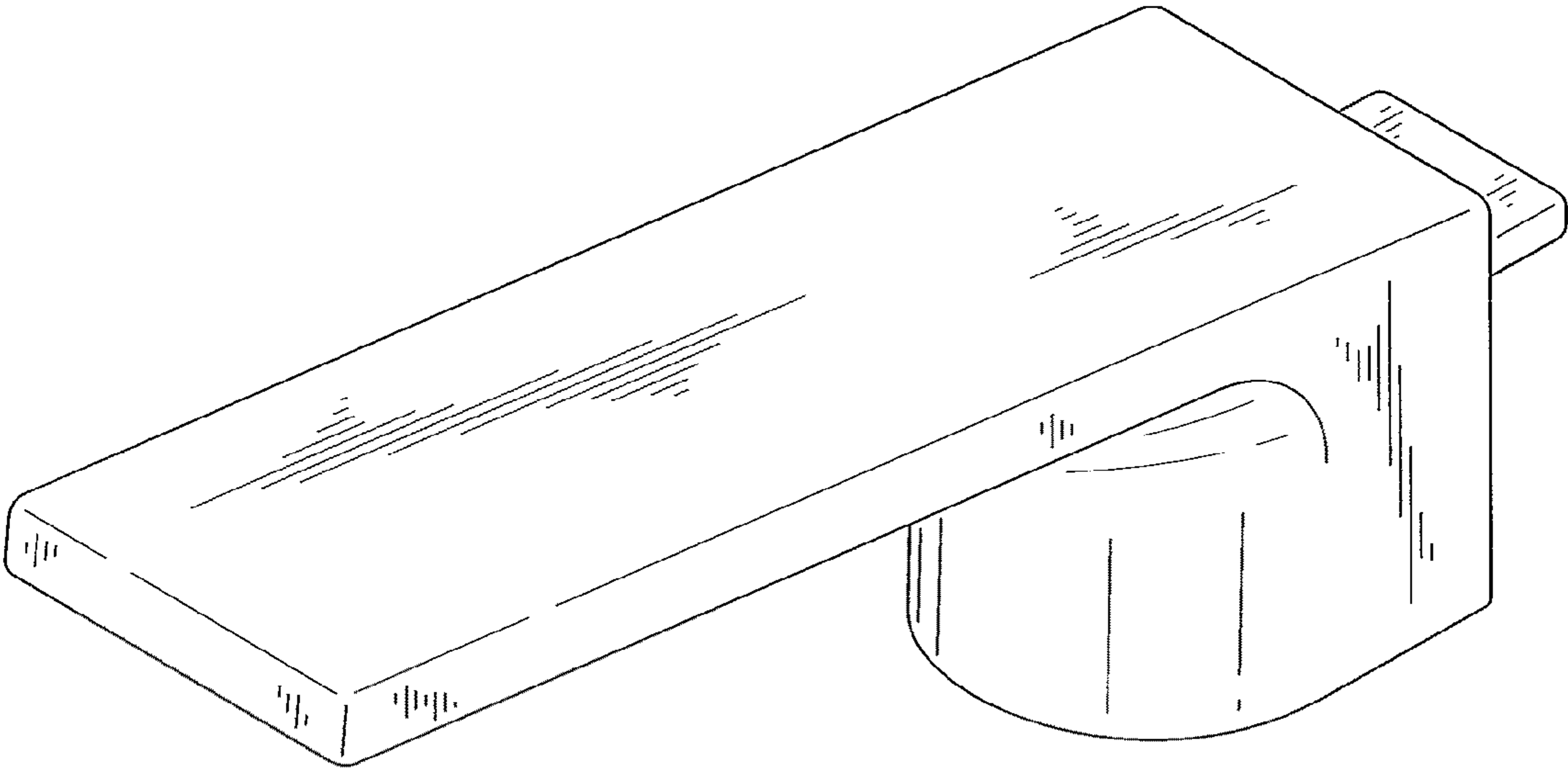
FIG. 7 is a bottom view thereof; and,

FIG. 8 is a perspective view of usage thereof.

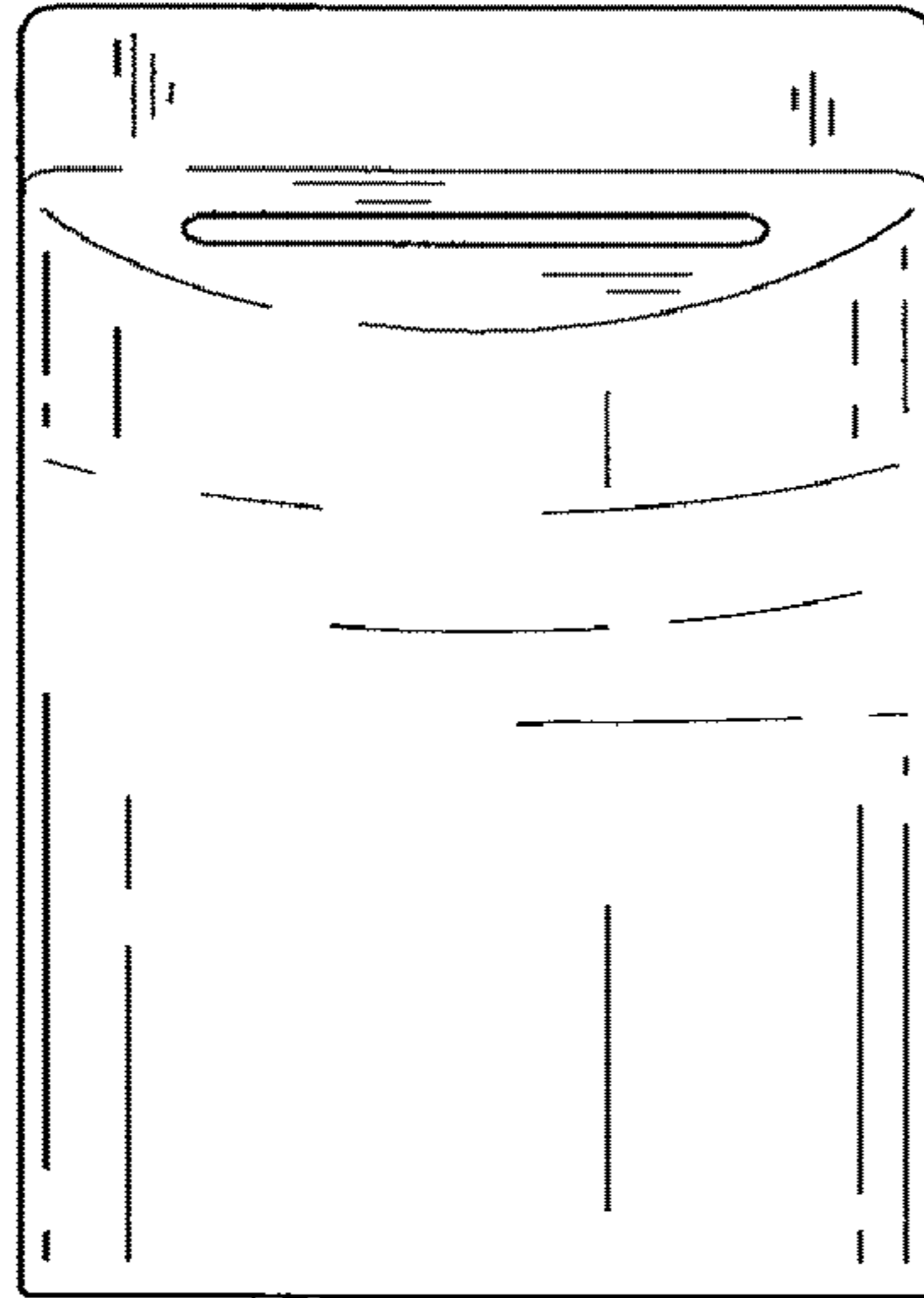
The portion of the article in broken lines are shown for illustrative purposes only and form no part of the claimed design.

**1 Claim, 5 Drawing Sheets**

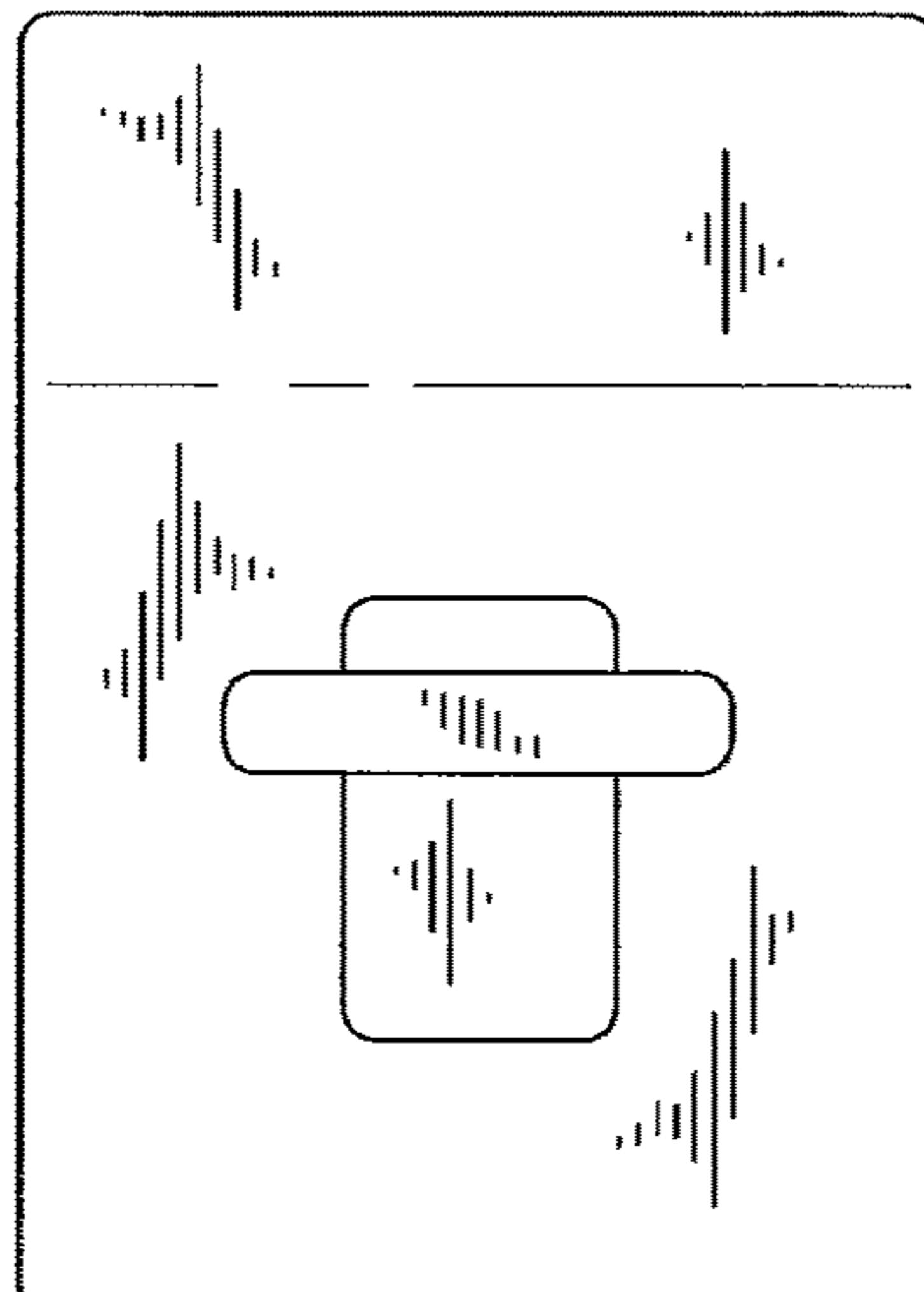




*FIG. 1*



*FIG. 2*



*FIG. 3*

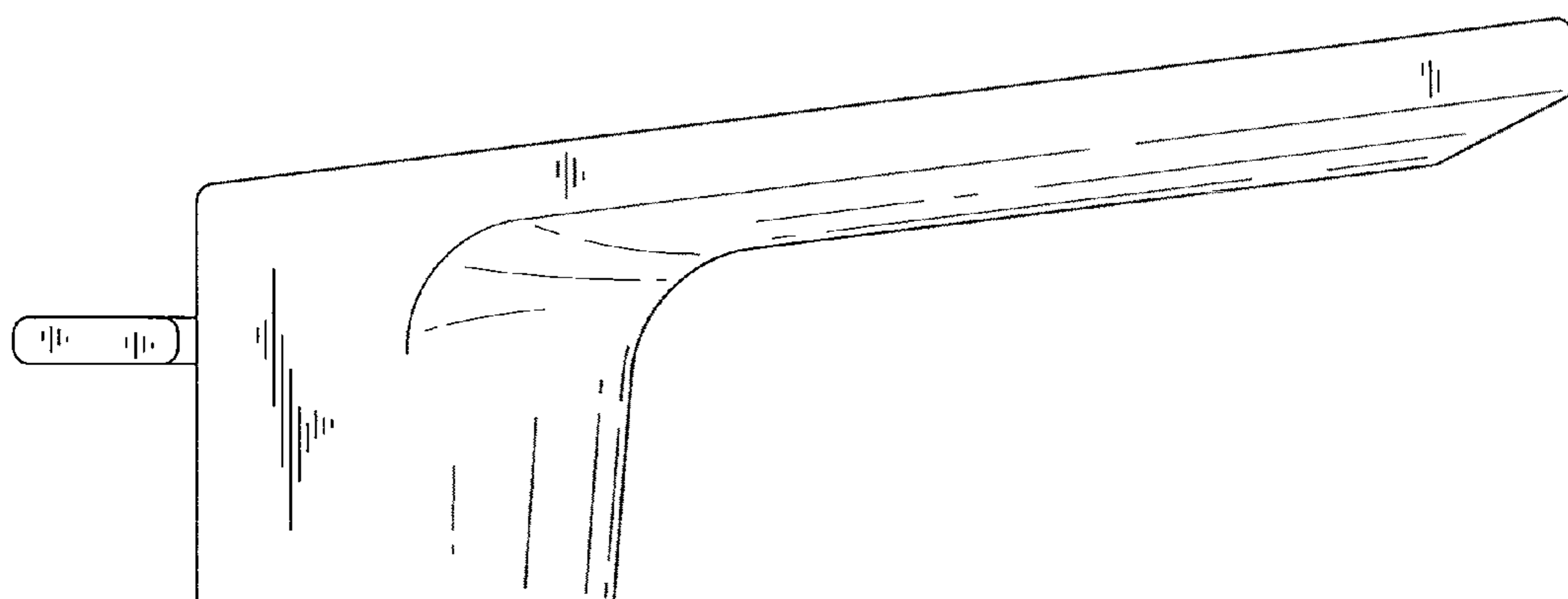


FIG. 4

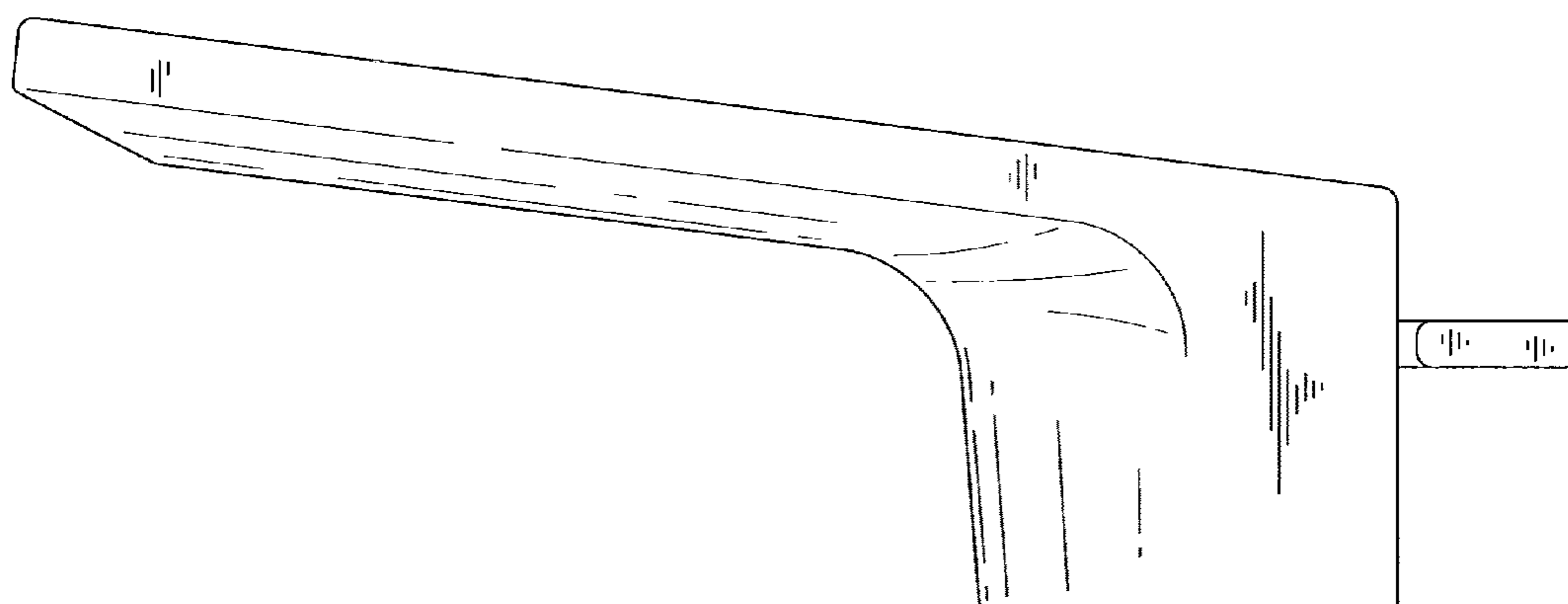
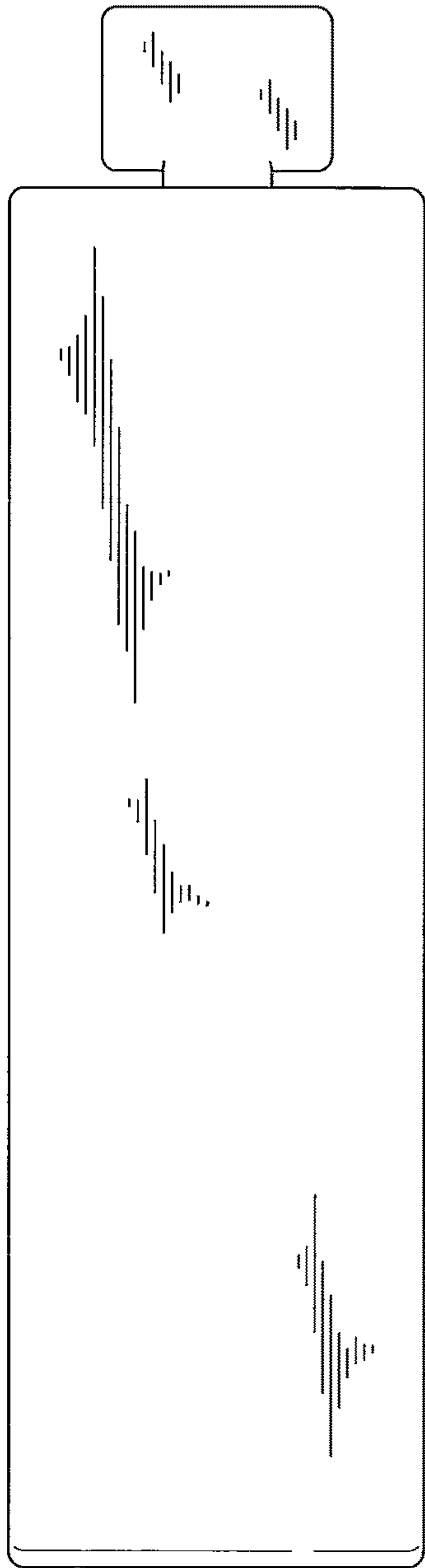
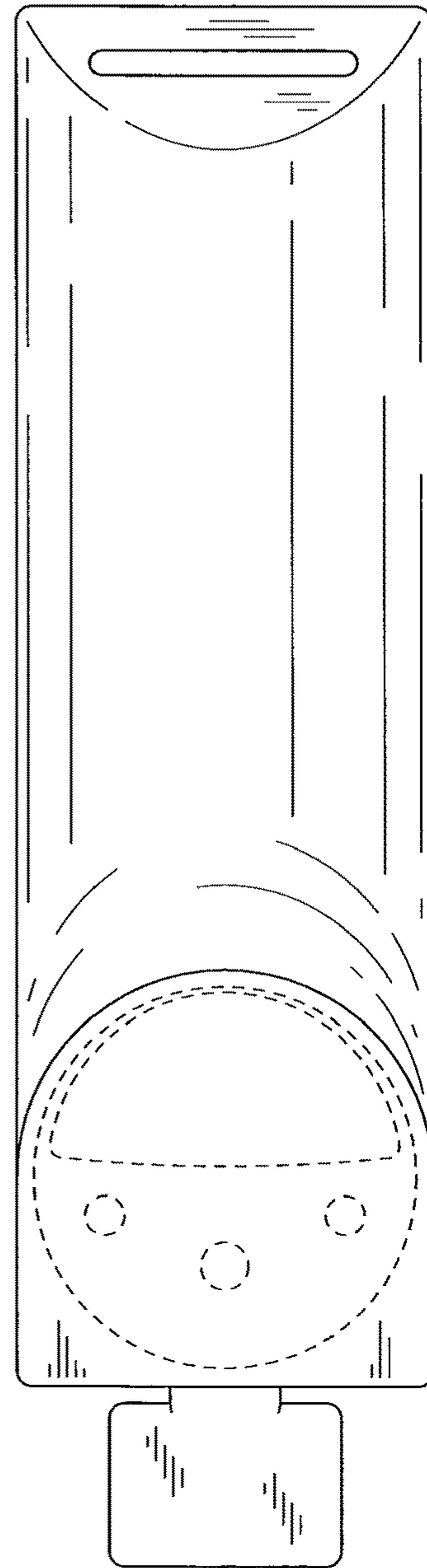


FIG. 5



*FIG. 6*



*FIG. 7*

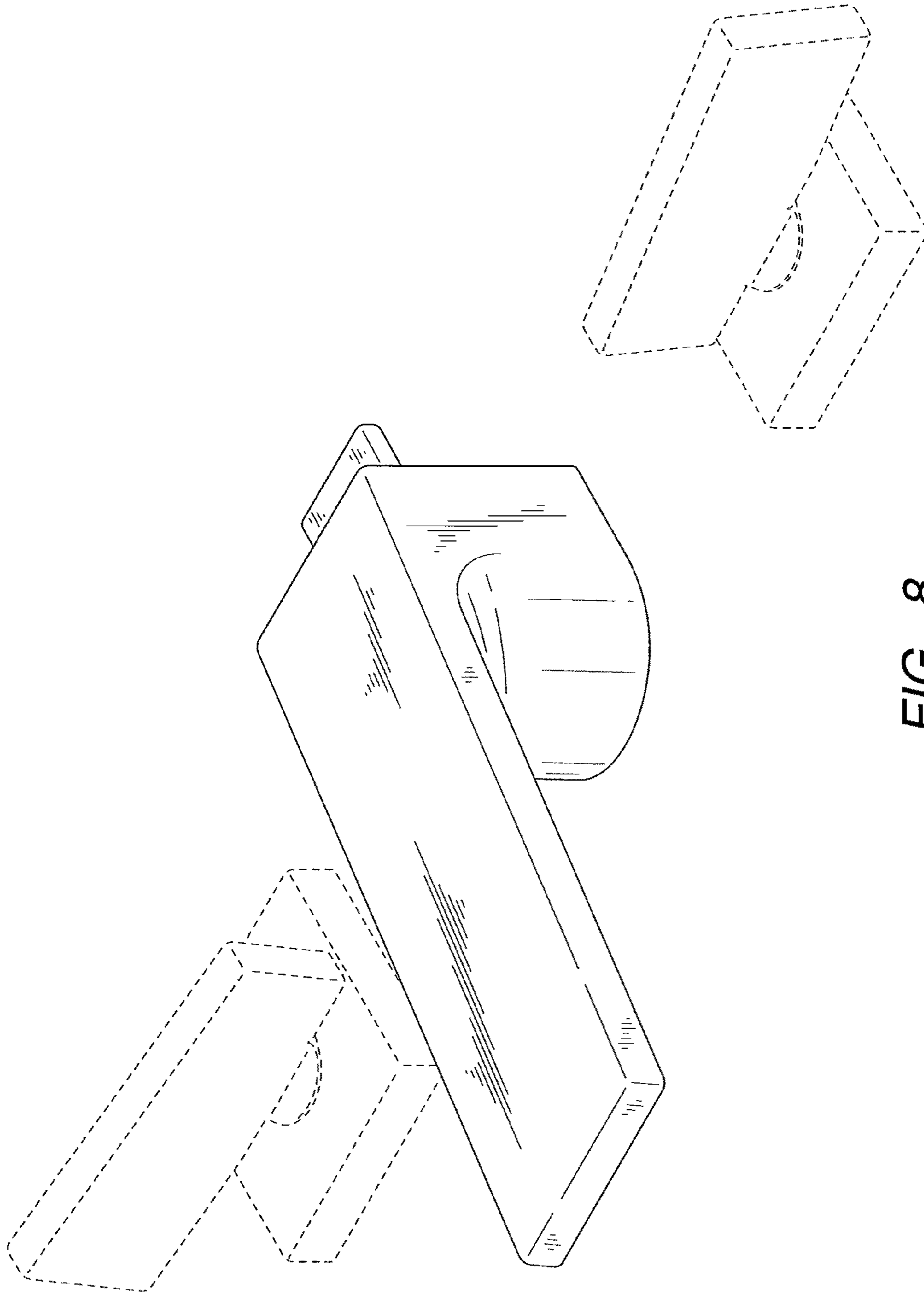


FIG. 8