



US00D631133S

(12) **United States Design Patent**  
**Yoo et al.**

(10) **Patent No.:** **US D631,133 S**  
(45) **Date of Patent:** **\*\* Jan. 18, 2011**

(54) **SHOWERHEAD**

(75) Inventors: **Man Ki Yoo**, Skokie, IL (US); **Julian Giggs**, Hillsdale, MI (US); **Michael Miller**, Portage, MI (US)

(73) Assignee: **Alsons Corporation**, Hillsdale, MI (US)

(\*\*) Term: **14 Years**

(21) Appl. No.: **29/357,281**

(22) Filed: **Mar. 10, 2010**

(51) **LOC (9) Cl.** ..... **23-01**

(52) **U.S. Cl.** ..... **D23/223**

(58) **Field of Classification Search** ..... D23/213,  
D23/223, 229, 230; 239/462, 394, 282–283;  
4/615

See application file for complete search history.

(56) **References Cited**

**U.S. PATENT DOCUMENTS**

D547,420 S \* 7/2007 Lobermeier ..... D23/223  
D578,606 S \* 10/2008 Wu et al. .... D23/223

\* cited by examiner

*Primary Examiner*—Robin V Webster

(74) *Attorney, Agent, or Firm*—Edgar A. Zarkins; Nirav D. Parikh

(57) **CLAIM**

The ornamental design for a showerhead, as shown and described.

**DESCRIPTION**

FIG. 1 is a perspective view of a showerhead showing our new design;

FIG. 2 is a front elevational view thereof;

FIG. 3 is a right side view thereof, the opposite side being a mirror image of the side shown;

FIG. 4 is a top plan view thereof;

FIG. 5 is a bottom view thereof;

FIG. 6 is a perspective view of an alternative embodiment thereof;

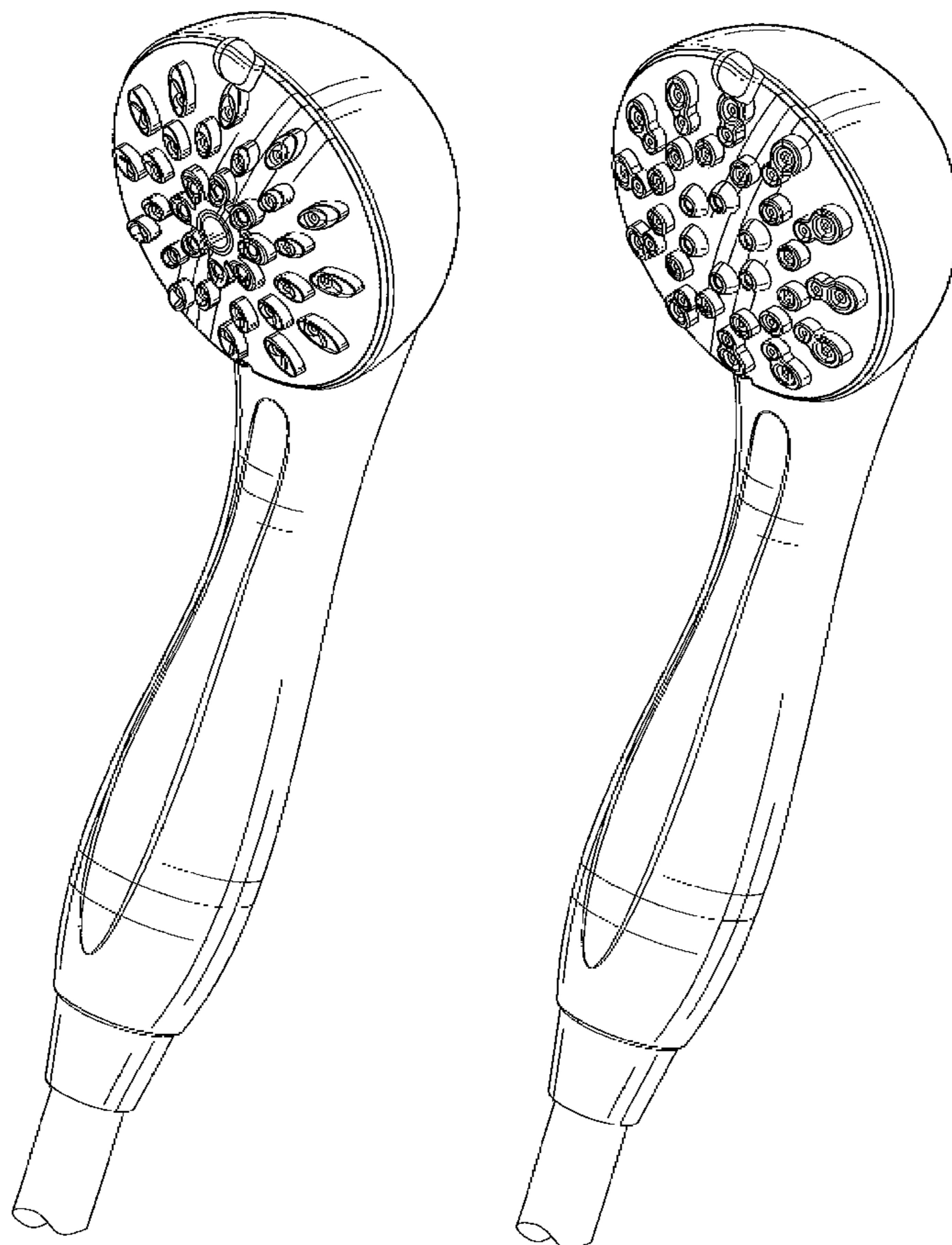
FIG. 7 is a front elevational view thereof;

FIG. 8 is a right side view thereof, the opposite side being a mirror image of the side shown;

FIG. 9 is a top plan view thereof; and,

FIG. 10 is a bottom view thereof.

**1 Claim, 4 Drawing Sheets**



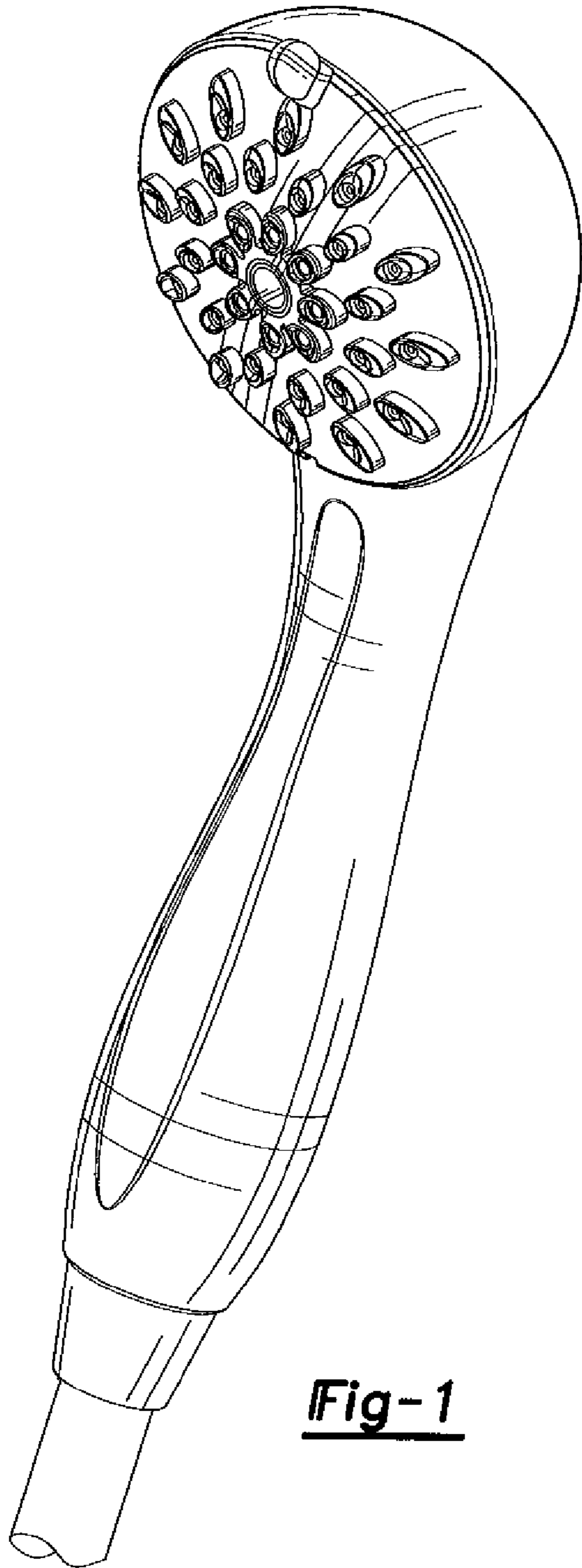


Fig-1

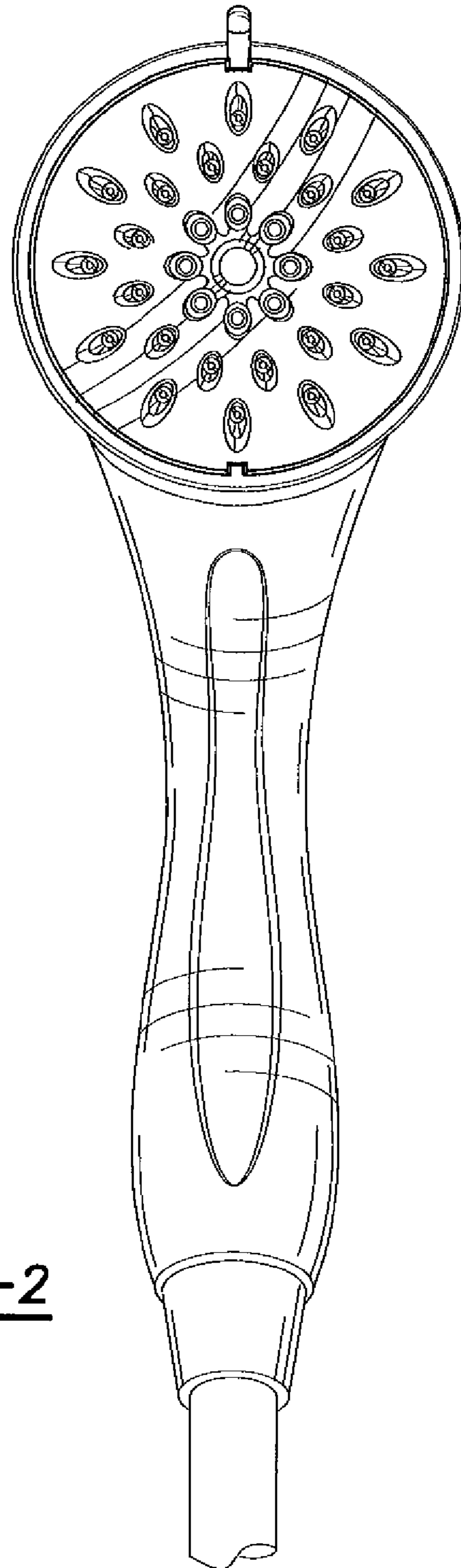


Fig-2

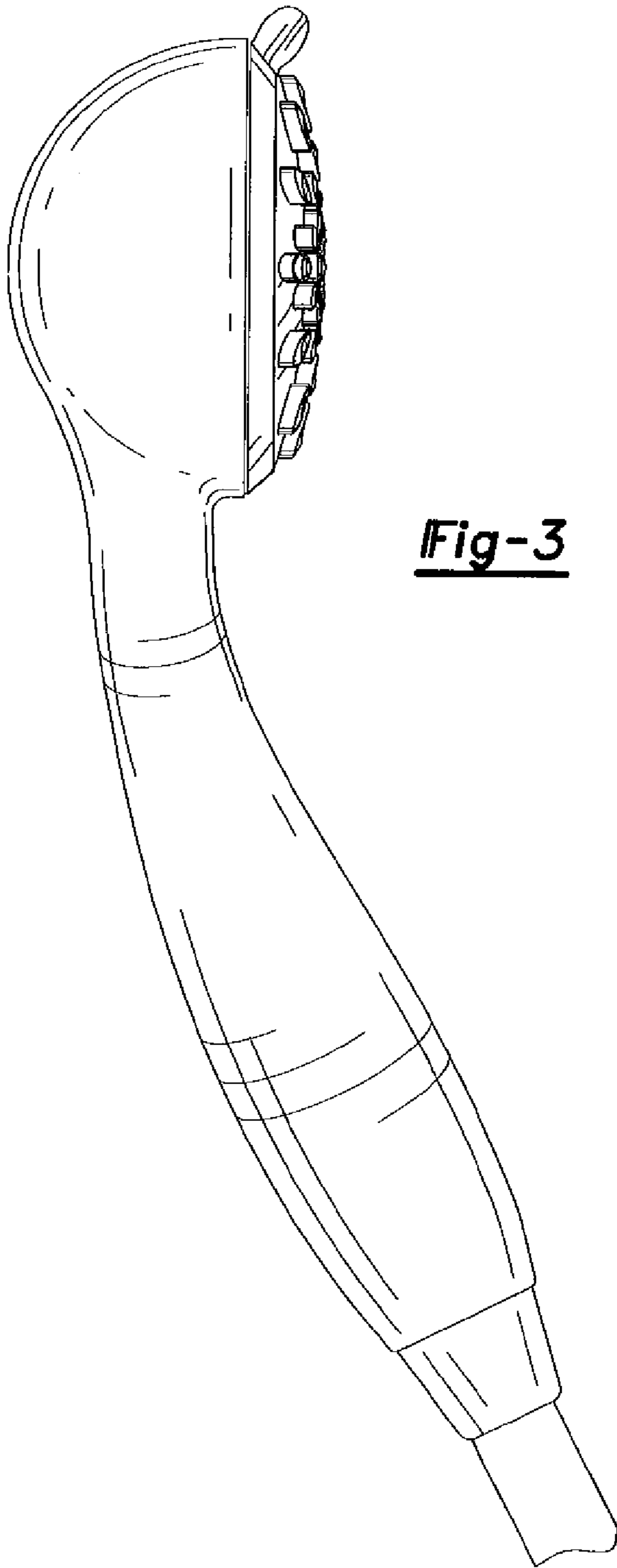


Fig-3

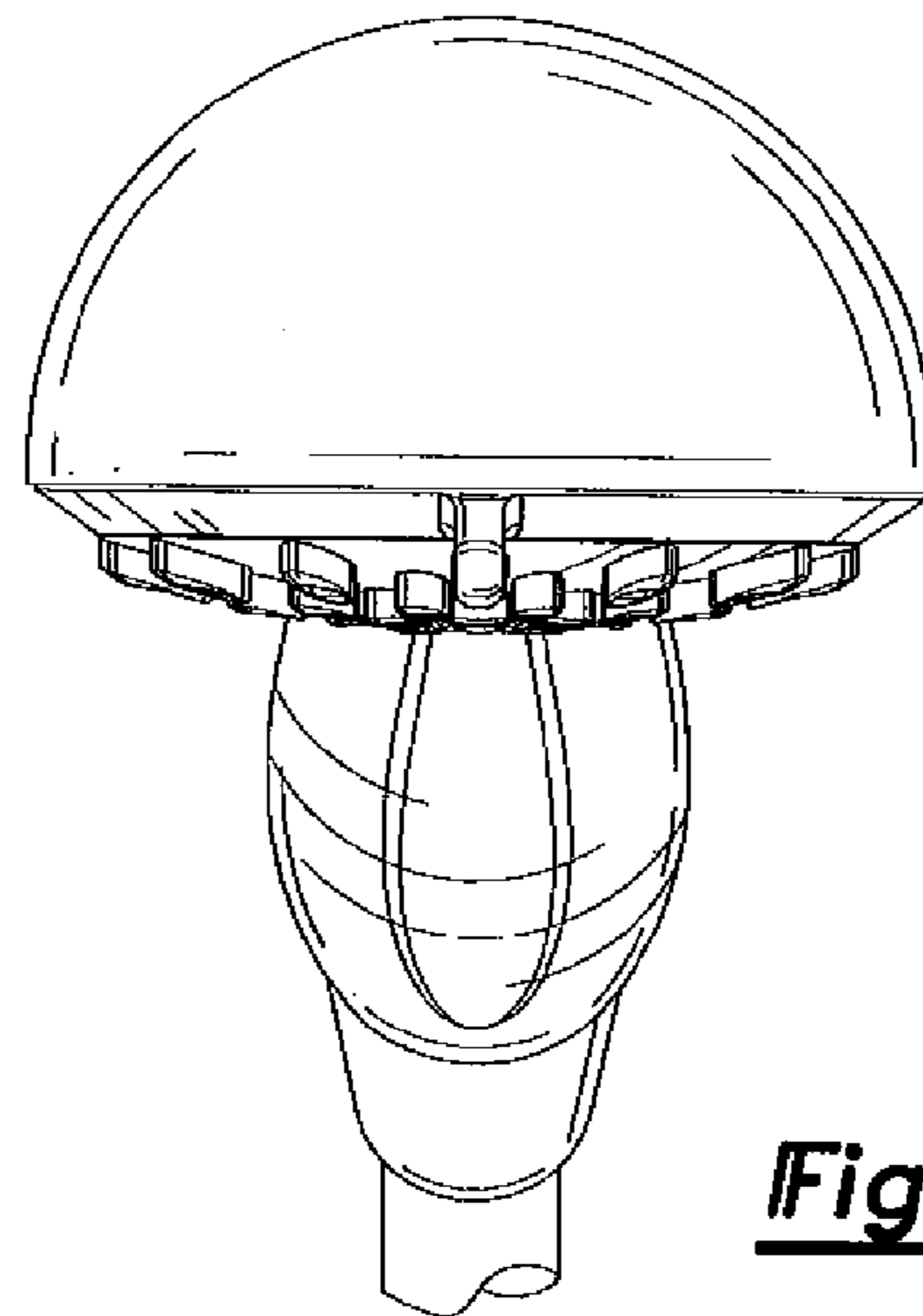


Fig-4

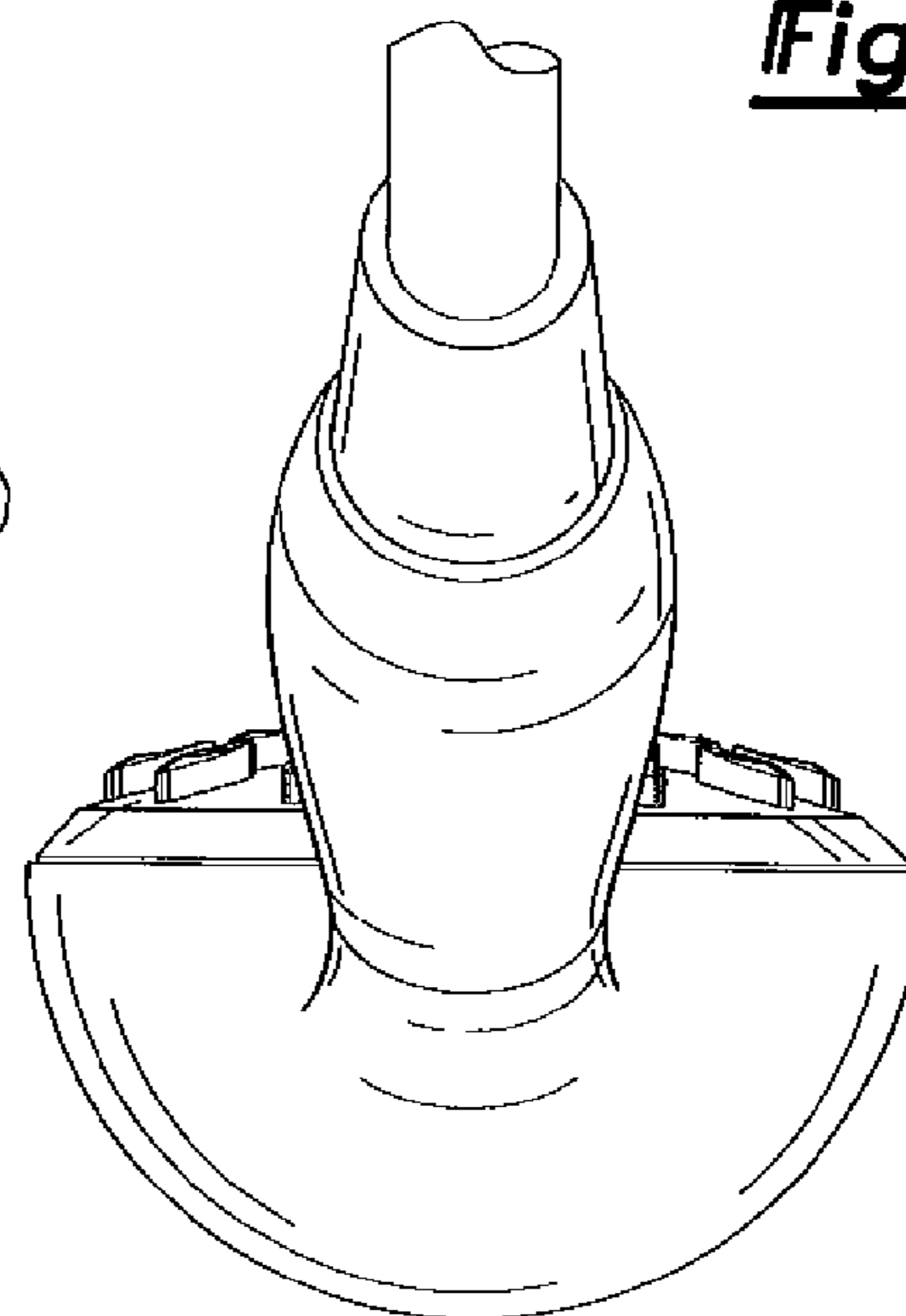


Fig-5

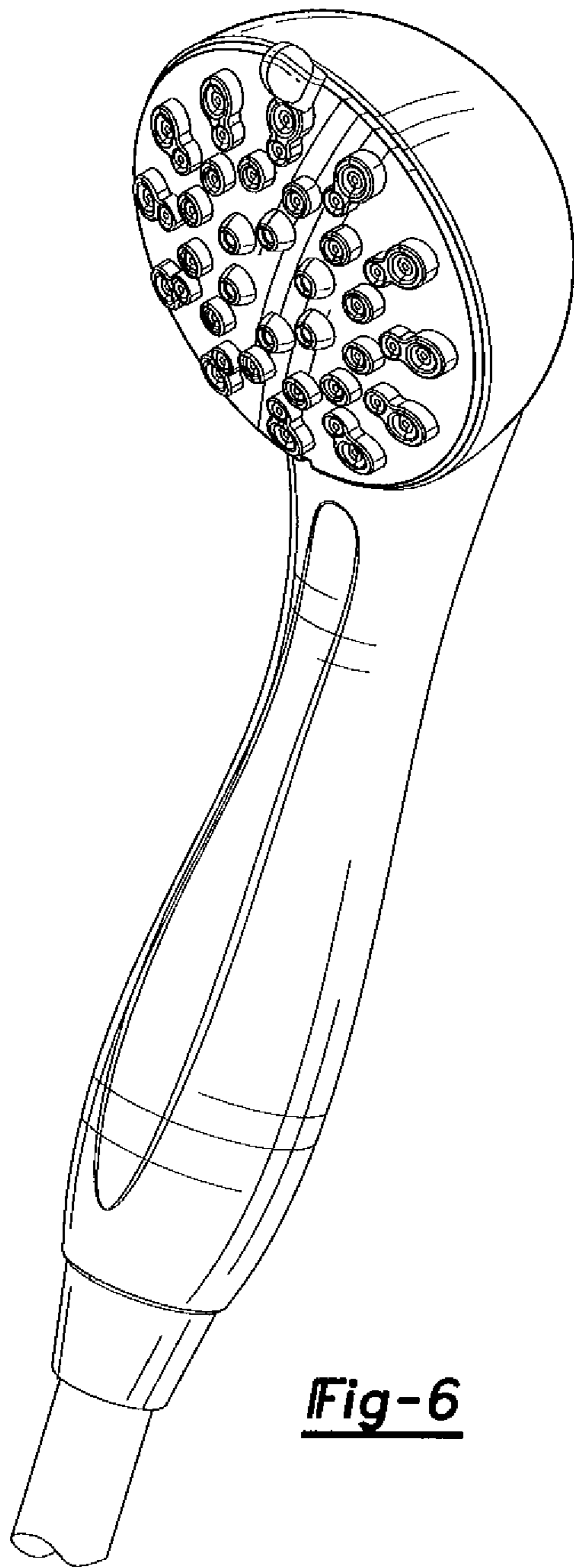


Fig-6

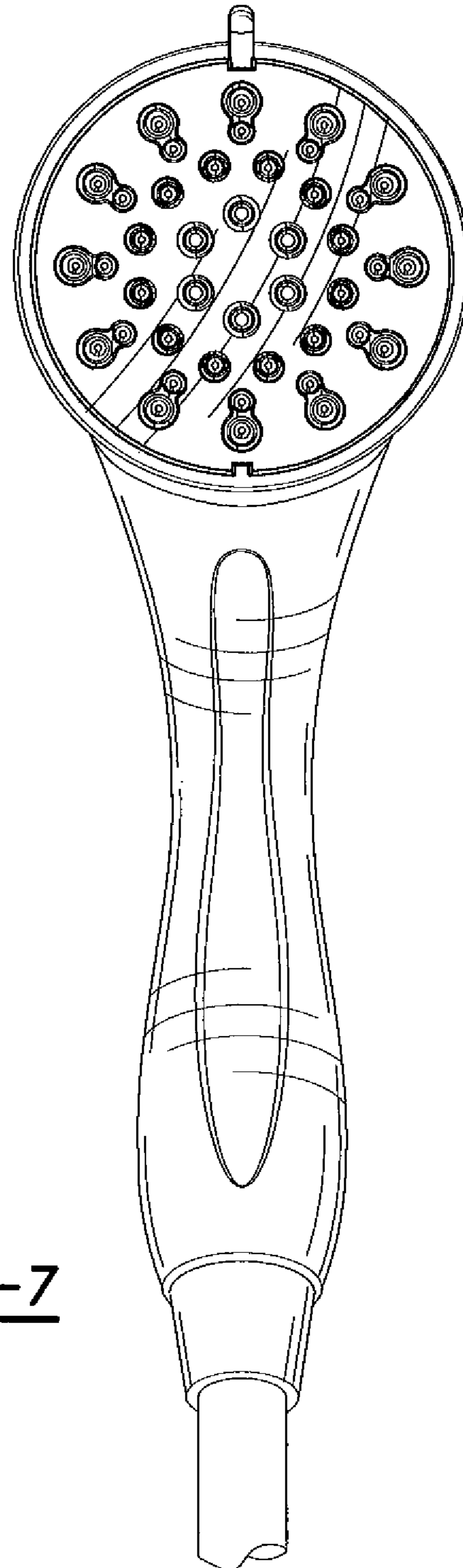


Fig-7



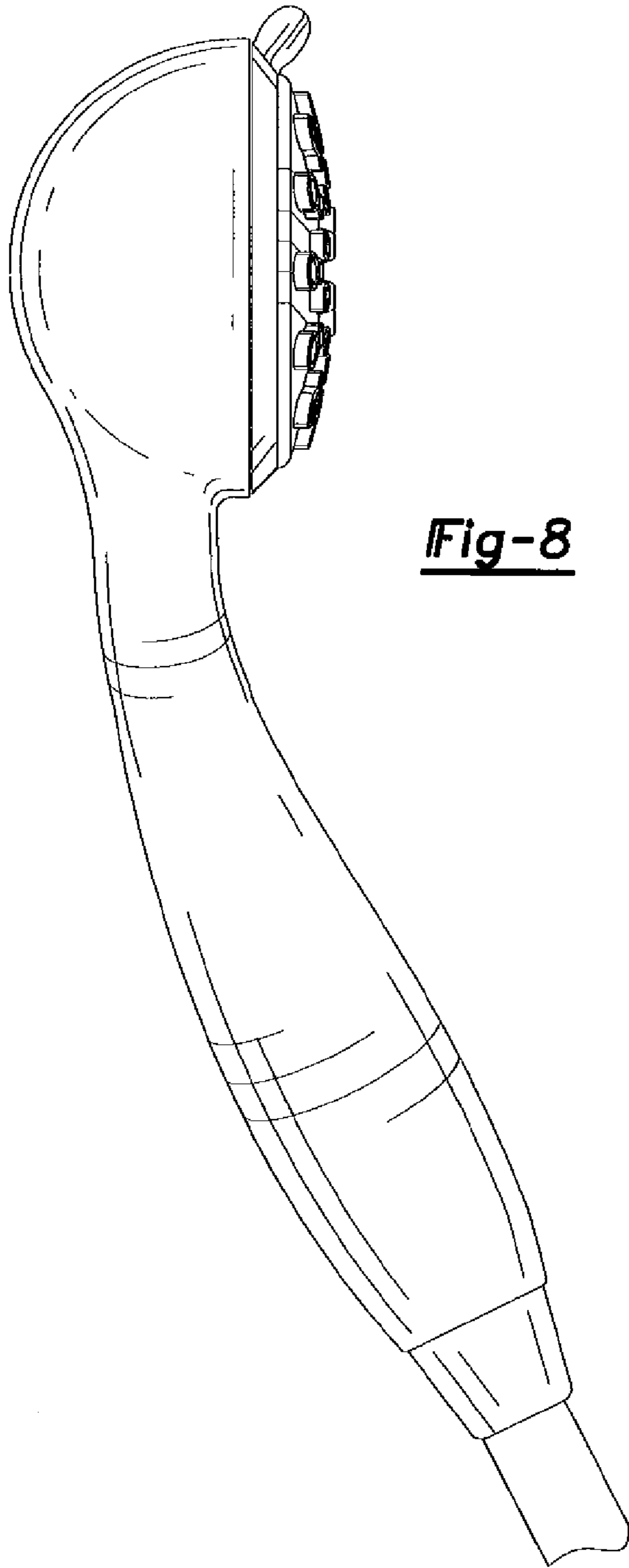


Fig-8

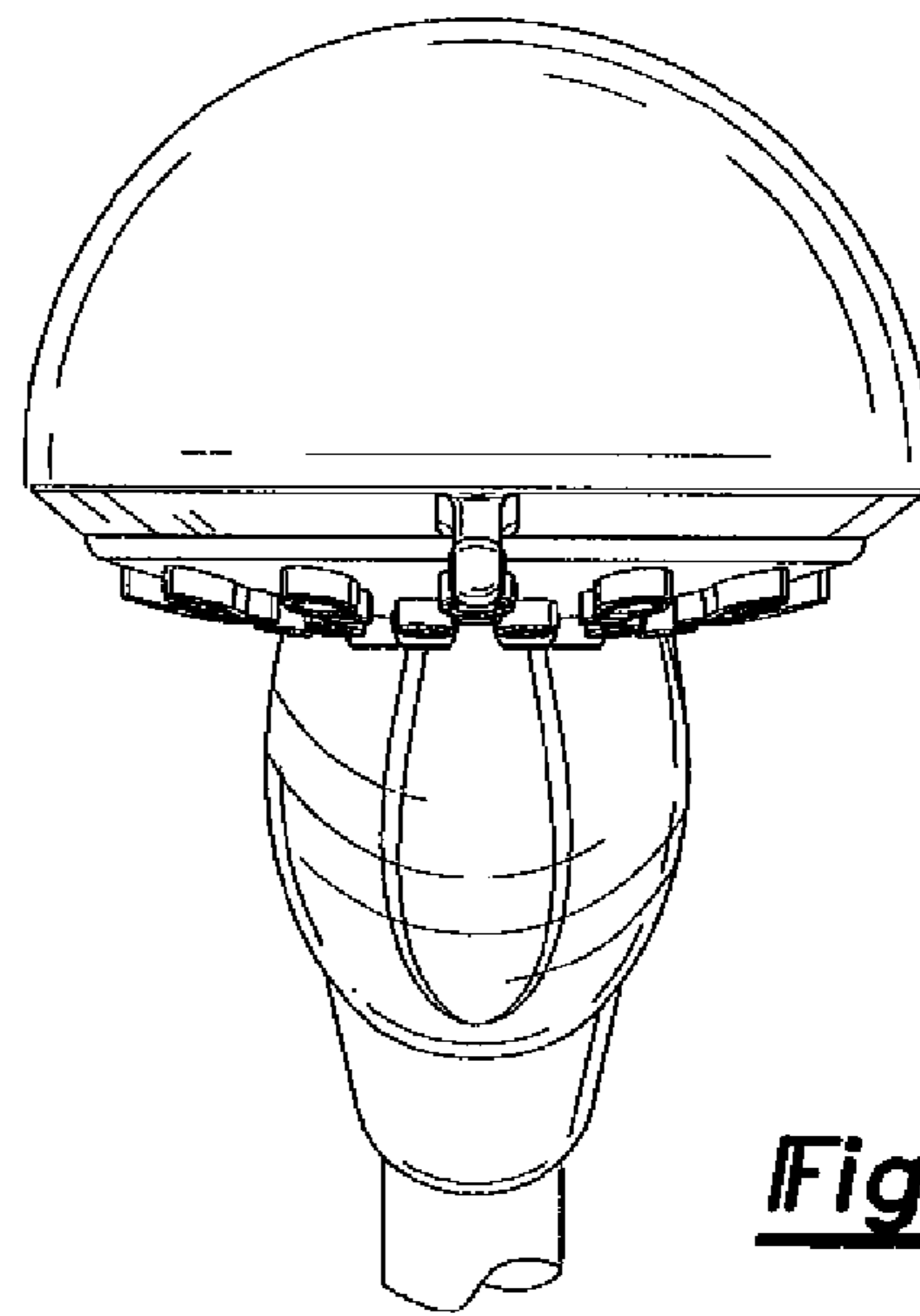


Fig-9

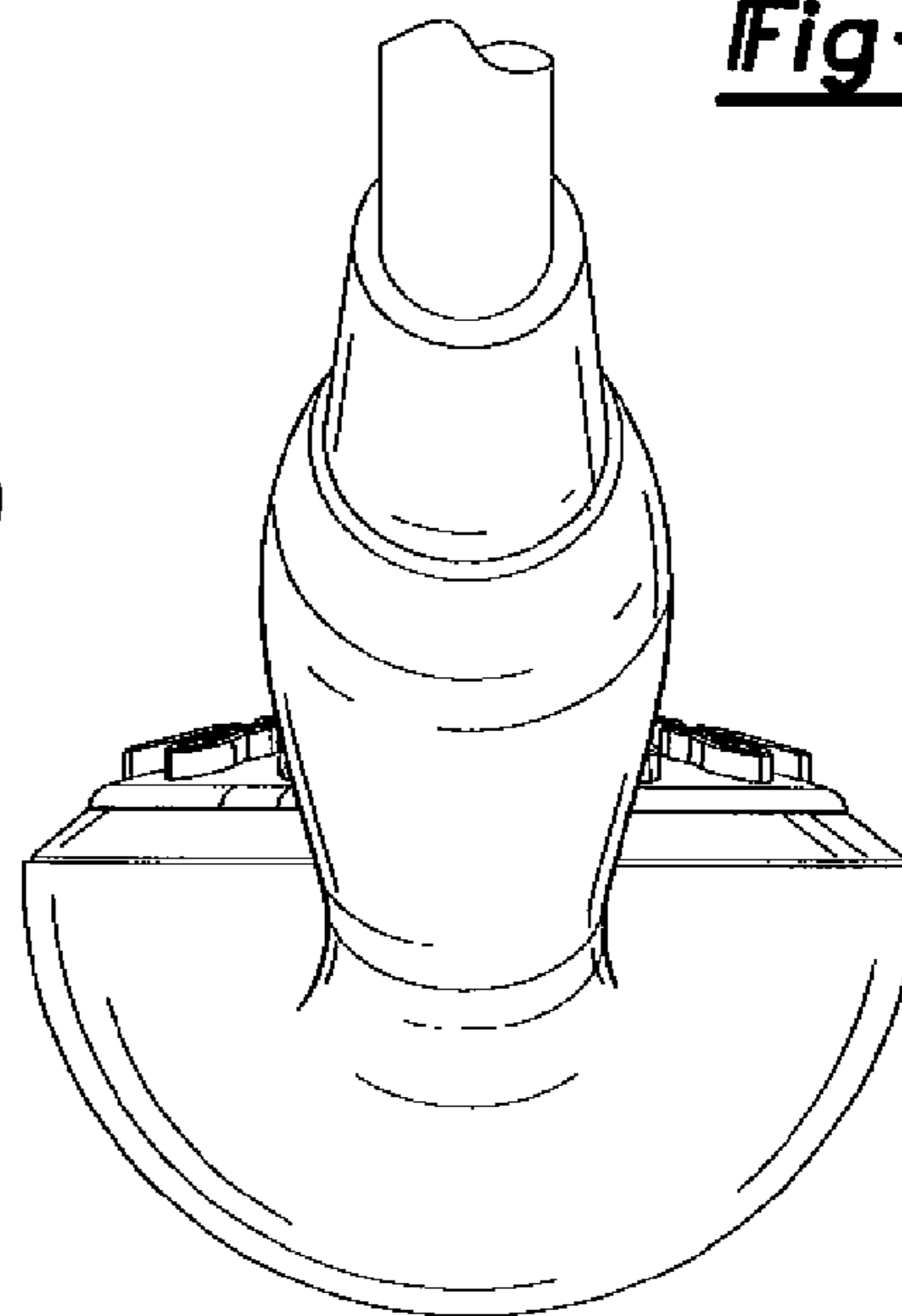


Fig-10