



US00D631132S

(12) **United States Design Patent**  
**Conceicao et al.**

(10) **Patent No.:** **US D631,132 S**  
(45) **Date of Patent:** **\*\* Jan. 18, 2011**

(54) **MULTI-TIERED SPRINKLER HEAD**

(76) Inventors: **Roberto Conceicao**, 40 Royal Crest Dr.,  
Apt. #7, Marlborough, MA (US) 01752;  
**Vanessa Coelho**, 40 Royal Crest Dr.,  
Apt. #7, Marlborough, MA (US) 01752

(\*\*) Term: **14 Years**

(21) Appl. No.: **29/350,997**

(22) Filed: **Nov. 25, 2009**

(51) **LOC (9) Cl.** ..... **23-01**

(52) **U.S. Cl.** ..... **D23/214; D23/217; D23/218**

(58) **Field of Classification Search** ..... **D23/213,**  
**D23/214, 217, 218; 239/200–206**

See application file for complete search history.

(56) **References Cited**

**U.S. PATENT DOCUMENTS**

3,082,961	A *	3/1963	Hruby, Jr.	.....	239/598
4,099,670	A	7/1978	Cole et al.		
D276,453	S	11/1984	DeVroom		
5,133,501	A	7/1992	Marshall		
D334,047	S *	3/1993	Oddo et al.	.....	D23/218
D371,426	S *	7/1996	Darin	.....	D23/213
D388,502	S *	12/1997	Kah, III	.....	D23/214

D404,115	S *	1/1999	Wills	.....	D23/213
D466,971	S *	12/2002	Clivio	.....	D23/214
6,629,648	B1	10/2003	Jones		
6,874,696	B1	4/2005	Erickson et al.		
7,048,208	B1 *	5/2006	Pruitt et al.	.....	239/461
D523,927	S *	6/2006	Crowley	.....	D23/214
7,500,620	B2	3/2009	Cordua		

\* cited by examiner

*Primary Examiner*—Robin V Webster

(74) *Attorney, Agent, or Firm*—Kyle Fletcher

(57) **CLAIM**

The ornamental design for the multi-tiered sprinkler head, as shown and described.

**DESCRIPTION**

FIG. 1 is a front view of the multi-tiered sprinkler head in a fully extended state.

FIG. 2 is a rear view of the claimed design.

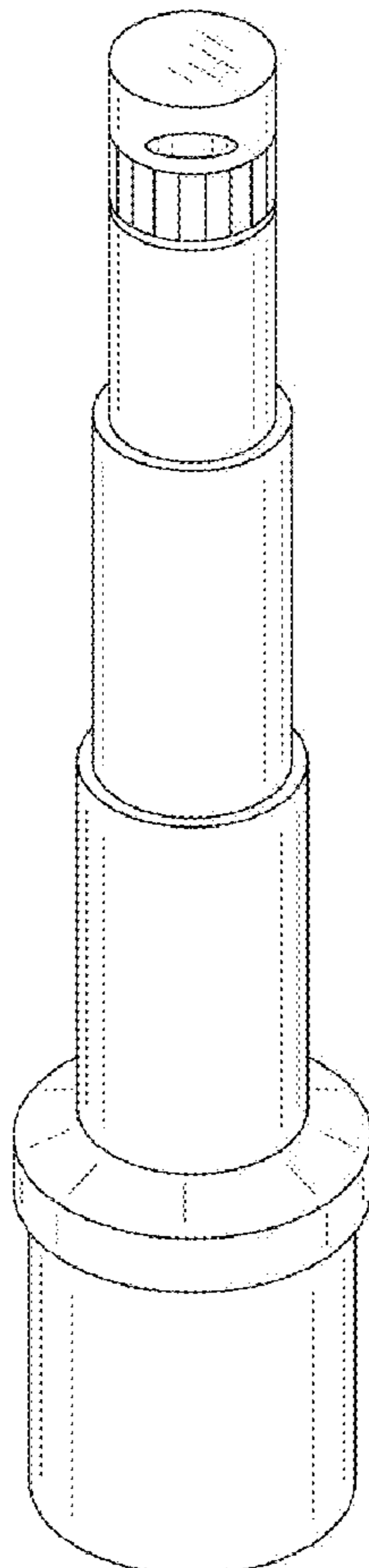
FIG. 3 is a left side view of the claimed design.

FIG. 4 is a top view of the claimed design.

FIG. 5 is a bottom view of the claimed design; and,

FIG. 6 is an isometric view of the claimed design.

**1 Claim, 3 Drawing Sheets**



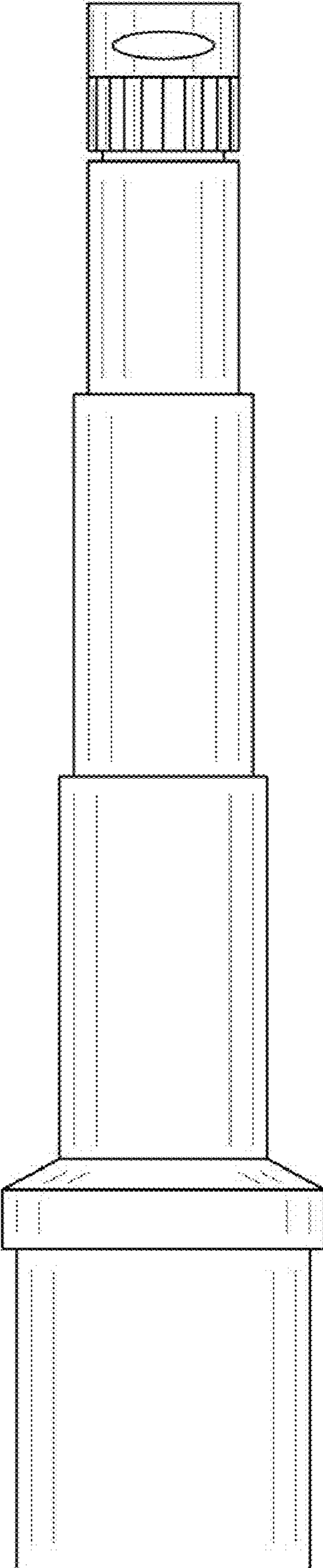


FIG. 1

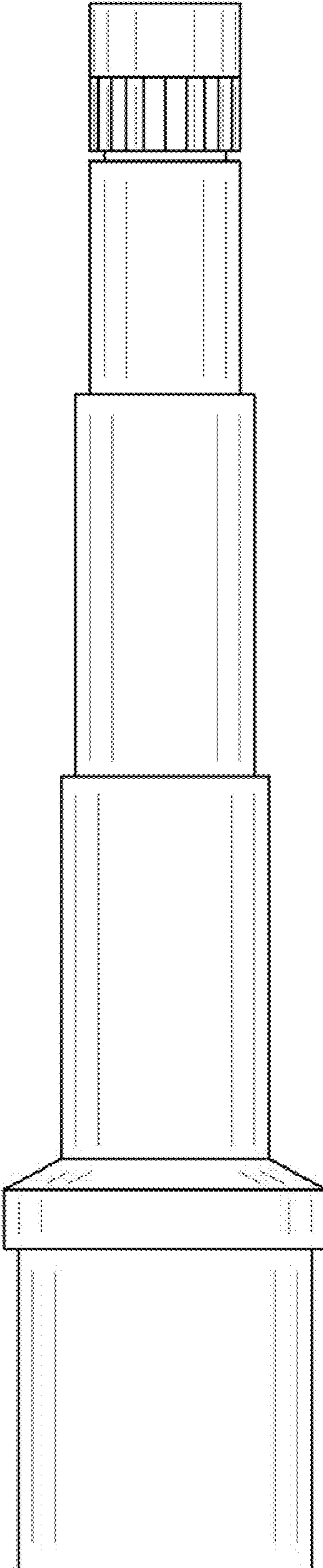


FIG. 2

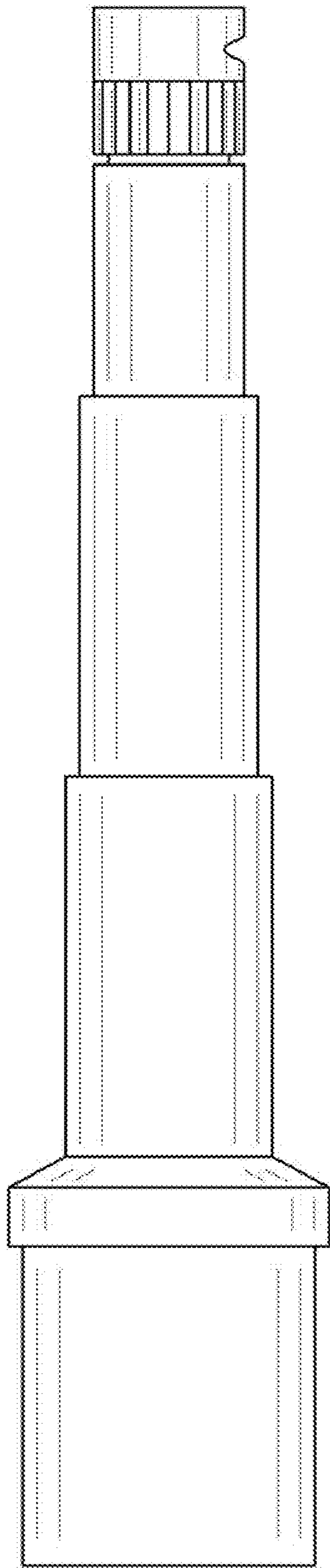


FIG. 3

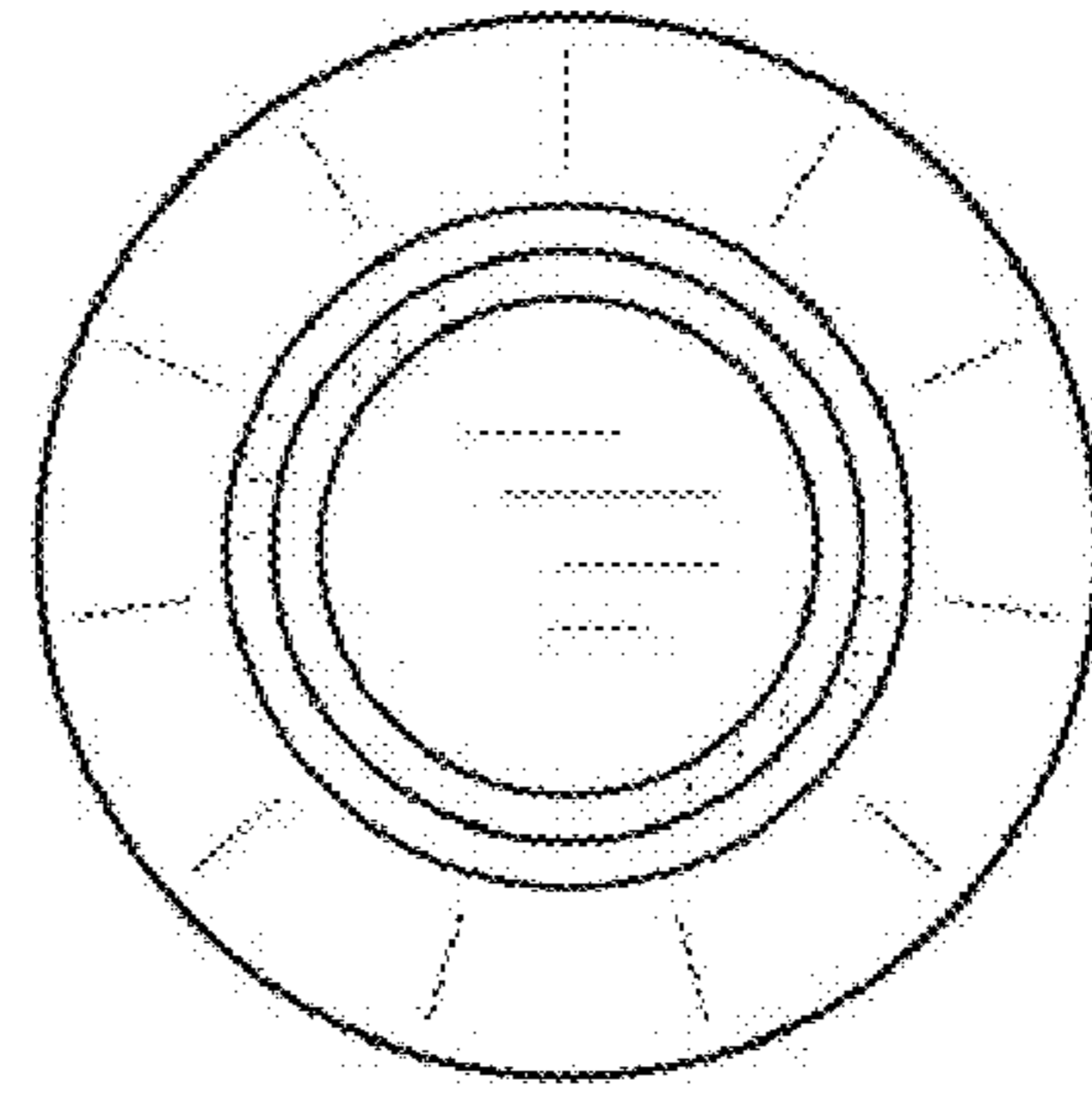


FIG. 4

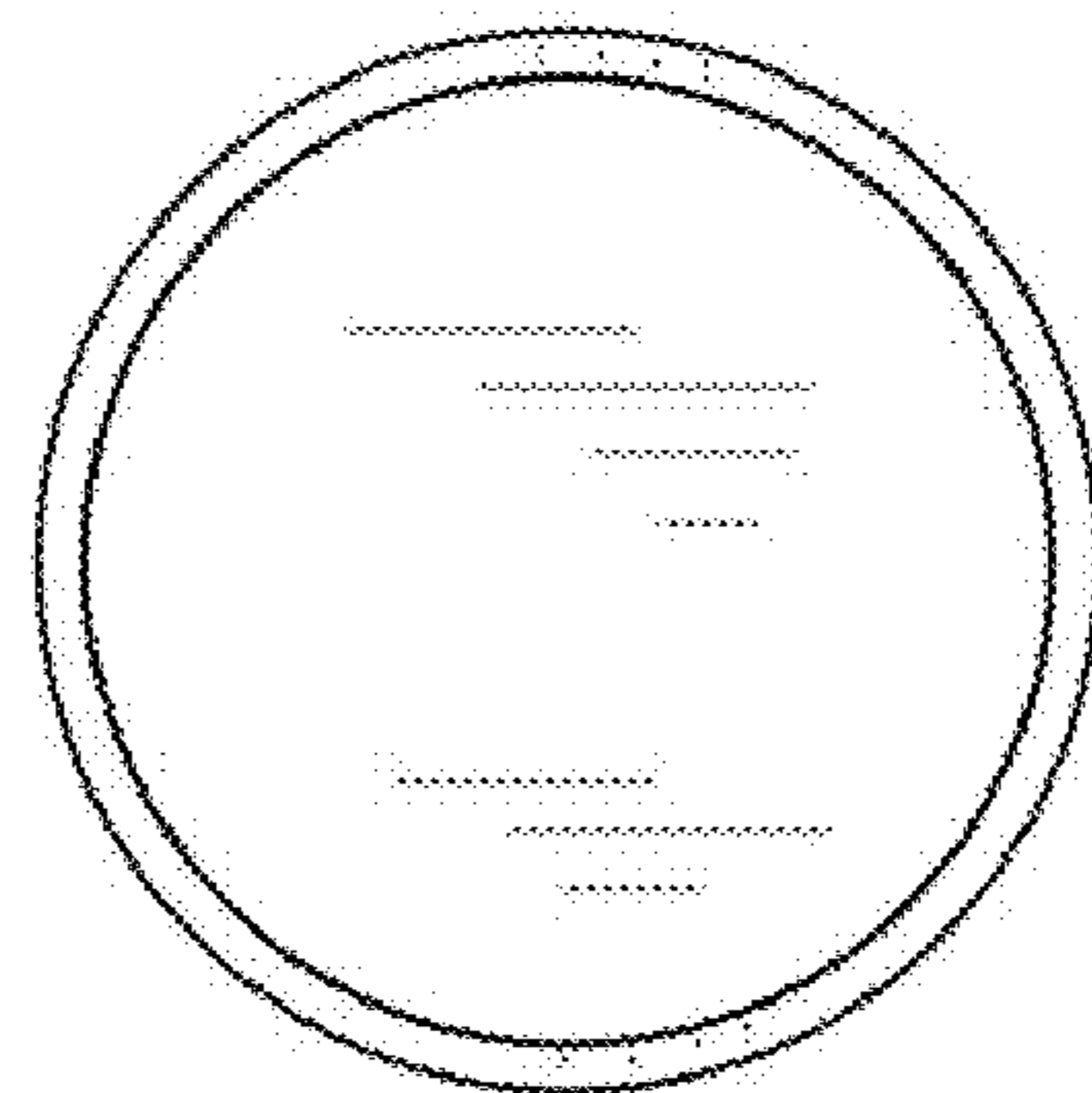


FIG. 5

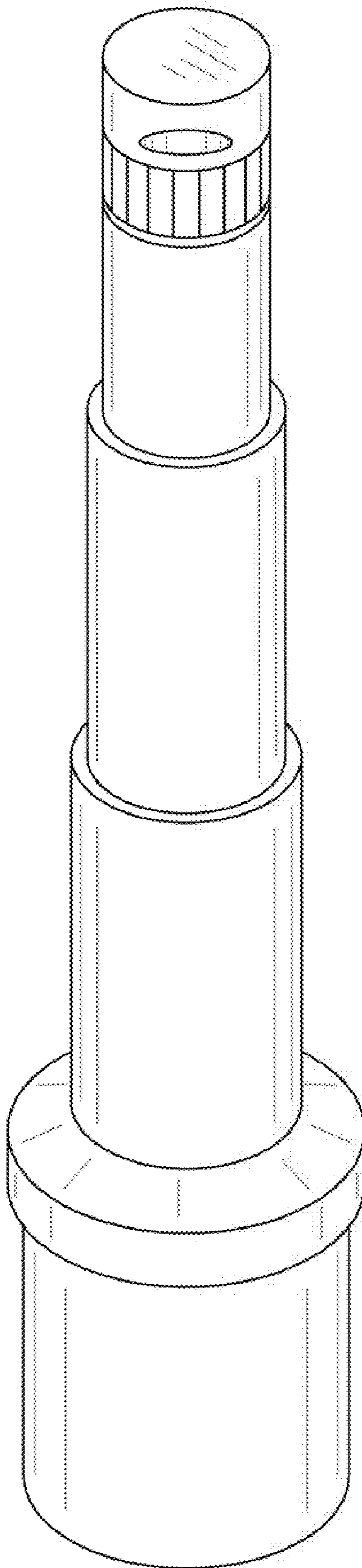


FIG. 6