



US00D631126S

(12) **United States Design Patent**
Rosendahl

(10) **Patent No.:** **US D631,126 S**

(45) **Date of Patent:** **** Jan. 18, 2011**

(54) **HAT FOR MOSQUITO TRAP**

(75) Inventor: **Rickard Rosendahl**, Kullavik (SE)

(73) Assignee: **Amplecta AB**, Molndal (SE)

(**) Term: **14 Years**

(21) Appl. No.: **29/347,707**

(22) Filed: **Apr. 15, 2010**

(51) **LOC (9) Cl.** **22-06**

(52) **U.S. Cl.** **D22/122**

(58) **Field of Classification Search** D22/119–125;
43/107, 112–113, 122, 124, 132.1, 133, 139;
D29/102, 107; D2/865, 870

See application file for complete search history.

(56) **References Cited**

U.S. PATENT DOCUMENTS

D467,987 S *	12/2002	Lin et al.	D22/122
D491,247 S *	6/2004	Chuang et al.	D22/122
D492,381 S *	6/2004	Chuang et al.	D22/122
D514,656 S *	2/2006	Jean	D22/122

* cited by examiner

Primary Examiner—Catherine R Oliver
(74) *Attorney, Agent, or Firm*—Harness, Dickey & Pierce, P.L.C.

(57) **CLAIM**

The ornamental design for a hat for a mosquito trap, as shown and described.

DESCRIPTION

FIG. 1 is a perspective view of the hat for a mosquito trap showing my new design;

FIG. 2 is a front elevational view thereof

FIG. 3 is a top elevational view thereof;

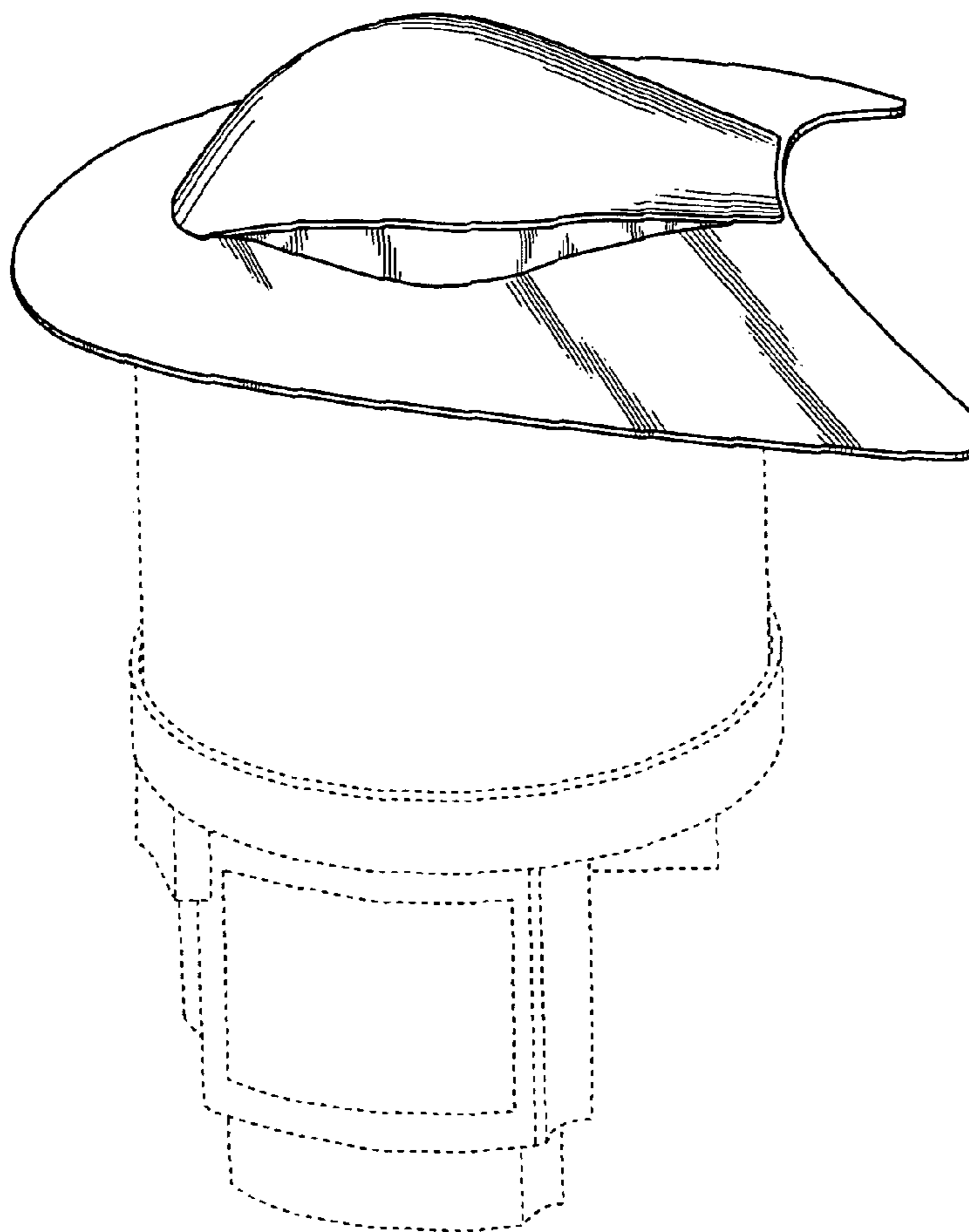
FIG. 4 is a side elevational view thereof;

FIG. 5 is a rear elevational view thereof; and,

FIG. 6 is a side elevational view thereof, the left side elevational view being a mirror image thereof.

The broken line showing of environment in the drawing is included for the purpose of illustrating only and forms no part of the claimed design.

1 Claim, 6 Drawing Sheets



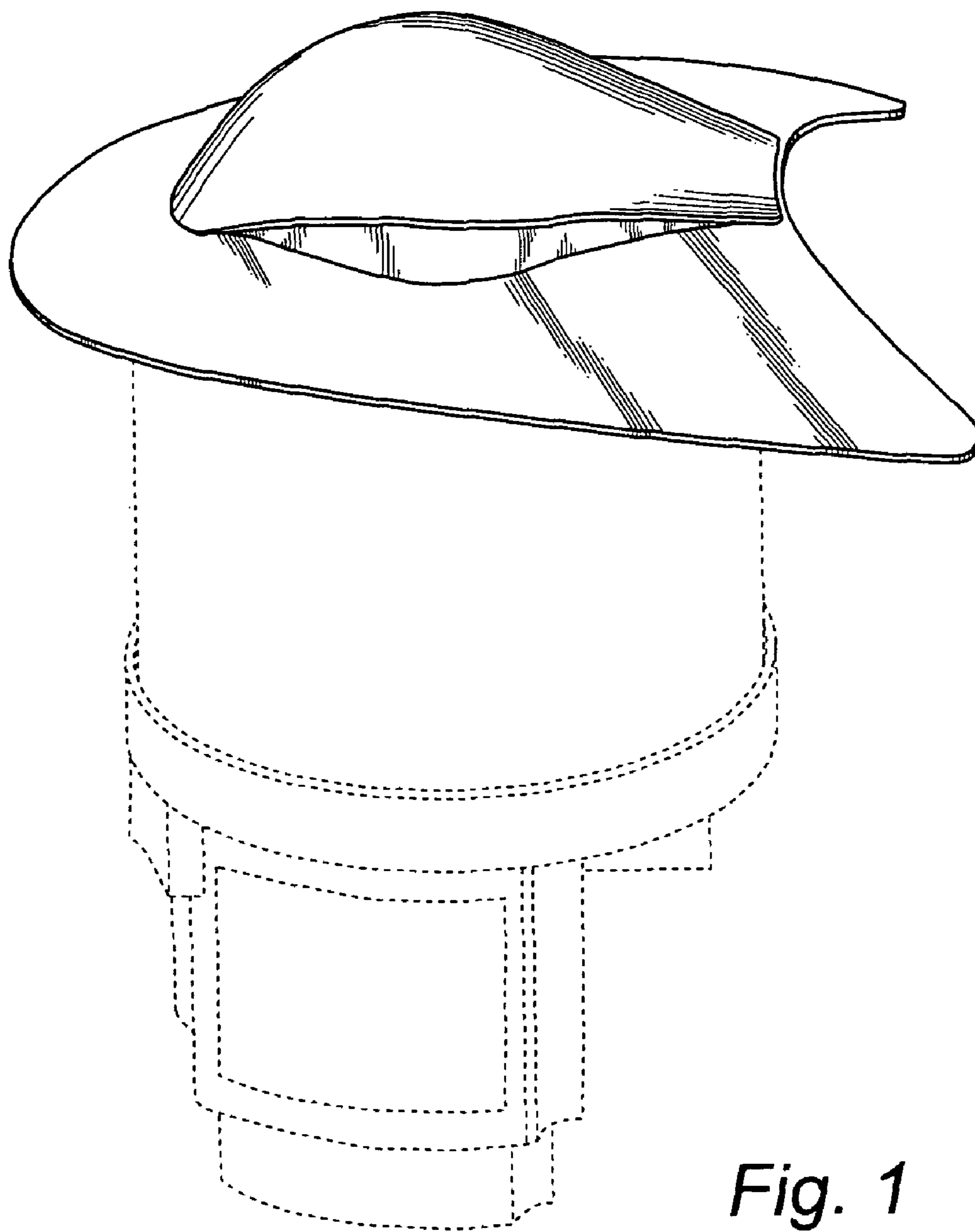


Fig. 1

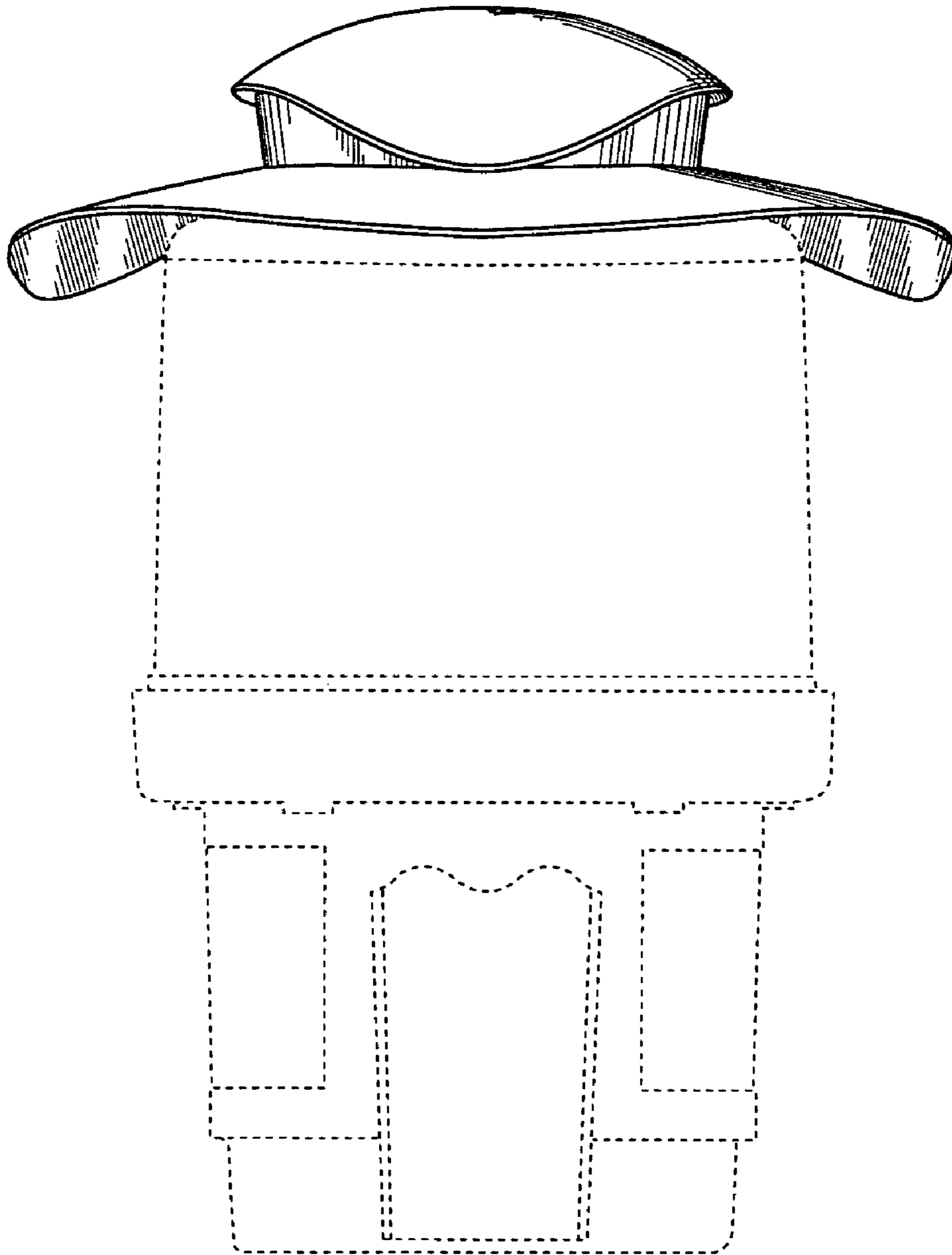


Fig. 2

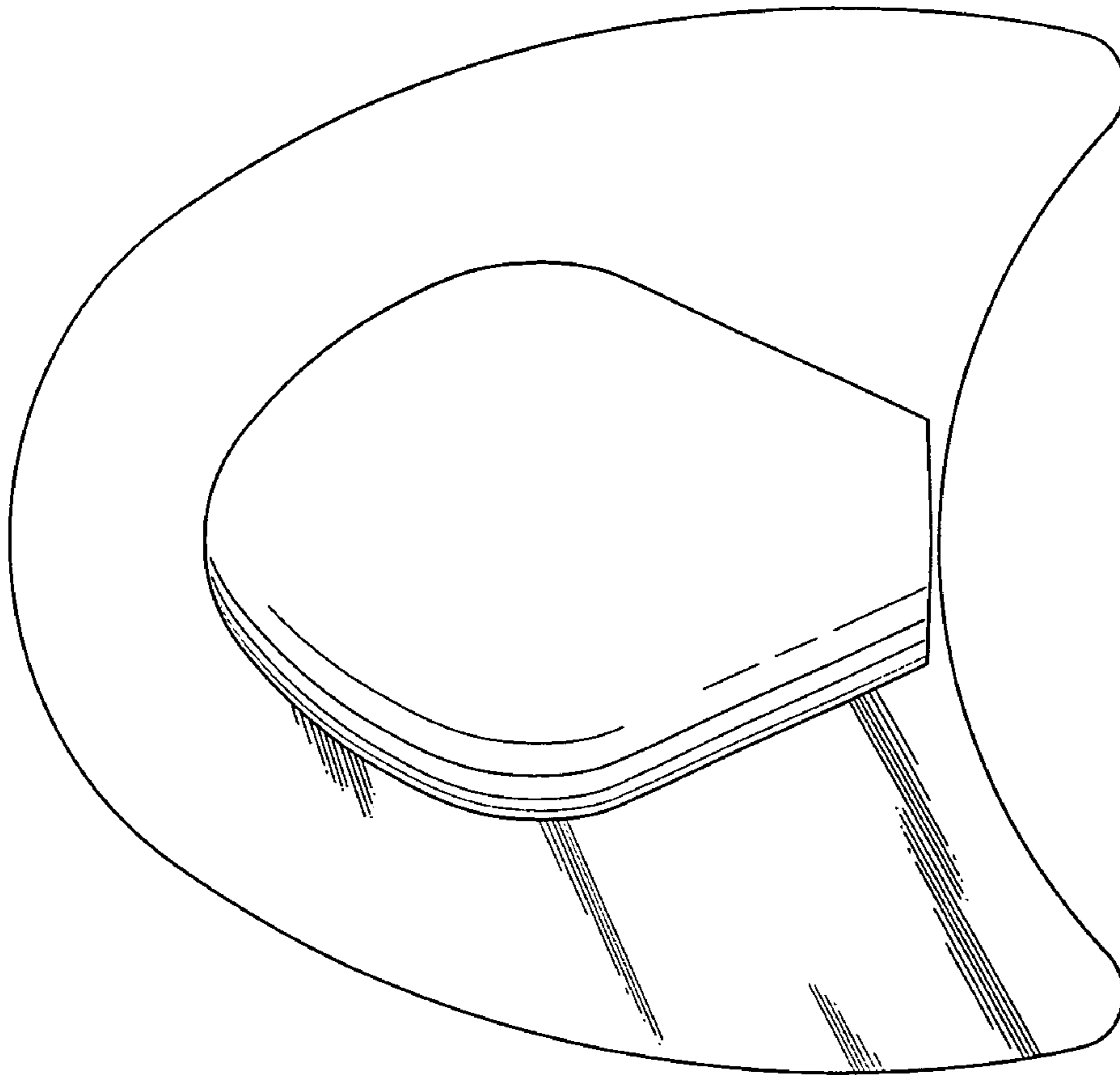


Fig. 3

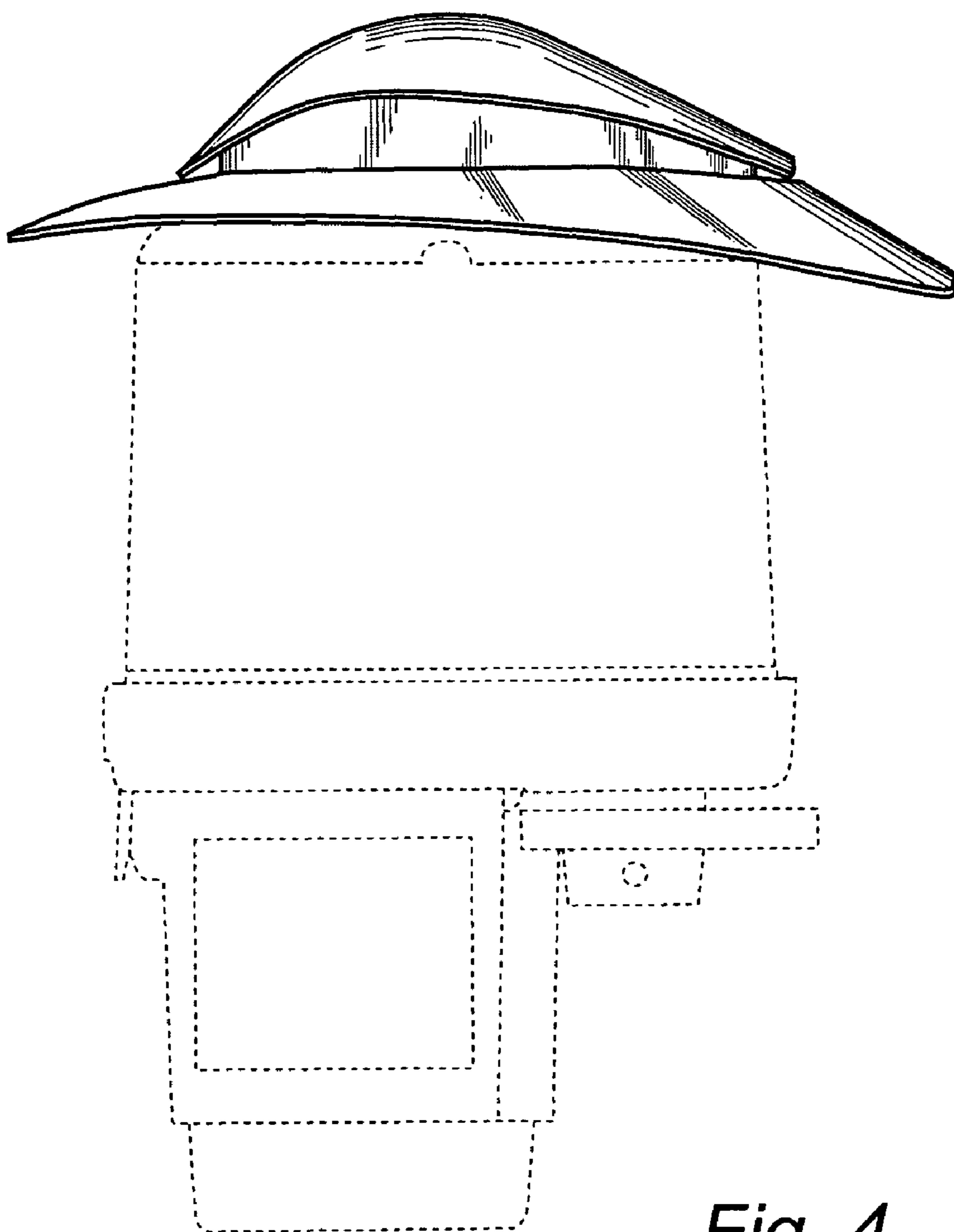


Fig. 4

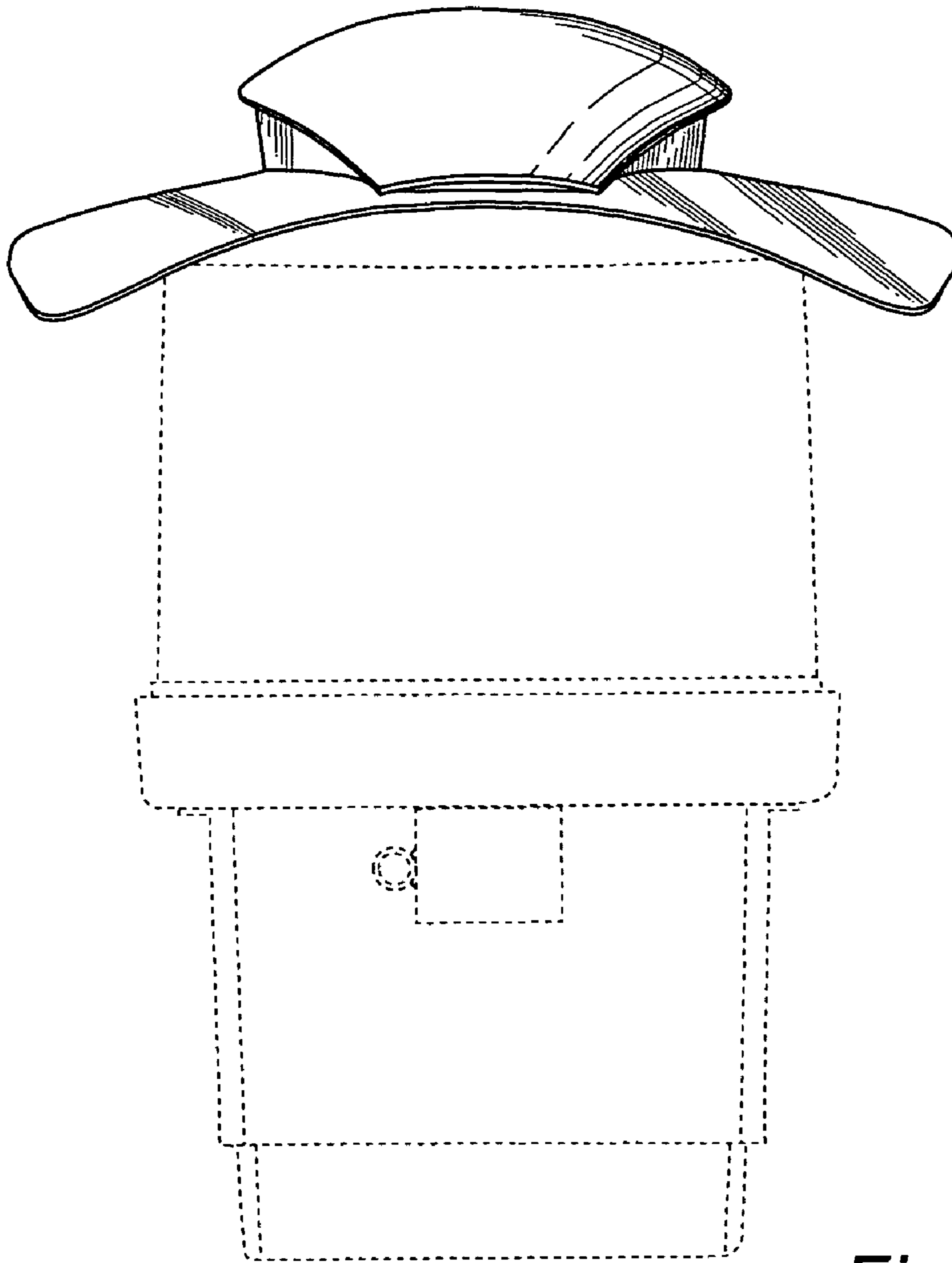


Fig. 5

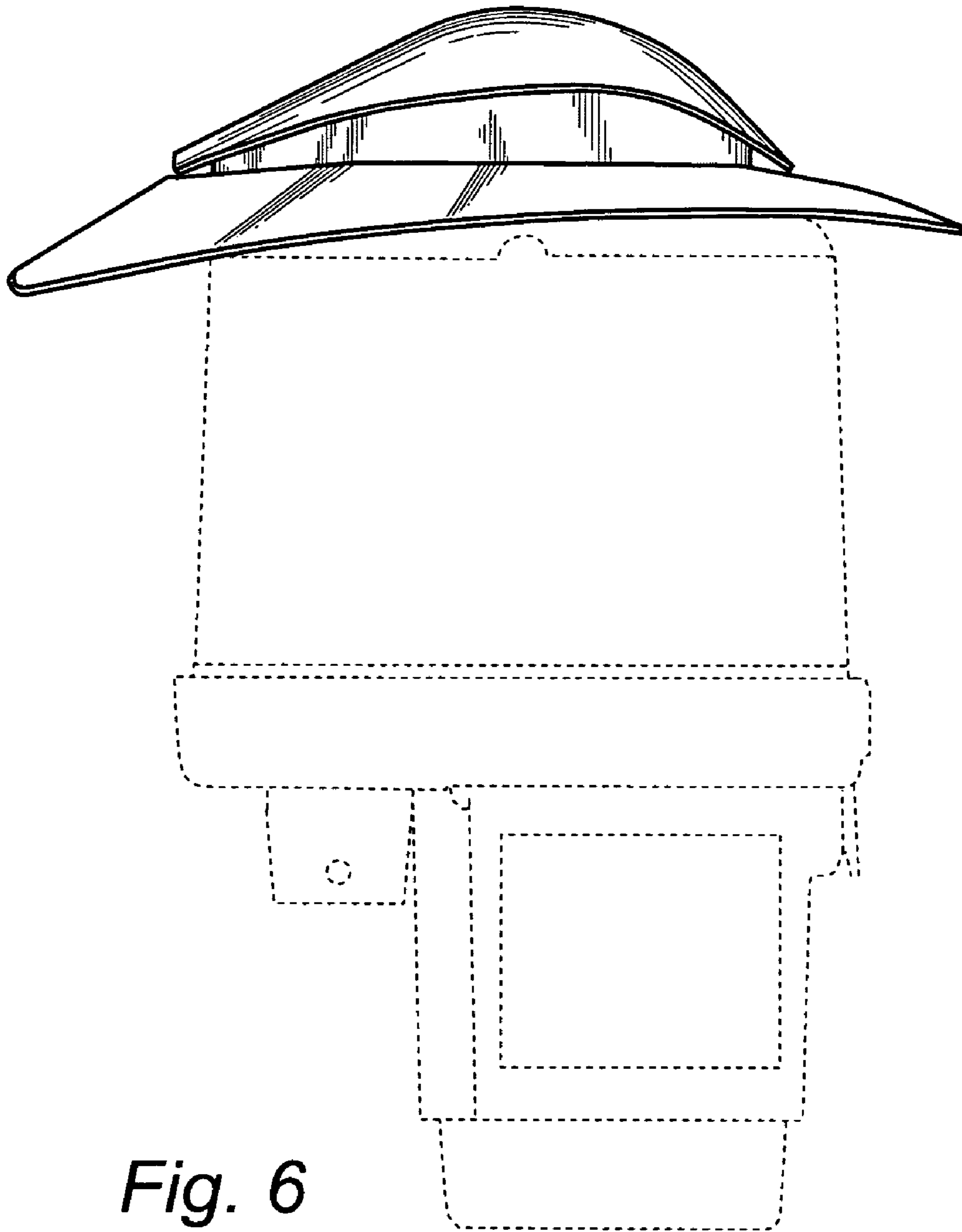


Fig. 6