



US00D631124S

(12) **United States Design Patent**  
**Ballard**

(10) **Patent No.:** **US D631,124 S**  
(45) **Date of Patent:** **\*\* \*Jan. 18, 2011**

(54) **GUNSIGHT BODY**

7,040,027 B1 5/2006 Shaffer  
D546,916 S 7/2007 Schwerman

(76) Inventor: **Marlin Daniel Ballard**, 4900 W.  
William Cannon, Austin, TX (US) 78749

\* cited by examiner

(\*) Notice: This patent is subject to a terminal disclaimer.

*Primary Examiner*—T. Chase Nelson  
*Assistant Examiner*—Michael A Pratt  
(74) *Attorney, Agent, or Firm*—David O. Simmons

(\*\*) Term: **14 Years**

(57) **CLAIM**

(21) Appl. No.: **29/314,694**

The ornamental design for a gunsight body, substantially as shown and described.

(22) Filed: **Apr. 20, 2009**

(51) **LOC (9) Cl.** ..... **22-01**

(52) **U.S. Cl.** ..... **D22/109**

(58) **Field of Classification Search** ..... D22/108–110,  
D22/199; D16/130, 132, 133, 134, 330;  
359/359, 399, 744, 823; 42/111, 119, 122,  
42/133

See application file for complete search history.

**DESCRIPTION**

FIG. 1 is a perspective view of of a gunsight body in accordance with the present invention;

FIG. 2 is a front view of the gunsight body shown in FIG. 1;

FIG. 3 is a rear view of the gunsight body shown in FIG. 1;

FIG. 4 is a right side view of the gunsight body shown in FIG. 1, wherein the left side view is substantially identical to the right side view;

FIG. 5 is a top view of the gunsight body shown in FIG. 1; and,

FIG. 6 is a bottom view of the gunsight body shown in FIG. 1.

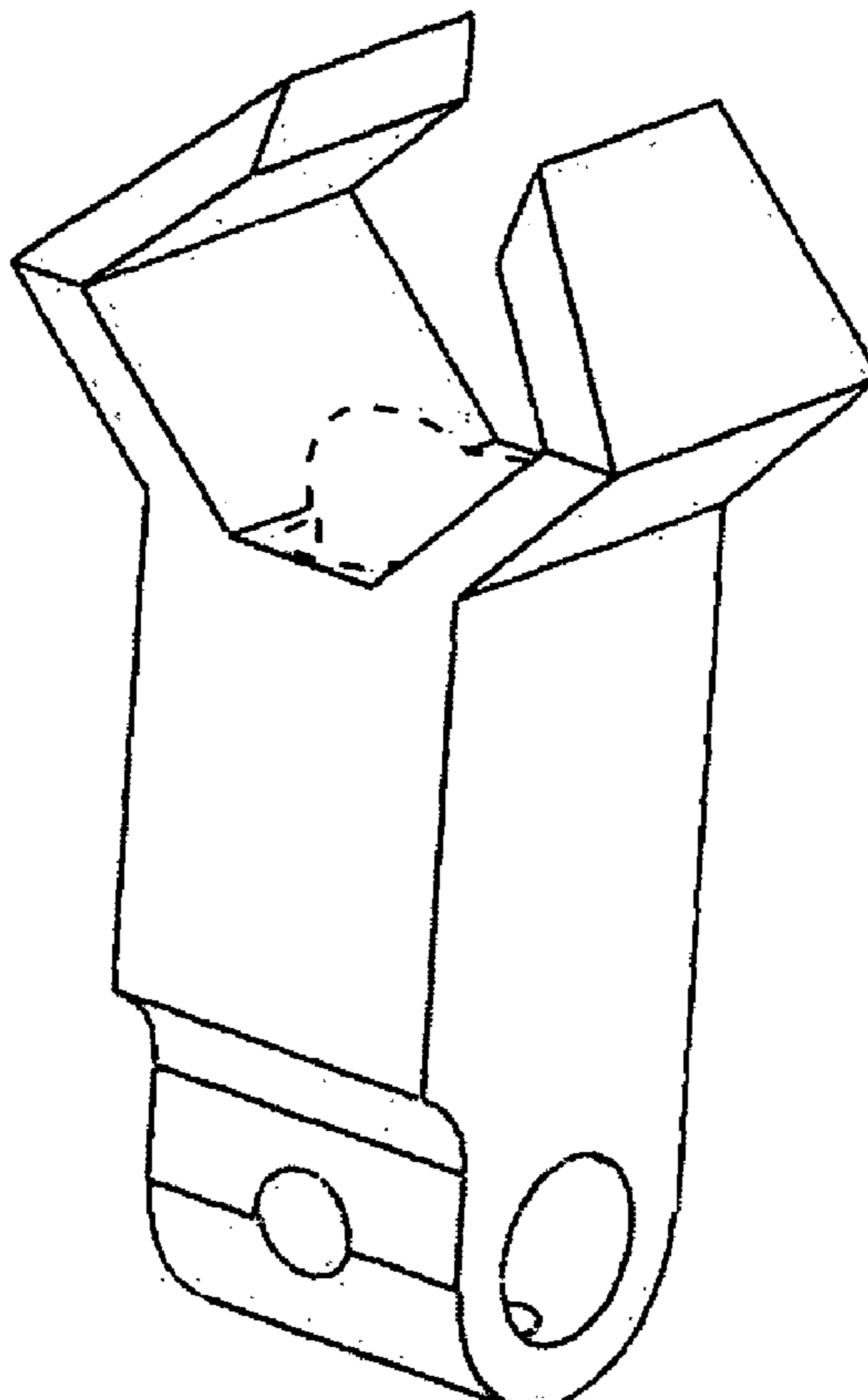
The broken line showing of portions of the design shown broken/dashed lines is included for the purpose of illustrating environment and forms no part of the claimed design.

(56) **References Cited**

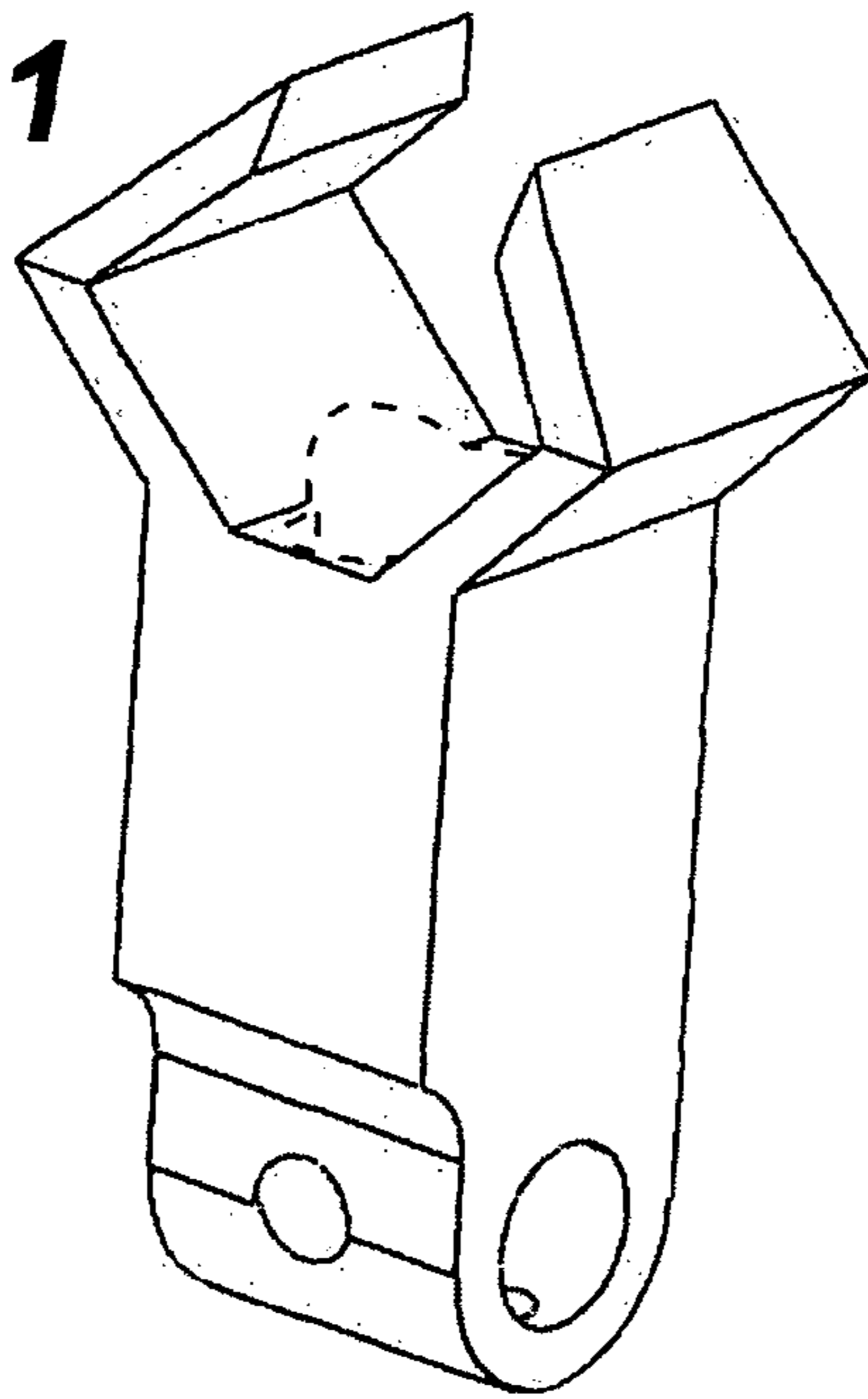
U.S. PATENT DOCUMENTS

846,217 A	3/1907	King	
2,488,836 A	11/1949	Sweetman	
2,645,017 A	7/1953	Haase	
D183,360 S *	8/1958	McCabe	..... D22/109
D413,645 S *	9/1999	Sheehan	..... D22/109
D429,789 S	8/2000	Sheehan	
6,360,471 B1	3/2002	Stein	

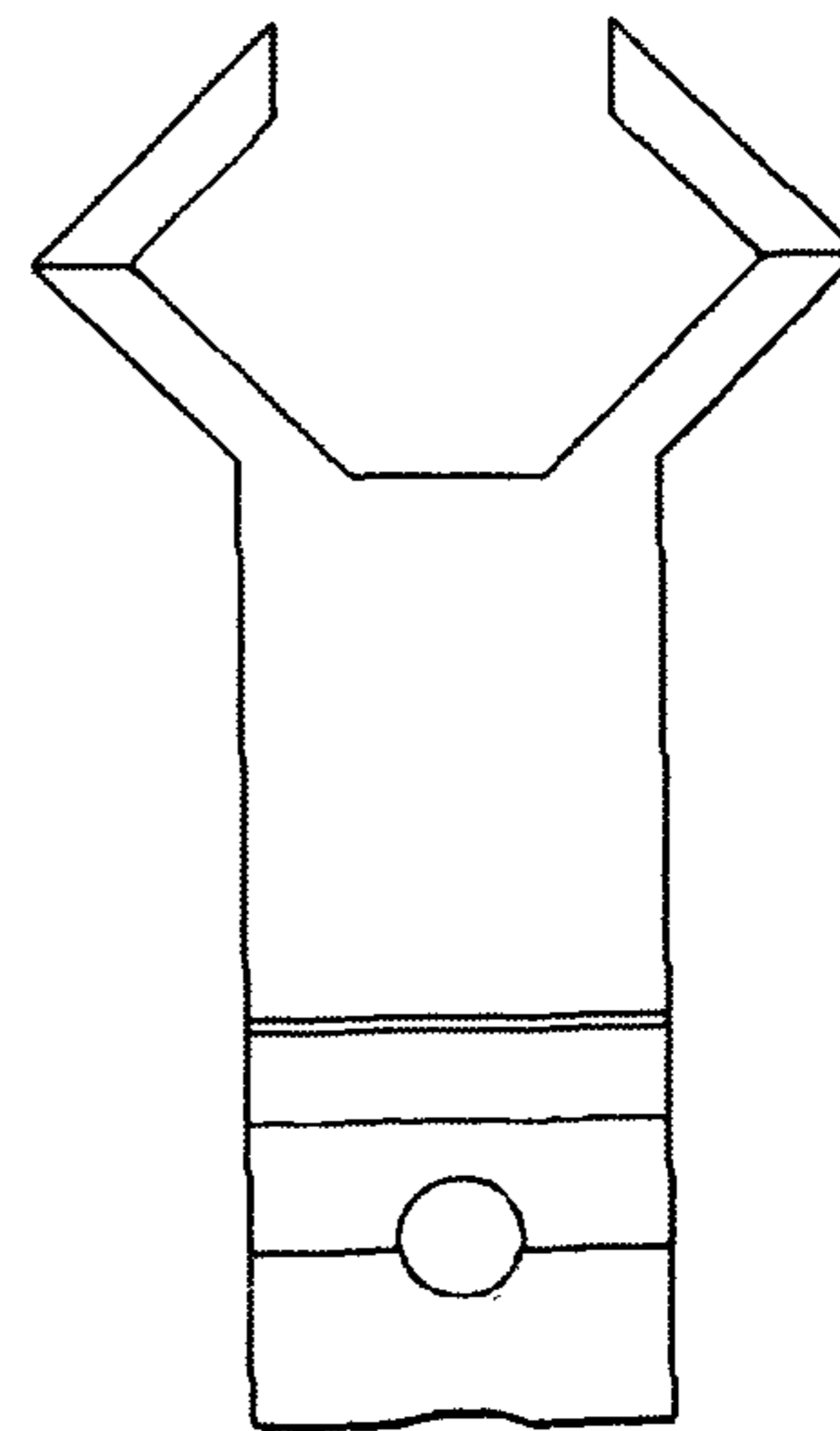
**1 Claim, 2 Drawing Sheets**



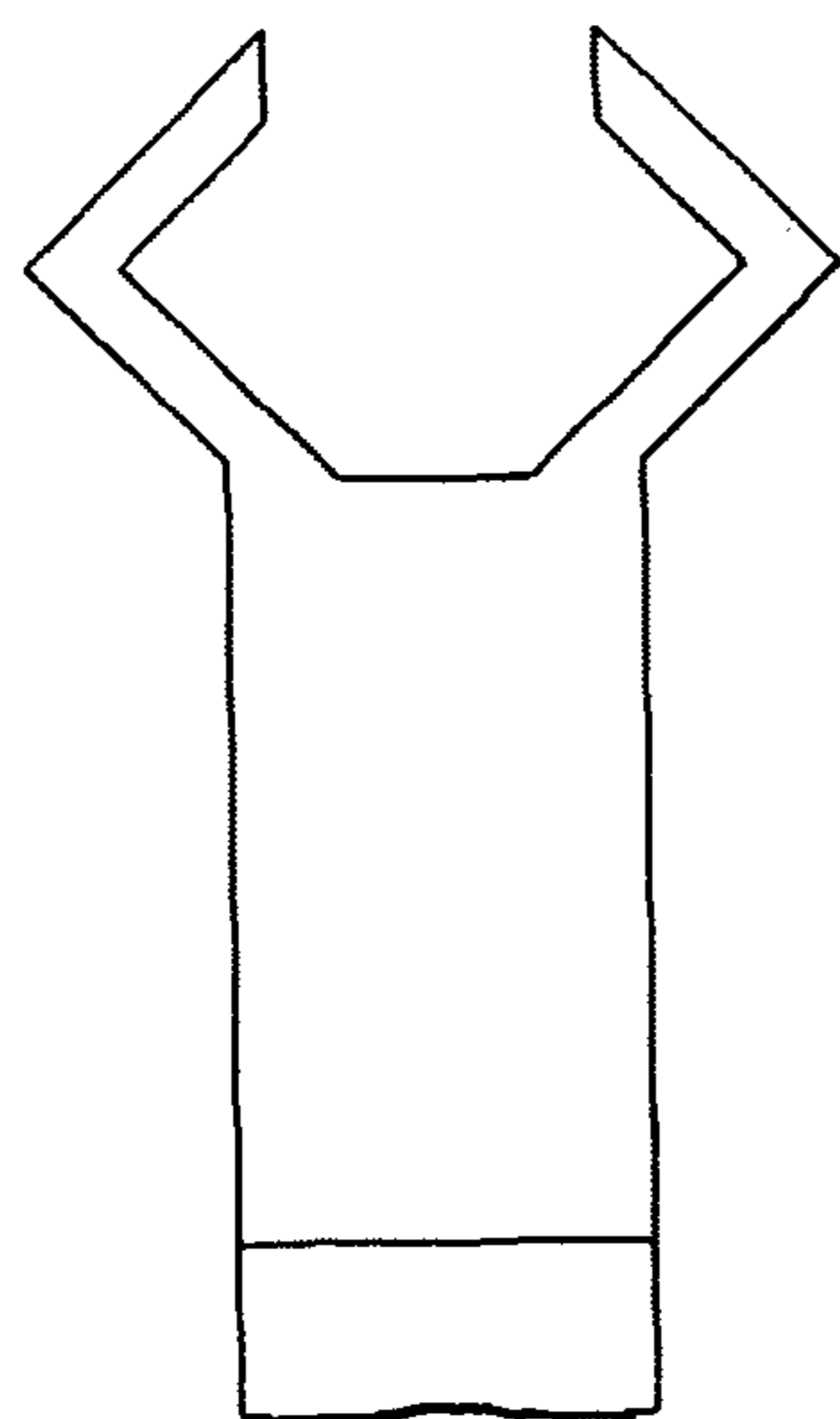
**FIG. 1**



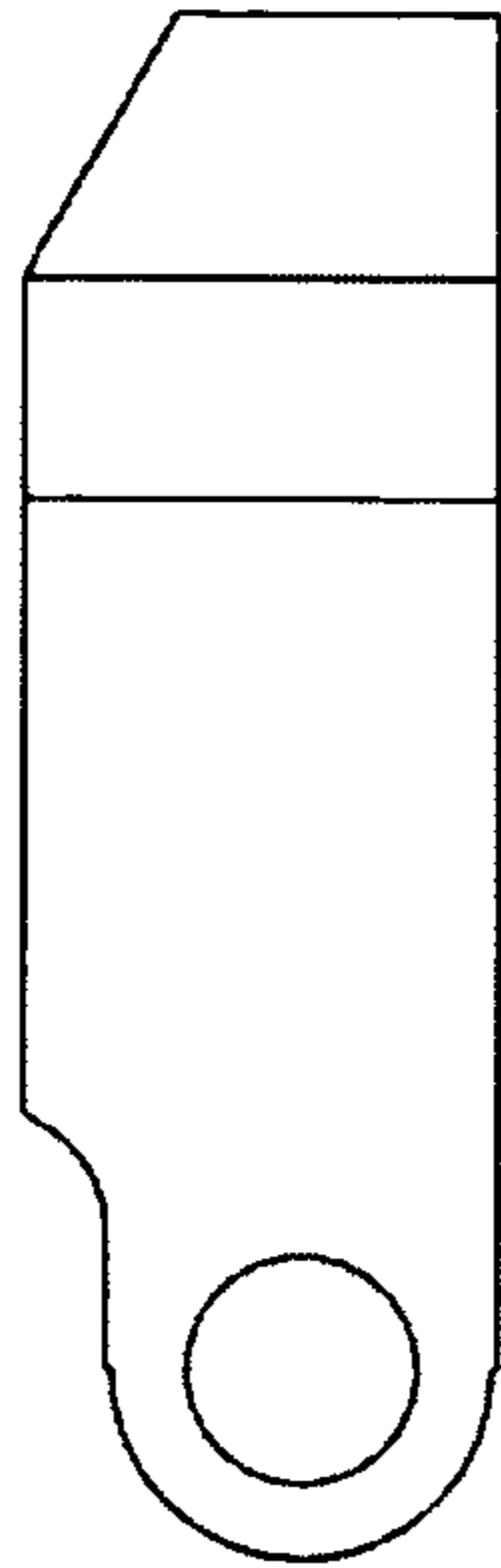
**FIG. 2**



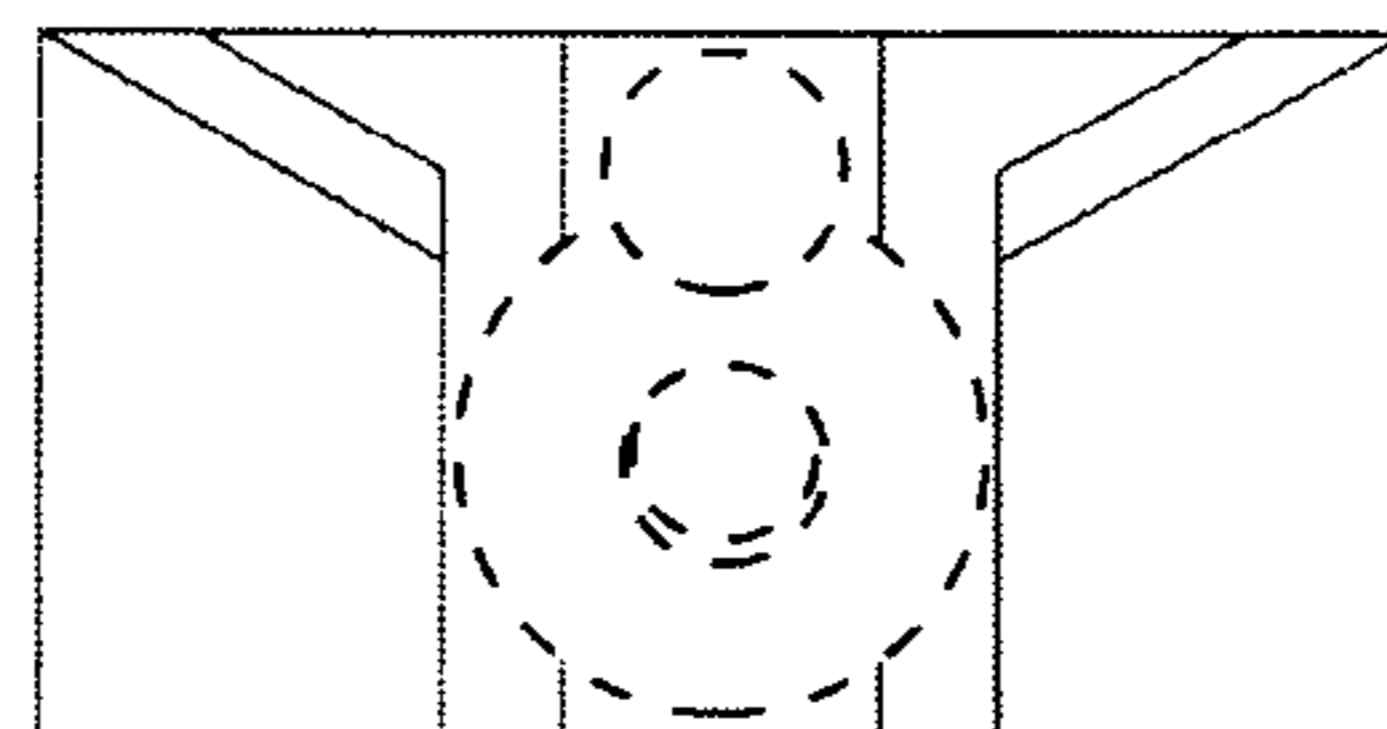
**FIG. 3**



**FIG. 4**



**FIG. 5**



**FIG. 6**

