



US00D631123S

(12) **United States Design Patent**
Byers

(10) **Patent No.:** **US D631,123 S**
(45) **Date of Patent:** **** Jan. 18, 2011**

(54) **CHAMBER BLOCK**

(74) *Attorney, Agent, or Firm*—McGarry Bair PC

(76) **Inventor:** **Patrick William Byers**, 4101 102nd Ave., Allegan, MI (US) 49010

(57) **CLAIM**

The ornamental design for a chamber block, as shown and described.

(**) **Term:** **14 Years**

(21) **Appl. No.:** **29/362,490**

DESCRIPTION

(22) **Filed:** **May 26, 2010**

(51) **LOC (9) Cl.** **22-01**

FIG. 1 is a front top perspective view of a chamber block which embodies the design;

(52) **U.S. Cl.** **D22/108**

FIG. 2 is a front bottom perspective view thereof;

(58) **Field of Classification Search** D22/108, D22/199; 42/70.01–70.11; D8/300–307
See application file for complete search history.

FIG. 3 is a front view thereof;

FIG. 4 is a rear view thereof;

(56) **References Cited**

U.S. PATENT DOCUMENTS

6,789,341 B1 * 9/2004 Badura 42/70.11
2006/0185658 A1 * 8/2006 Stevens 124/80

FIG. 5 is a right side view thereof; the left side view thereof being a mirror image of the right side view thereof;

FIG. 6 is a top view thereof; and,

FIG. 7 is a bottom view.

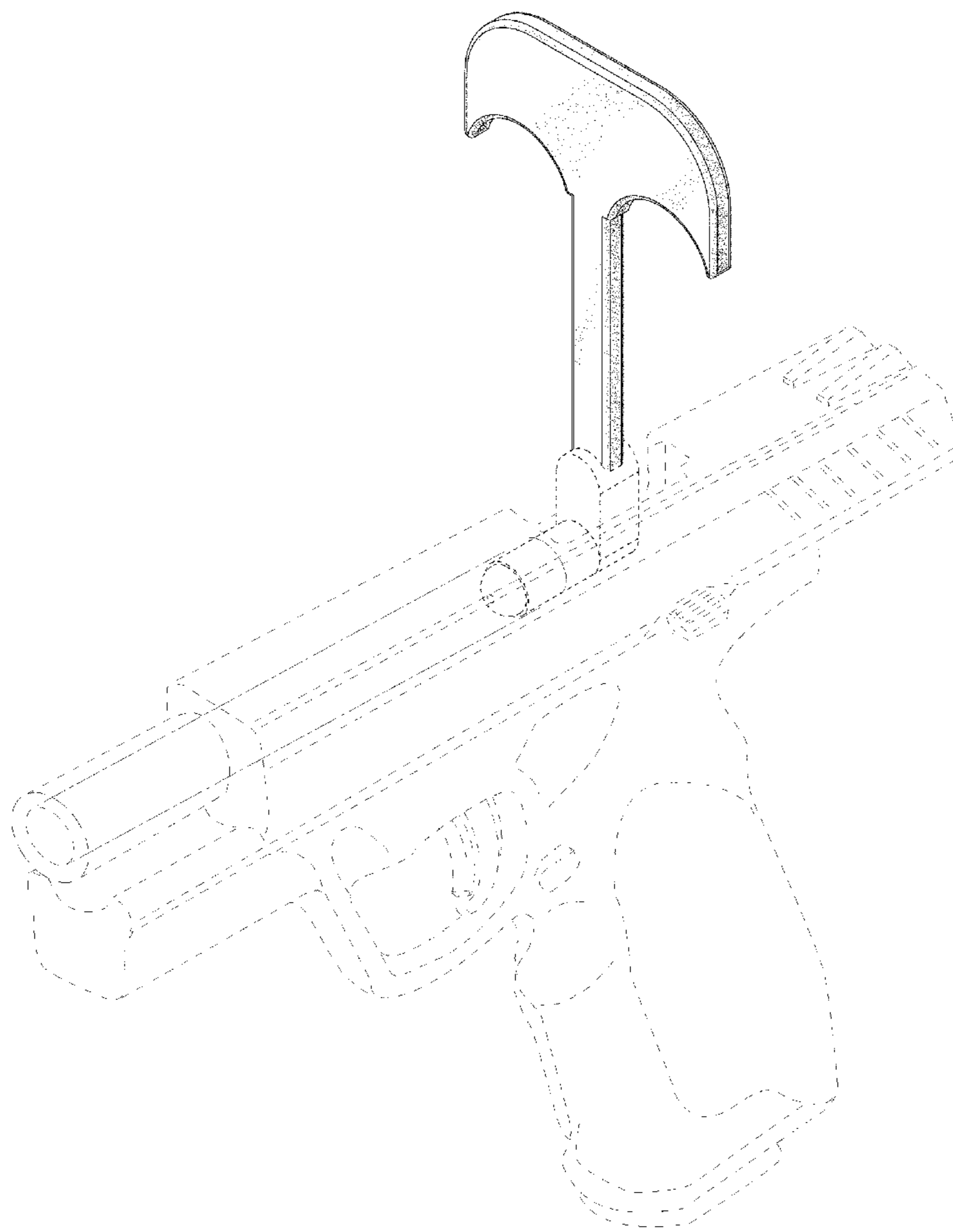
The structures depicted by means of broken lines in the figures have been shown for illustrative purposes only and form no part of the claimed design.

* cited by examiner

Primary Examiner—T. Chase Nelson

Assistant Examiner—Michael A Pratt

1 Claim, 4 Drawing Sheets



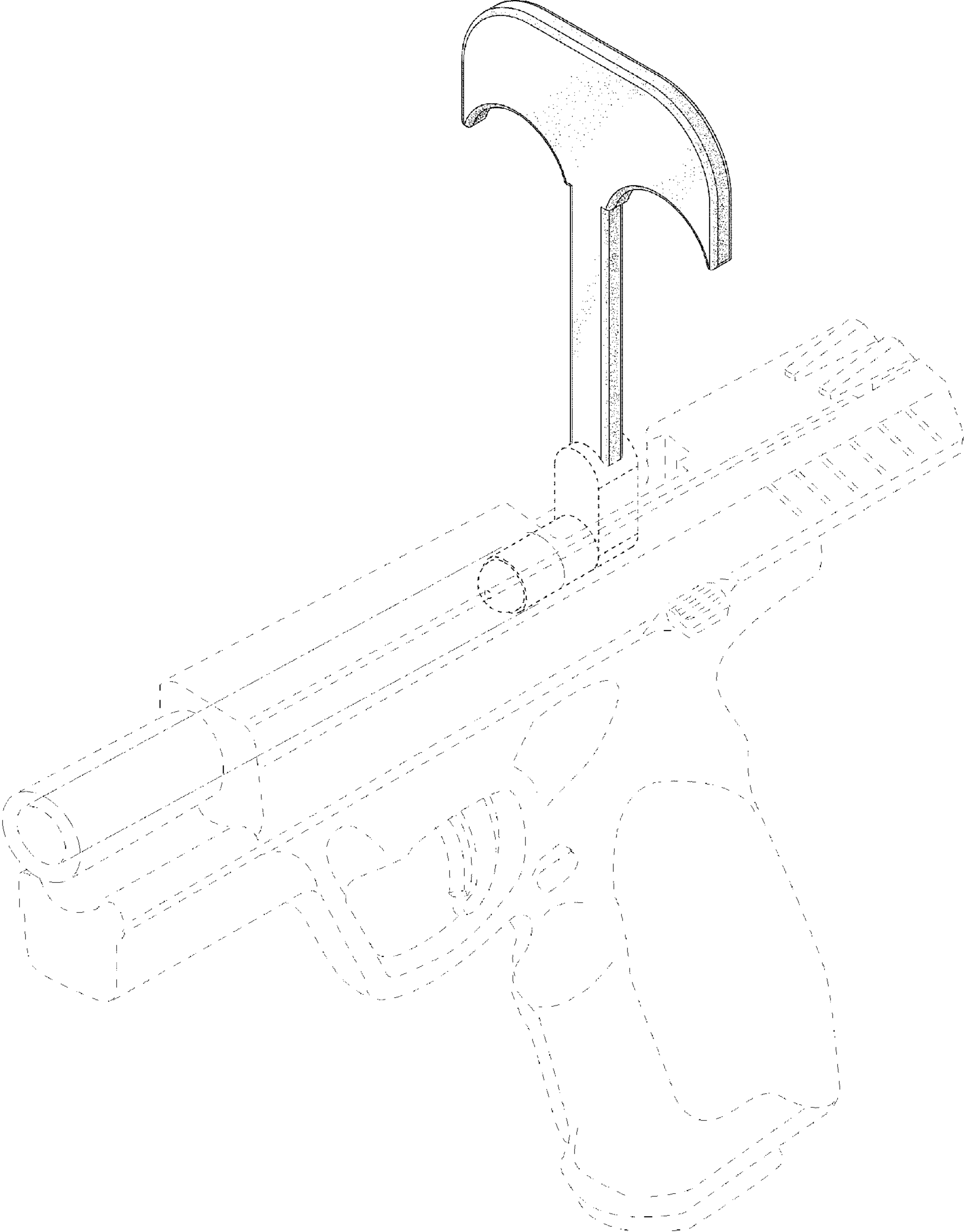


Fig. 1

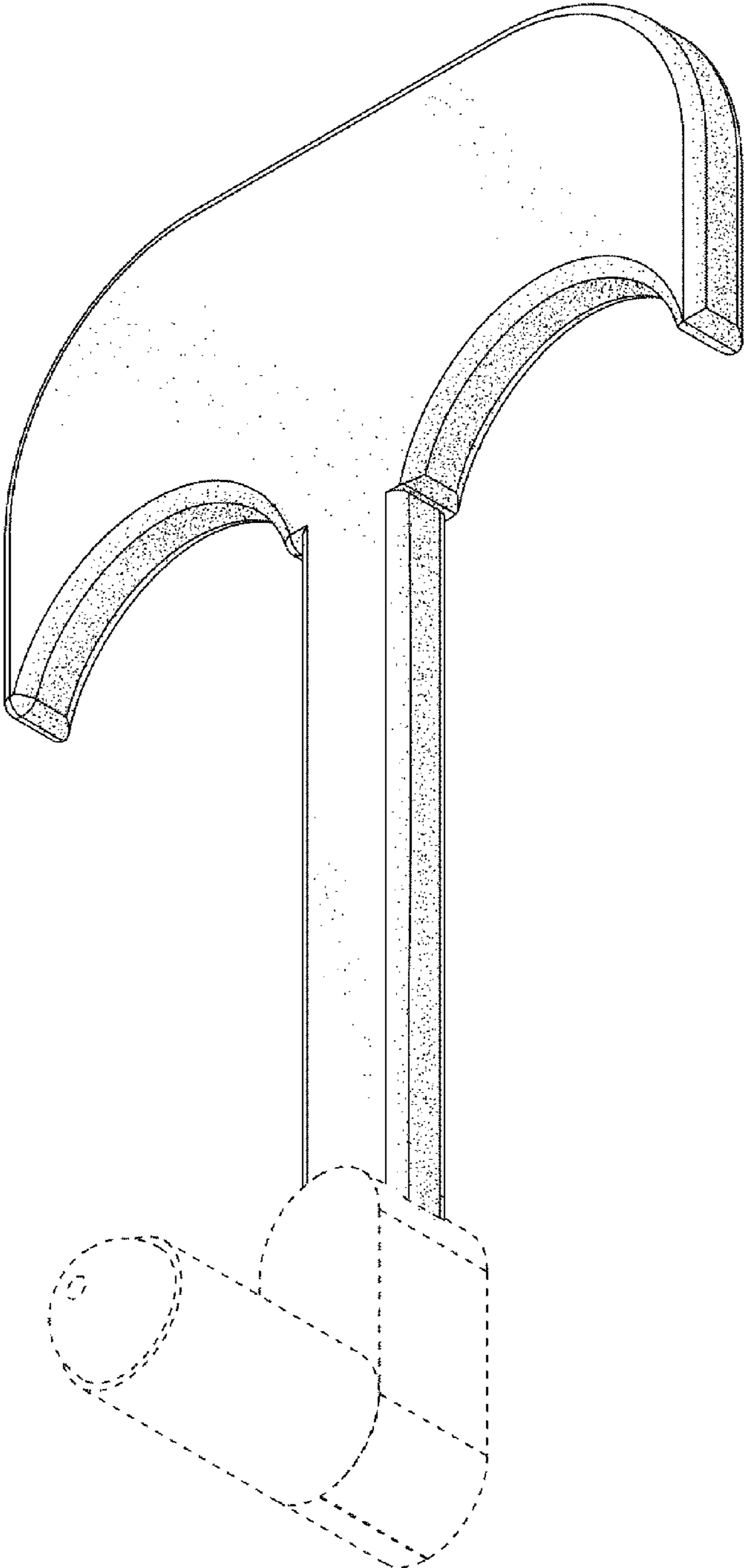


Fig. 2

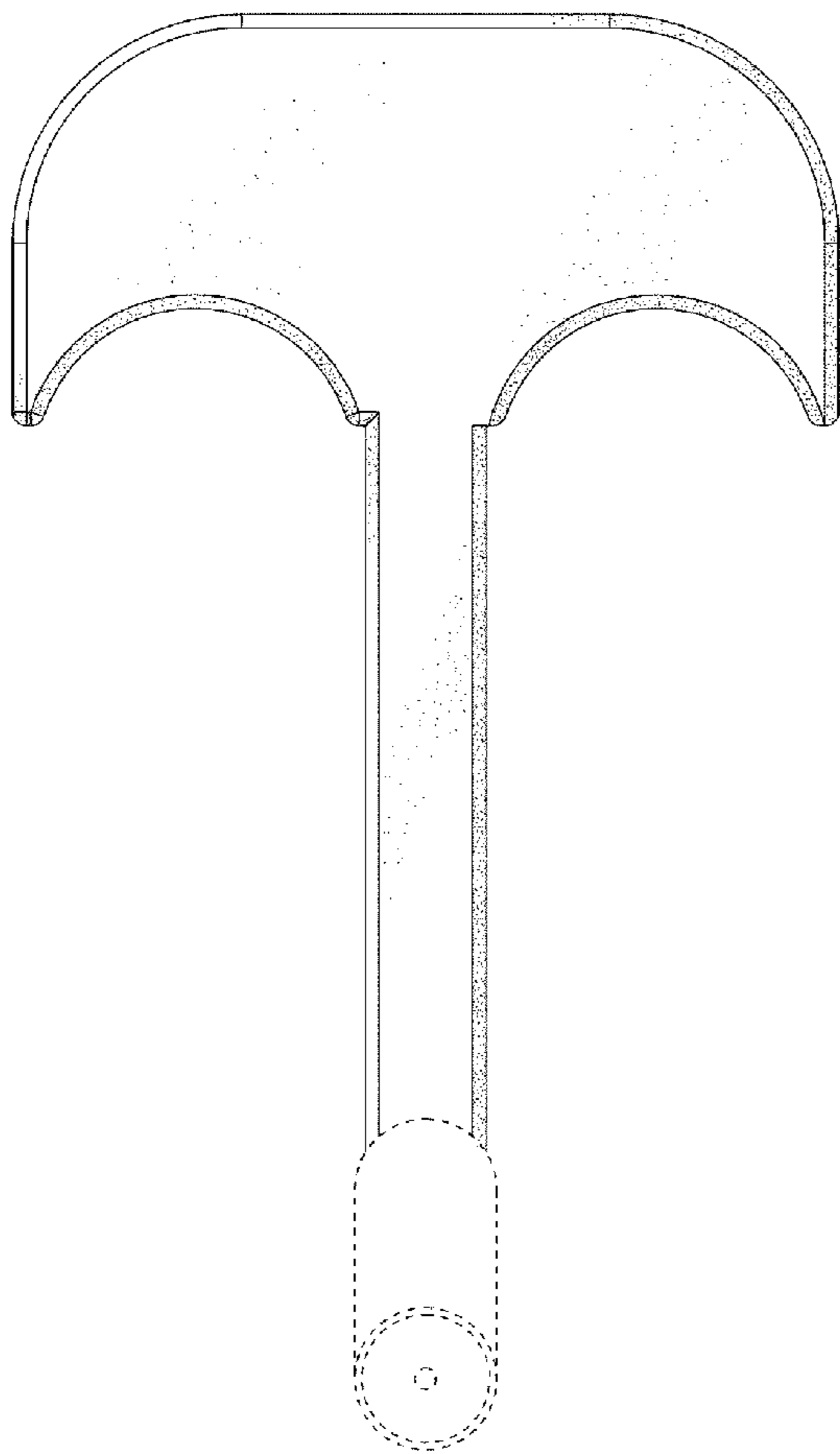


Fig. 3

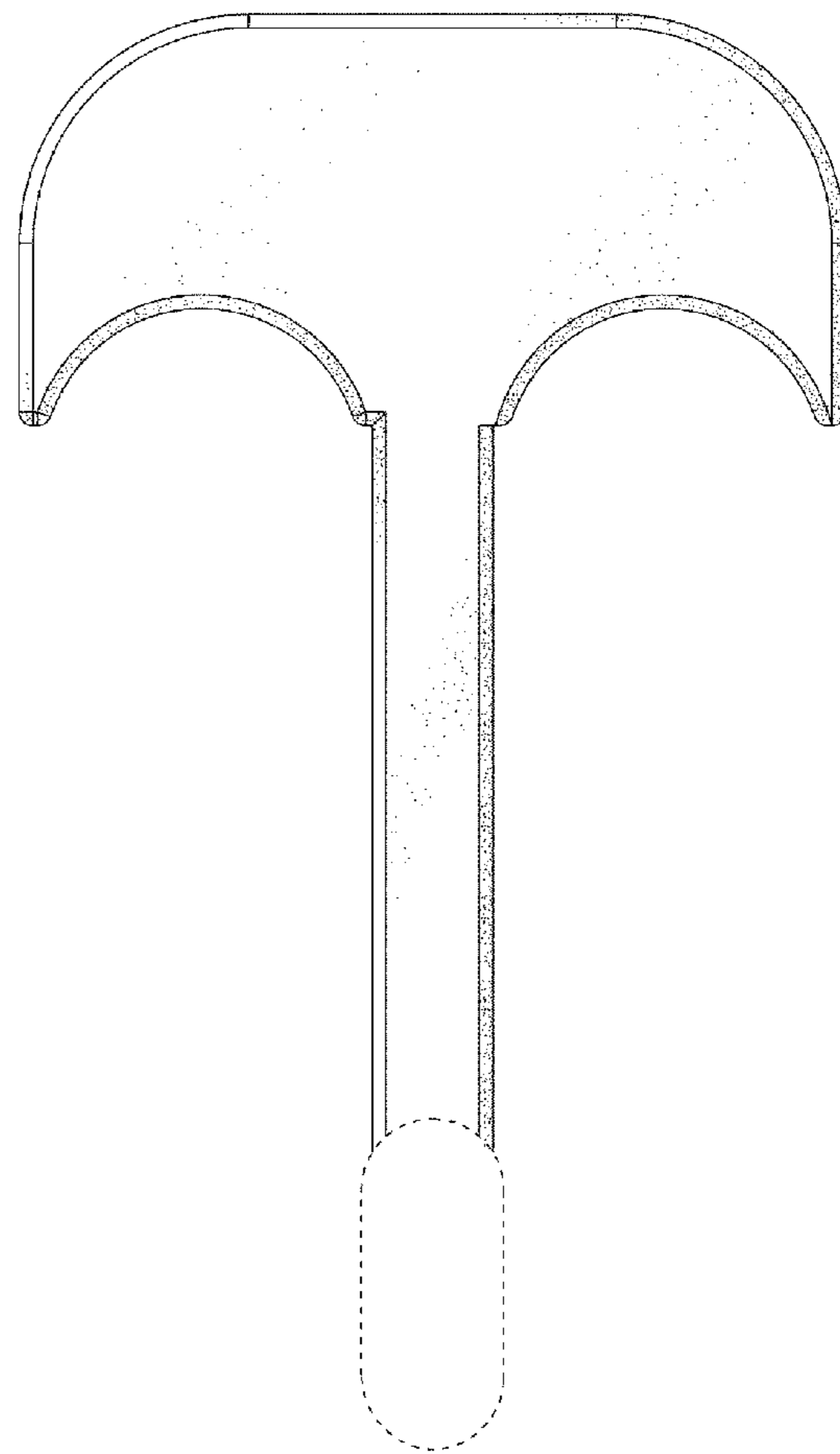


Fig. 4

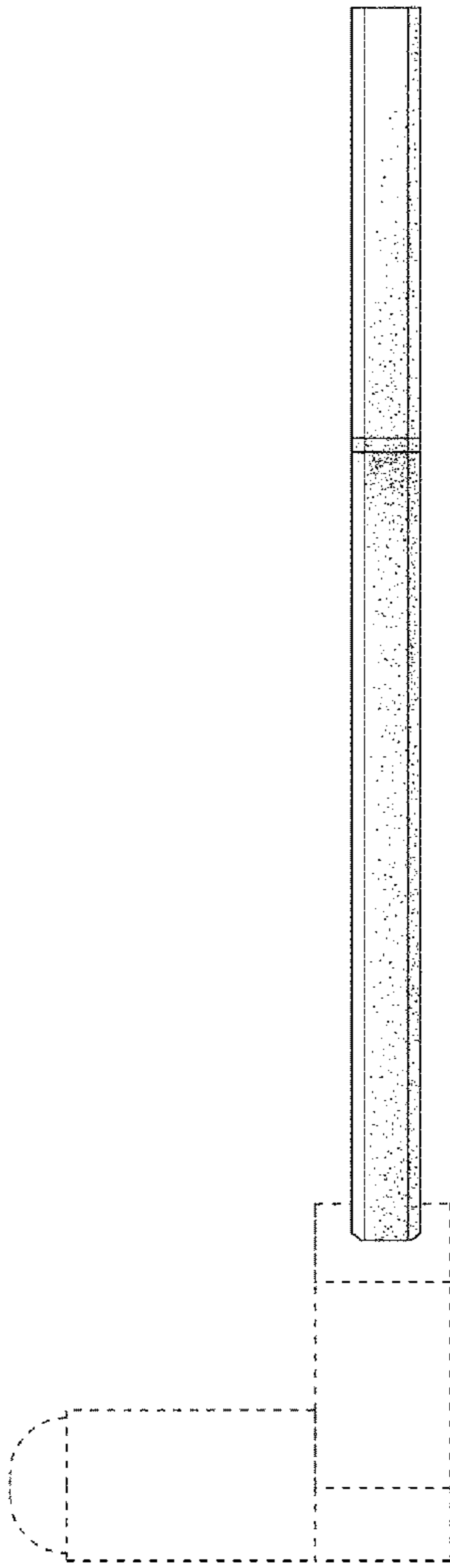


Fig. 5

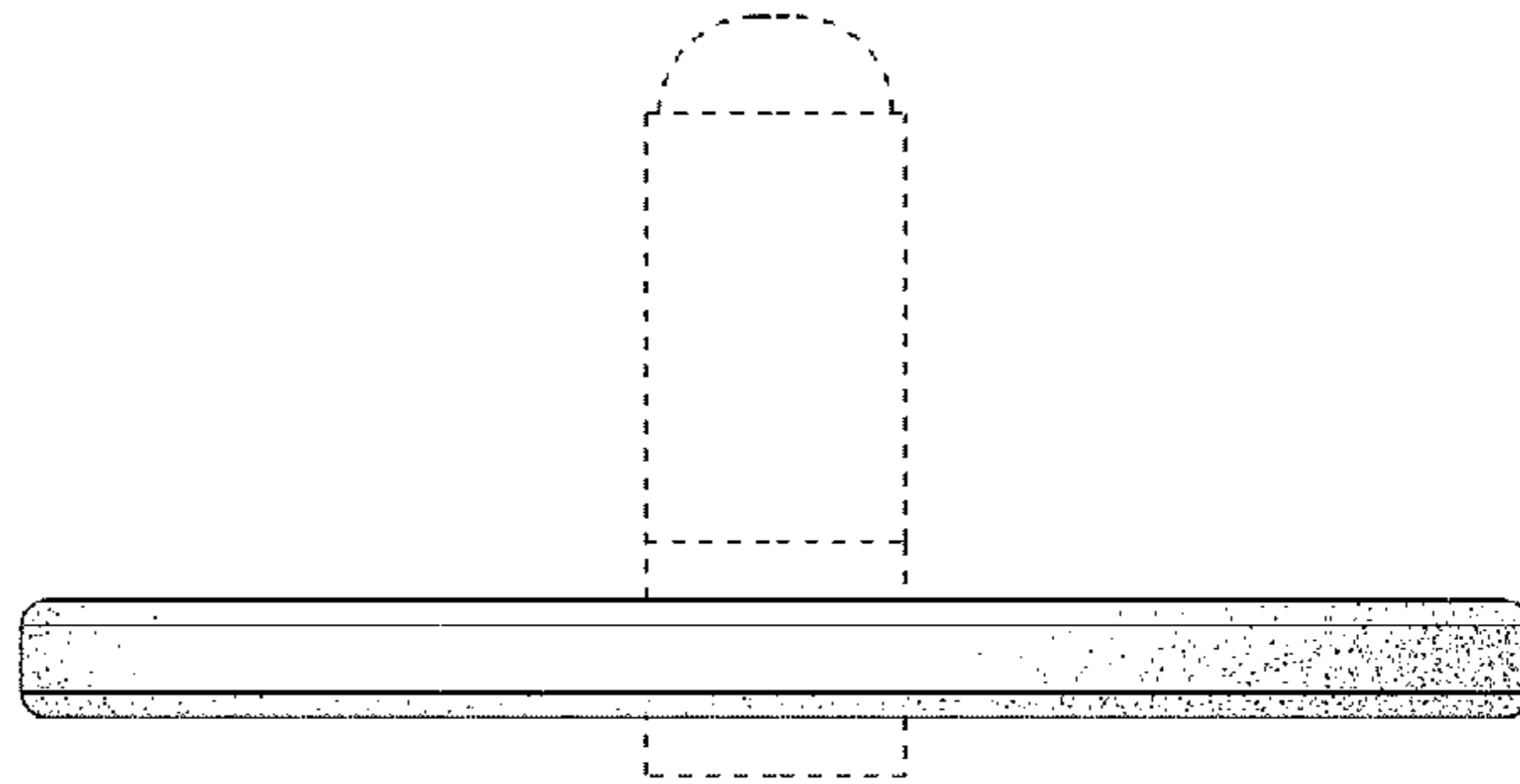


Fig. 6

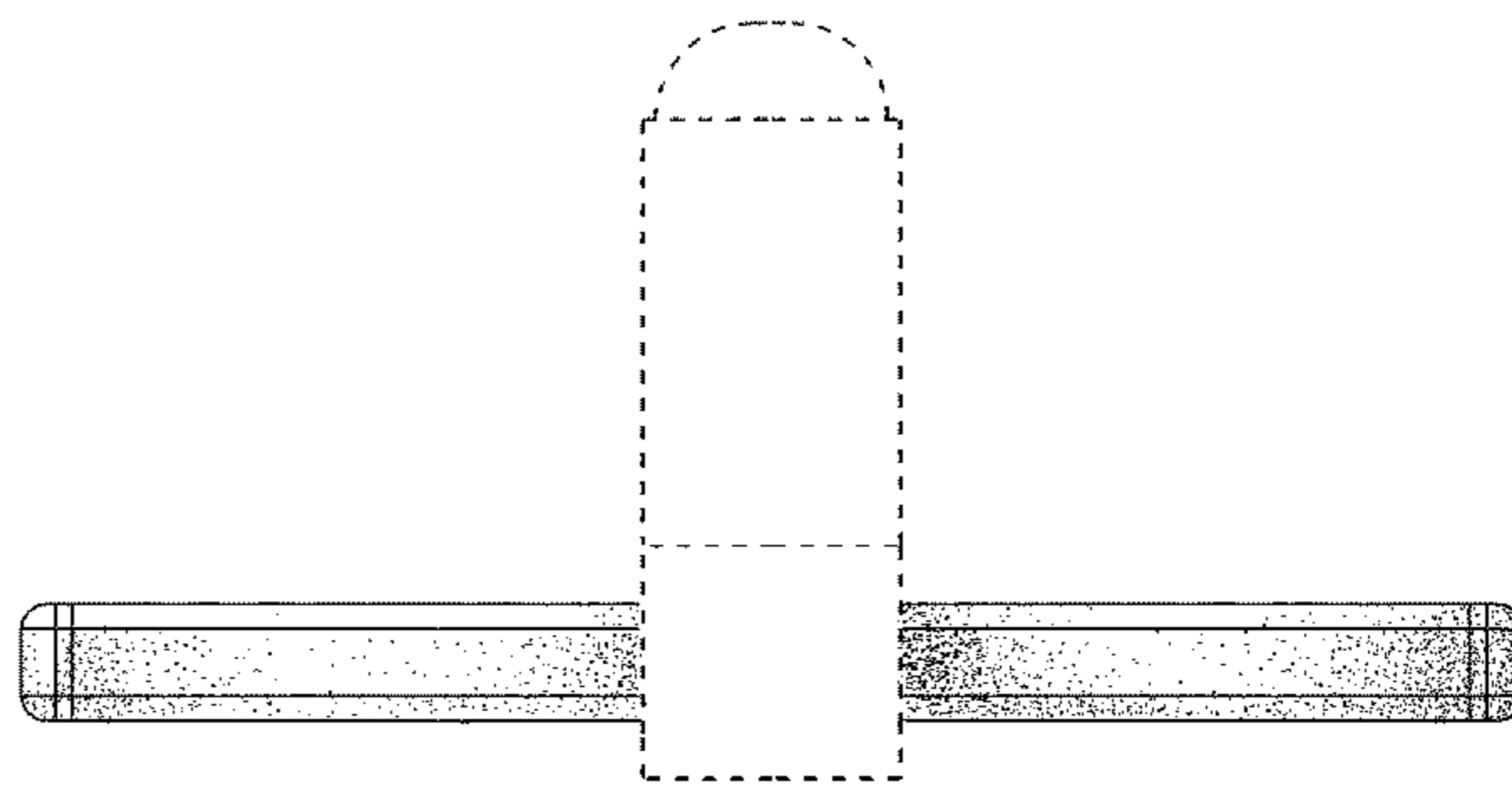


Fig. 7