



US00D631121S

(12) **United States Design Patent**  
**Cheng**

(10) **Patent No.:** **US D631,121 S**  
(45) **Date of Patent:** **\*\* Jan. 18, 2011**

(54) **RIFLE SCOPE WITH INTEGRATED LASER**

(76) Inventor: **Carson Cheng**, 18031 Cortney Ct., City of Industry, CA (US) 91748

(\*\*) Term: **14 Years**

(21) Appl. No.: **29/340,084**

(22) Filed: **Jul. 13, 2009**

(51) **LOC (9) Cl.** ..... **22-01**

(52) **U.S. Cl.** ..... **D22/108**

(58) **Field of Classification Search** ..... D22/108-110,  
D22/199; D16/132, 130, 133, 330, 134;  
359/399, 823, 744; 42/111, 133, 119, 122  
See application file for complete search history.

(56) **References Cited**

U.S. PATENT DOCUMENTS

4,777,730	A *	10/1988	Huggins	.....	42/119
D308,981	S *	7/1990	Moore	.....	D16/132
D413,130	S *	8/1999	Bryant et al.	.....	D16/132
7,676,137	B2 *	3/2010	Schick et al.	.....	385/147

\* cited by examiner

*Primary Examiner*—T. Chase Nelson

*Assistant Examiner*—Michael A Pratt

(74) *Attorney, Agent, or Firm*—Intellectual Property Law Group LLP; Juneko Jackson; Otto O. Lee

(57) **CLAIM**

The ornamental design for a rifle scope with integrated laser, as shown and described.

**DESCRIPTION**

FIG. 1 is a top front perspective view of a rifle scope with integrated laser embodying my new design;

FIG. 2 is a bottom rear perspective view thereof;

FIG. 3 is a right side elevational view thereof;

FIG. 4 is a left side elevational view thereof;

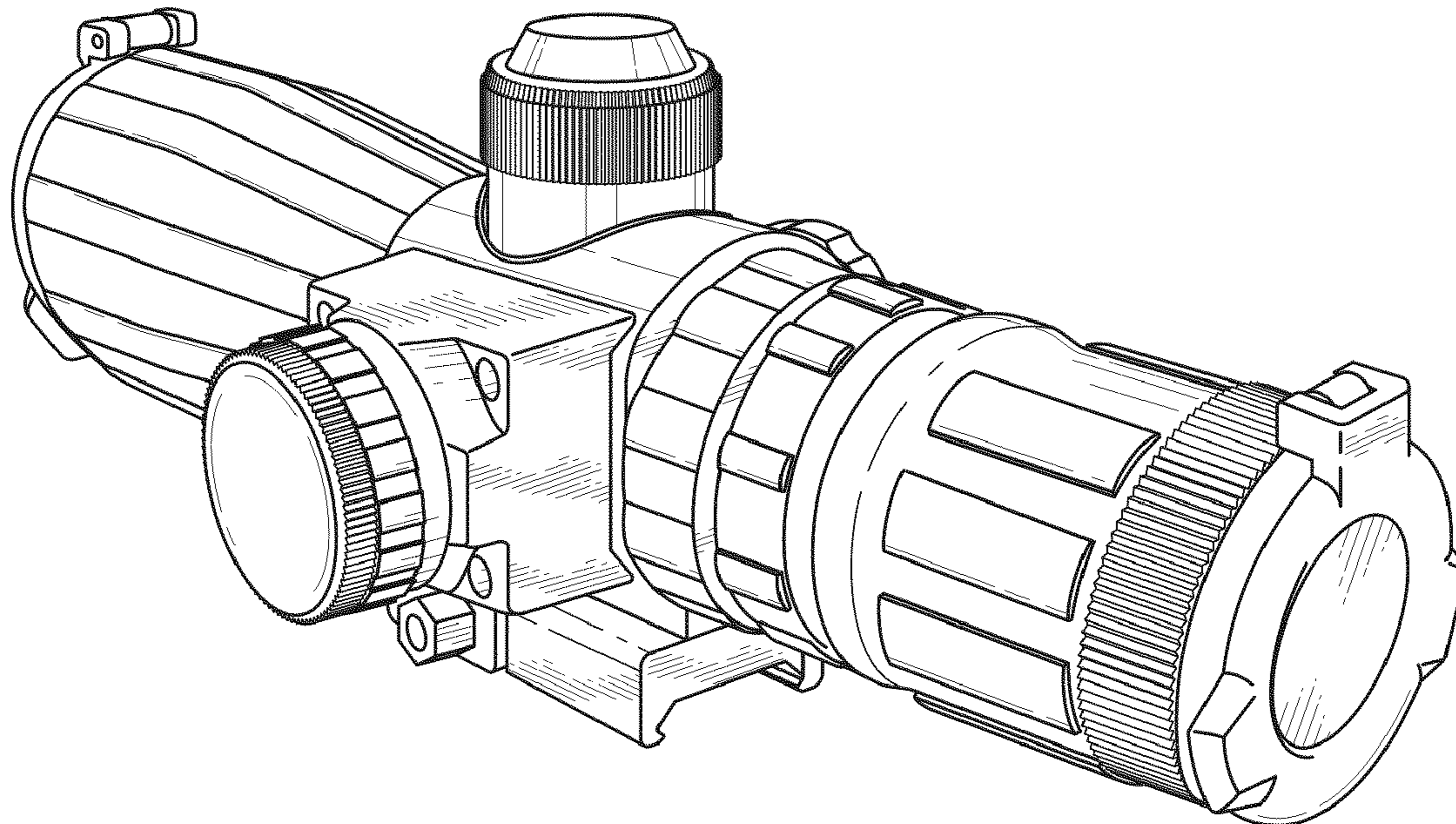
FIG. 5 is a top plan view thereof;

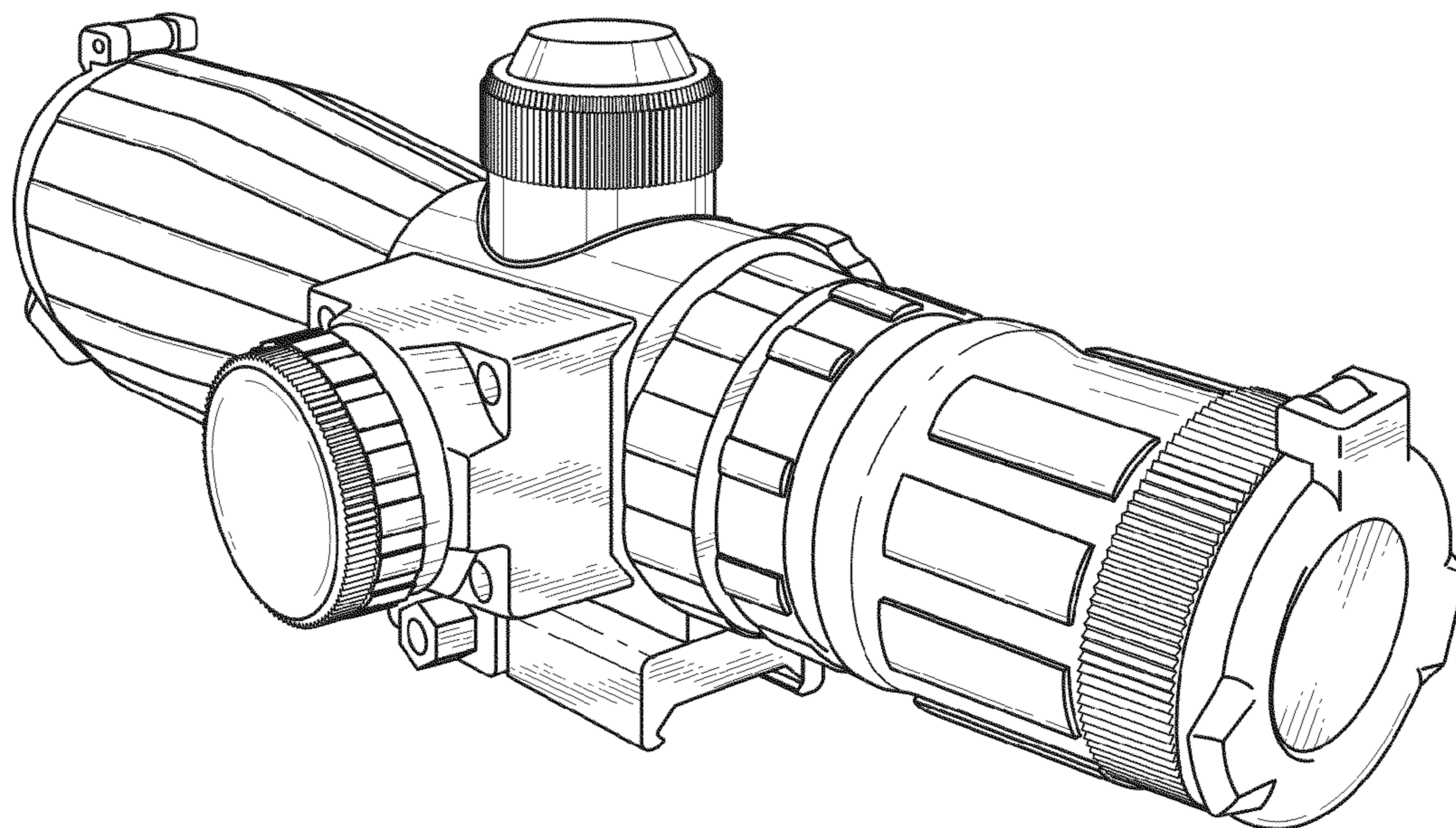
FIG. 6 is a bottom plan view thereof;

FIG. 7 is a rear view thereof; and,

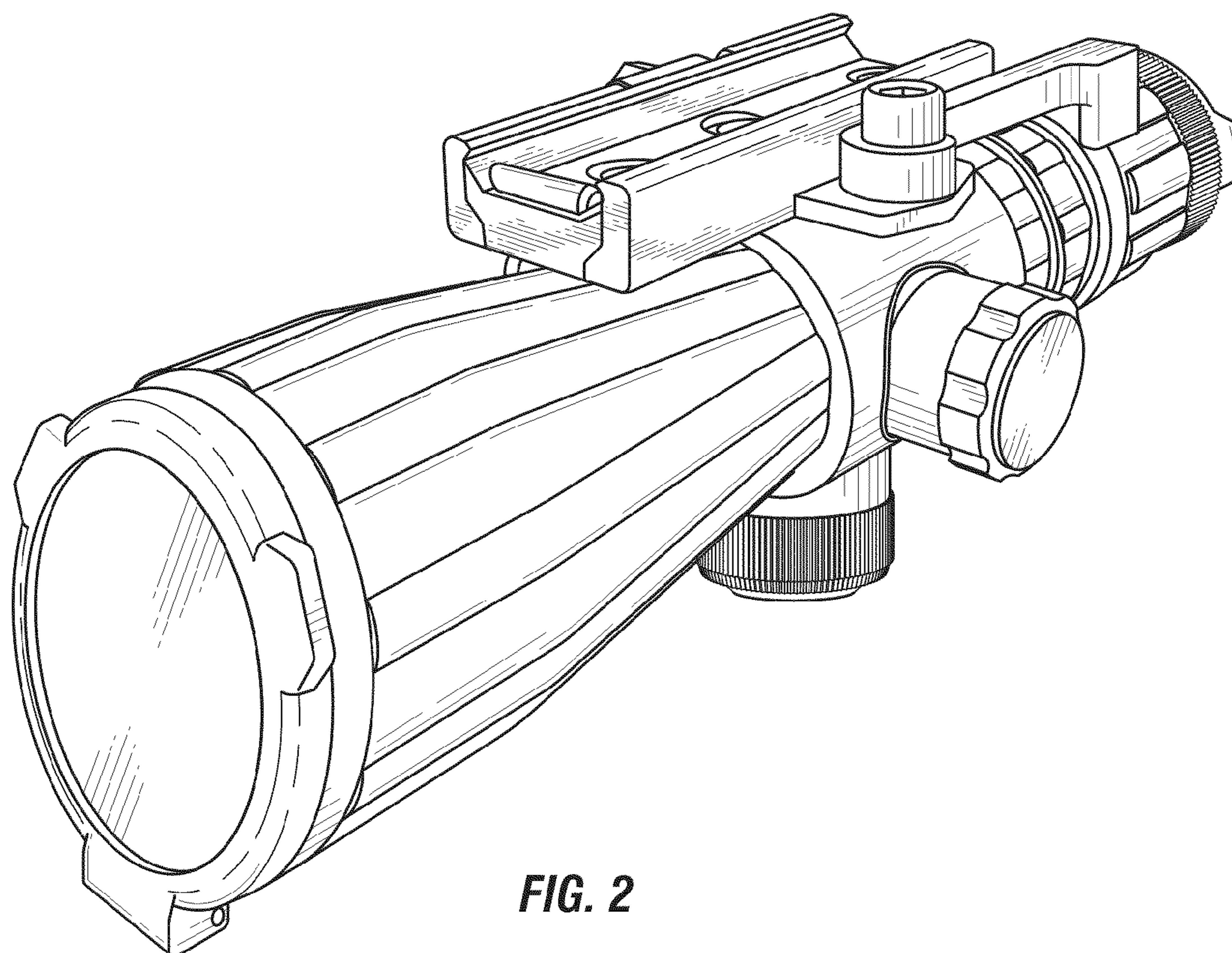
FIG. 8 is a front view thereof.

**1 Claim, 4 Drawing Sheets**

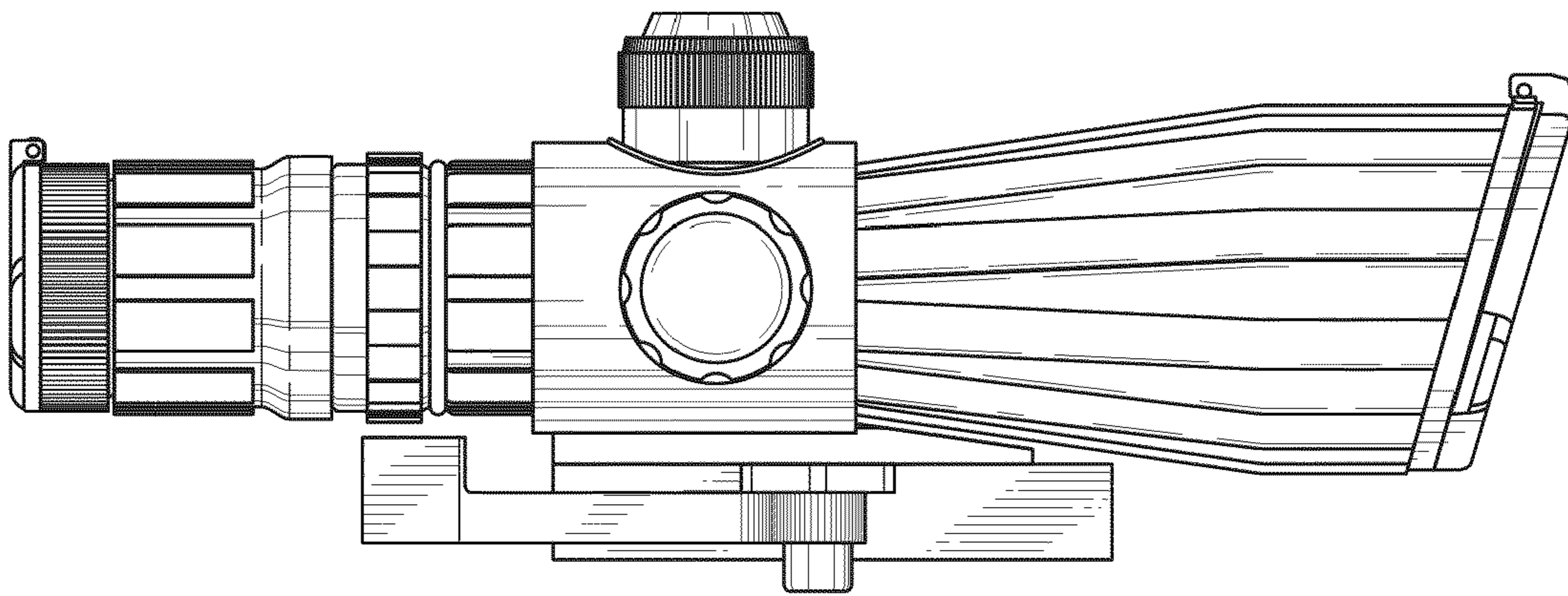




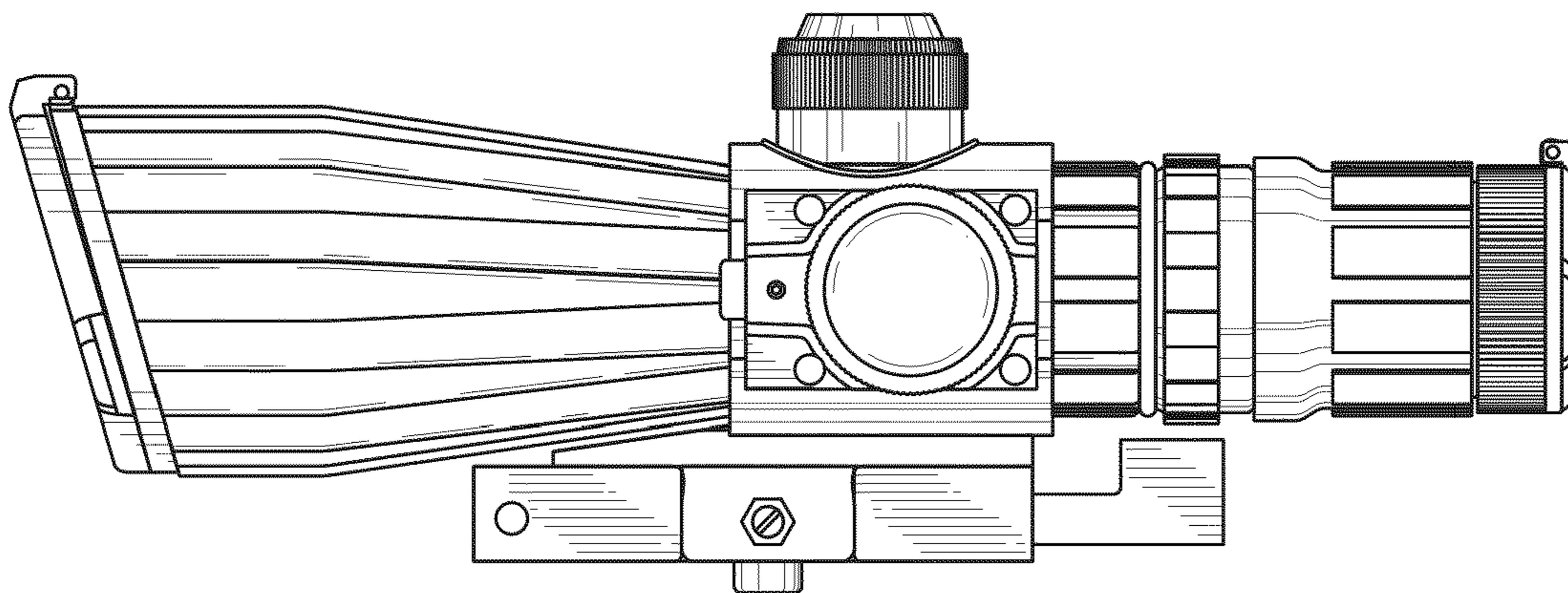
**FIG. 1**



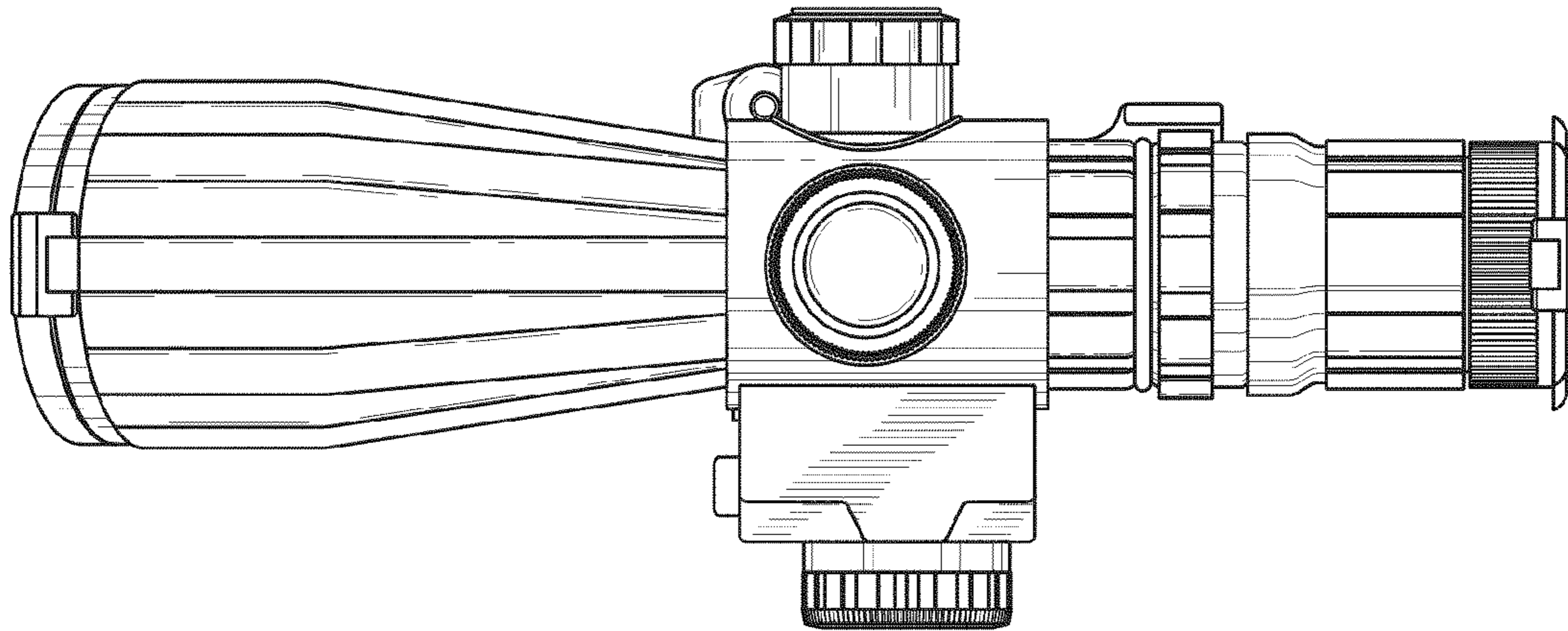
**FIG. 2**



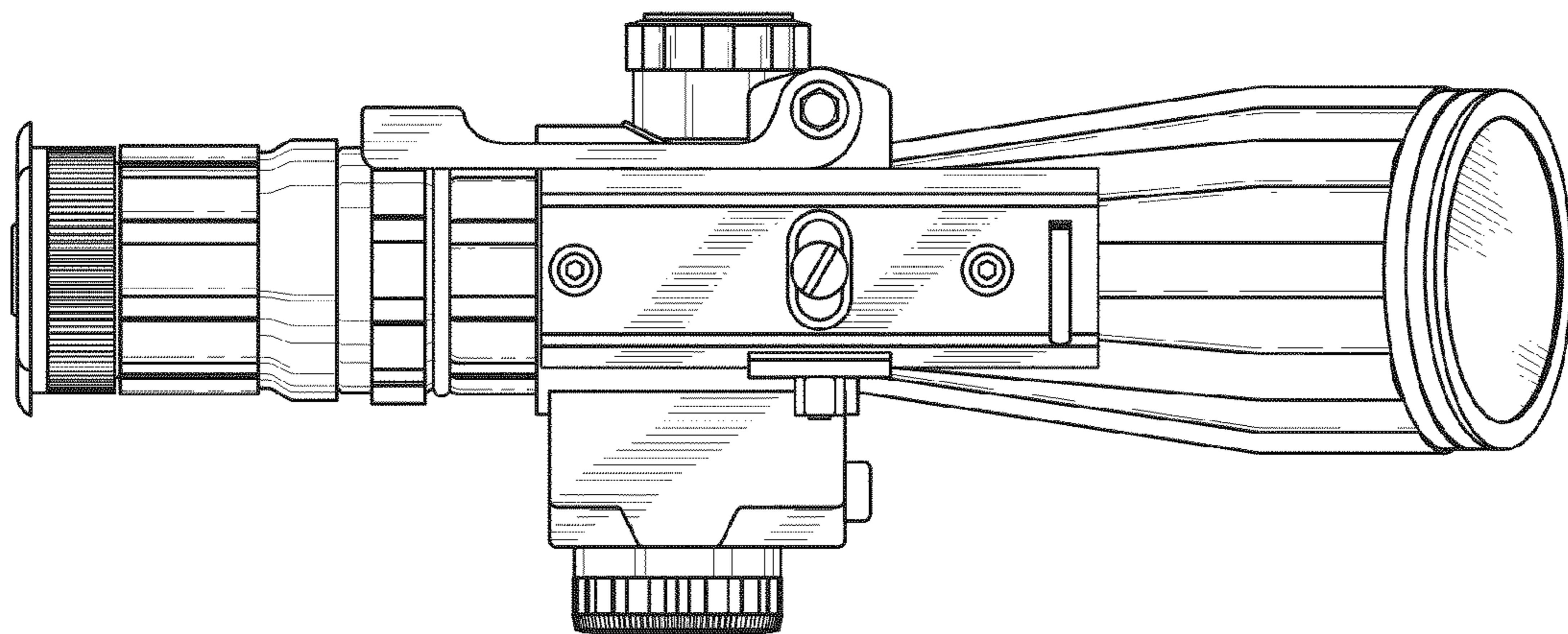
**FIG. 3**



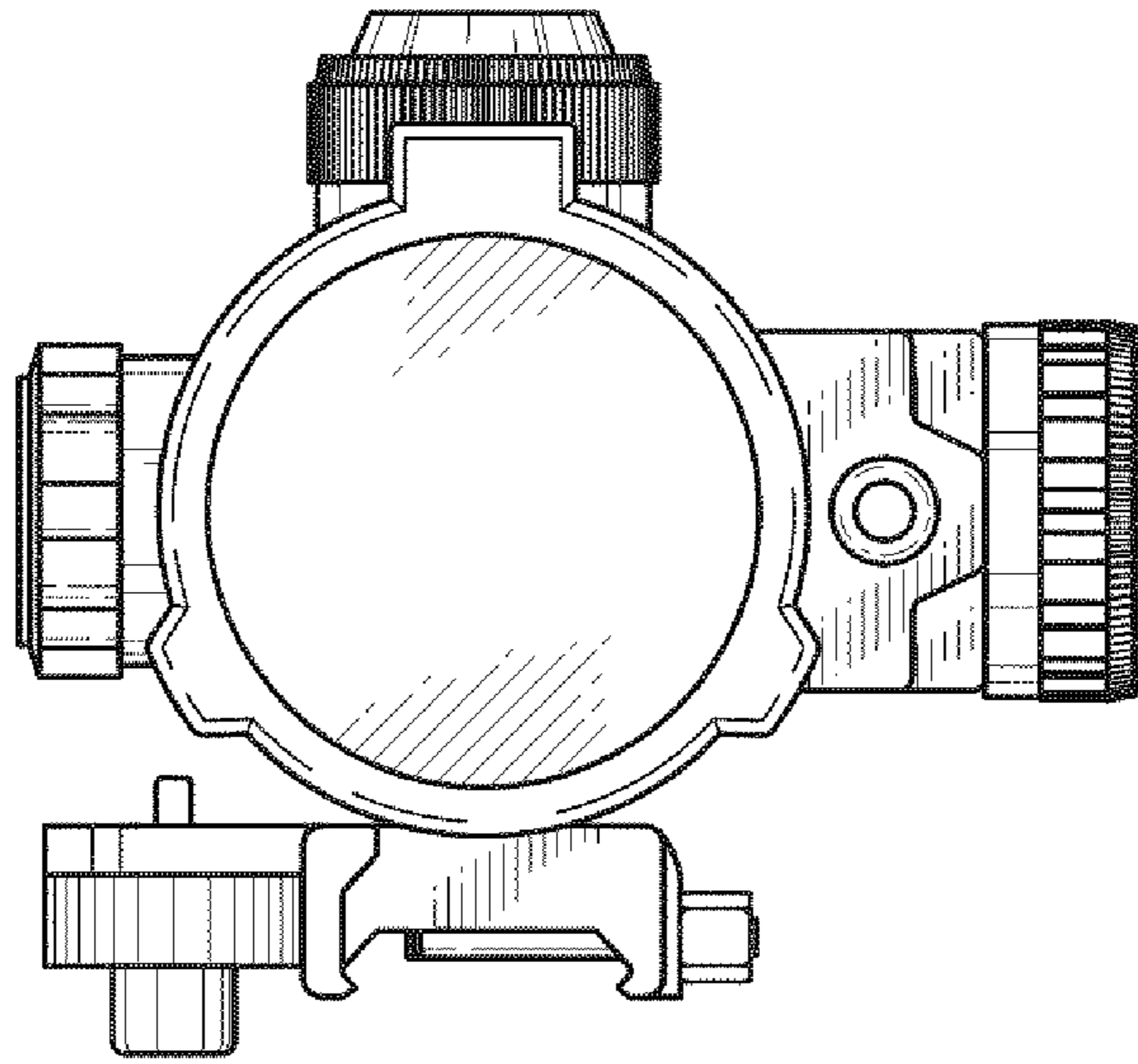
**FIG. 4**



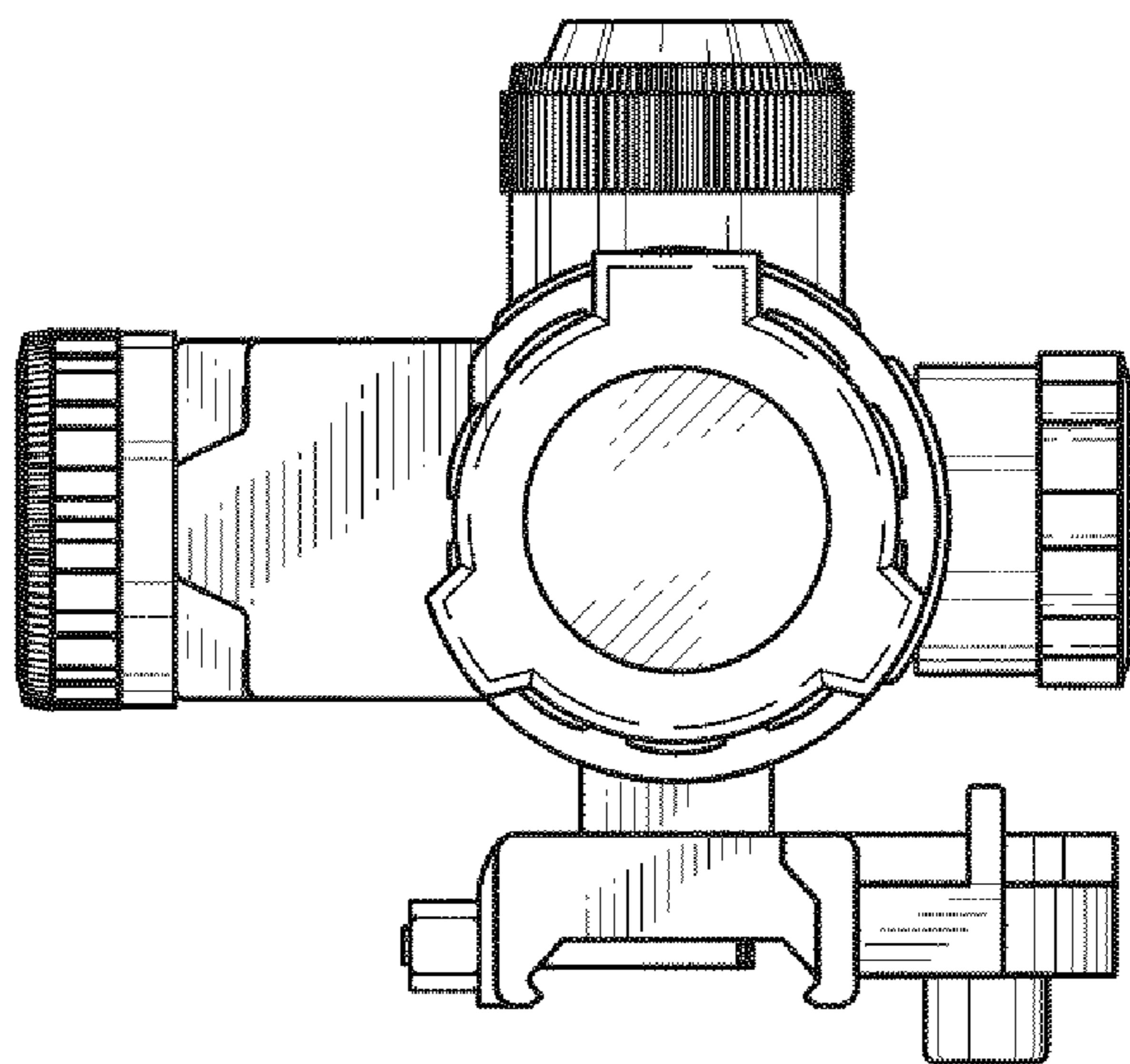
*FIG. 5*



*FIG. 6*



**FIG. 7**



**FIG. 8**