



US00D631108S

(12) **United States Design Patent**  
**Brodess et al.**

(10) **Patent No.:** **US D631,108 S**  
(45) **Date of Patent:** **\*\* Jan. 18, 2011**

(54) **MODIFIED ABDOMINAL EXERCISE DEVICE**

(75) Inventors: **David Brodess**, Austin, TX (US);  
**Michael Casey**, Austin, TX (US)

(73) Assignee: **Fitness Brands 2 LLC**, Austin, TX (US)

(\*\*) Term: **14 Years**

(21) Appl. No.: **29/357,821**

(22) Filed: **Mar. 17, 2010**

(51) **LOC (9) Cl.** ..... **21-02**

(52) **U.S. Cl.** ..... **D21/689**

(58) **Field of Classification Search** ..... D21/662,  
D21/686, 688, 689, 694; 482/51, 71, 96,  
482/131-132, 140, 142, 146-147; 601/23,  
601/33, 40, 127, 131

See application file for complete search history.

(56) **References Cited**

**U.S. PATENT DOCUMENTS**

4,313,603	A *	2/1982	Simjian	.....	482/147
4,391,441	A *	7/1983	Simjian	.....	482/131
4,989,860	A *	2/1991	Iams et al.	.....	482/132
5,052,684	A *	10/1991	Kosuge et al.	.....	482/118
D358,182	S *	5/1995	Yang	.....	D21/670
5,433,690	A *	7/1995	Gilman	.....	482/146
6,234,935	B1 *	5/2001	Chu	.....	482/51
D491,239	S *	6/2004	Lamont	.....	D21/688
6,918,856	B2 *	7/2005	Chang	.....	482/51
6,918,861	B2 *	7/2005	Liao et al.	.....	482/57
7,118,519	B2 *	10/2006	Slowinski	.....	482/146
D567,312	S *	4/2008	Tsai	.....	D21/688

7,666,121	B2 *	2/2010	Zhou	.....	482/51
D613,351	S *	4/2010	Splane	.....	D21/689
2005/0043143	A1 *	2/2005	Chuang	.....	482/51
2005/0266964	A1 *	12/2005	Teng	.....	482/71
2009/0203499	A1 *	8/2009	Svatkova Hoeven et al.	...	482/1
2009/0325767	A1 *	12/2009	Zhou	.....	482/51
2010/0062914	A1 *	3/2010	Splane	.....	482/96
2010/0190621	A1 *	7/2010	Palmer	.....	482/121

\* cited by examiner

*Primary Examiner*—Susan E Krakower

(74) *Attorney, Agent, or Firm*—Manuel F. de la Cerra;  
TechLaw LLP

(57) **CLAIM**

The ornamental design for a modified abdominal exercise device, as shown and described.

**DESCRIPTION**

FIG. 1 is a perspective view of a modified abdominal exercise device showing our new design;

FIG. 2 is a top plan view thereof;

FIG. 3 is a bottom plan view thereof;

FIG. 4 is a left side elevational view thereof;

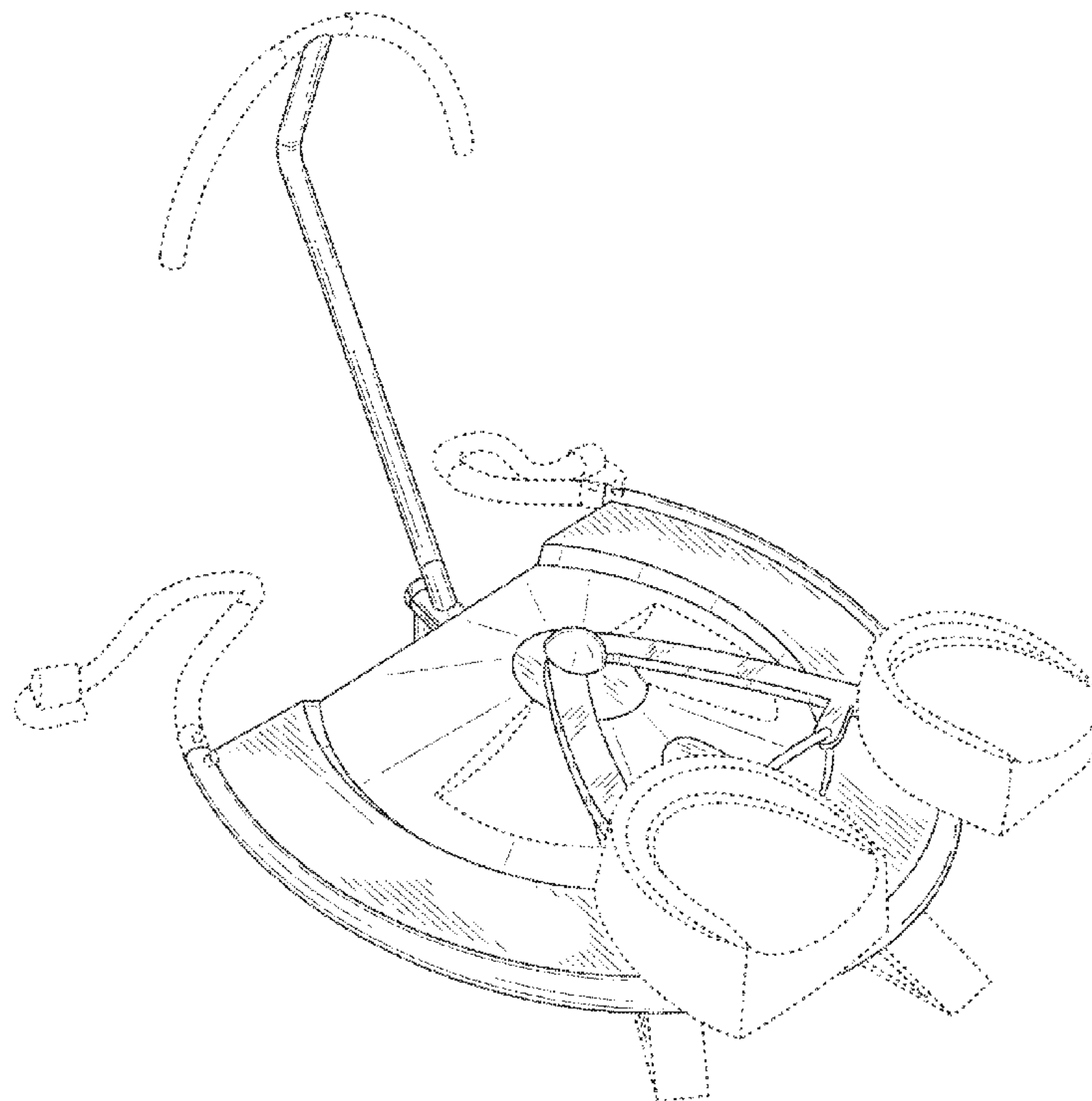
FIG. 5 is a right side elevational view thereof;

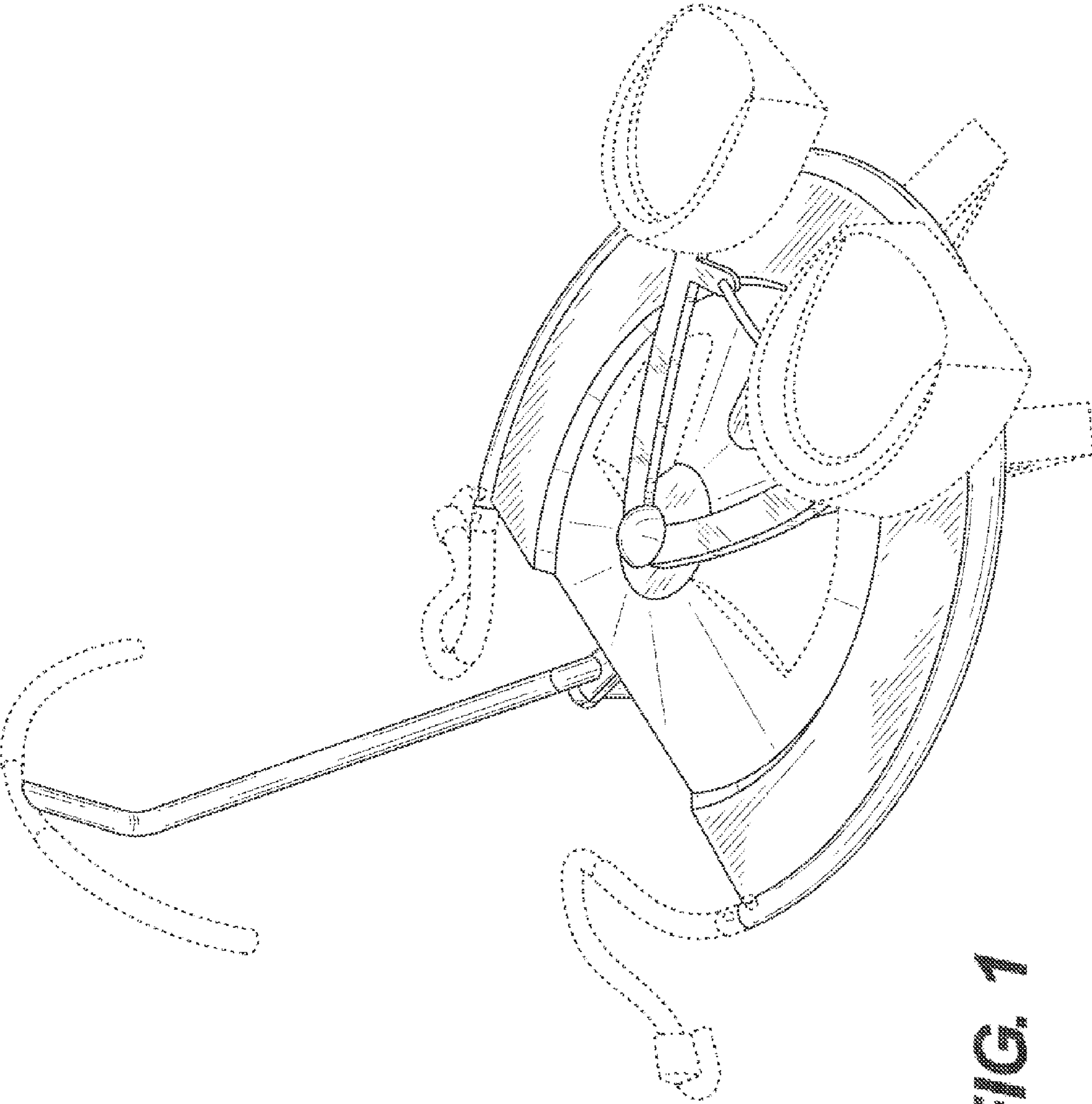
FIG. 6 is a front elevational view thereof; and,

FIG. 7 is a rear elevational view thereof.

The broken lines illustrate portions of the modified abdominal exercise device which form no part of the claimed design.

**1 Claim, 7 Drawing Sheets**





**FIG. 1**

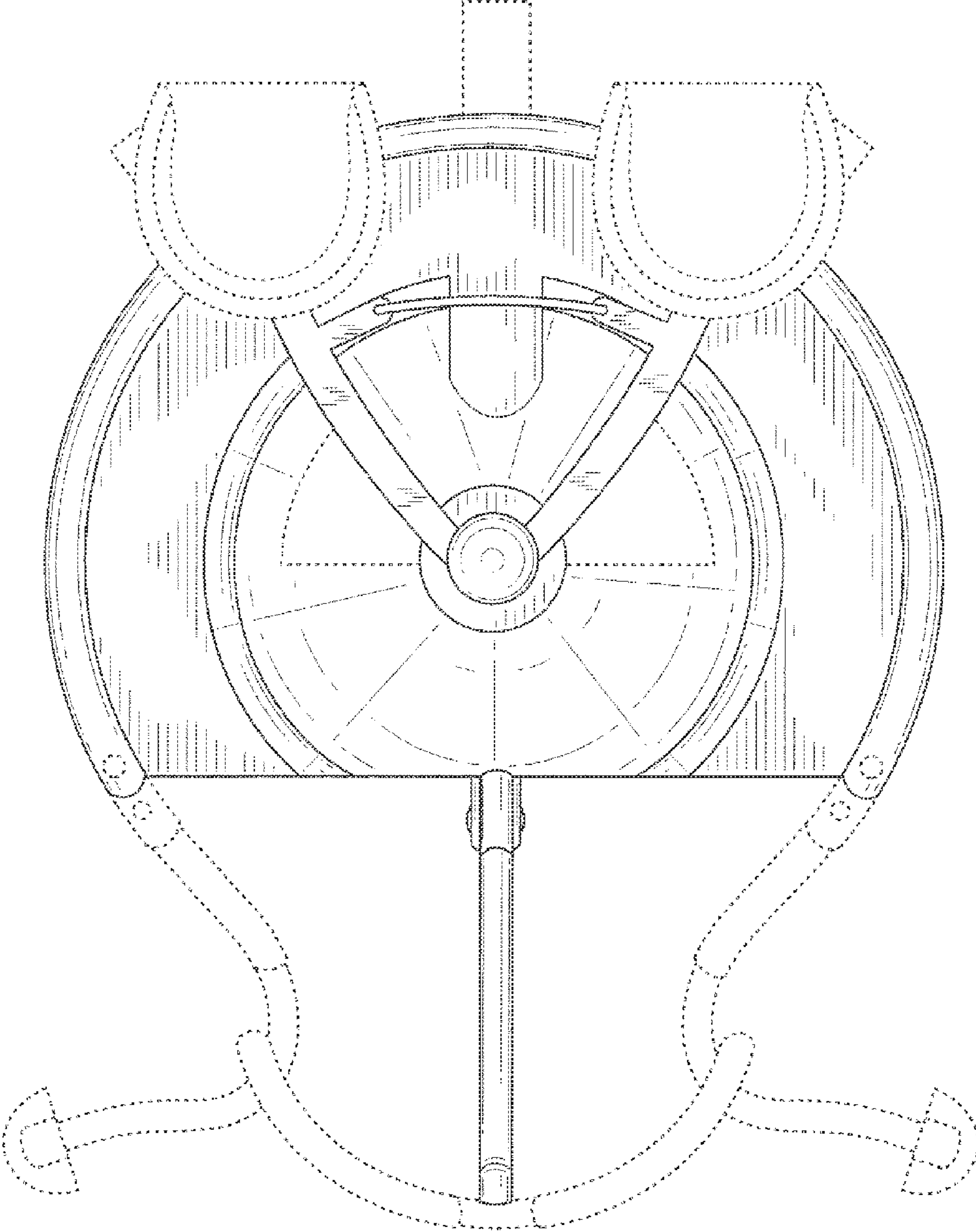


FIG. 2

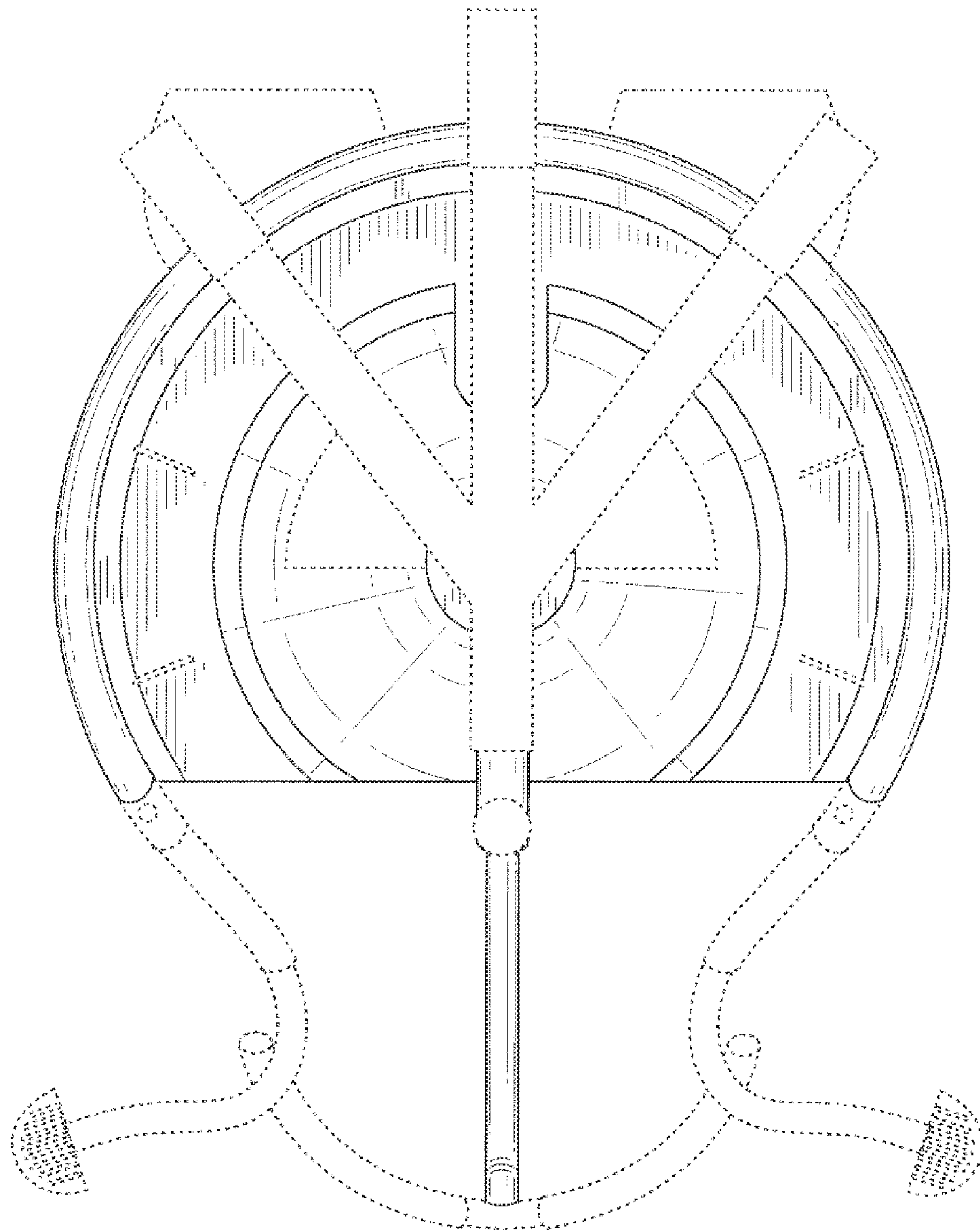


FIG. 3



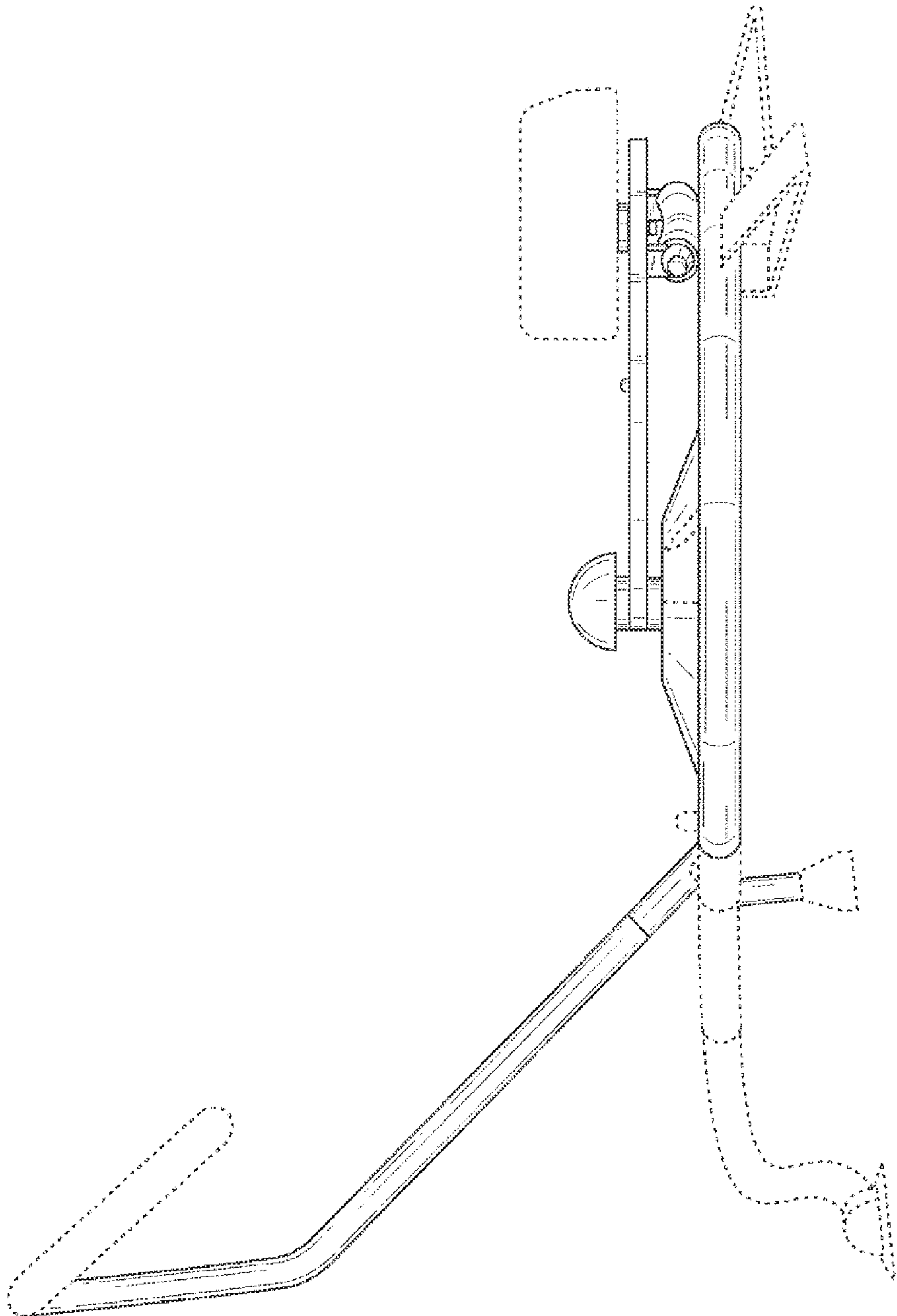


FIG. 4

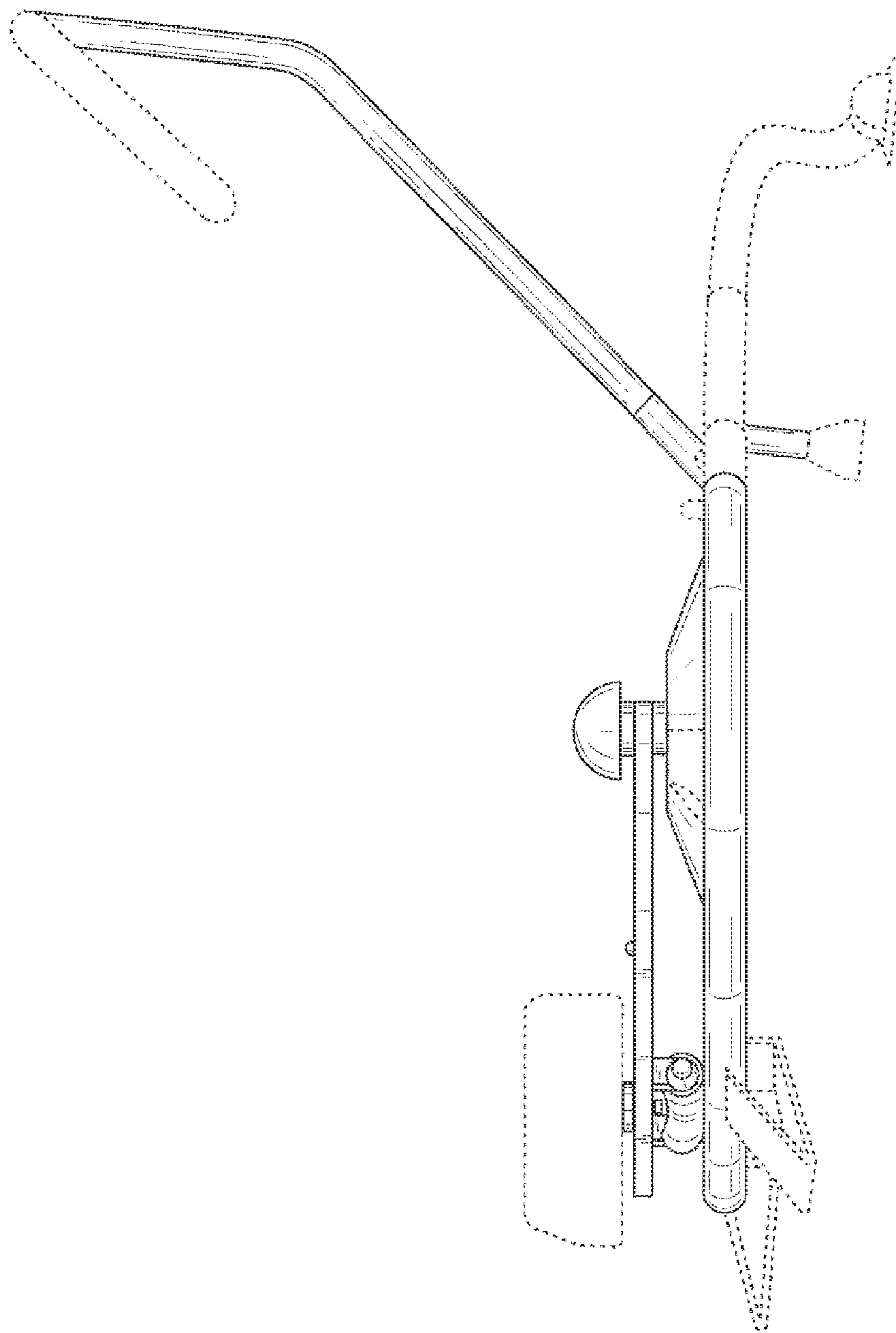
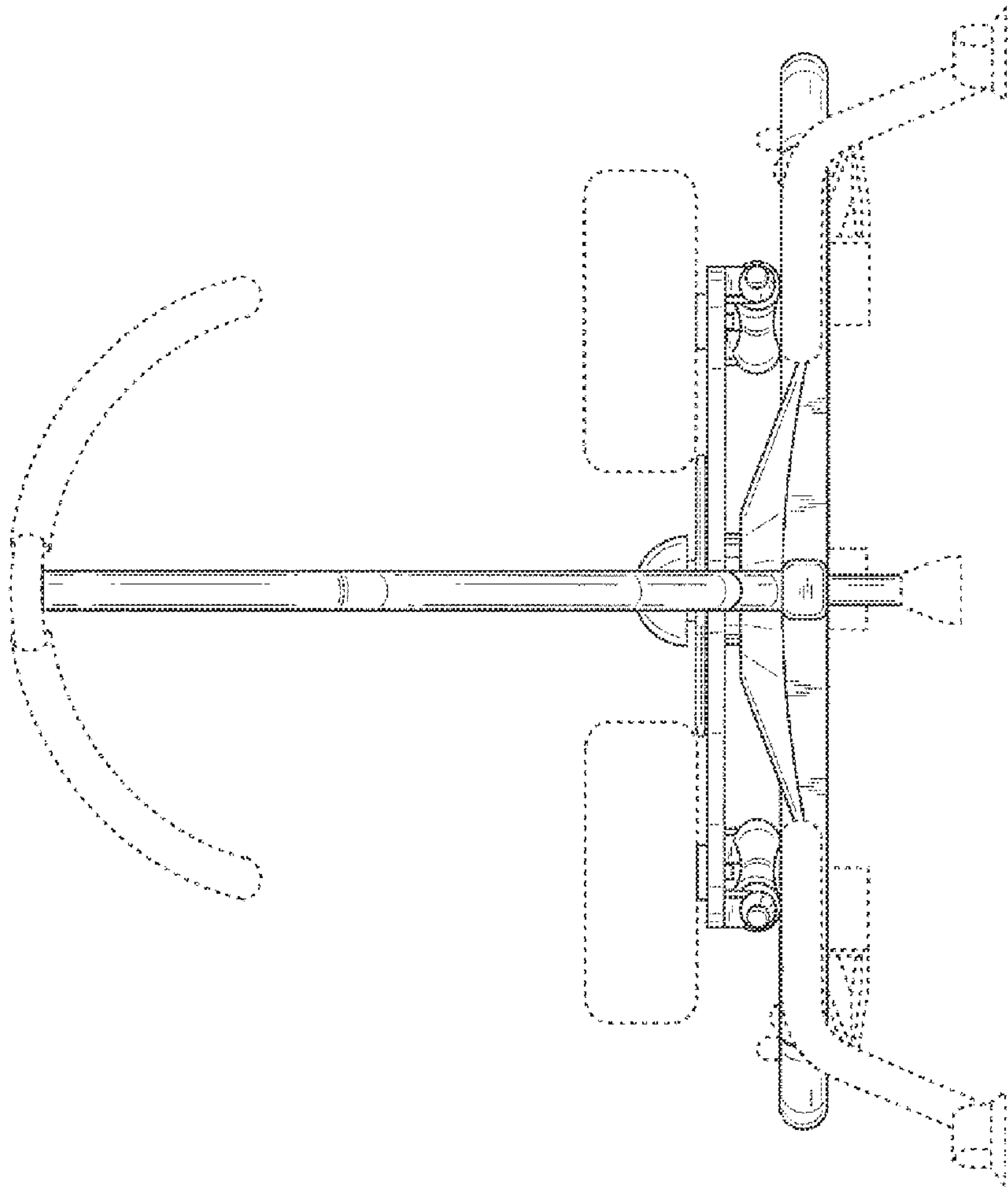


FIG. 5



**FIG. 6**

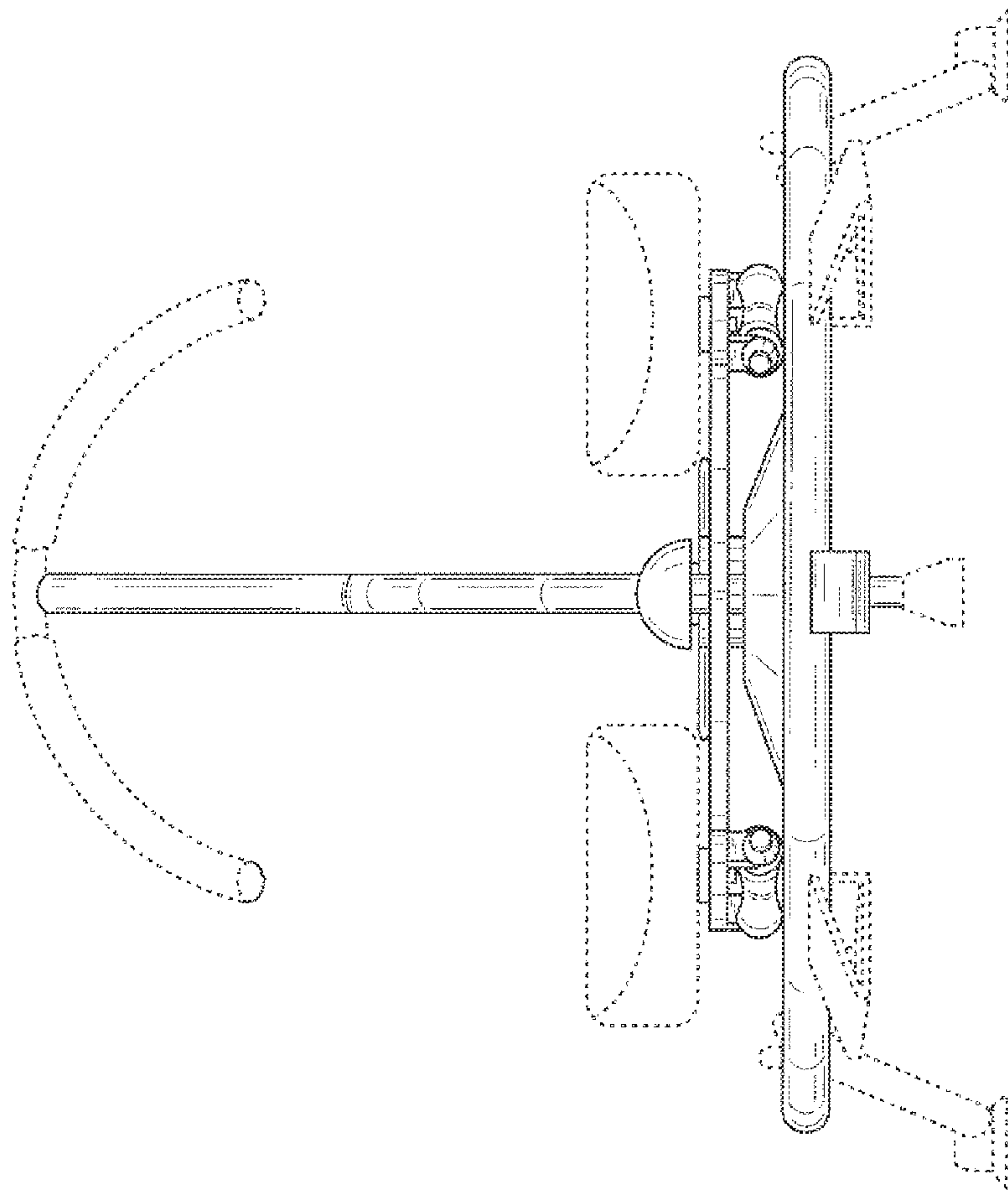


FIG. 7