



US00D631107S

(12) **United States Design Patent**
Gillis

(10) **Patent No.:** **US D631,107 S**
(45) **Date of Patent:** **** Jan. 18, 2011**

(54) **SHIN EXERCISER**

(76) Inventor: **Charles Gillis**, 23 Abbey La.,
Middleboro, MA (US) 02346

(**) Term: **14 Years**

(21) Appl. No.: **29/316,553**

(22) Filed: **Oct. 7, 2009**

Related U.S. Application Data

(63) Continuation-in-part of application No. 29/314,375,
filed on Mar. 25, 2009, now Pat. No. Des. 622,789.

(51) **LOC (9) Cl.** **21-02**

(52) **U.S. Cl.** **D21/685**

(58) **Field of Classification Search** D21/685,
D21/663, 670, 668; 482/79, 80, 148; 606/237;
601/5, 27, 34; D24/188, 213, 192
See application file for complete search history.

(56) **References Cited**

U.S. PATENT DOCUMENTS

1,509,793	A	9/1924	Thompson	
1,546,506	A *	7/1925	Naysmith	606/237
1,671,096	A	5/1928	Anderson	
1,801,769	A	4/1931	Gartner	
1,989,899	A	2/1935	Vance	
2,374,730	A	5/1945	Catlin	
2,408,160	A	9/1946	Brunner	
2,542,074	A	2/1951	Bierman	
D189,011	S	10/1960	Berne	
3,297,320	A	1/1967	Benedetto	
3,863,916	A	2/1975	Cline	
D251,313	S	3/1979	Jinotti	
D263,517	S *	3/1982	Ellington	D24/192
4,371,160	A	2/1983	Shooltz	
4,501,421	A	2/1985	Kane et al.	
4,813,666	A *	3/1989	Costilow et al.	482/80
5,035,421	A	7/1991	Scheller	
5,087,036	A *	2/1992	Cooper	482/79
5,100,129	A	3/1992	Porter et al.	
D325,968	S	5/1992	Nofsinger	

5,413,543	A	5/1995	Drago	
5,645,516	A *	7/1997	Foster	482/79
D383,813	S	9/1997	Zoller	
D384,746	S *	10/1997	Varn	D24/192
5,891,002	A	4/1999	Maki	
6,063,013	A	5/2000	Vathappallil	
6,077,203	A *	6/2000	Lay	482/79
6,390,957	B1	5/2002	Knight	
6,589,141	B1 *	7/2003	Flaggs	482/79
6,758,825	B1	7/2004	Mathew	
6,942,604	B2	9/2005	Teff	
7,179,206	B2	2/2007	Backes et al.	
7,364,534	B2	4/2008	Zoller et al.	
D596,246	S *	7/2009	Nofsinger	D21/685
7,744,513	B2 *	6/2010	Castellano	482/139
D622,789	S *	8/2010	Gillis	D21/685
2005/0137065	A1 *	6/2005	Zoller et al.	482/117
2007/0275833	A1	11/2007	Ramsey et al.	

* cited by examiner

Primary Examiner—Susan E Krakower
(74) *Attorney, Agent, or Firm*—John P. McGonagle

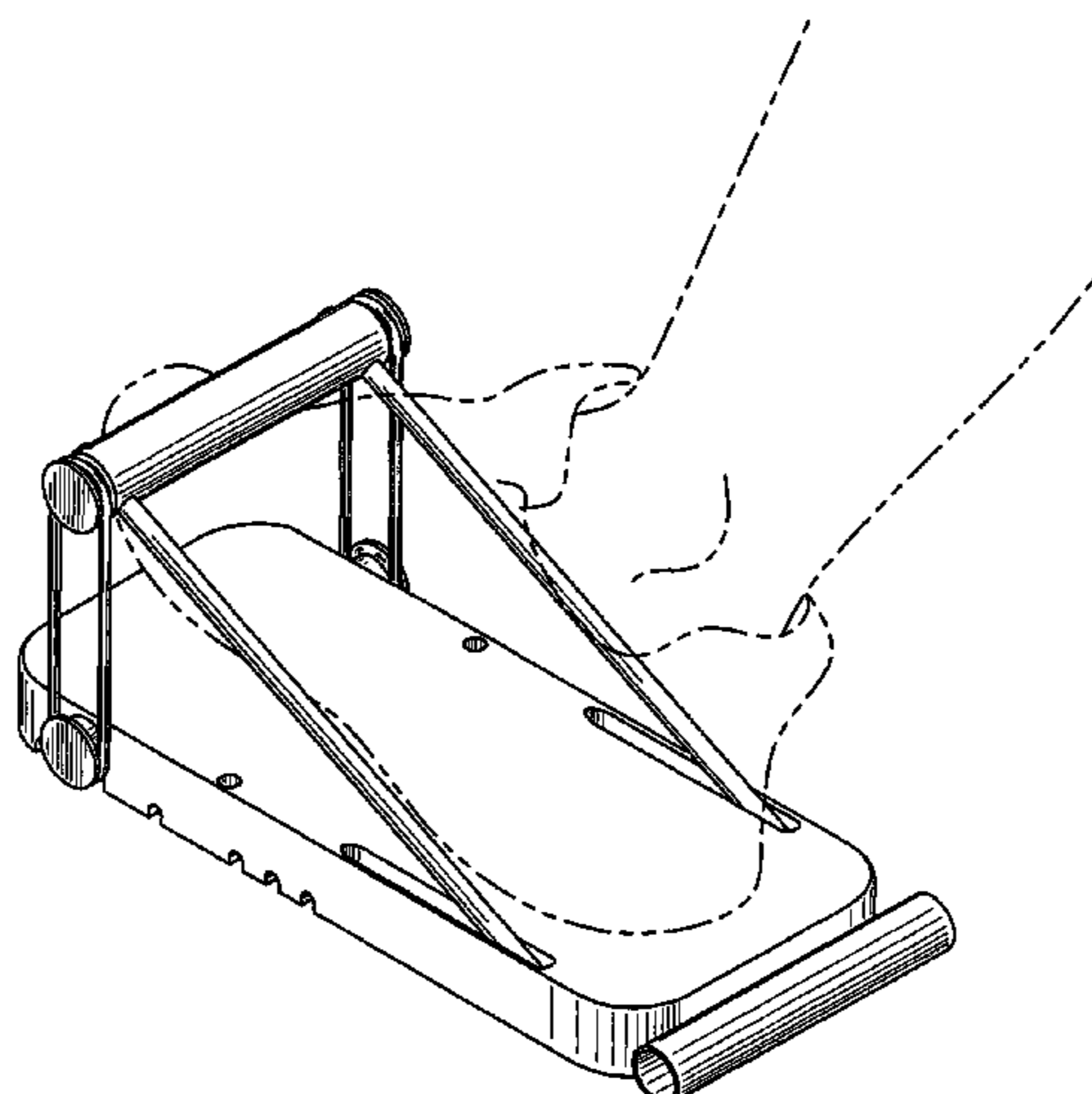
(57) **CLAIM**

The ornamental design for a shin exerciser, as shown and described.

DESCRIPTION

FIG. 1 is a perspective view of a shin exerciser showing my new design;
FIG. 2 is a bottom view thereof;
FIG. 3 is a top view thereof;
FIG. 4 is a front view thereof;
FIG. 5 is a side view thereof, the opposite side being a mirror image thereof; and,
FIG. 6 is a rear view thereof.
The broken lines in FIG. 1 showing a foot and partial leg illustrate environmental structure which forms no part of the claimed design.

1 Claim, 2 Drawing Sheets



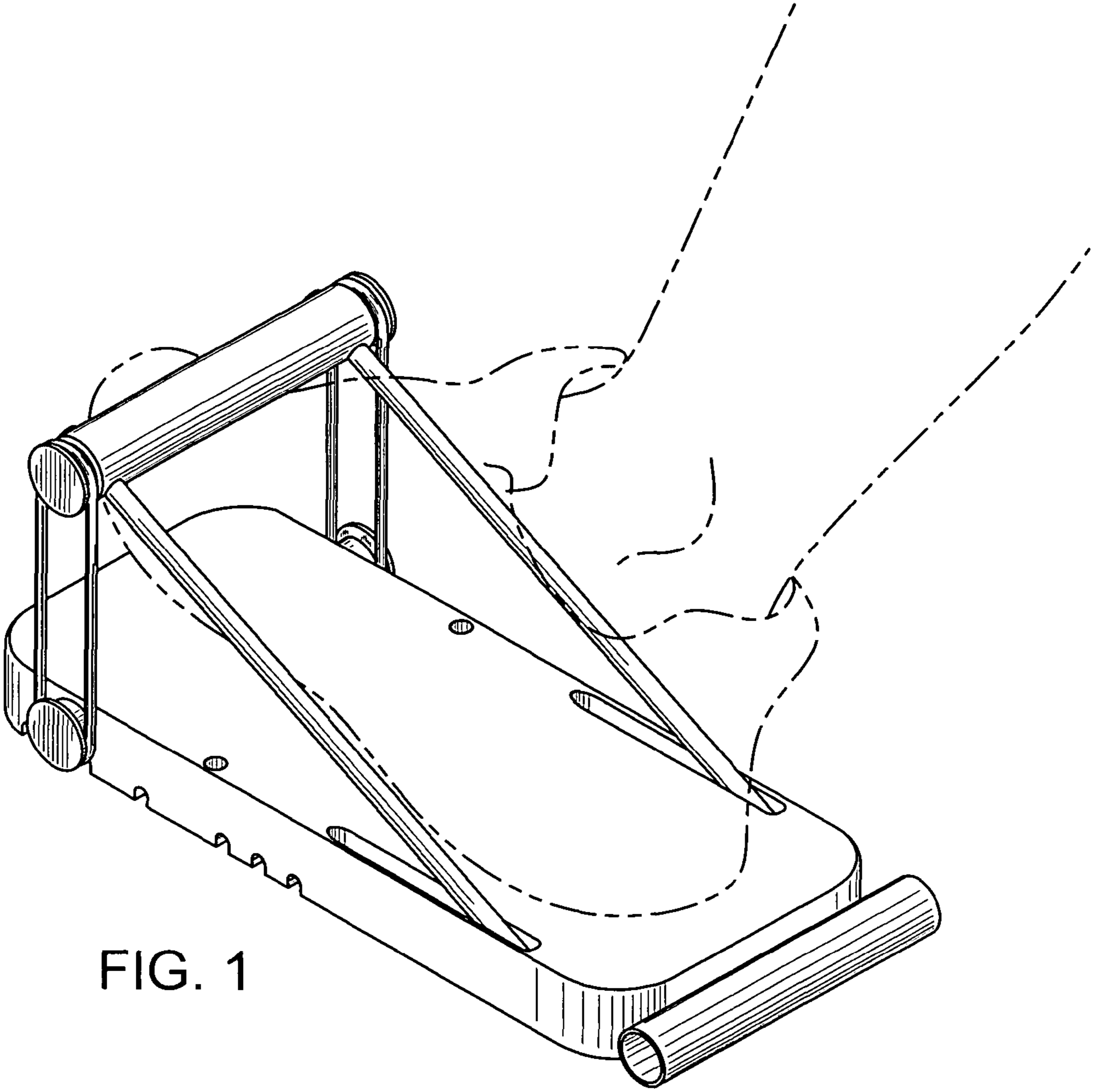


FIG. 1

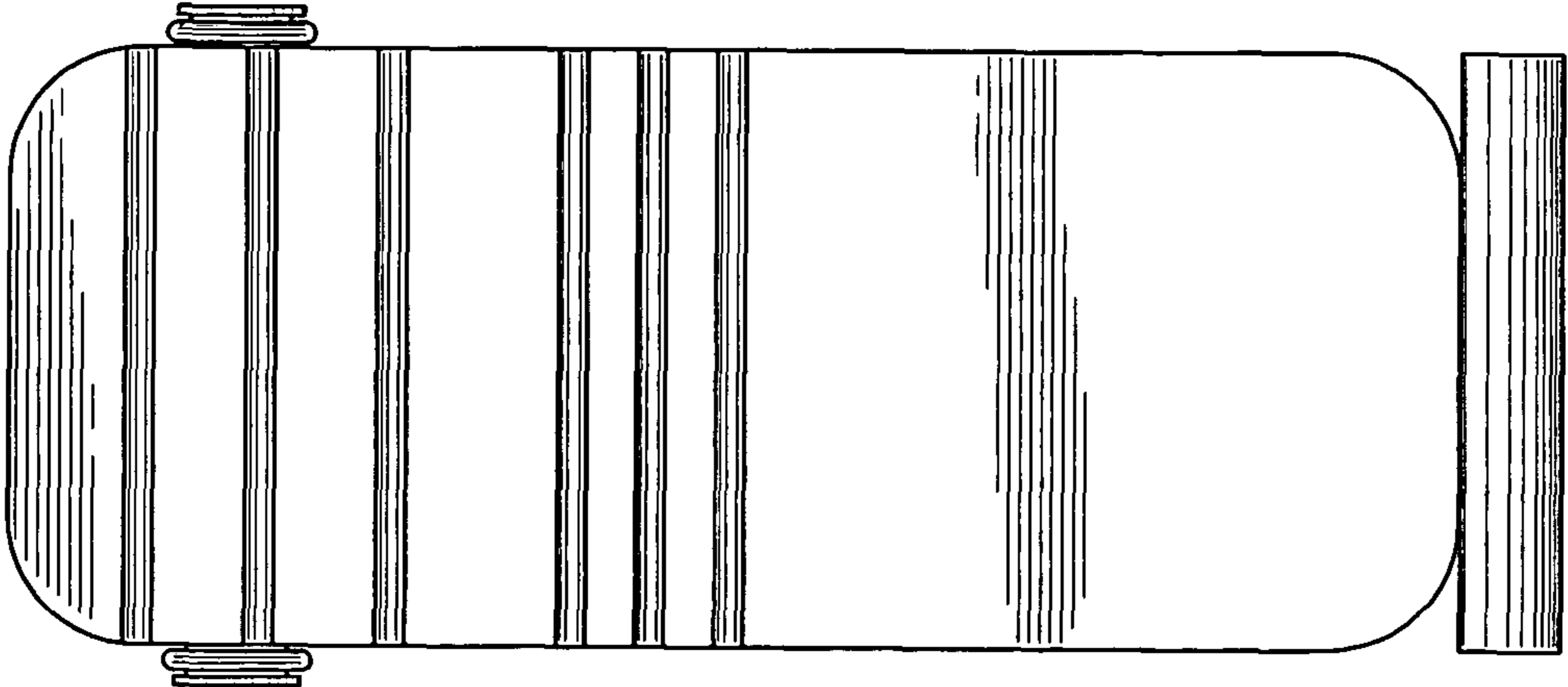


FIG. 2

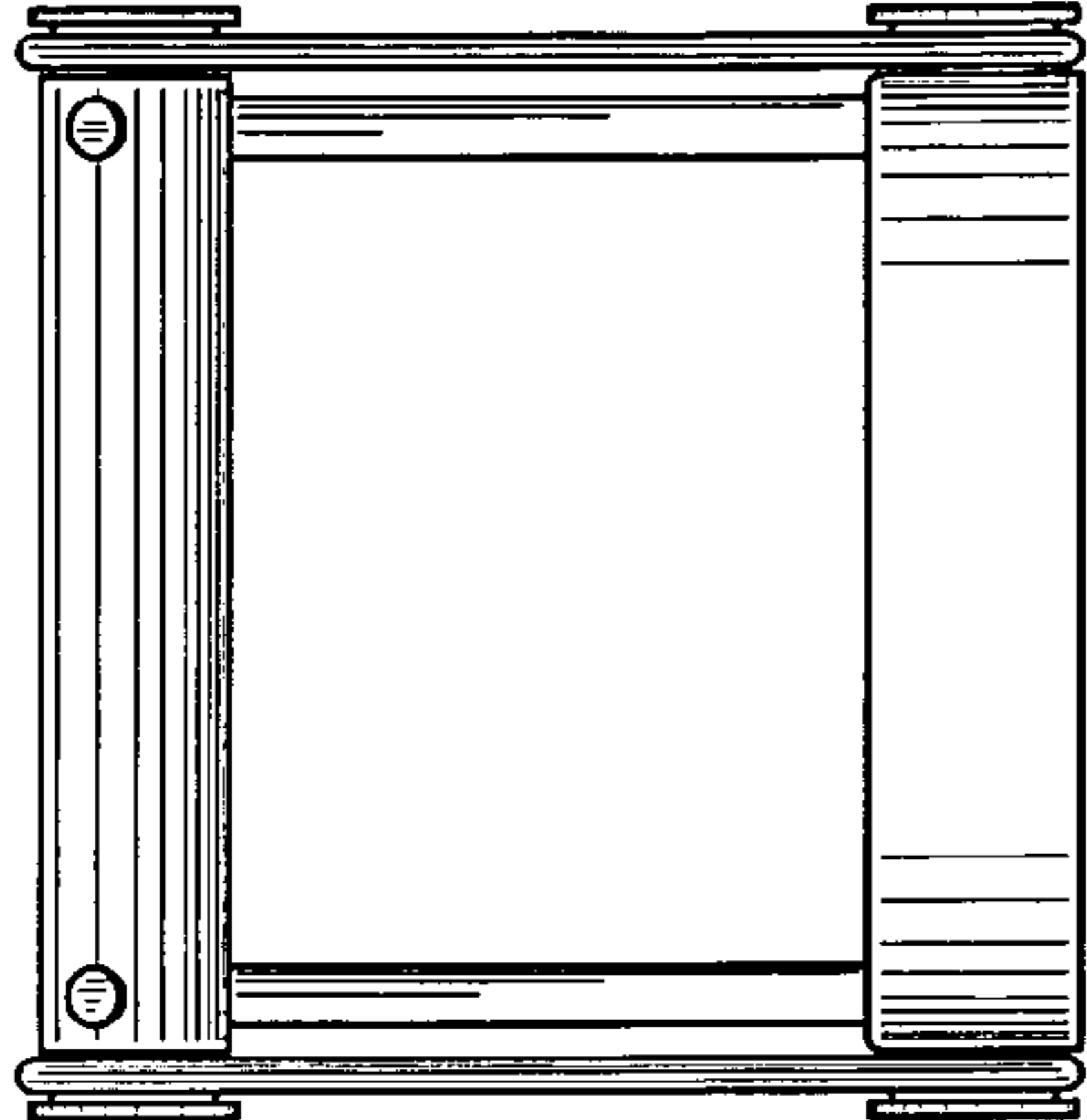


FIG. 4

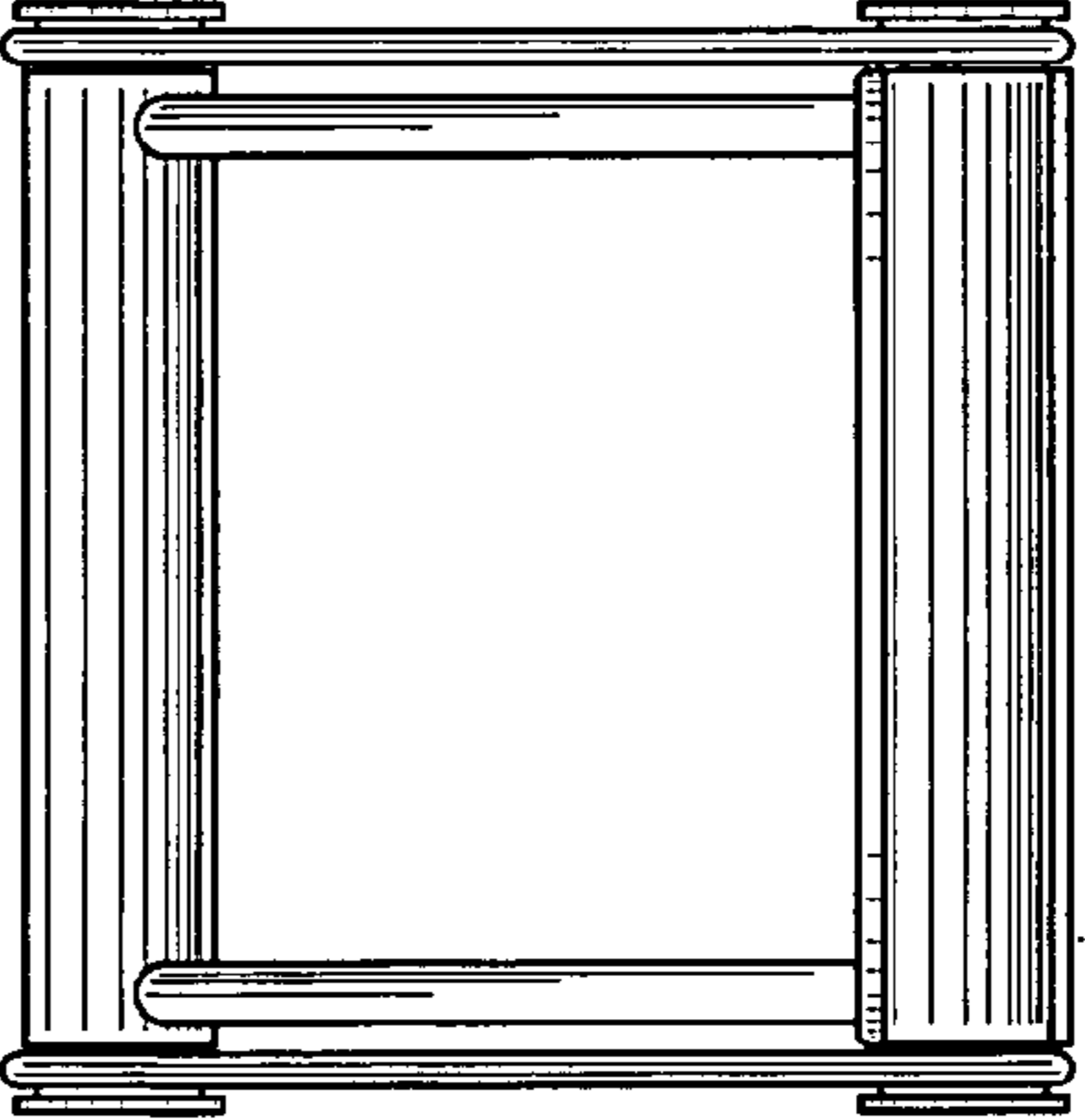


FIG. 6

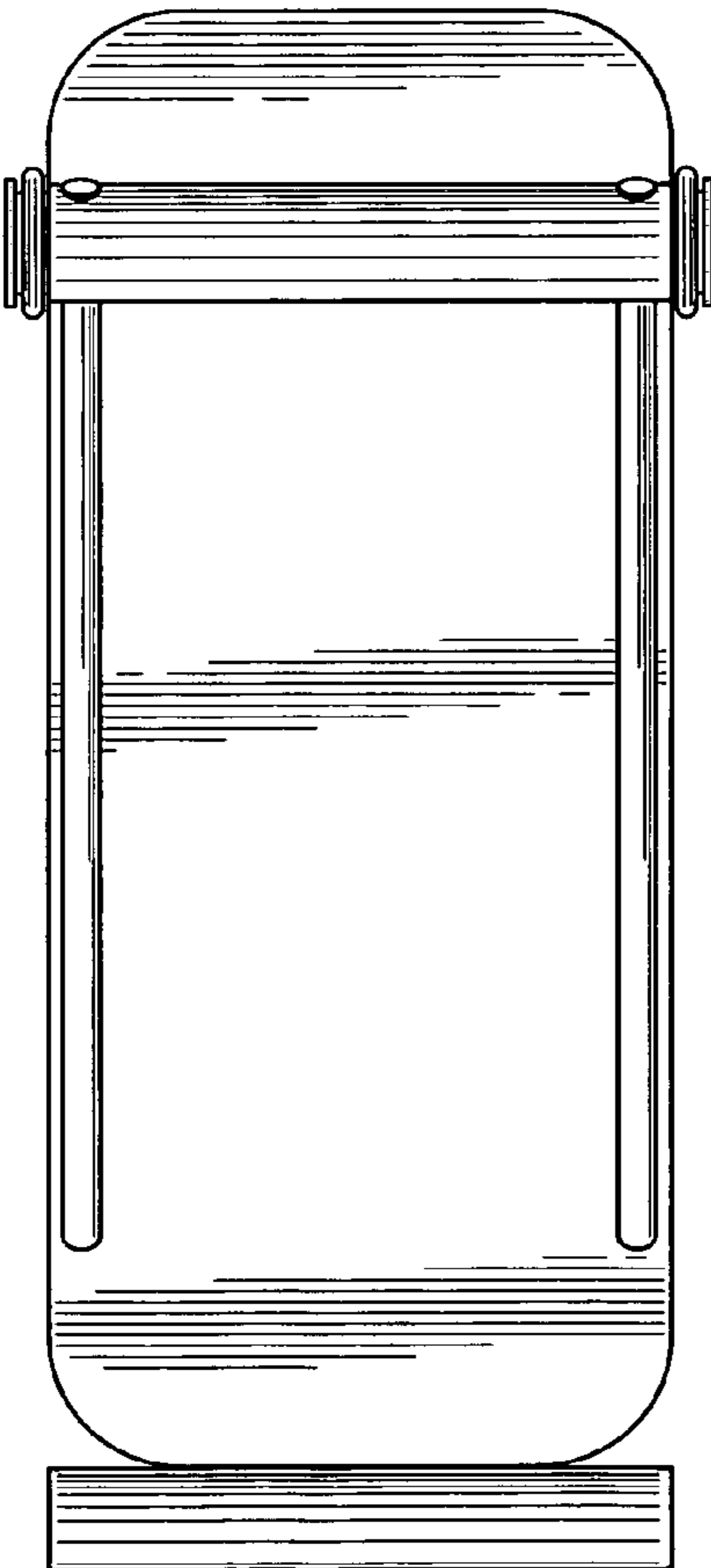


FIG. 3

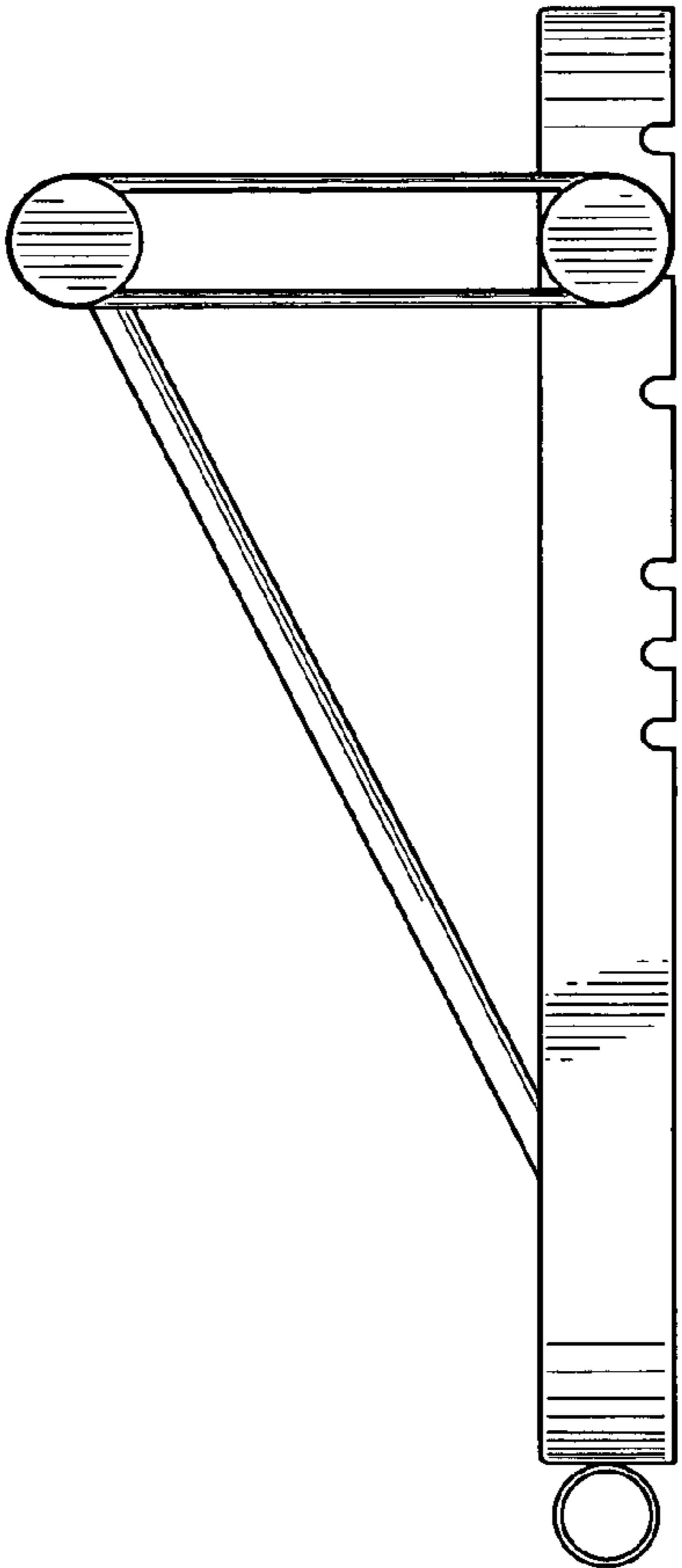


FIG. 5