



US00D631106S

(12) **United States Design Patent**
Zemel

(10) **Patent No.:** **US D631,106 S**
(45) **Date of Patent:** **** Jan. 18, 2011**

(54) **EXERCISE DEVICE**

(75) Inventor: **Marc Zemel**, Melville, NY (US)

(73) Assignee: **Mr. Bar-B-Q-, Inc.**, Old Bethpage, NY (US)

(**) Term: **14 Years**

(21) Appl. No.: **29/365,187**

(22) Filed: **Jul. 6, 2010**

(51) **LOC (9) Cl.** **21-02**

(52) **U.S. Cl.** **D21/662**

(58) **Field of Classification Search** D21/662,
D21/684, 686, 694; 482/91, 92, 95, 96, 106-108,
482/132, 141, 148

See application file for complete search history.

(56) **References Cited**

U.S. PATENT DOCUMENTS

3,115,338	A *	12/1963	Acs et al.	482/141
3,796,431	A *	3/1974	Sinyard	482/132
5,632,707	A *	5/1997	Daniel et al.	482/8
6,709,371	B2	3/2004	Wu	
6,773,379	B1 *	8/2004	Bing	482/132
D576,693	S *	9/2008	Khubani	D21/686
D579,503	S *	10/2008	Hauser et al.	D21/662
7,468,025	B2	12/2008	Hauser	
D585,947	S	2/2009	Royster	
7,503,884	B1 *	3/2009	Schall	482/141
D593,168	S *	5/2009	Khubani	D21/662

D597,153	S	7/2009	Friedman	
D599,417	S	9/2009	Friedman	
7,585,262	B1	9/2009	Vayntraub	
7,678,031	B2	3/2010	Ngu	
2006/0035771	A1 *	2/2006	Gant	482/141
2008/0305935	A1 *	12/2008	Sanghavi	482/91
2009/0298656	A1 *	12/2009	Dannenberg	482/141
2010/0210431	A1 *	8/2010	Hinton et al.	482/141
2010/0279833	A1 *	11/2010	Gant	482/141

* cited by examiner

Primary Examiner—Susan E Krakower

(74) *Attorney, Agent, or Firm*—Seth Natter; Natter & Natter

(57) **CLAIM**

The ornamental design for an exercise device, as shown and described.

DESCRIPTION

FIG. 1 is an isometric view of an exercise device showing my new design:

FIG. 2 is a front elevational view thereof;

FIG. 3 is a top plan view thereof;

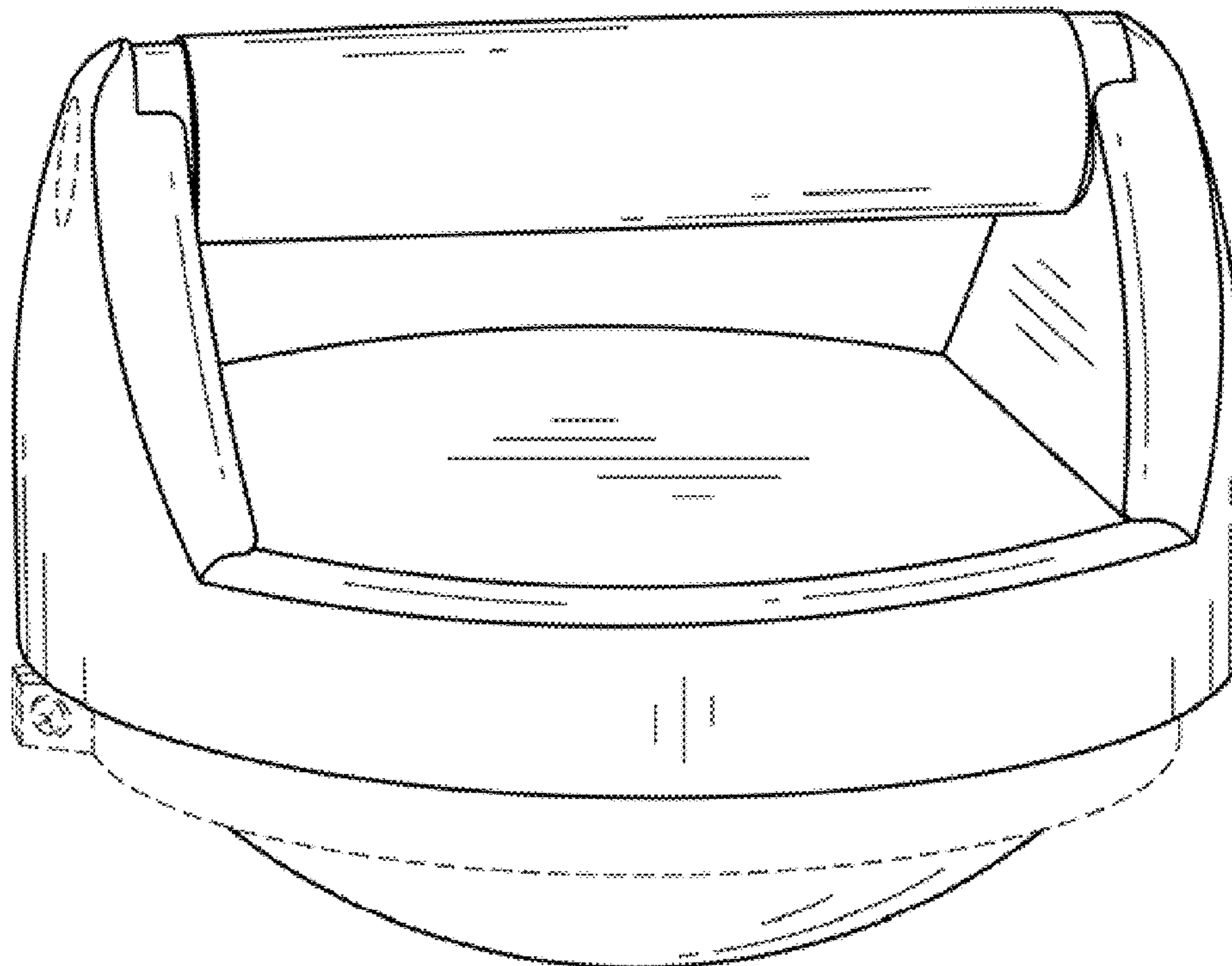
FIG. 4 is a bottom view thereof;

FIG. 5 is a side elevational view thereof; the opposite side being a mirror image thereof; and,

FIG. 6 is a rear elevational view thereof.

The broken lines illustrate portions of the exercise device which form no part of the claimed design.

1 Claim, 3 Drawing Sheets



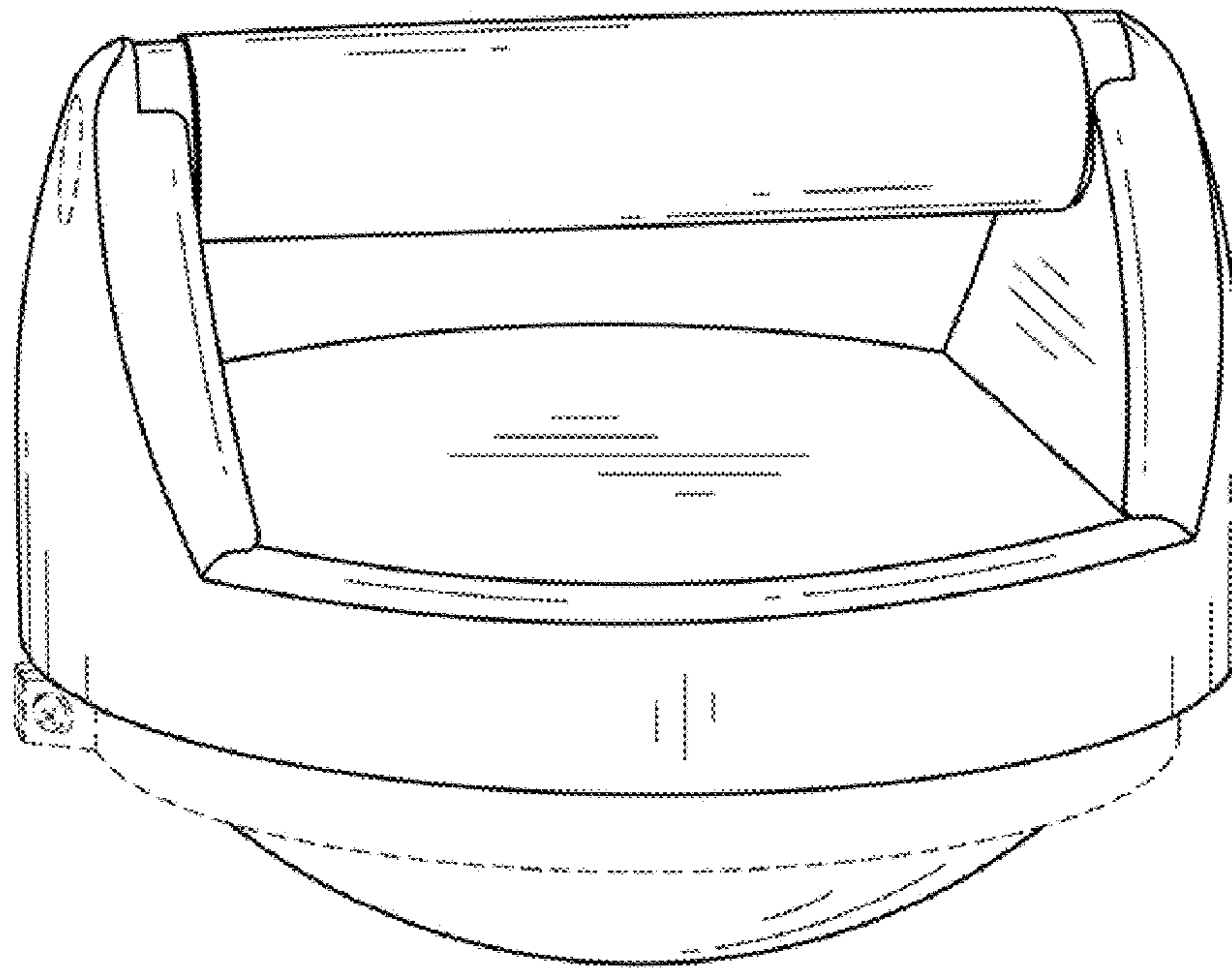


Fig. 1

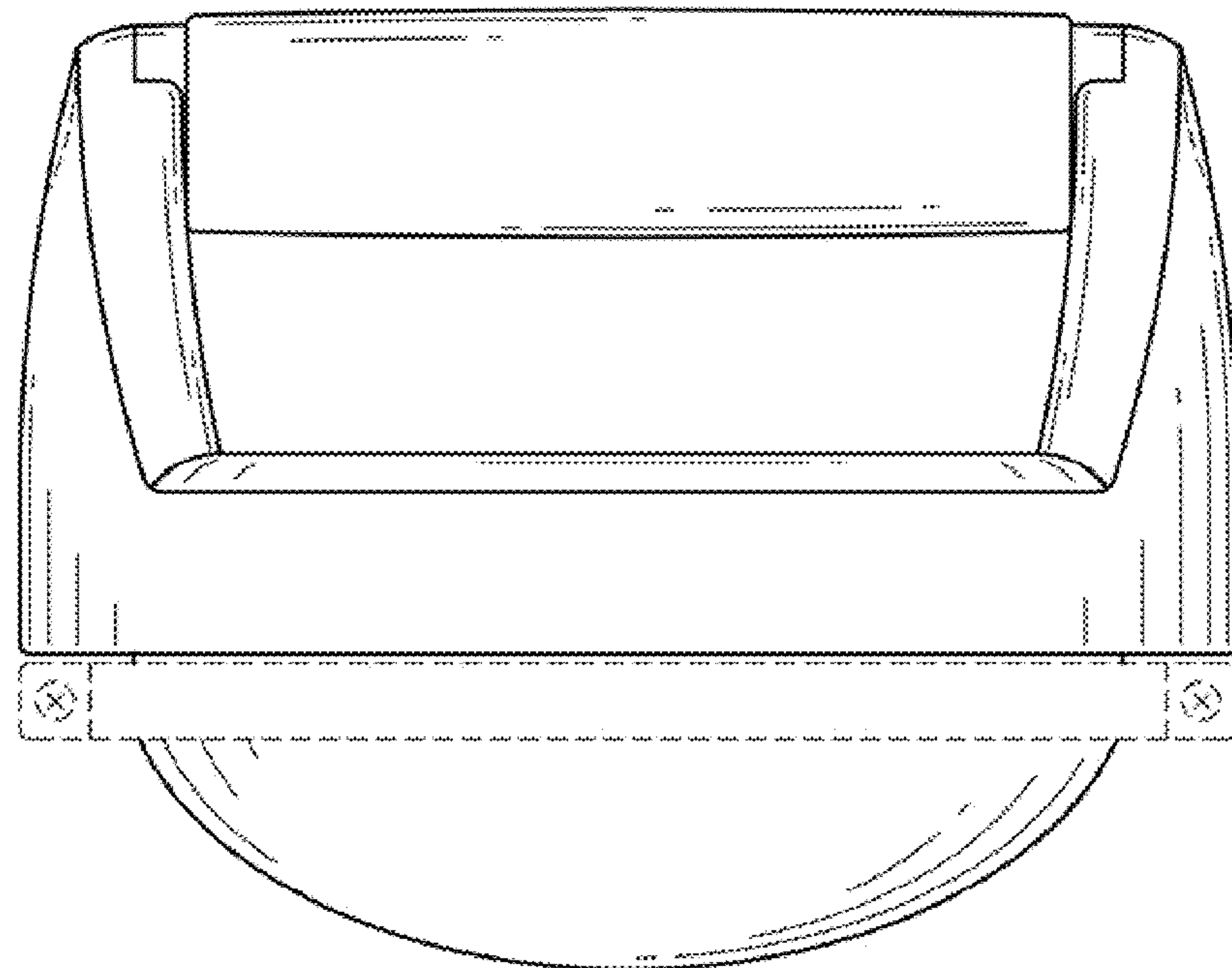


Fig. 2

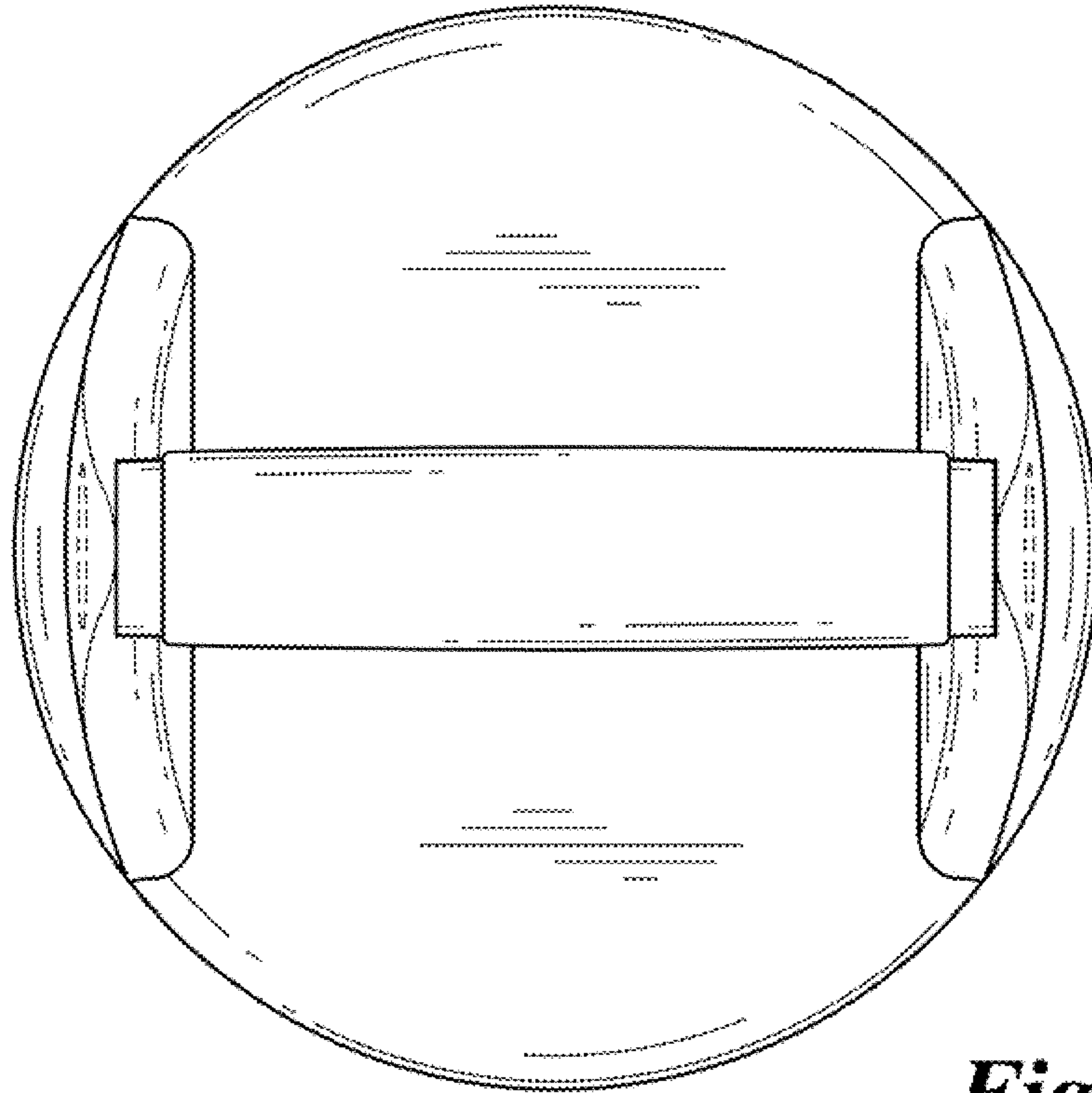


Fig. 3

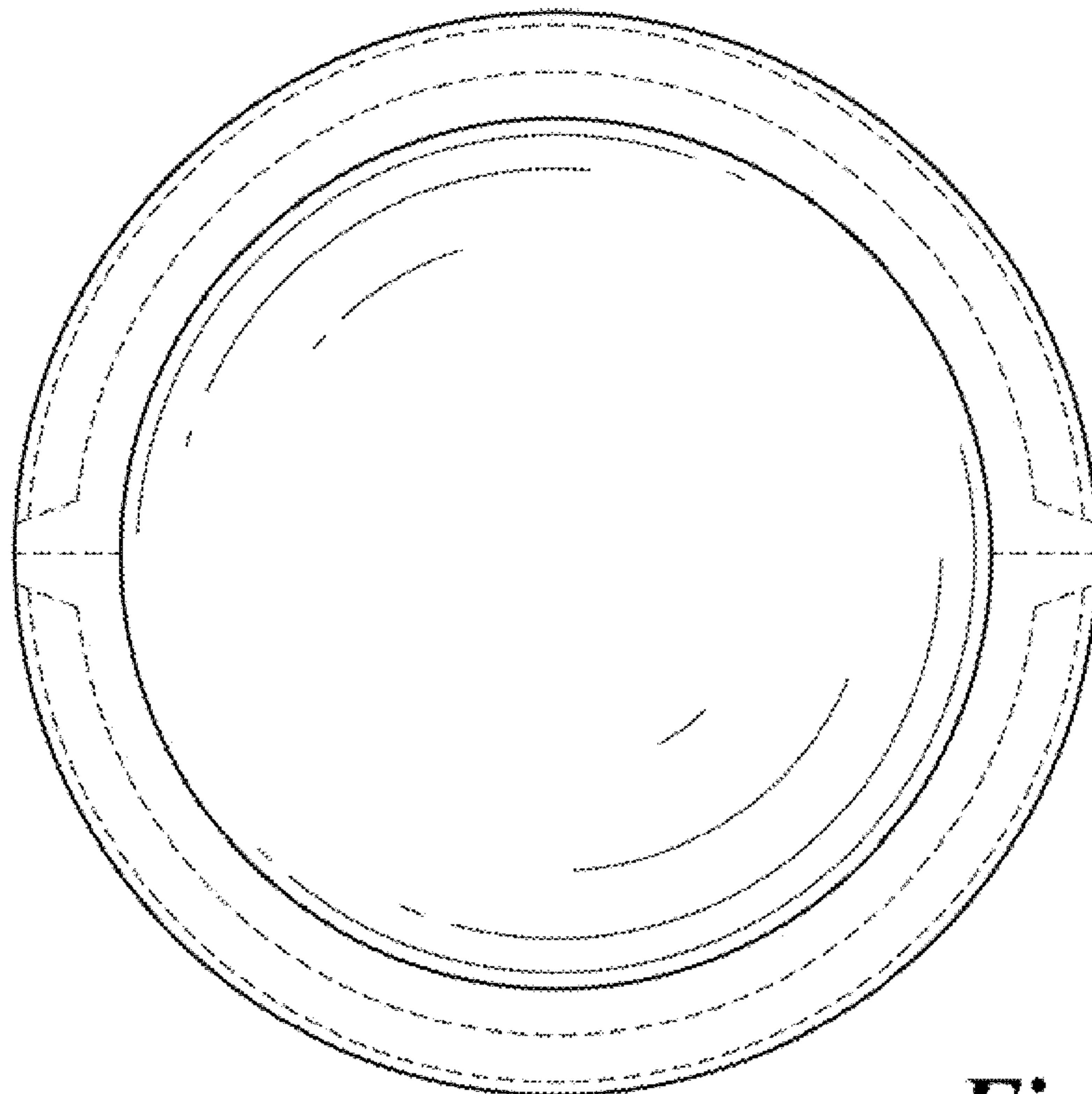


Fig. 4

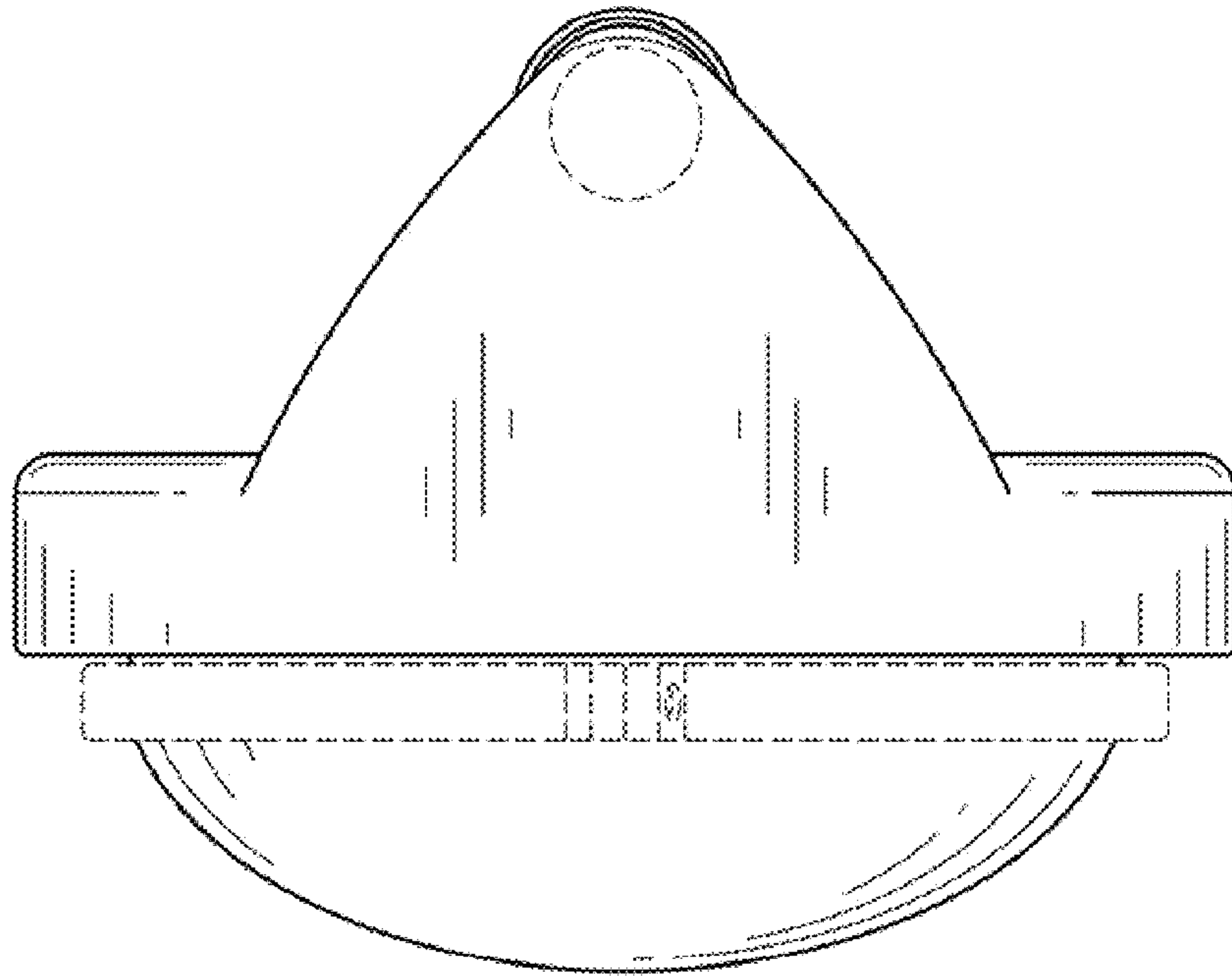


Fig. 5

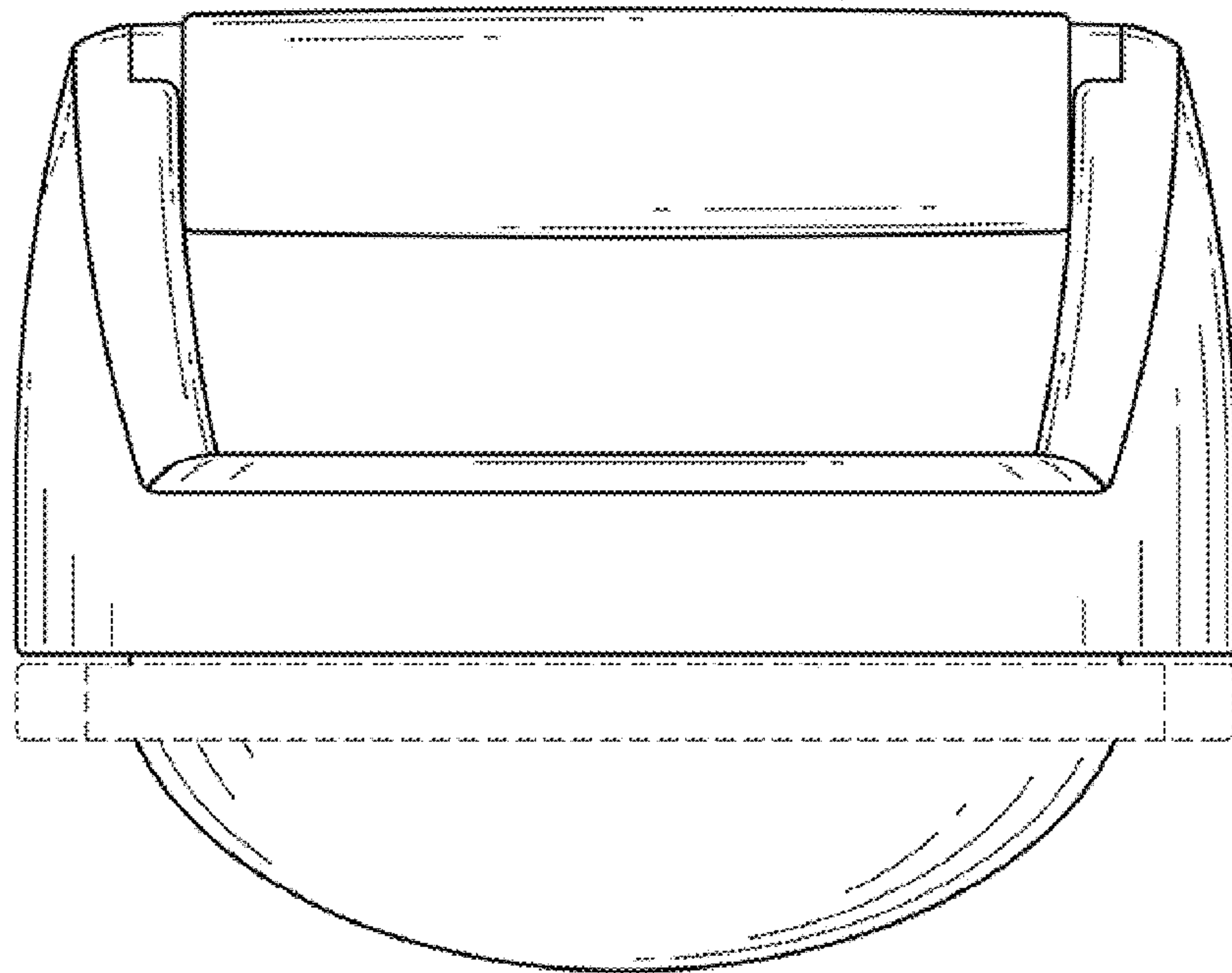


Fig. 6