



US00D631102S

(12) **United States Design Patent**
Jessie, Jr.

(10) **Patent No.:** **US D631,102 S**
(45) **Date of Patent:** **** Jan. 18, 2011**

(54) **CONVERTIBLE CHILD VEHICLE**
(75) Inventor: **Donald K. Jessie, Jr.**, Middletown, OH
(US)

(73) Assignee: **Huffy Corporation**, Centerville, OH
(US)

(**) Term: **14 Years**

(21) Appl. No.: **29/355,895**

(22) Filed: **Feb. 16, 2010**

(51) **LOC (9) Cl.** **21-01**
(52) **U.S. Cl.** **D21/424; D21/423; D21/435**
(58) **Field of Classification Search** D21/419,
D21/421, 423-428, 431-435, 548; D12/129,
D12/130, 133; 180/65.1; 280/7.1, 7.11,
280/7.15, 7.17, 47.17, 47.25, 47.38, 47.34,
280/87.01, 87.021, 87.05, 87.051, 282, 827,
280/828

See application file for complete search history.

(56) **References Cited**

U.S. PATENT DOCUMENTS

| | | | | |
|-----------|-----|---------|-----------------|----------|
| 1,328,557 | A | 1/1920 | Brauer | |
| 1,498,427 | A | 6/1924 | Dean | |
| 1,872,289 | A | 8/1932 | Hester | |
| 2,006,420 | A | 7/1935 | Thompson | |
| D230,619 | S | 3/1974 | Campbell et al. | |
| 4,095,816 | A | 6/1978 | Langieri | |
| 4,261,588 | A * | 4/1981 | Kassai | 280/7.17 |
| D261,784 | S * | 11/1981 | Fisher | D21/424 |
| 4,346,908 | A | 8/1982 | Kassai | |
| D282,087 | S * | 1/1986 | Kassai | D21/433 |
| D308,552 | S * | 6/1990 | Klawitter | D21/425 |
| D320,239 | S * | 9/1991 | Kassai | D21/424 |
| D337,973 | S | 8/1993 | Mariol | |
| D352,741 | S * | 11/1994 | Nakai | D21/424 |
| 5,362,272 | A | 11/1994 | Chow et al. | |
| 5,441,289 | A | 8/1995 | Spielberger | |
| D378,105 | S * | 2/1997 | Nakai | D21/433 |
| 5,813,720 | A | 9/1998 | Huang | |
| 5,845,963 | A | 12/1998 | Huang | |

D422,320 S * 4/2000 Huntsberger D21/433
D423,059 S * 4/2000 Chuan D21/432
D424,126 S 5/2000 Goes et al.

(Continued)

FOREIGN PATENT DOCUMENTS

EP 1 419 960 12/2007

OTHER PUBLICATIONS

Mark A. Laipple; Declaration of Mark A. Laipple; Aug. 13, 2010; 3 pages.

Primary Examiner—Cynthia M Chin

(74) *Attorney, Agent, or Firm*—Wood, Herron & Evans, L.L.P.

(57) **CLAIM**

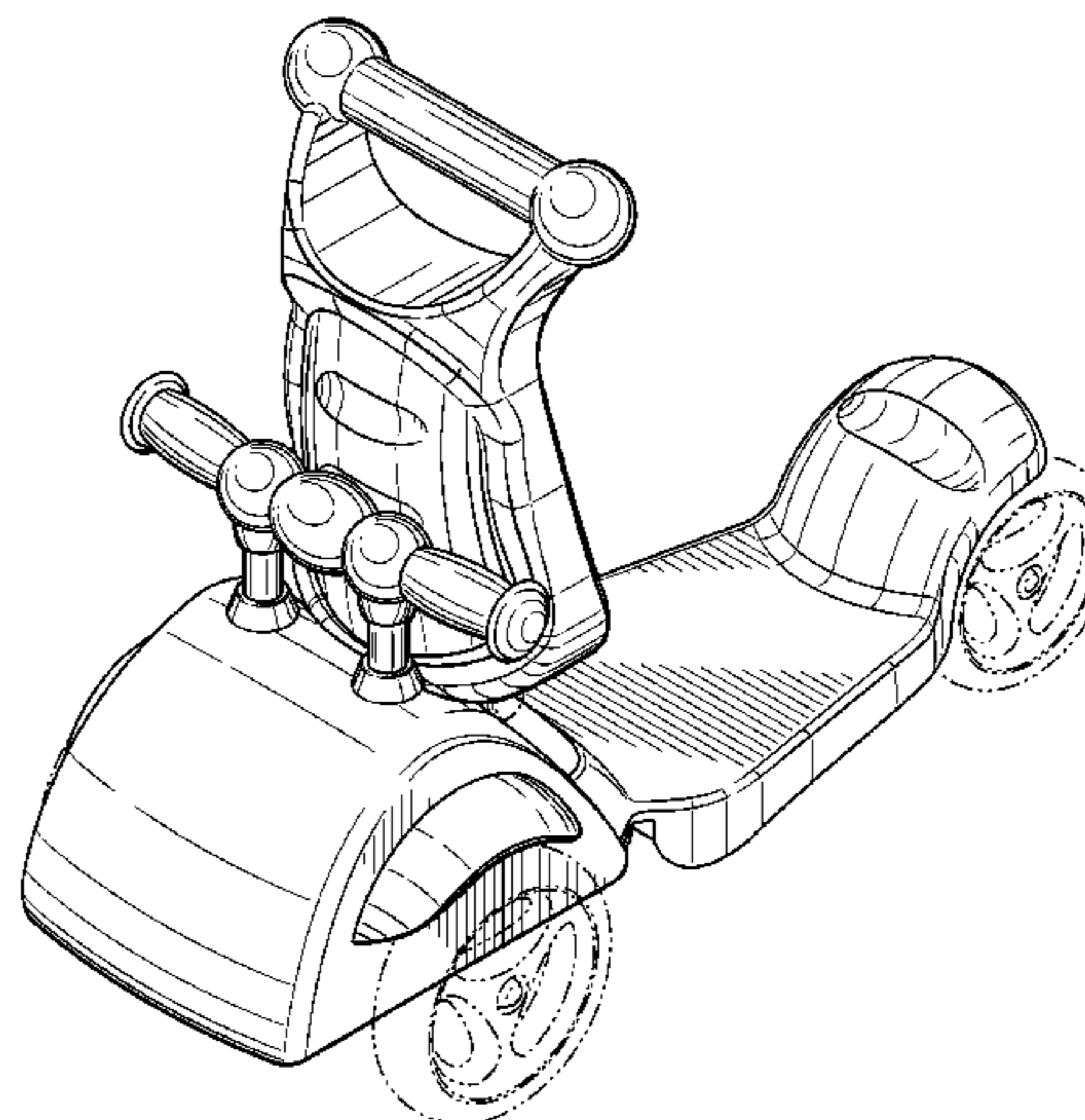
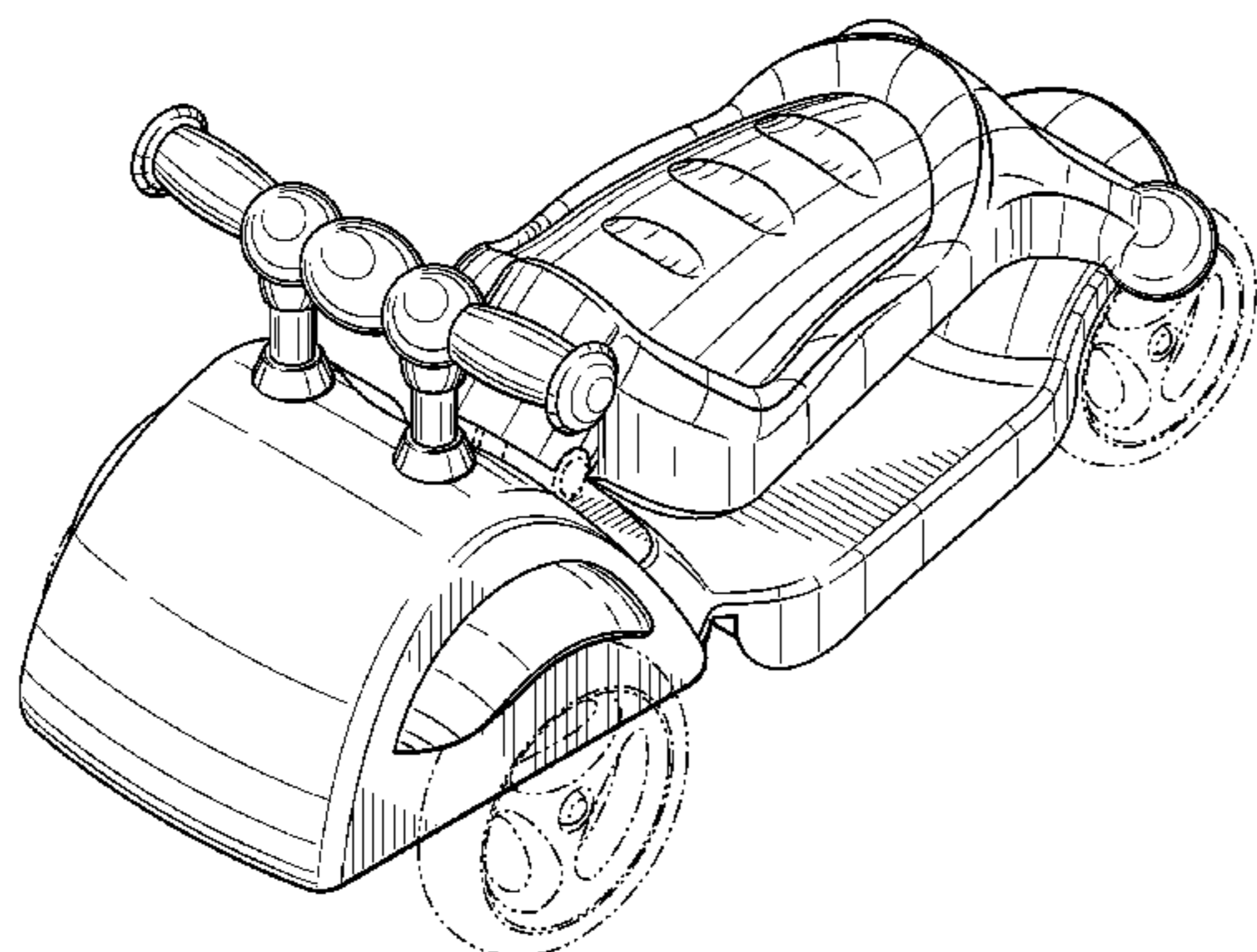
The ornamental design for a convertible child vehicle, as shown and described.

DESCRIPTION

FIG. 1 is a perspective view of my new, original and ornamental design;
FIG. 2 is another perspective view thereof;
FIG. 3 is a front view thereof;
FIG. 4 is a right side view thereof;
FIG. 5 is a rear view thereof;
FIG. 6 is a left side view thereof;
FIG. 7 is a top view thereof; and,
FIG. 8 is a bottom view thereof.

The phantom lines of the convertible child vehicle are directed to environment and are for illustrative purposes only. The phantom lines form no part of the claimed design. Additionally, the unshown portion of the convertible child vehicle forms no part of the claimed design.

1 Claim, 8 Drawing Sheets



US D631,102 S

Page 2

| U.S. PATENT DOCUMENTS | | | | | | | |
|-----------------------|-----|---------|-------------------|--------------|-----|---------|------------------|
| 6,089,586 | A | 7/2000 | Rudell et al. | 7,159,882 | B2 | 1/2007 | Buhrman |
| 6,296,268 | B1 | 10/2001 | Ford et al. | 7,347,432 | B2 | 3/2008 | Myers et al. |
| D456,858 | S * | 5/2002 | Huntsberger | D571,861 | S * | 6/2008 | On D21/423 |
| 6,446,981 | B1 | 9/2002 | Wise et al. | D571,863 | S * | 6/2008 | On D21/424 |
| 6,456,858 | S * | 5/2002 | Huntsberger | 7,455,308 | B2 | 11/2008 | Michelau et al. |
| 6,446,981 | B1 | 9/2002 | Wise et al. | D589,851 | S | 4/2009 | Jane Santamaria |
| 6,695,327 | B1 | 2/2004 | Maggiore et al. | 2002/0000702 | A1 | 1/2002 | Charron |
| 6,863,287 | B2 | 3/2005 | Myers et al. | 2008/0179850 | A1 | 7/2008 | Catelli |
| 7,055,841 | B2 | 6/2006 | Buhrman | | | | |
| D533,603 | S * | 12/2006 | Chung | | | | |

* cited by examiner

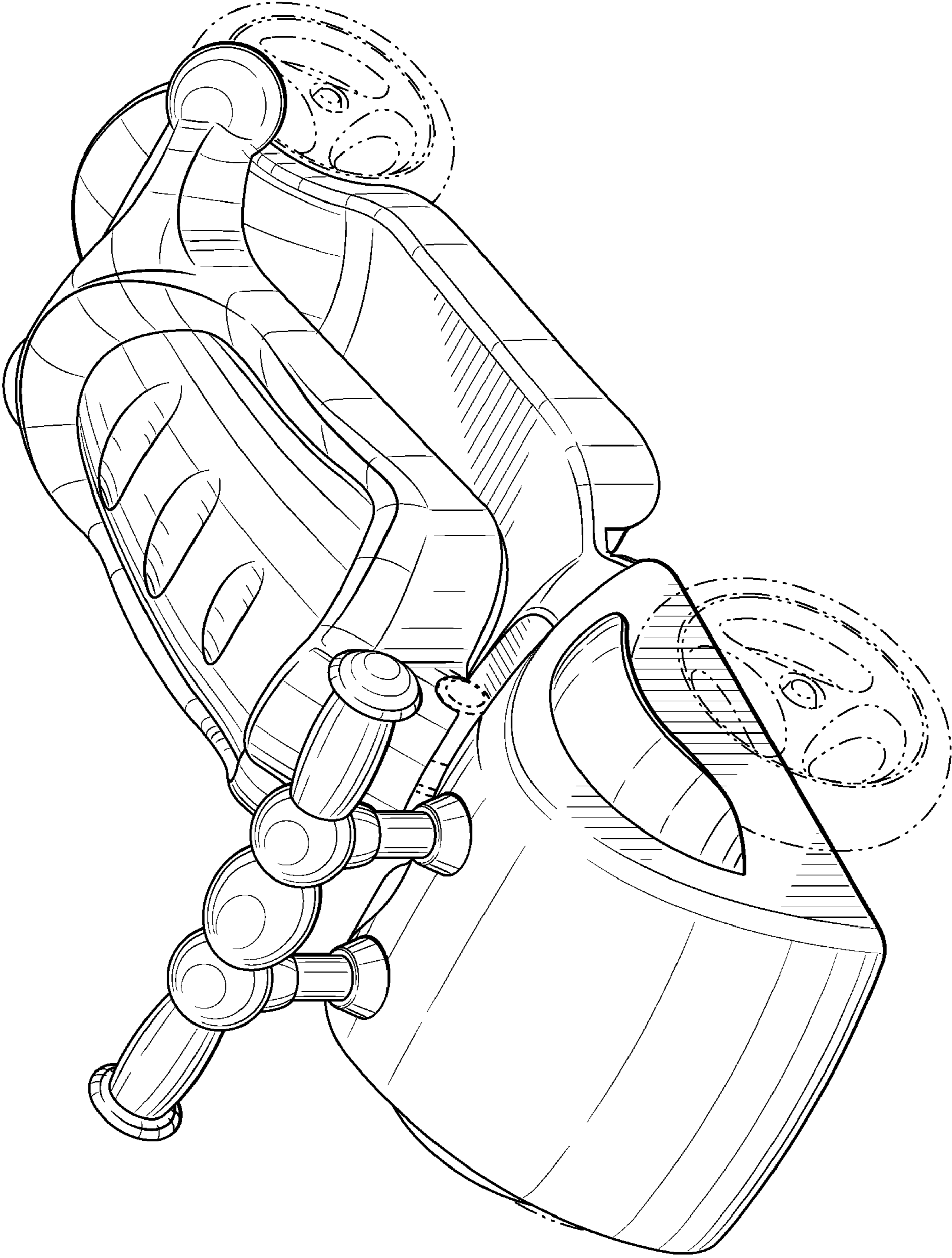


FIG. 1

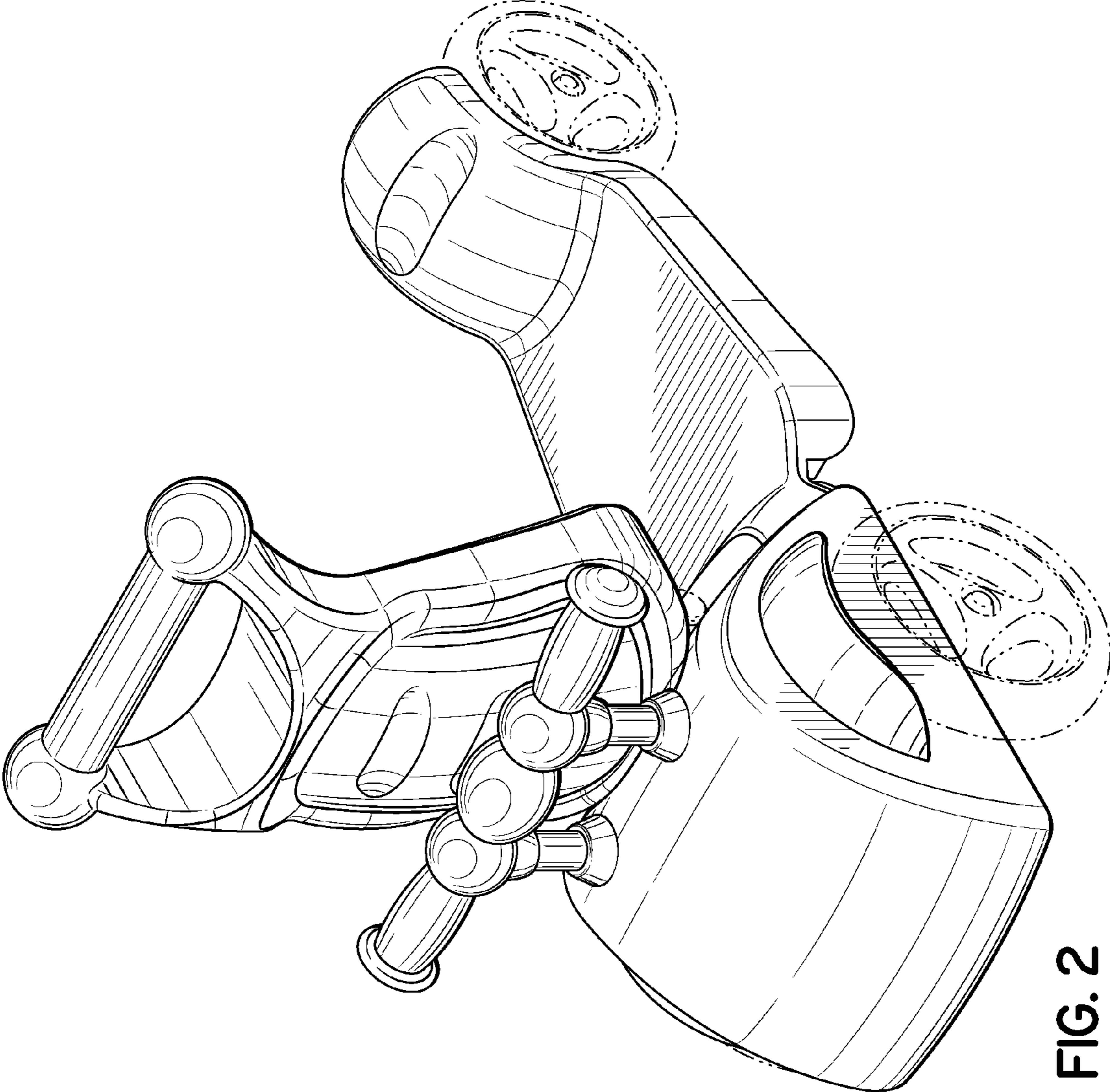


FIG. 2

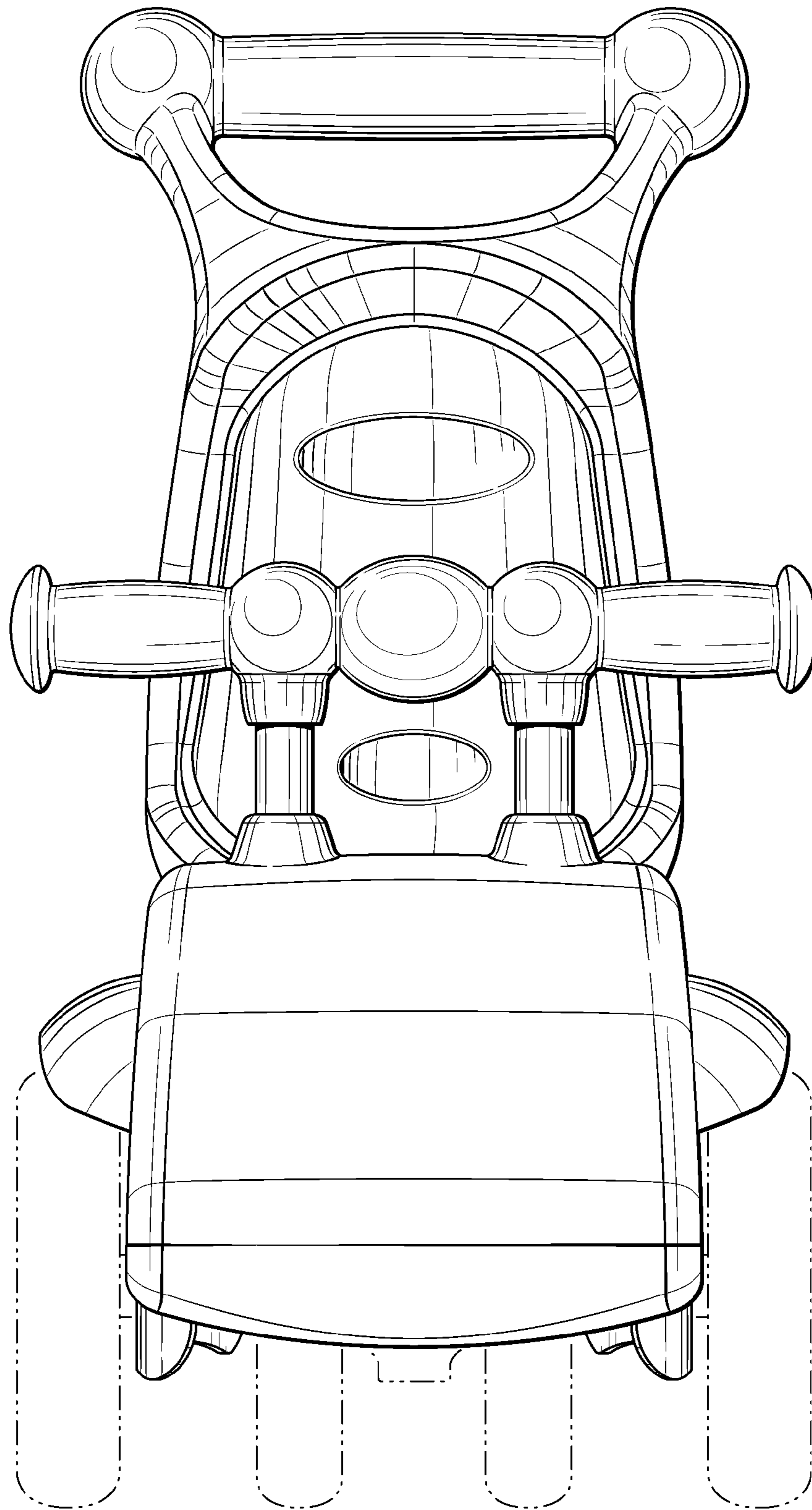


FIG. 3

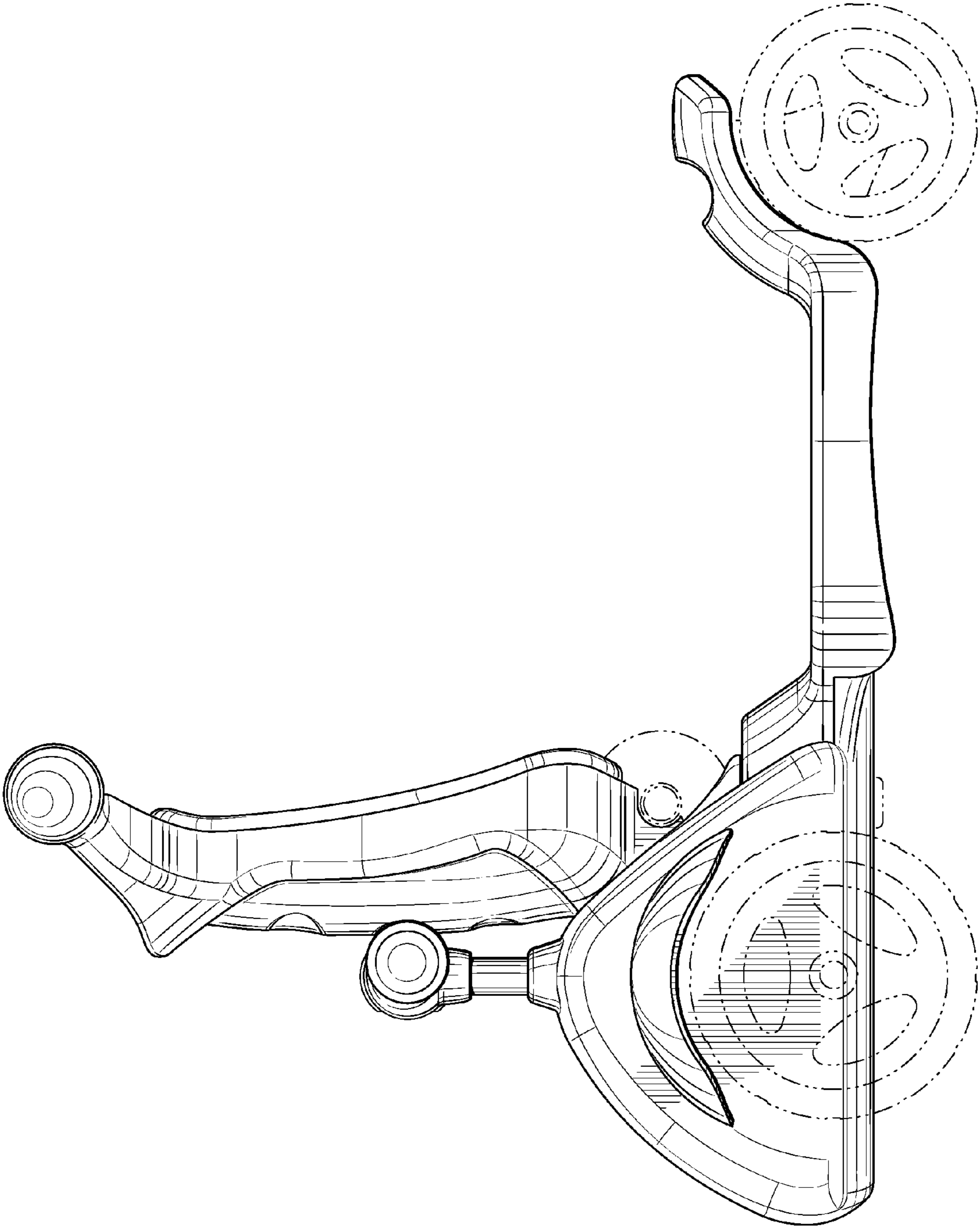


FIG. 4

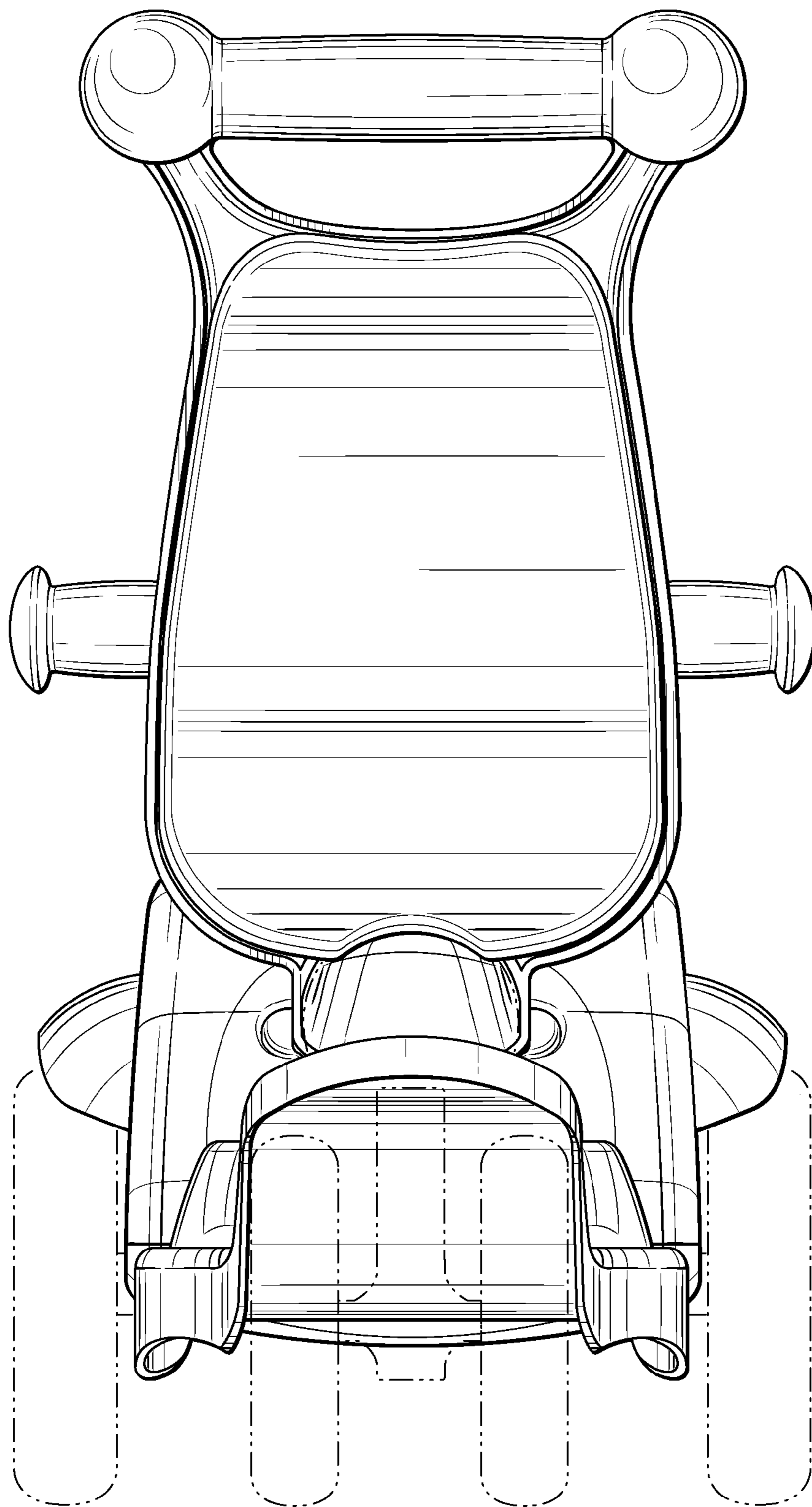


FIG. 5

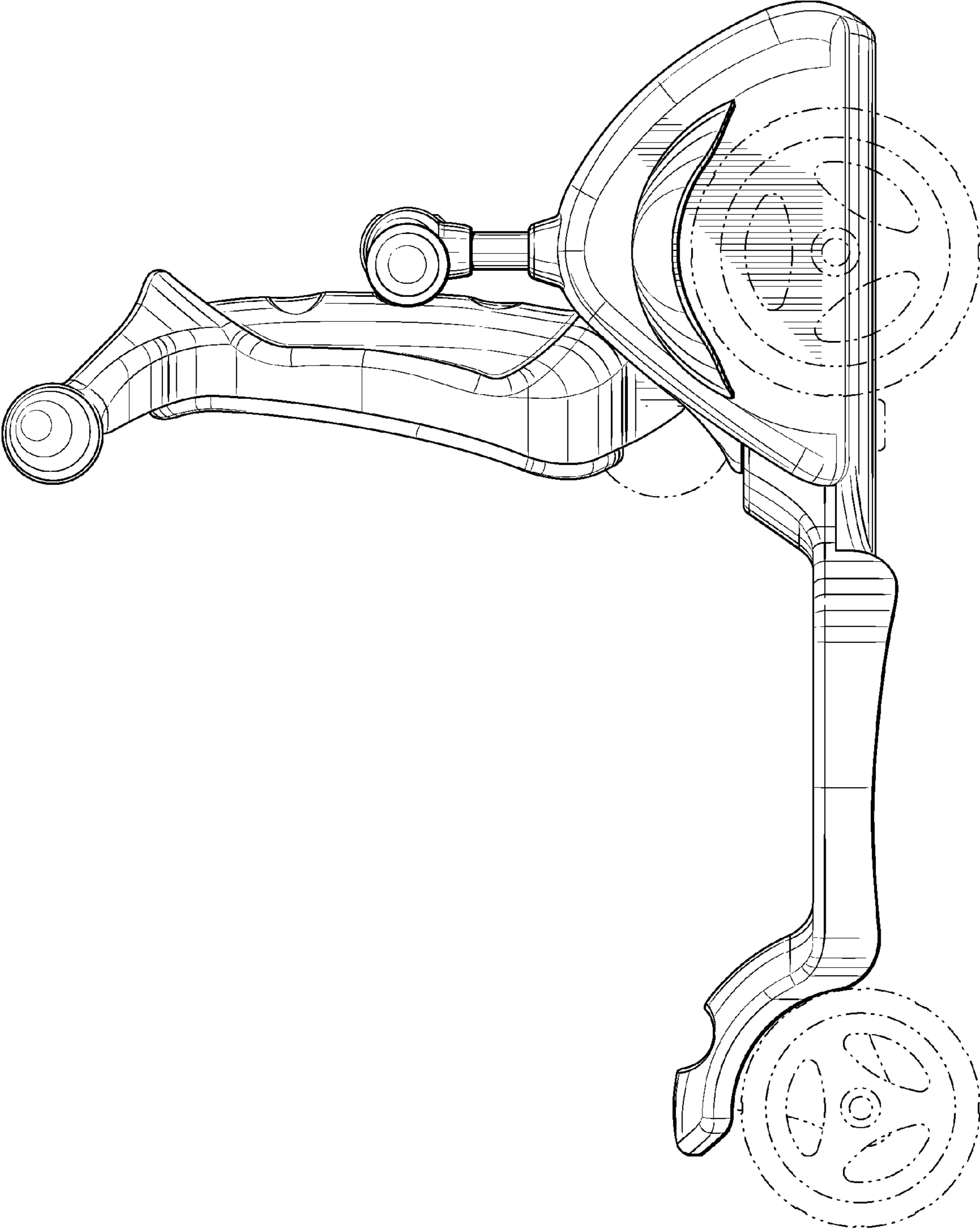


FIG. 6

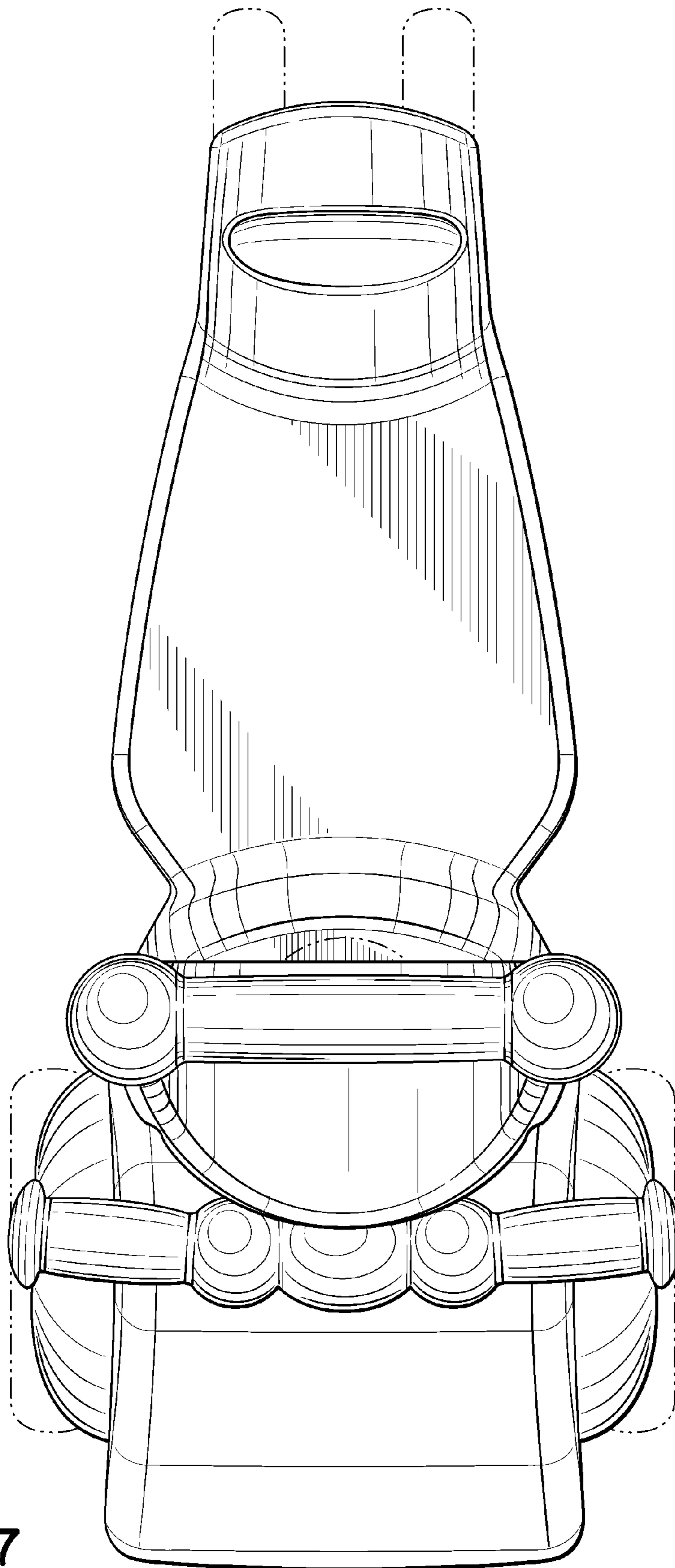


FIG. 7

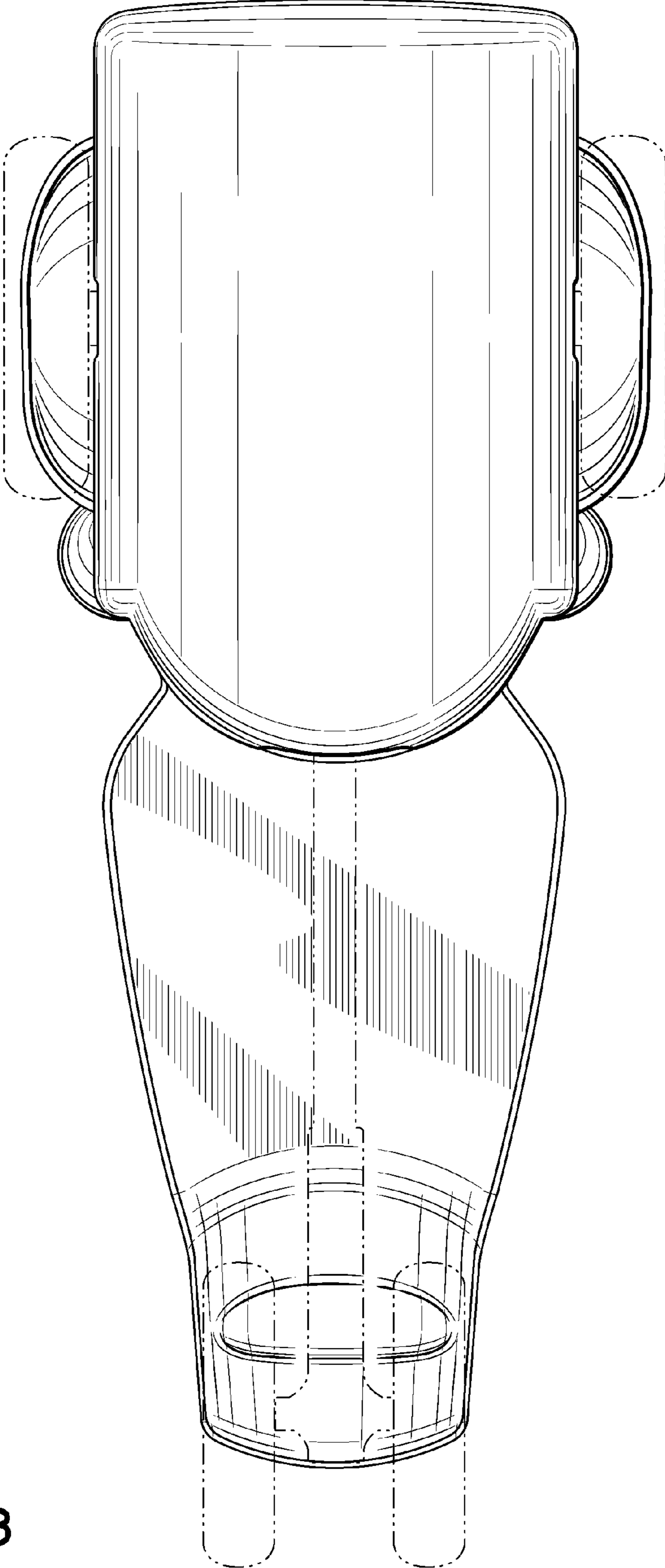


FIG. 8