



US00D631098S

(12) **United States Design Patent**
Ashida et al.

(10) **Patent No.:** **US D631,098 S**
(45) **Date of Patent:** **** Jan. 18, 2011**

(54) **CONTROLLER COVER**

(75) Inventors: **Kenichiro Ashida**, Kyoto (JP); **Junji Takamoto**, Kyoto (JP); **Noboru Wakitani**, Kyoto (JP); **Masato Ibuki**, Kyoto (JP)

(73) Assignee: **Nintendo Co., Ltd.**, Kyoto (JP)

(**) Term: **14 Years**

(21) Appl. No.: **29/345,899**

(22) Filed: **Oct. 23, 2009**

Related U.S. Application Data

(62) Division of application No. 29/293,947, filed on Dec. 19, 2007.

(30) **Foreign Application Priority Data**

Jun. 22, 2007 (JP) 2007-016642
Jun. 22, 2007 (JP) 2007-016643

(51) **LOC (9) Cl.** **21-01**

(52) **U.S. Cl.** **D21/333; D14/454**

(58) **Field of Classification Search** D14/454,
D14/432, 299, 250, 249, 251, 218, 400, 401,
D14/415; D3/218; D21/333; 206/701, 315.1,
206/320, 521, 587, 590, 592; 224/929, 930;
150/154, 165; 463/47; 273/148 B
See application file for complete search history.

(56) **References Cited**

U.S. PATENT DOCUMENTS

3,473,682 A 10/1969 Studen
3,738,529 A 6/1973 Rose
4,399,668 A 8/1983 Williamson
4,733,776 A 3/1988 Ward
4,836,256 A 6/1989 Meliconi
4,925,149 A 5/1990 DiFrancesca et al.
5,014,868 A 5/1991 Wittig et al.
5,046,739 A 9/1991 Reichow
D337,435 S * 7/1993 Kaneko et al. D3/218

D338,053 S 8/1993 Underhill et al.
5,265,720 A 11/1993 Meliconi
5,360,108 A 11/1994 Alagia
5,392,920 A 2/1995 Prete
D357,918 S 5/1995 Doria
5,648,757 A 7/1997 Vernace et al.
D397,246 S * 8/1998 Hoofnagle et al. D3/201

(Continued)

OTHER PUBLICATIONS

“NexTag Comparison Shopping: Dreamgear Wii Jeli Grip With Caps,” <http://www.nextag.com/Dreamgear-Wii-Jeli-Grip-559888455/prices-html>, Feb. 24, 2008, pp. 1-2.

(Continued)

Primary Examiner—Angela J Lee

(74) *Attorney, Agent, or Firm*—Nixon & Vanderhye, P.C.

(57)

CLAIM

The ornamental design for a controller cover, as shown and described.

DESCRIPTION

FIG. 1 is a front, top and left perspective view of a controller cover showing our new design;

FIG. 2 is a rear, bottom and right perspective view thereof;

FIG. 3 is a front view thereof;

FIG. 4 is a rear view thereof;

FIG. 5 is a top plan view thereof;

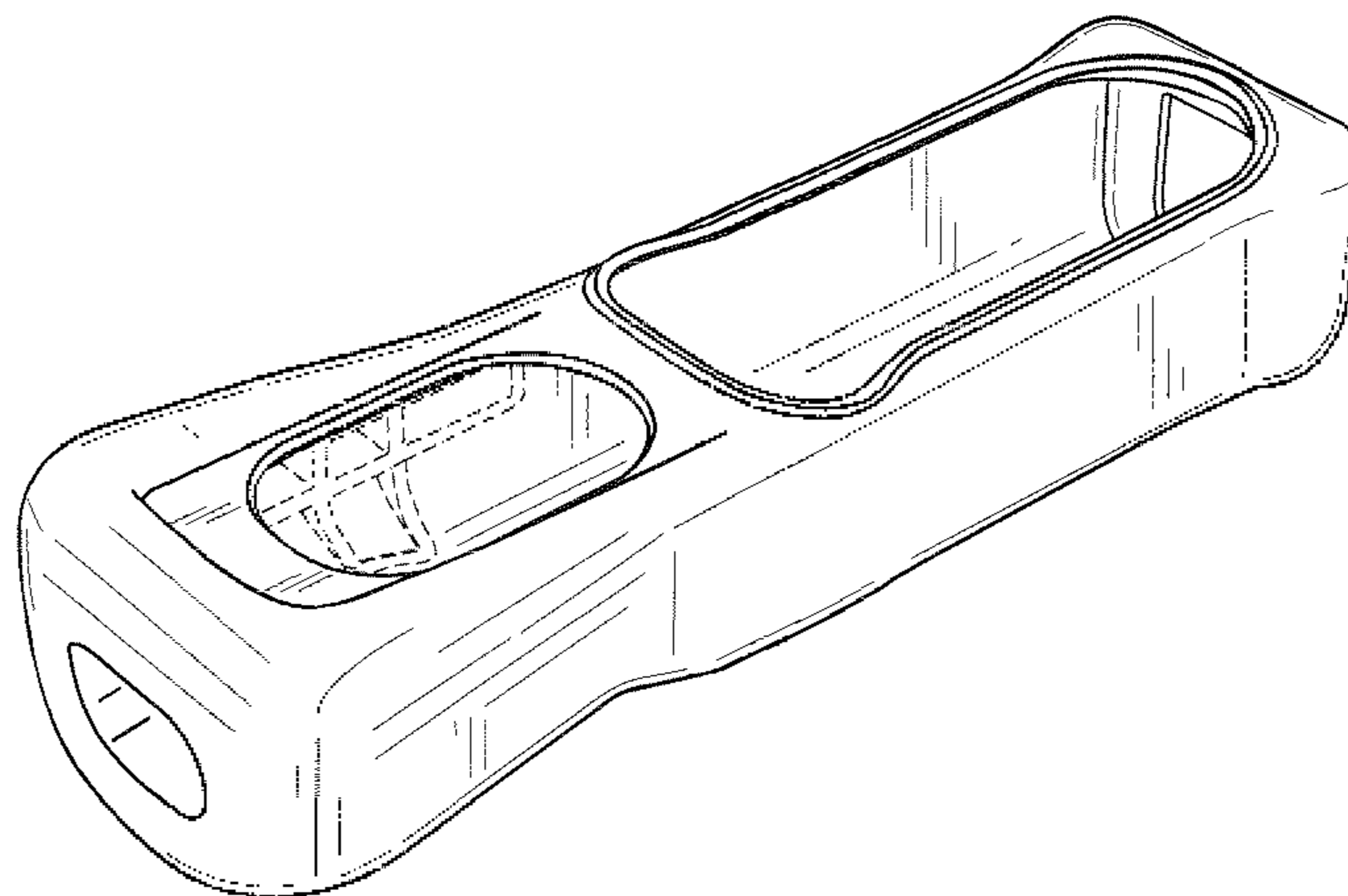
FIG. 6 is a bottom plan view thereof;

FIG. 7 is a right side view thereof, a left side view being a mirror image thereof; and,

FIG. 8 is a reference view showing a state where the controller cover is attached onto a controller.

The subject matter shown in dotted-line format in FIG. 8 forms no part of the claimed invention.

1 Claim, 3 Drawing Sheets



U.S. PATENT DOCUMENTS

5,931,434	A	8/1999	Rodriquez	
D448,761	S *	10/2001	Powell	D14/250
D459,346	S *	6/2002	Powell	D14/250
D460,445	S *	7/2002	Nguyen et al.	D14/250
6,616,111	B1	9/2003	White	
D485,834	S *	1/2004	Davetas	D14/250
6,839,034	B2	1/2005	Shimura	
7,050,841	B1	5/2006	Onda	
D526,780	S *	8/2006	Richardson et al.	D3/273
D540,539	S *	4/2007	Gutierrez	D3/269
D542,524	S *	5/2007	Richardson et al.	D3/218
D551,856	S *	10/2007	Ko et al.	D3/218
D559,254	S *	1/2008	Ashida et al.	D14/400
D568,882	S *	5/2008	Ashida et al.	D14/400
2005/0098456	A1 *	5/2005	Hodges	206/320
2005/0116334	A1	6/2005	Buehler	

OTHER PUBLICATIONS

“Overstock.com: Your Online Outlet: Silicone Skin for Wii Remote and Nunchuk Controller,” <http://www.overstock.com/Books-Mov->

[ies-Music-Games/Silicone-Skin-for-Wii-Remote-an...](http://www.overstock.com/Books-Mov-ies-Music-Games/Silicone-Skin-for-Wii-Remote-an...), Feb. 24, 2008, pp. 1-4.

“Meritline.com: Light Blue Silicone Skin for Nintendo Wii Remote Controller,” <http://www.meritline.com/blue-silicone-skin-for-wii-remote-controller.html>, Feb. 24, 2008, p. 1.

“ModernMethod Network: Soften the blow with NERF Wii Remote Sleeves,” <http://www.destructoid.com/soften-the-blow-with-nerf-wii-remote-sleeves-36971.phtml>, Feb. 24, 2008, pp. 1-2.

Greenwald, W., “Get a free Wiimote sleeve from Nintendo,” http://crave.cnet.com/8301-1_105-9789421-1.html, Feb. 24, 2008, pp. 1-3.

“Statement of Defence and Counterclaim of Shuang (Sean) SA, SA Group Ltd., and ZCover Inc.,” Ontario Superior Court of Justice, 3Iskin Inc. and Shuang (Sean) SA, SA Group Ltd., ZCover Inc., and Dave McFarland, Court File No. 05-CV-289300PD1.

McLean, J.G. “Conformal Cover for a Handheld Computer Unit,” *IBM Technical Disclosure Bulletin*, vol. 37, No. 06B, Jun. 1994, pp. 125-126.

* cited by examiner

Fig. 1

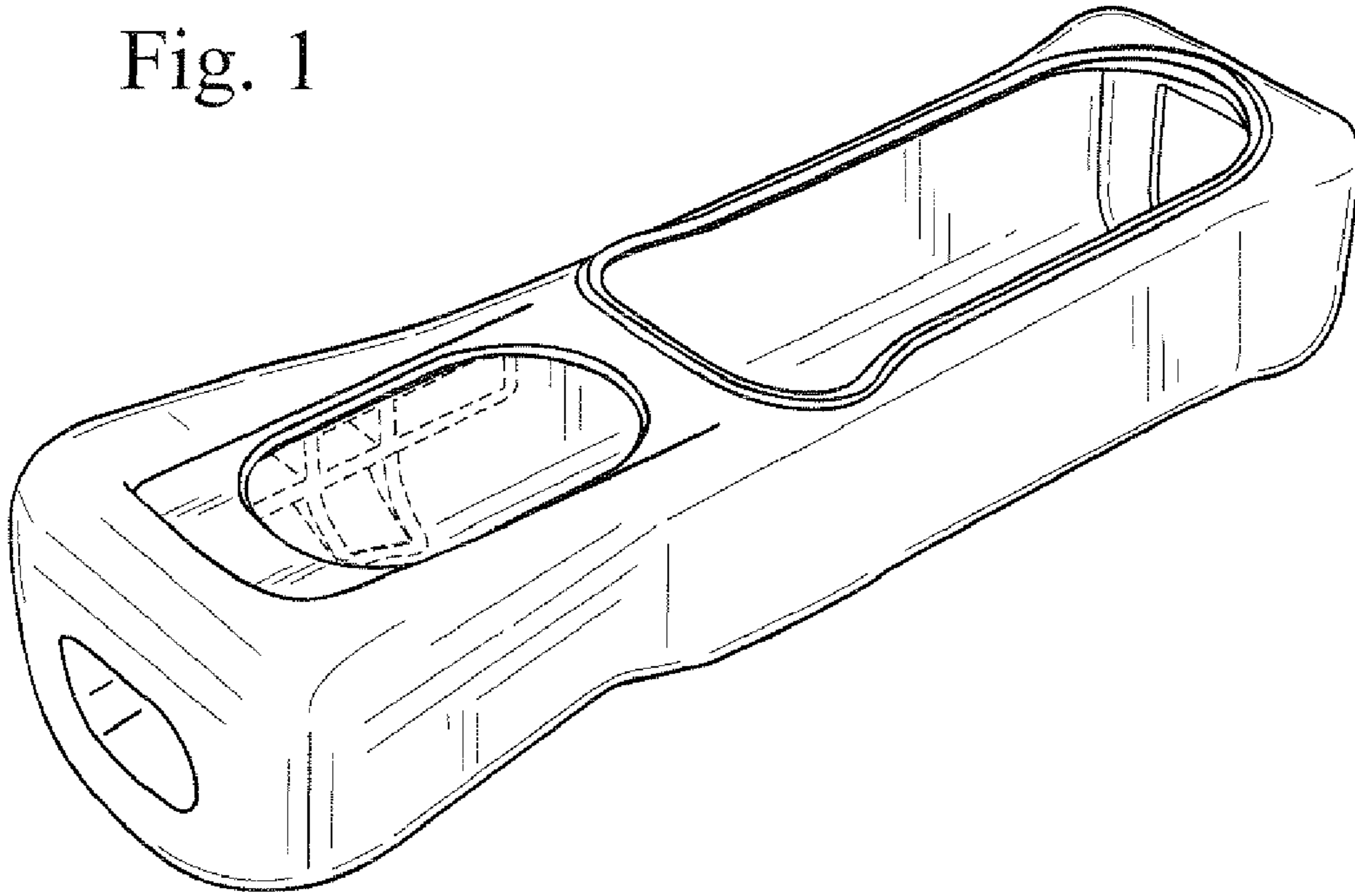


Fig. 2

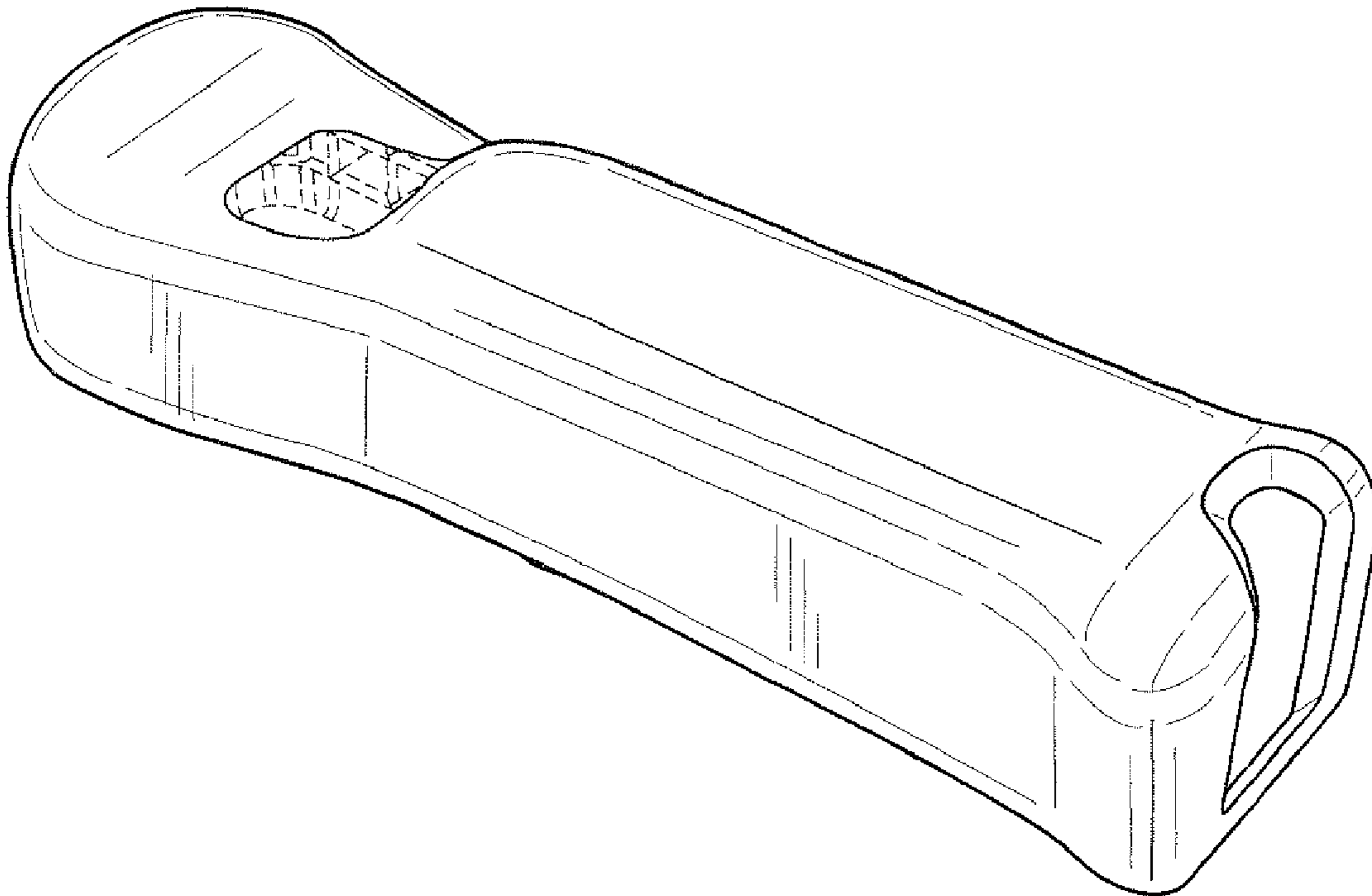


Fig. 3

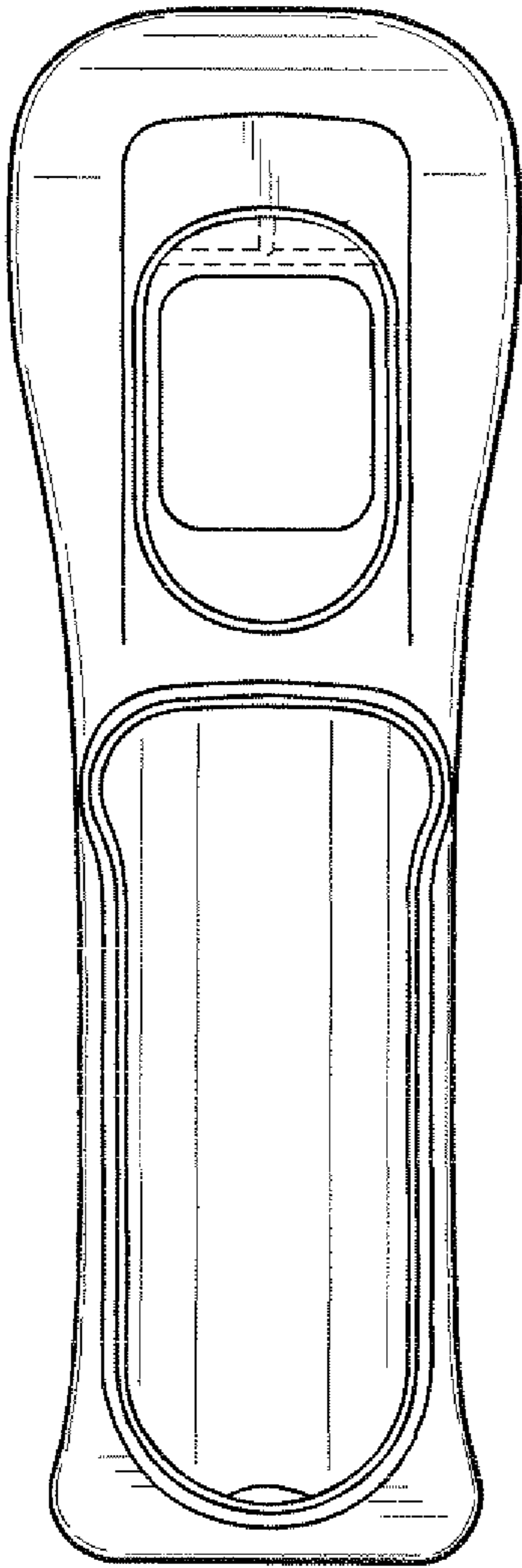


Fig. 4

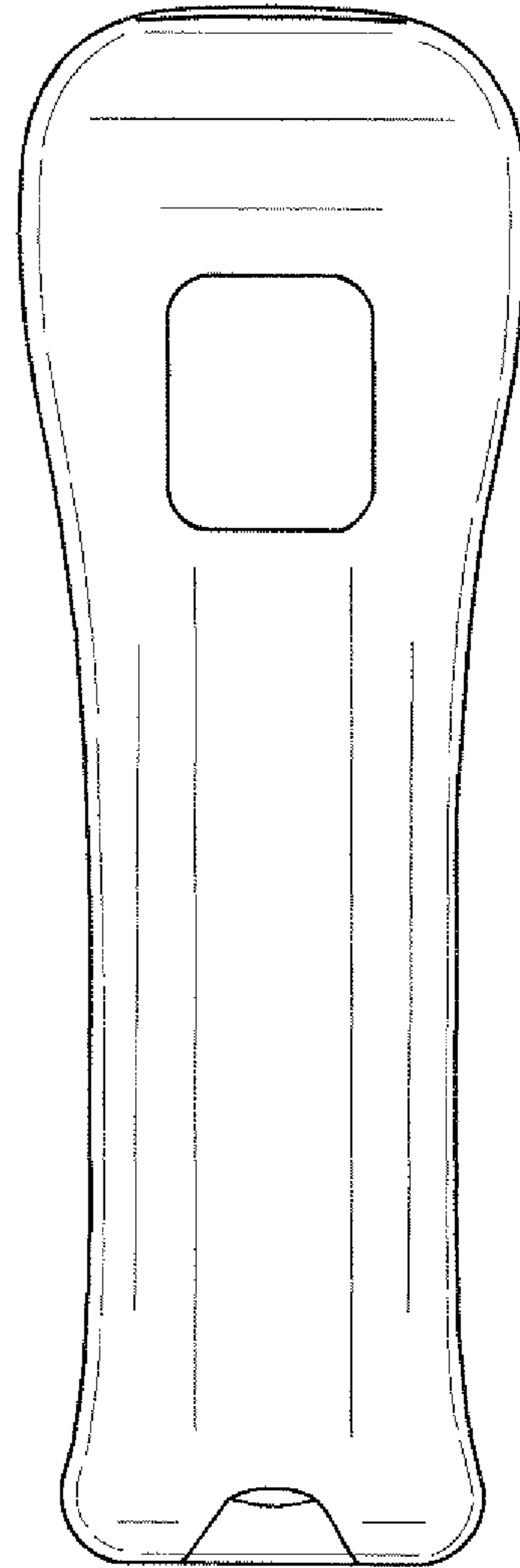


Fig. 5

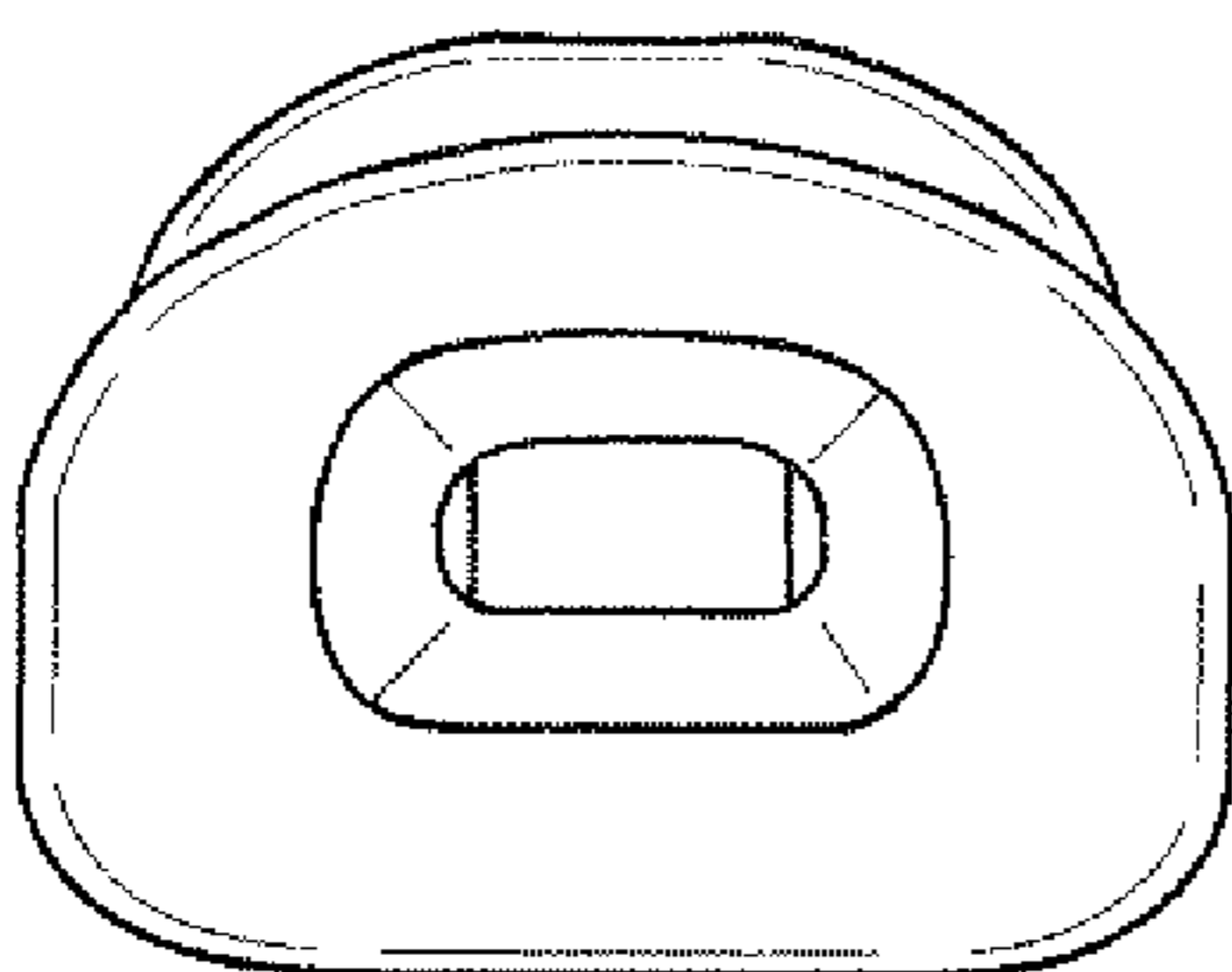


Fig. 6

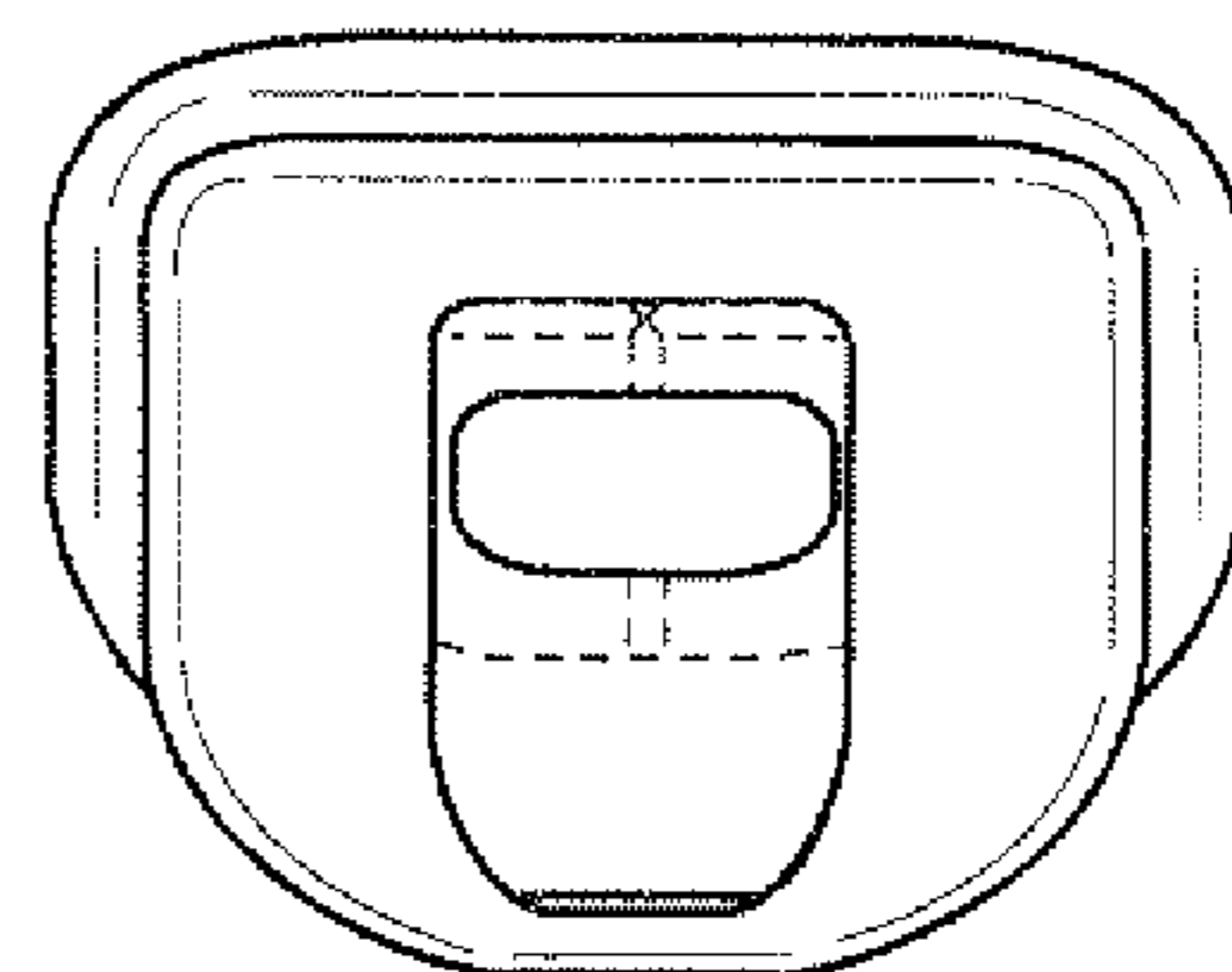


Fig. 7

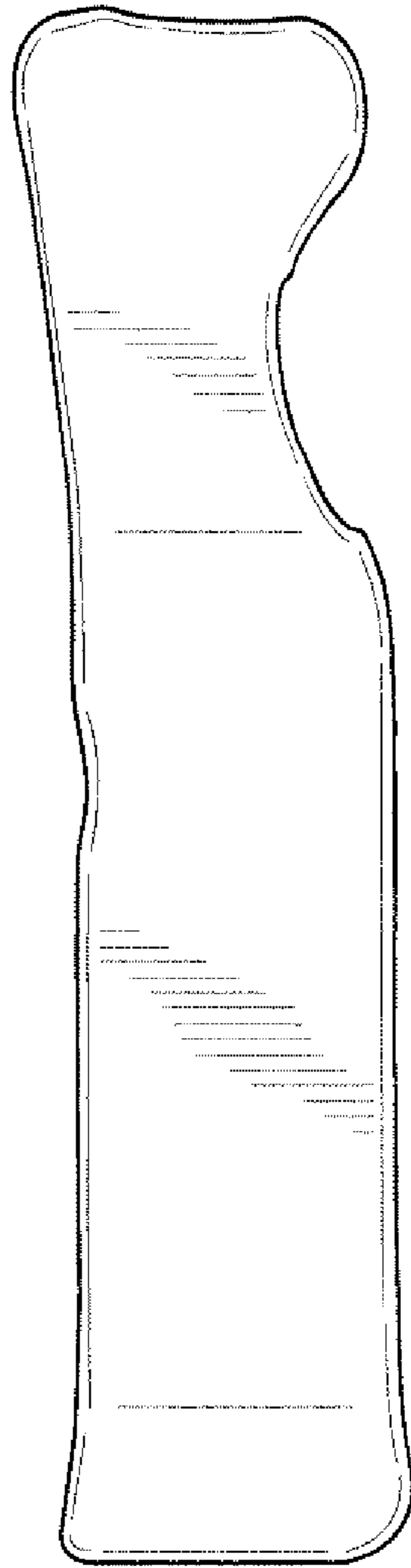


Fig. 8

