

US00D631094S

(12) **United States Design Patent**
Sato et al.

(10) **Patent No.:** **US D631,094 S**
(45) **Date of Patent:** **** Jan. 18, 2011**

(54) **TONER CARTRIDGE**

(75) Inventors: **Fumikazu Sato**, Konan (JP); **Naoya Kamimura**, Ichinomiya (JP); **Nao Itabashi**, Nagoya (JP); **Hideshi Nishiyama**, Nagoya (JP)

(73) Assignee: **Brother Industries, Ltd.**, Nagoya (JP)

(**) Term: **14 Years**

(21) Appl. No.: **29/334,230**

(22) Filed: **Mar. 23, 2009**

(30) **Foreign Application Priority Data**
Sep. 30, 2008 (JP) 2008-025142

(51) **LOC (9) Cl.** **16-03**

(52) **U.S. Cl.** **D18/43**

(58) **Field of Classification Search** D14/471;
D18/12, 36, 40, 43, 44, 56; 222/DIG. 1;
347/197, 222; 399/24-28, 107-112, 119,
399/121, 122, 222-224
See application file for complete search history.

(56) **References Cited**

U.S. PATENT DOCUMENTS

D93,154 S *	8/1934	Bills	D18/12
D303,543 S *	9/1989	Seki	D18/36
D305,244 S *	12/1989	Goodner et al.	D18/18
D313,615 S *	1/1991	Tokuda	D18/36
D361,590 S	8/1995	Ishida		
D362,014 S *	9/1995	Ishibashi et al.	D18/43
D381,677 S	7/1997	Makino		
D422,304 S	4/2000	Suzuki et al.		
D442,216 S	5/2001	Kimura et al.		
D471,228 S	3/2003	Okabe et al.		
D471,583 S	3/2003	Okabe et al.		
D487,108 S	2/2004	Morita et al.		
D506,776 S	6/2005	Kobayashi et al.		
D507,295 S	7/2005	Ishii et al.		
D507,296 S	7/2005	Ishii et al.		
D507,595 S	7/2005	Kobayashi et al.		
D507,596 S	7/2005	Kobayashi et al.		

D507,597 S	7/2005	Kobayashi et al.
D507,809 S	7/2005	Kobayashi et al.
D508,945 S	8/2005	Ishii et al.
D509,239 S	9/2005	Ishii et al.
D510,947 S	10/2005	Ishii et al.
D511,542 S	11/2005	Ishii et al.
D512,092 S	11/2005	Kobayashi et al.
D512,454 S	12/2005	Ishii et al.
D521,545 S	5/2006	Ishii et al.
D522,564 S	6/2006	Ishii et al.

(Continued)

OTHER PUBLICATIONS

Kamimura et al.; U.S. Appl. No. 29/276,997, filed Feb. 9, 2007.

(Continued)

Primary Examiner—Garth Rademaker
(74) *Attorney, Agent, or Firm*—Olliff & Berridge, PLC

(57) **CLAIM**

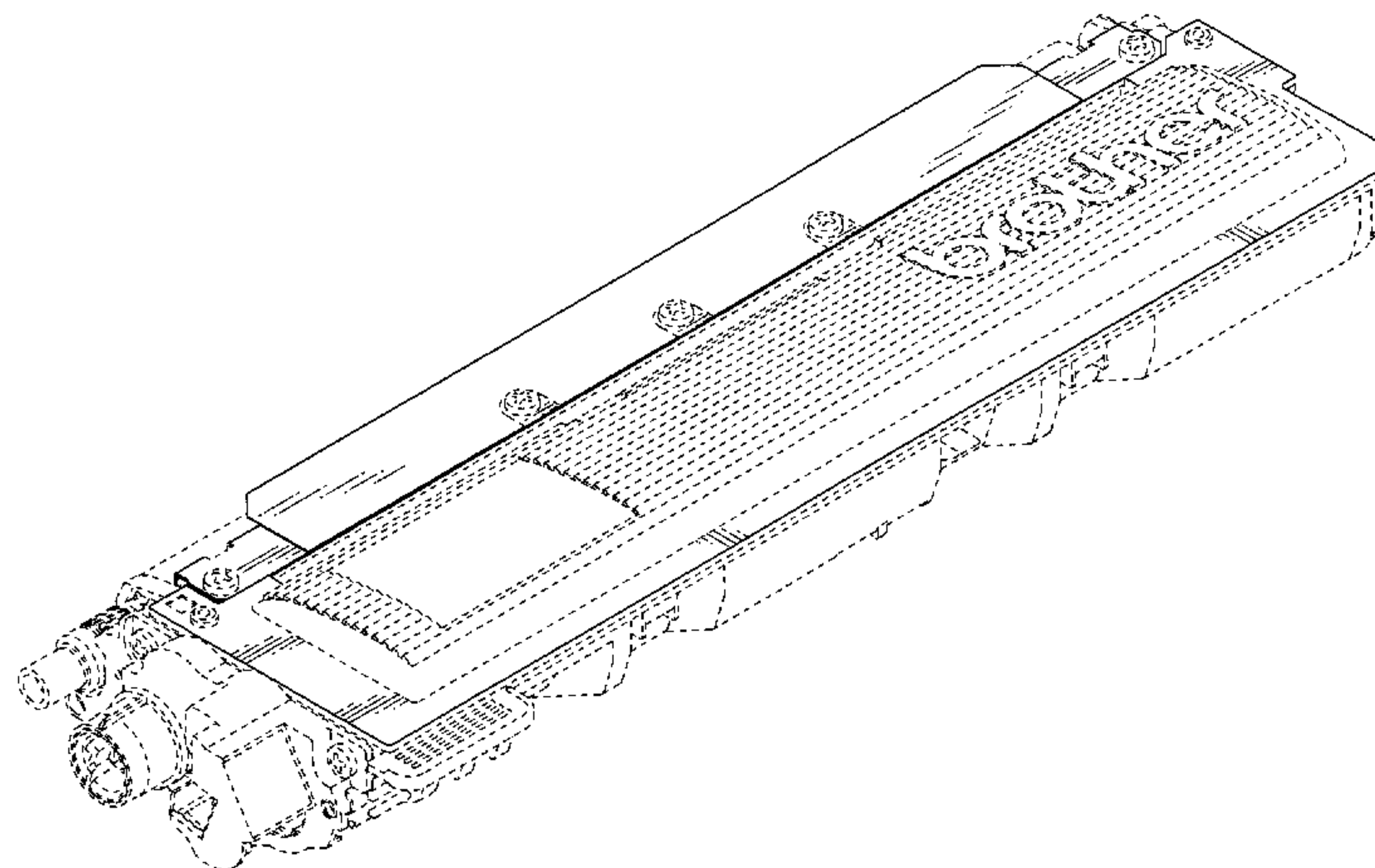
The ornamental design for a toner cartridge, as shown and described.

DESCRIPTION

FIG. 1 is a perspective view of a toner cartridge;
 FIG. 2 is a front view thereof;
 FIG. 3 is a top view thereof;
 FIG. 4 is a right-side view thereof;
 FIG. 5 is a left-side view thereof;
 FIG. 6 is a rear view thereof;
 FIG. 7 is another perspective view thereof;
 FIG. 8 is a cross-sectional view thereof taken along the line 8—8 of FIG. 2; and,
 FIG. 9 is a cross-sectional view thereof taken between the lines 9'—9' and 9"—9" of FIG. 8.

The broken lines depict environmental subject matter only and form no part of the claimed design.

1 Claim, 7 Drawing Sheets



US D631,094 S

Page 2

U.S. PATENT DOCUMENTS

D523,894 S 6/2006 Ishii et al.
D523,895 S 6/2006 Ishii et al.
D523,896 S 6/2006 Ishii et al.
D528,148 S 9/2006 Ishii et al.
D531,660 S 11/2006 Ishii et al.
D531,661 S 11/2006 Ishii et al.
D533,215 S 12/2006 Ishii et al.
D533,583 S 12/2006 Kobayashi et al.
D538,332 S 3/2007 Hoshiya et al.
D550,763 S 9/2007 Ishikawa et al.
D550,764 S 9/2007 Ishikawa et al.
D550,765 S 9/2007 Ishikawa et al.
D550,766 S 9/2007 Takagi
D550,767 S 9/2007 Kishi
D551,285 S 9/2007 Ishikawa et al.
D566,169 S 4/2008 Ishikawa et al.
D579,484 S 10/2008 Kamimura et al.
D579,970 S 11/2008 Kamimura et al.
D595,343 S * 6/2009 Ishikawa et al. D18/43

D595,344 S * 6/2009 Ishikawa D18/43

OTHER PUBLICATIONS

Kamimura et al.; U.S. Appl. No. 29/276,998, filed Feb. 9, 2007.
Ogasawara et al.; U.S. Appl. No. 29/303,524, filed Feb. 11, 2008.
Ogasawara et al.; U.S. Appl. No. 29/303,525, filed Feb. 11, 2008.
Kamimura et al.; U.S. Appl. No. 29/276,993, filed Feb. 9, 2007.
Kamimura et al.; U.S. Appl. No. 29/276,991, filed Feb. 9, 2007.
Kamimura et al.; U.S. Appl. No. 29/276,994, filed Feb. 9, 2007.
Ishikawa et al.; U.S. Appl. No. 29/303,513, filed Feb. 11, 2008.
Ishikawa; U.S. Appl. No. 29/303,515, filed Feb. 11, 2008.
Ishikawa et al.; U.S. Appl. No. 29/303,523, filed Feb. 11, 2008.
Ogasawara et al.; U.S. Appl. No. 29/303,528, filed Feb. 11, 2008.
Kamimura et al.; U.S. Appl. No. 29/276,996, filed Feb. 9, 2007.
Ishii et al.; U.S. Appl. No. 29/222,088, filed Jan. 27, 2005.
Kobayashi et al.; U.S. Appl. No. 29/197,021, filed Jan. 8, 2004.
Kobayashi et al.; U.S. Appl. No. 29/197,016, filed Jan. 8, 2004.
Ishikawa et al.; U.S. Appl. No. 29/245,317, filed Dec. 22, 2005.

* cited by examiner

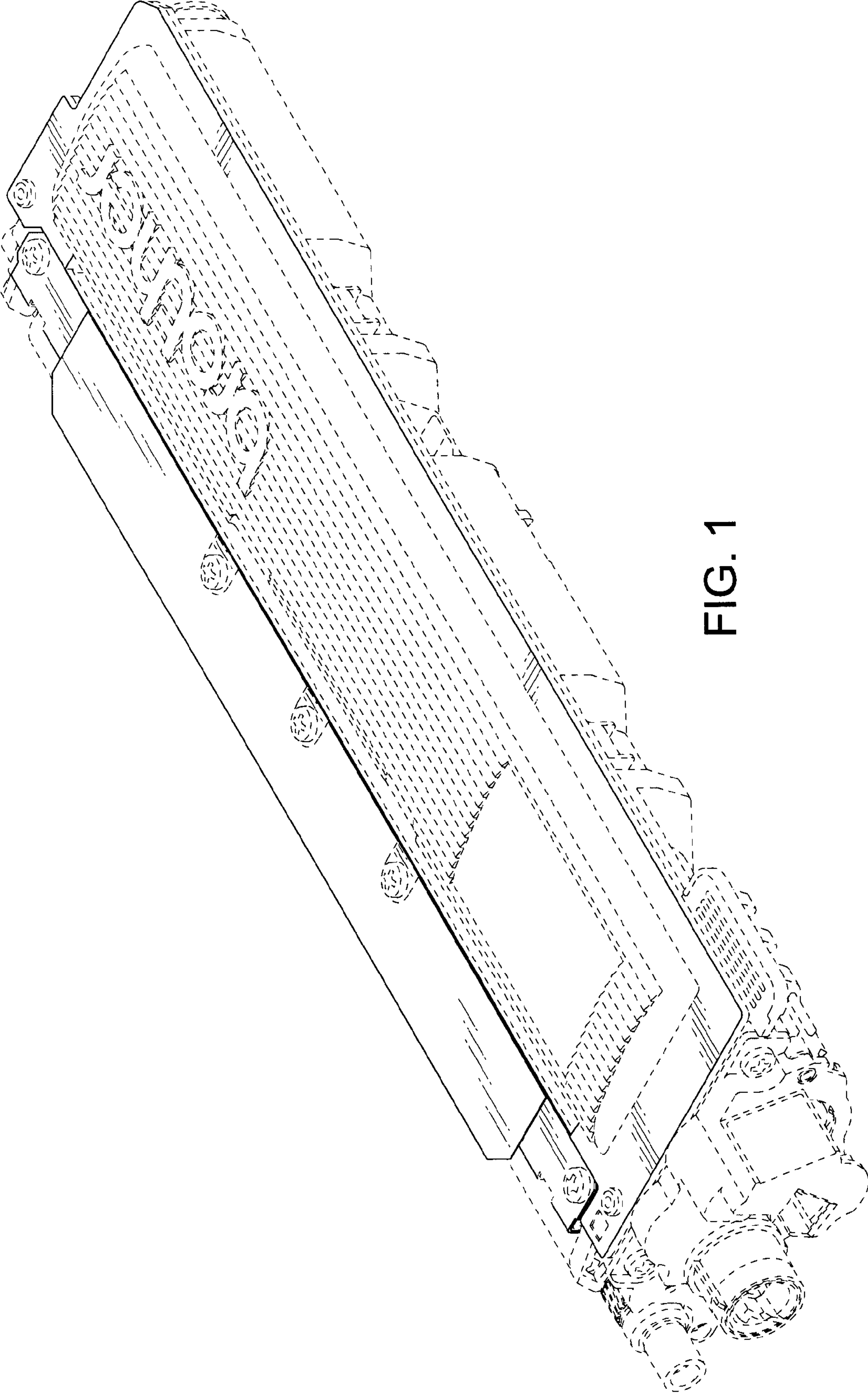


FIG. 1

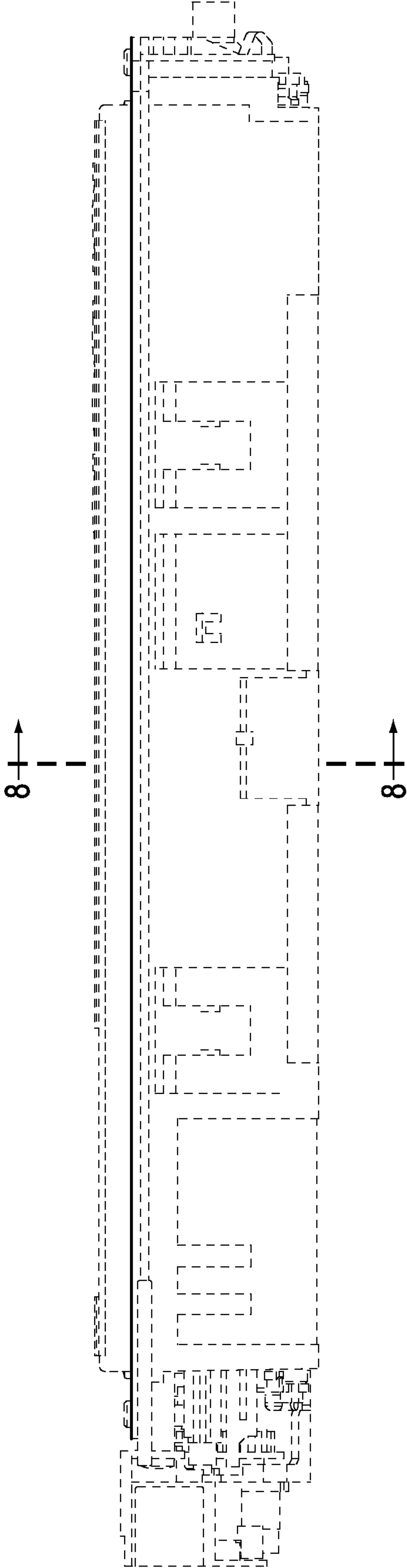


FIG. 2

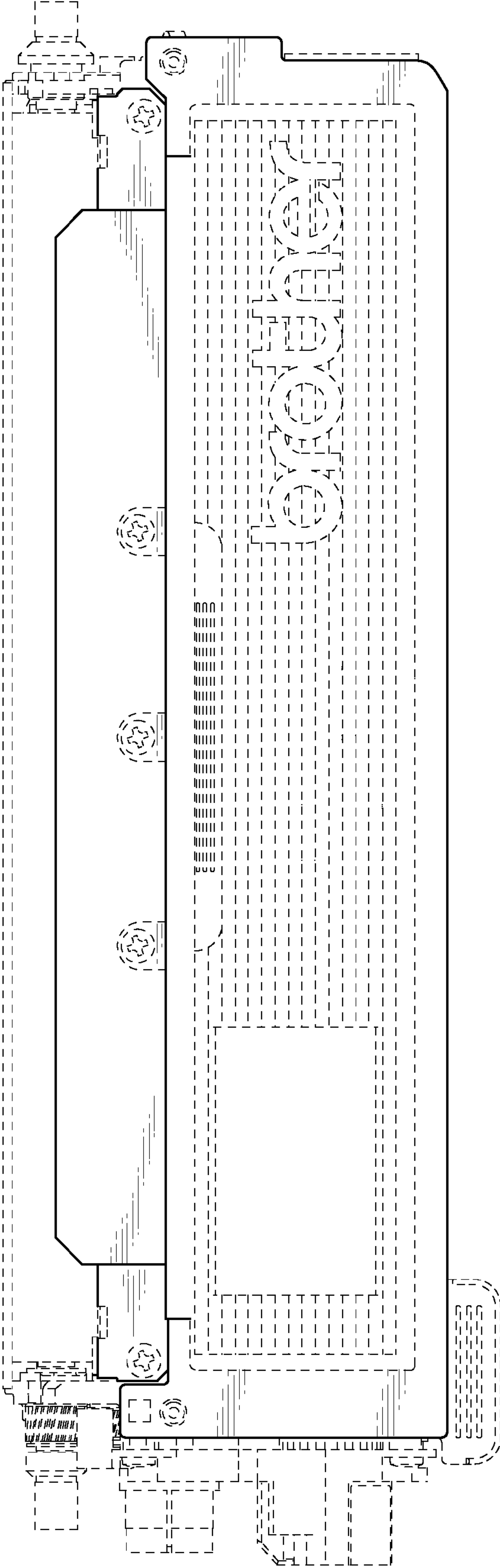


FIG. 3

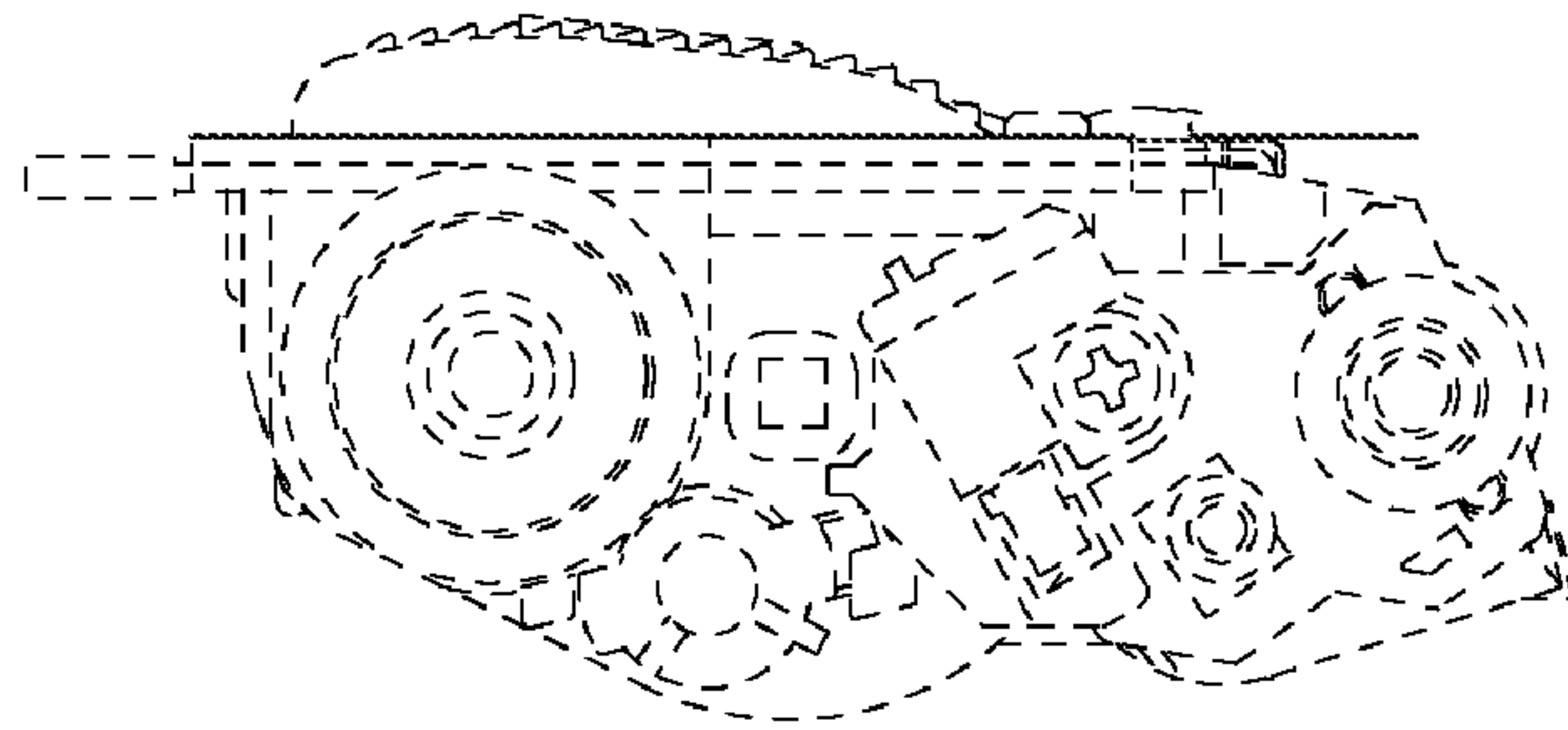


FIG. 4

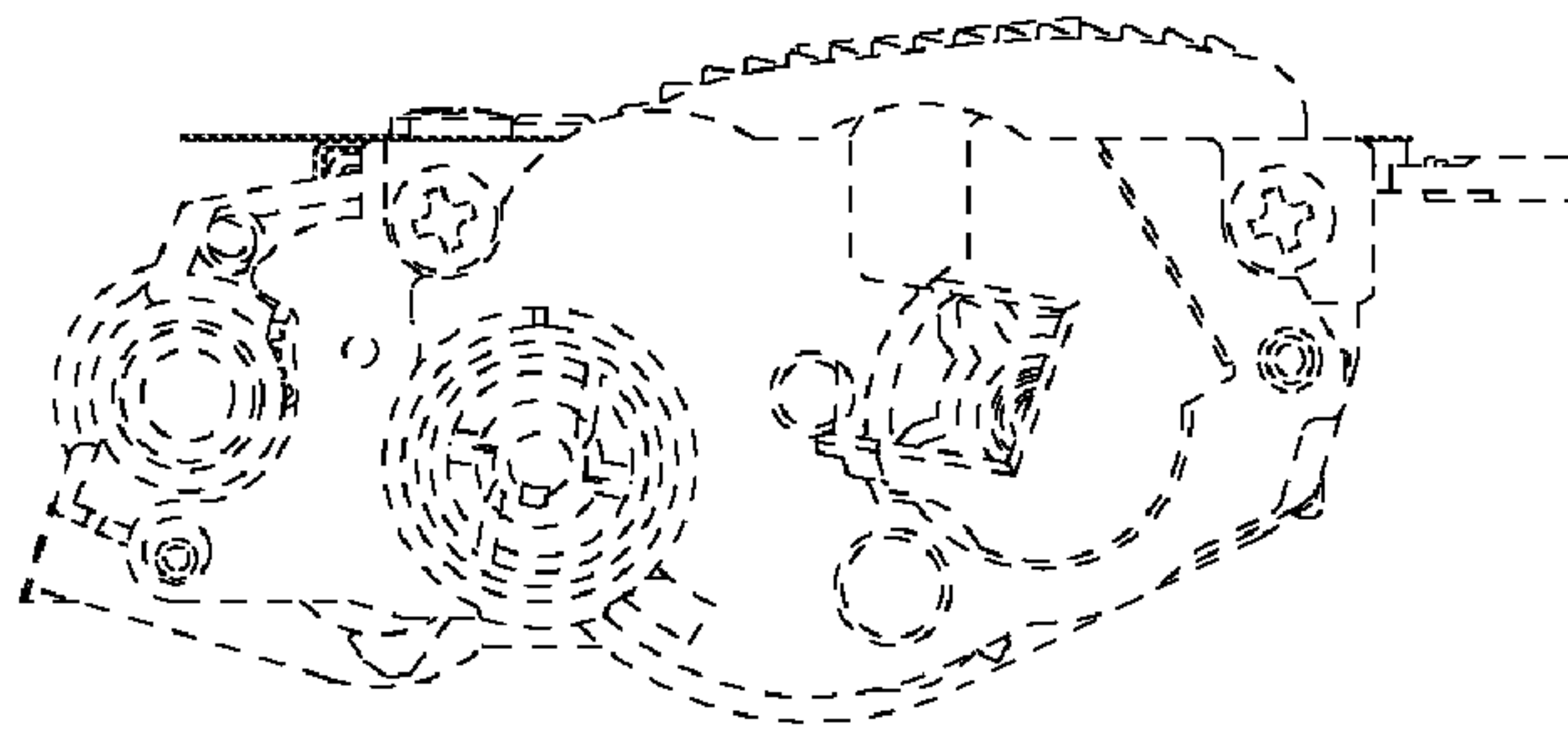


FIG. 5

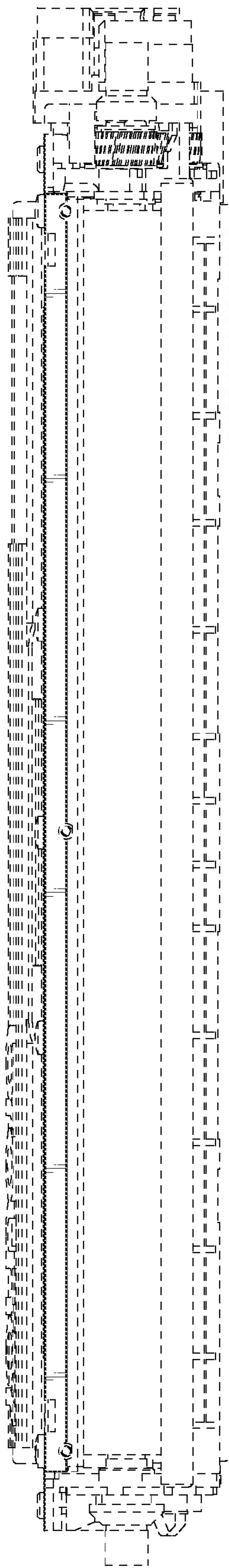


FIG. 6

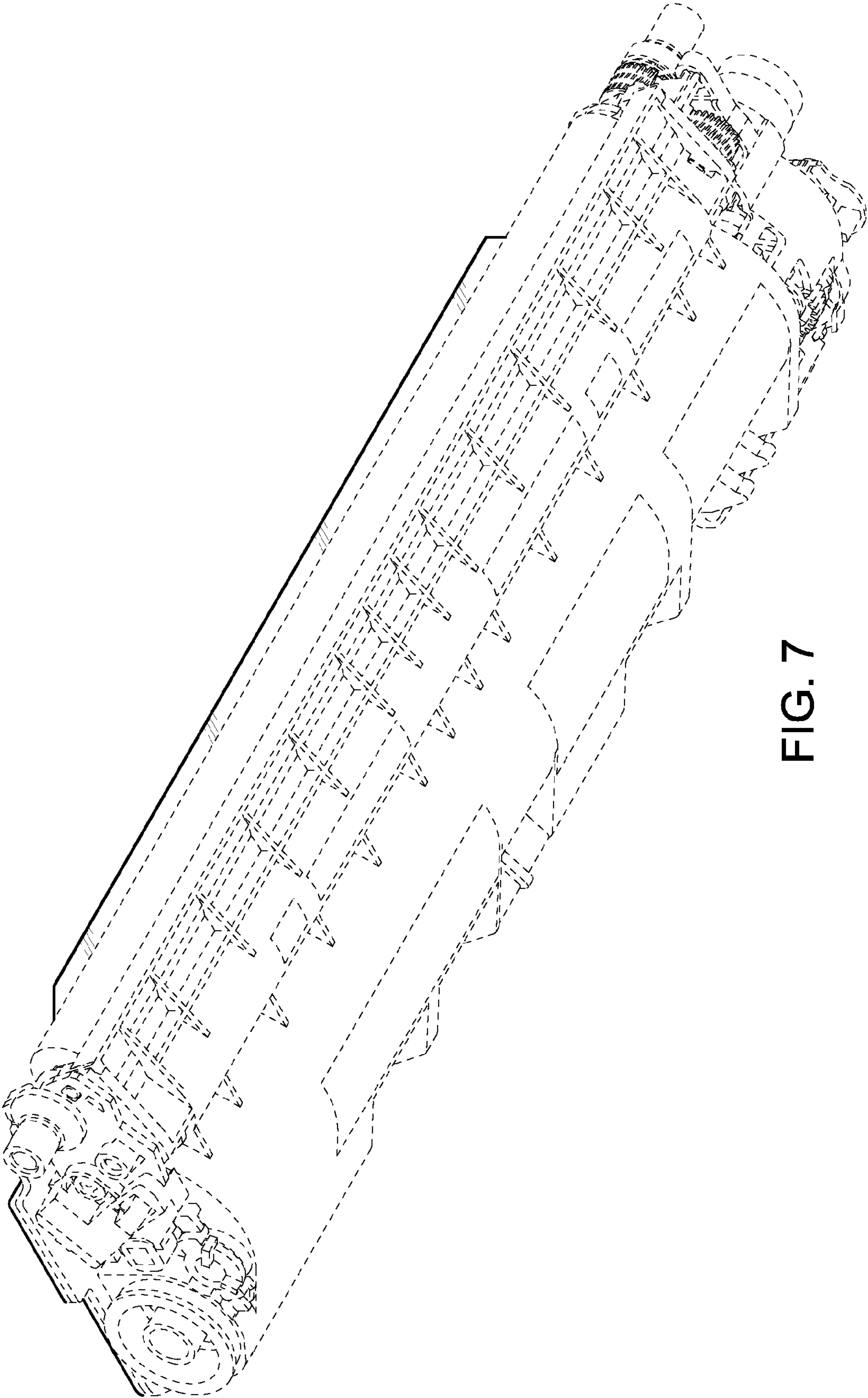


FIG. 7

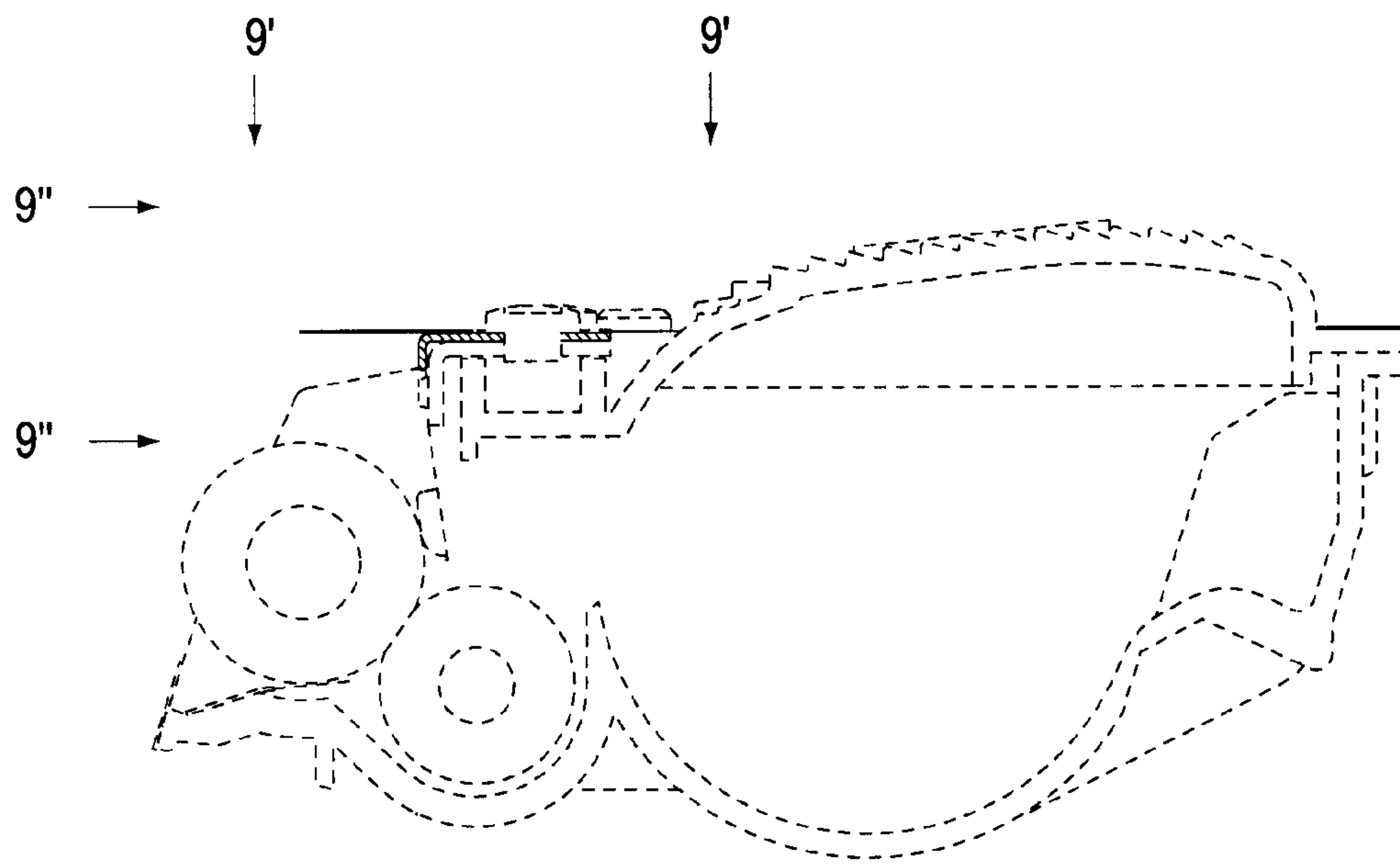


FIG. 8

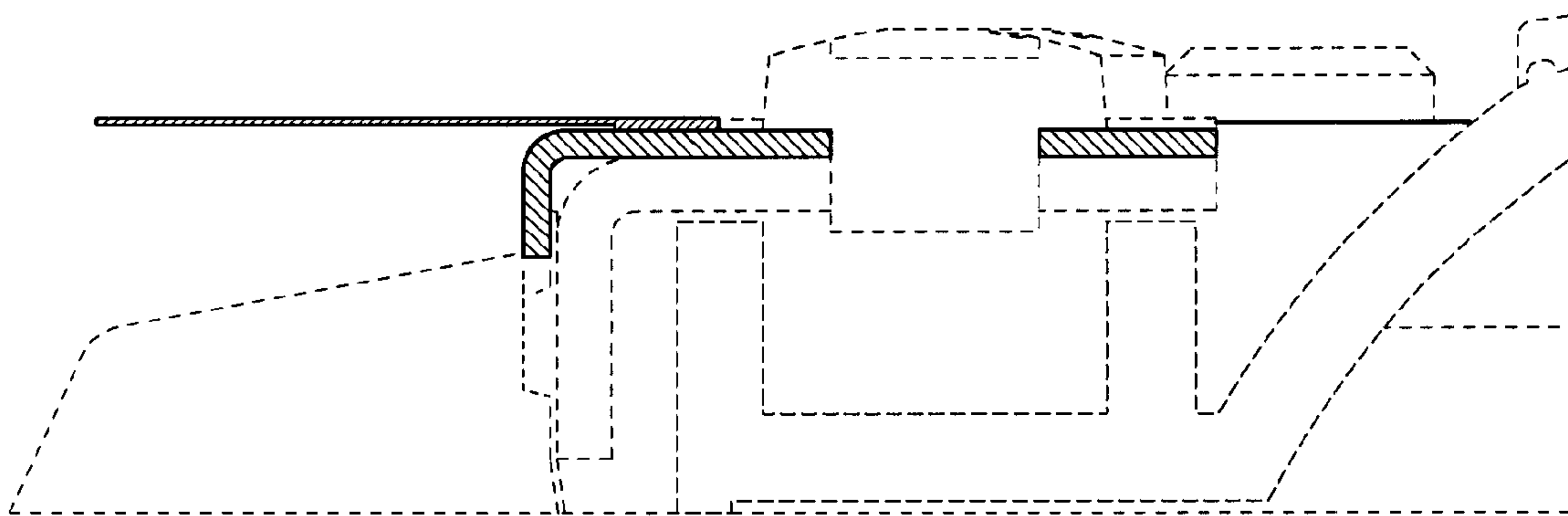


FIG. 9