



US00D631093S

(12) **United States Design Patent**
Sato et al.

(10) **Patent No.:** **US D631,093 S**
(45) **Date of Patent:** **** Jan. 18, 2011**

(54) **COVER FOR TONER CARTRIDGE**

(75) Inventors: **Fumikazu Sato**, Konan (JP); **Naoya Kamimura**, Ichinomiya (JP); **Nao Itabashi**, Nagoya (JP); **Hideshi Nishiyama**, Nagoya (JP)

(73) Assignee: **Brother Industries, Ltd.**, Nagoya (JP)

(**) Term: **14 Years**

(21) Appl. No.: **29/334,218**

(22) Filed: **Mar. 23, 2009**

(30) **Foreign Application Priority Data**

Sep. 30, 2008 (JP) 2008-025143

(51) **LOC (9) Cl.** **16-03**

(52) **U.S. Cl.** **D18/43**

(58) **Field of Classification Search** D14/471;
D18/12, 36, 40, 43, 44, 56; 222/DIG. 1;
347/197, 222; 399/24-28, 107-112, 119,
399/121, 122, 222-224

See application file for complete search history.

(56) **References Cited**

U.S. PATENT DOCUMENTS

D91,698 S * 3/1934 Benner D18/12
D93,154 S * 8/1934 Bills D18/12
D165,512 S * 12/1951 Clement D18/12
D245,987 S * 10/1977 Olson D18/44
D305,244 S * 12/1989 Goodner et al. D18/18
D361,590 S 8/1995 Ishida
D381,677 S 7/1997 Makino
D422,304 S 4/2000 Suzuki et al.
D442,216 S 5/2001 Kimura et al.
D471,228 S 3/2003 Okabe et al.
D471,583 S 3/2003 Okabe et al.
D487,108 S 2/2004 Morita et al.
D494,997 S * 8/2004 Weiler et al. D18/40
D506,776 S 6/2005 Kobayashi et al.
D507,295 S 7/2005 Ishii et al.
D507,296 S 7/2005 Ishii et al.
D507,595 S 7/2005 Kobayashi et al.

D507,596 S 7/2005 Kobayashi et al.
D507,597 S 7/2005 Kobayashi et al.
D507,809 S 7/2005 Kobayashi et al.
D508,945 S 8/2005 Ishii et al.
D509,239 S 9/2005 Ishii et al.
D510,947 S 10/2005 Ishii et al.
D511,542 S 11/2005 Ishii et al.
D512,092 S 11/2005 Kobayashi et al.
D512,454 S 12/2005 Ishii et al.
D521,545 S 5/2006 Ishii et al.
D522,564 S 6/2006 Ishii et al.
D523,894 S 6/2006 Ishii et al.

(Continued)

OTHER PUBLICATIONS

Kamimura et al.; U.S. Appl. No. 29/276,997, filed Feb. 9, 2007.

(Continued)

Primary Examiner—Garth Rademaker
(74) *Attorney, Agent, or Firm*—Oliff & Berridge, PLC

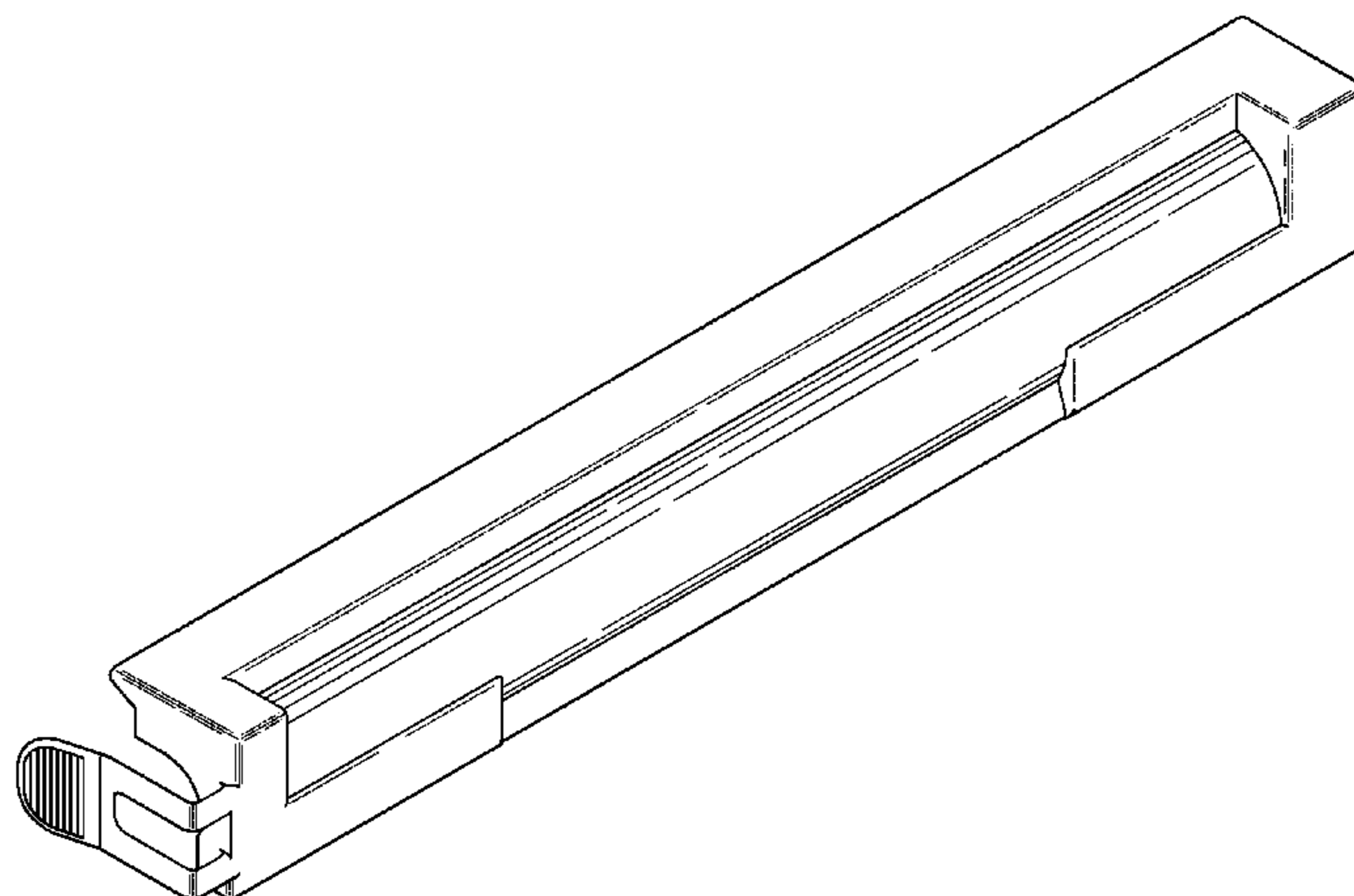
(57) **CLAIM**

The ornamental design for a cover for toner cartridge, as shown and described.

DESCRIPTION

FIG. 1 is a perspective view of a cover for toner cartridge;
FIG. 2 is a front view thereof;
FIG. 3 is a top view thereof;
FIG. 4 is a right-side view thereof;
FIG. 5 is a left-side view thereof;
FIG. 6 is a rear view thereof;
FIG. 7 is a bottom view thereof;
FIG. 8 is another perspective view thereof;
FIG. 9 is a cross-sectional view thereof taken along the line 9—9 of FIG. 2; and,
FIG. 10 is a cross-sectional view thereof taken along the line 10—10 of FIG. 2.

1 Claim, 5 Drawing Sheets



US D631,093 S

Page 2

U.S. PATENT DOCUMENTS

D523,895 S 6/2006 Ishii et al.
D523,896 S 6/2006 Ishii et al.
D524,847 S * 7/2006 McIntosh et al. D18/40
D528,148 S 9/2006 Ishii et al.
D531,660 S 11/2006 Ishii et al.
D531,661 S 11/2006 Ishii et al.
D533,215 S 12/2006 Ishii et al.
D533,583 S 12/2006 Kobayashi et al.
D538,332 S 3/2007 Hoshiya et al.
D550,763 S 9/2007 Ishikawa et al.
D550,764 S 9/2007 Ishikawa et al.
D550,765 S 9/2007 Ishikawa et al.
D550,766 S 9/2007 Takagi
D550,767 S 9/2007 Kishi
D551,285 S 9/2007 Ishikawa et al.
D552,164 S * 10/2007 Kouroku et al. D18/43
D566,169 S 4/2008 Ishikawa et al.
D579,484 S 10/2008 Kamimura et al.
D579,970 S 11/2008 Kamimura et al.

D599,847 S * 9/2009 Yasui et al. D18/43

OTHER PUBLICATIONS

Kamimura et al.; U.S. Appl. No. 29/276,998, filed Feb. 9, 2007.
Ogasawara et al.; U.S. Appl. No. 29/303,524, filed Feb. 11, 2008.
Ogasawara et al.; U.S. Appl. No. 29/303,525, filed Feb. 11, 2008.
Kamimura et al.; U.S. Appl. No. 29/276,993, filed Feb. 9, 2007.
Kamimura et al.; U.S. Appl. No. 29/276,991, filed Feb. 9, 2007.
Kamimura et al.; U.S. Appl. No. 29/276,994, filed Feb. 9, 2007.
Ishikawa et al.; U.S. Appl. No. 29/303,513, filed Feb. 11, 2008.
Ishikawa; U.S. Appl. No. 29/303,515, filed Feb. 11, 2008.
Ishikawa et al.; U.S. Appl. No. 29/303,523, filed Feb. 11, 2008.
Ogasawara et al.; U.S. Appl. No. 29/303,528, filed Feb. 11, 2008.
Kamimura et al.; U.S. Appl. No. 29/276,996, filed Feb. 9, 2007.
Ishii et al.; U.S. Appl. No. 29/222,088, filed Jan. 27, 2005.
Kobayashi et al.; U.S. Appl. No. 29/197,021, filed Jan. 8, 2004.
Kobayashi et al.; U.S. Appl. No. 29/197,016, filed Jan. 8, 2004.
Ishikawa et al.; U.S. Appl. No. 29/245,317, filed Dec. 22, 2005.

* cited by examiner

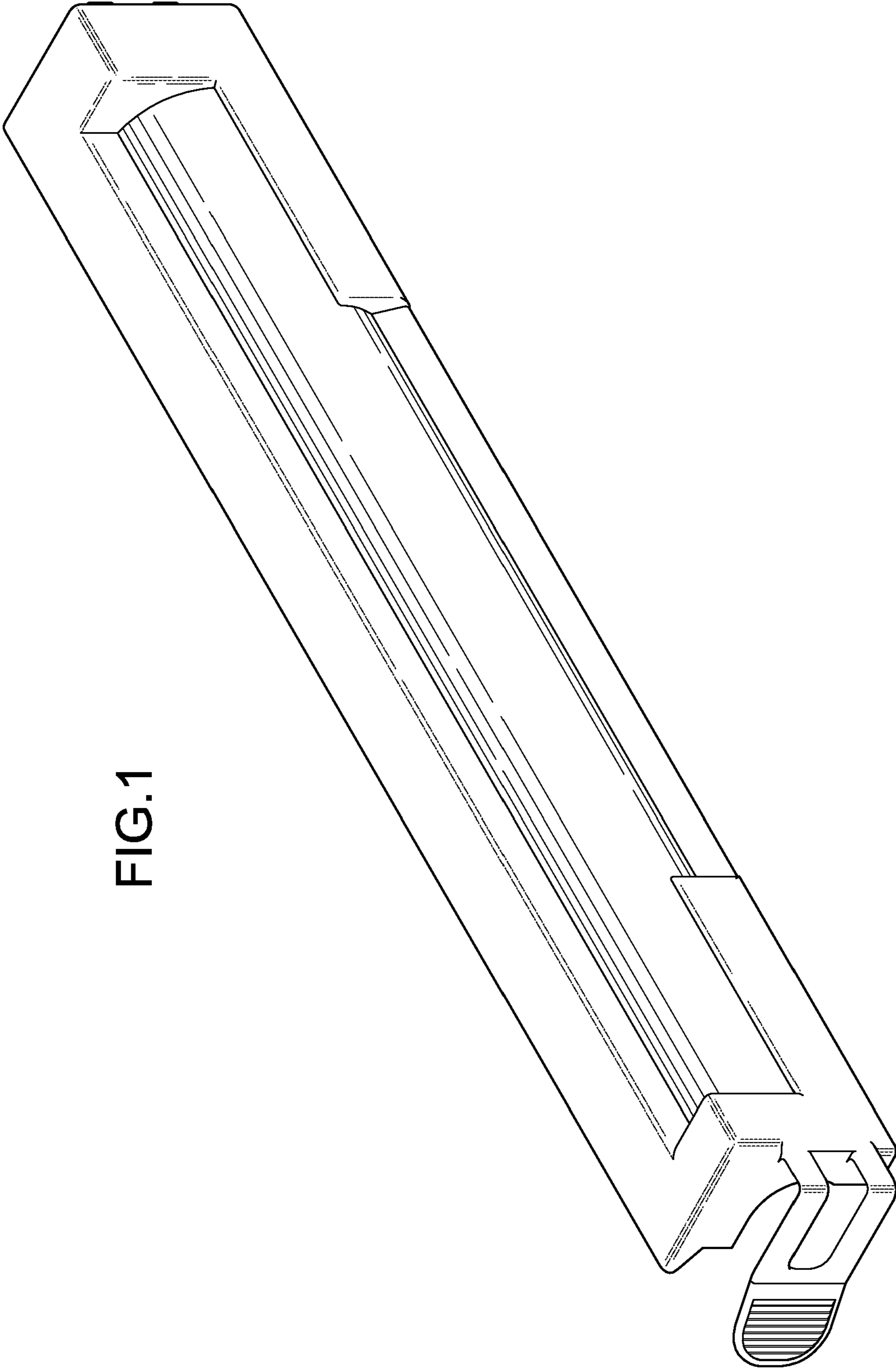


FIG.1

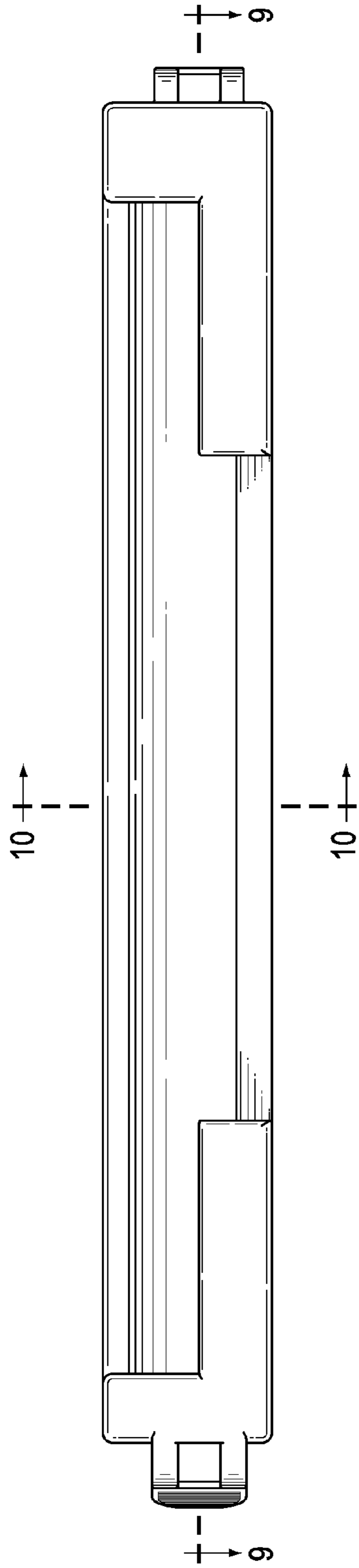


FIG. 2



FIG. 3

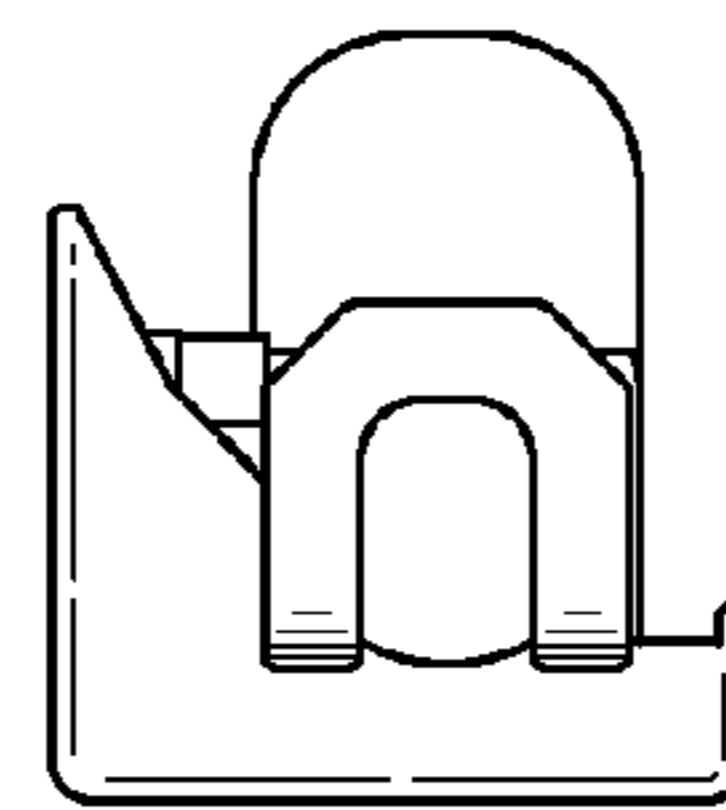


FIG. 4

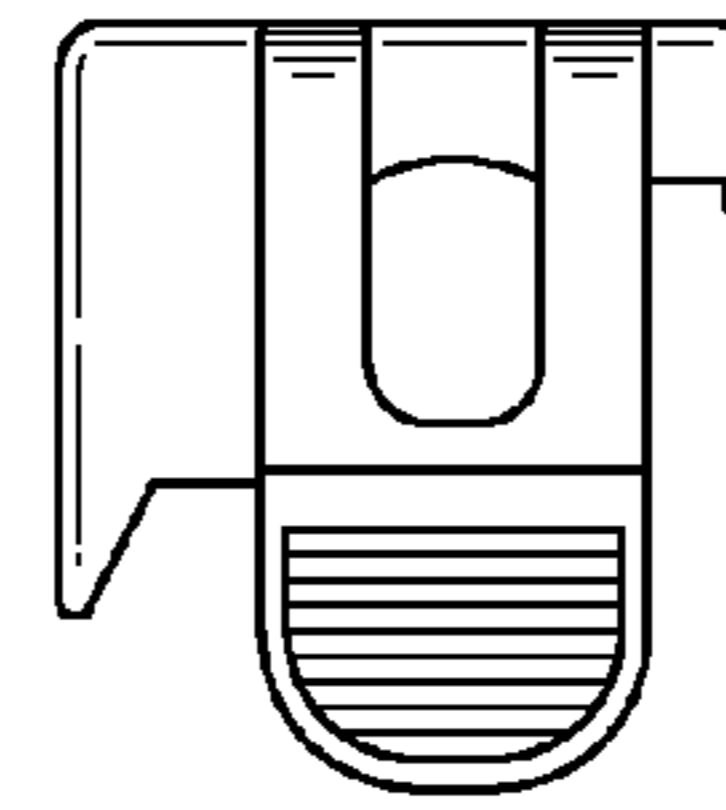


FIG. 5

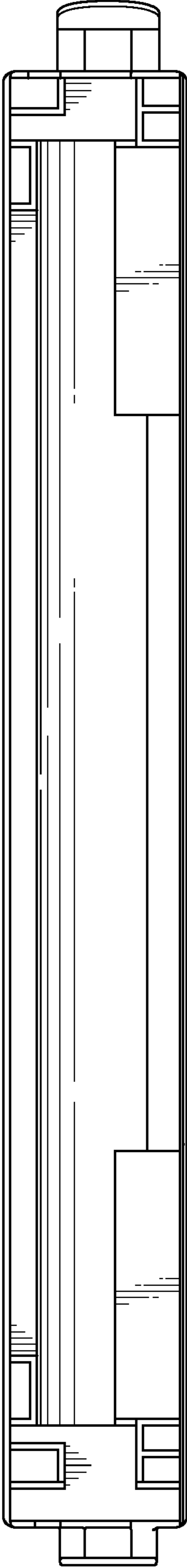


FIG. 6

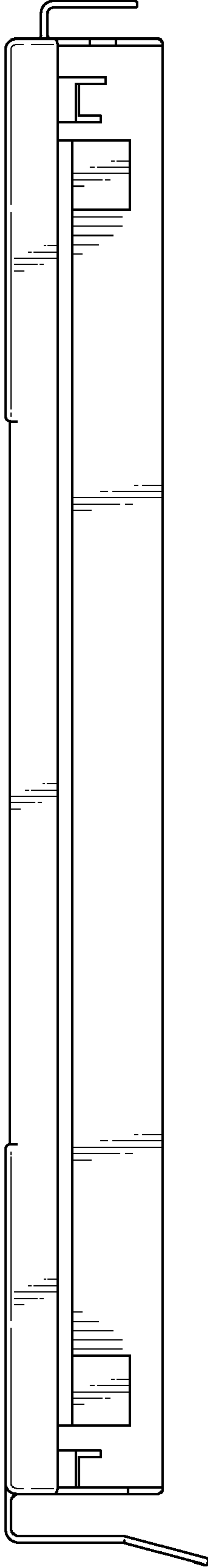


FIG. 7

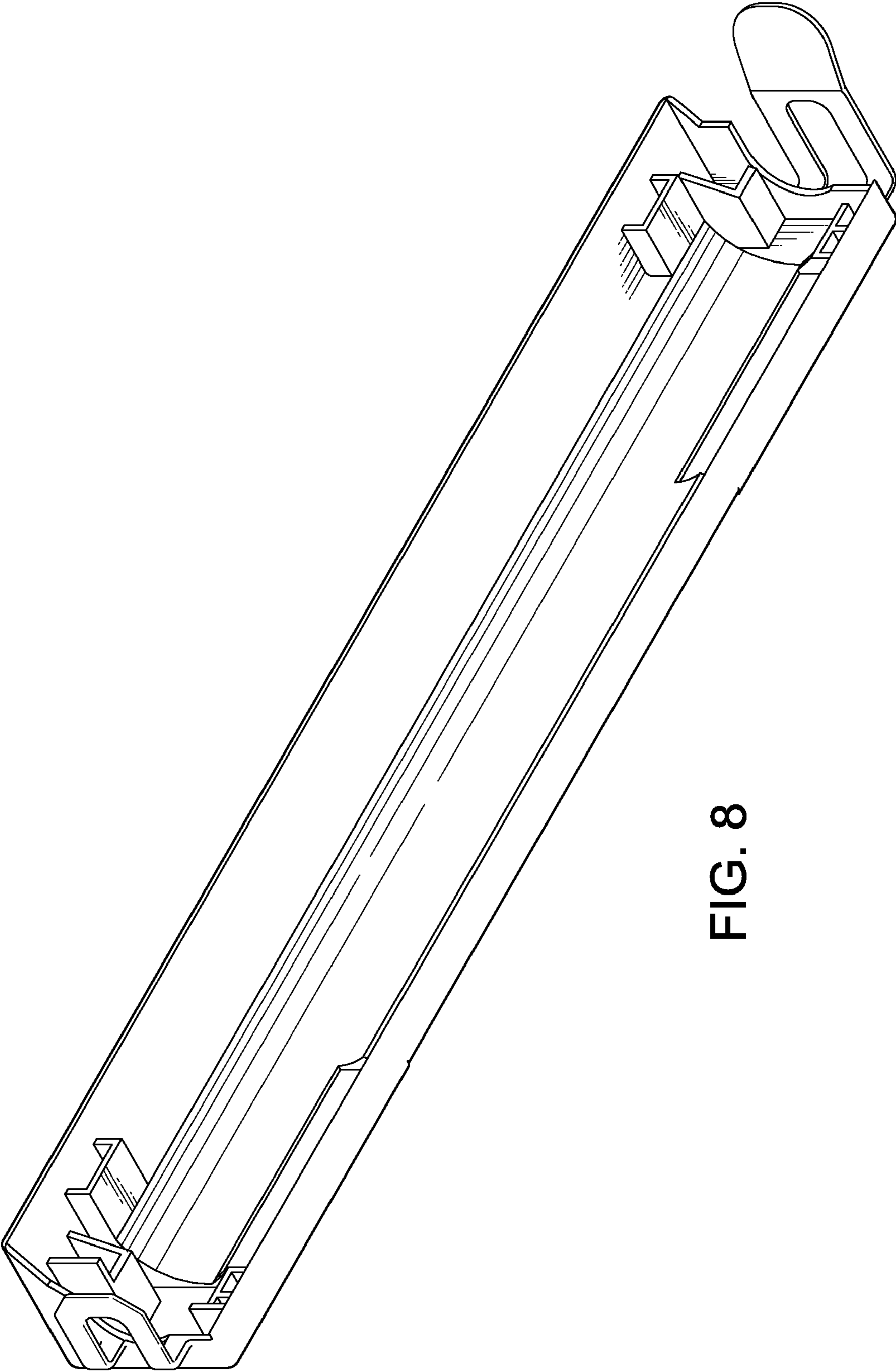


FIG. 8

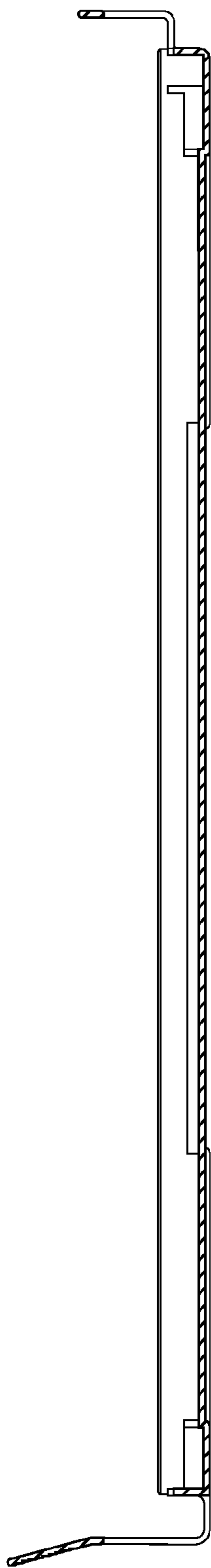


FIG. 9

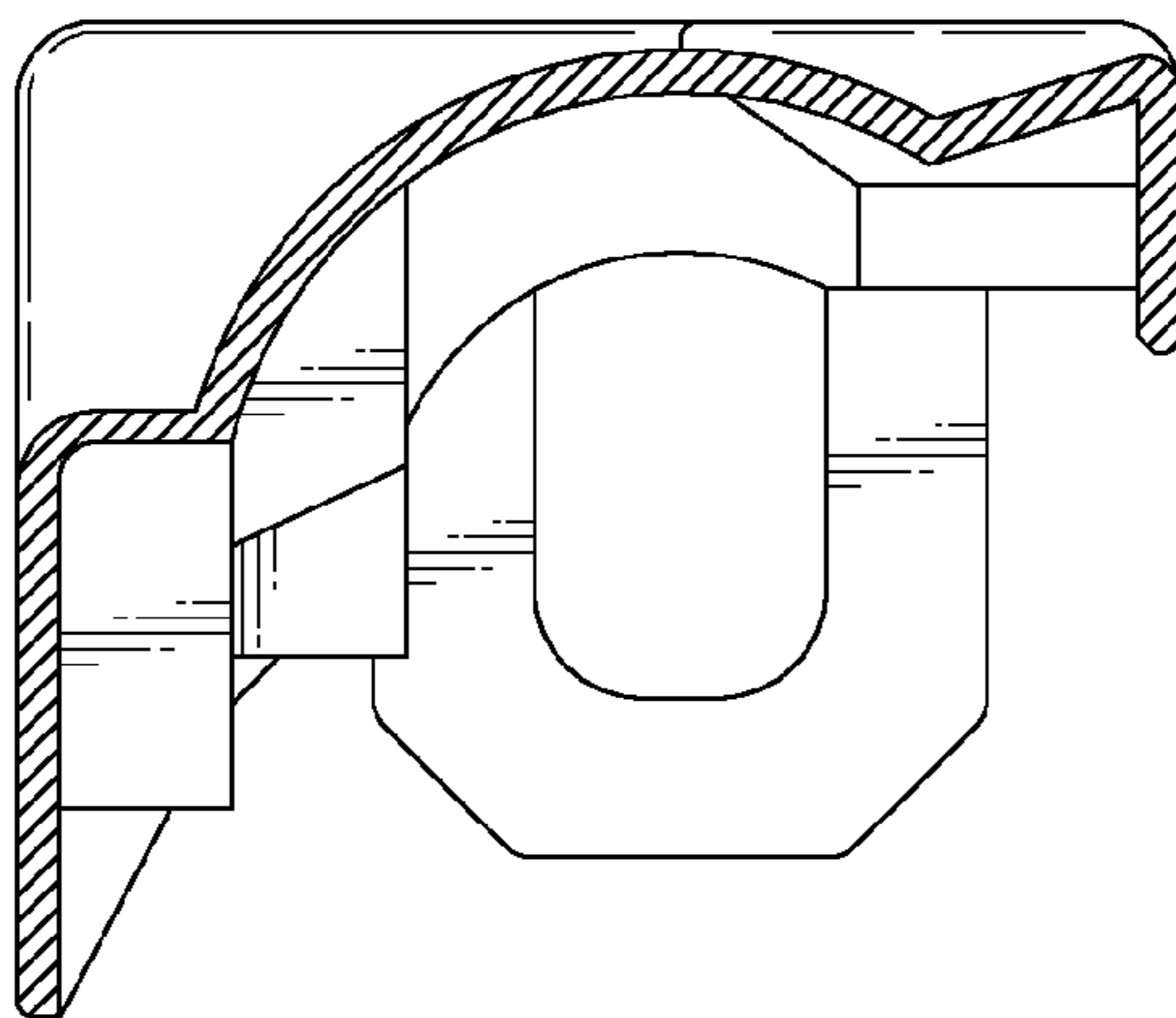


FIG. 10