

US00D631092S

(12) **United States Design Patent**  
**Nittani et al.**

(10) **Patent No.:** **US D631,092 S**  
(45) **Date of Patent:** **\*\* Jan. 18, 2011**

(54) **PROCESS CARTRIDGE**

(75) Inventors: **Susumu Nittani**, Shizuoka-ken (JP);  
**Masatomo Tsuzuki**, Chiba (JP);  
**Shinjiro Toba**, Yokohama (JP); **Akira Yoshimura**, Shizuoka-ken (JP)

(73) Assignee: **Canon Kabushiki Kaisha**, Tokyo (JP)

(\*\*) Term: **14 Years**

(21) Appl. No.: **29/328,854**

(22) Filed: **Dec. 3, 2008**

(30) **Foreign Application Priority Data**

Jun. 6, 2008 (JP) ..... 2008-014401

(51) **LOC (9) Cl.** ..... **16-03**

(52) **U.S. Cl.** ..... **D18/43**

(58) **Field of Classification Search** ..... D14/462,  
D14/471, 474, 475; D18/12, 36, 40, 43,  
D18/44, 56; 222/DIG. 1; 347/197, 214,  
347/222; 399/24-28, 107-112, 119, 121,  
399/122, 222-224

See application file for complete search history.

(56) **References Cited**

**U.S. PATENT DOCUMENTS**

D464,369 S \* 10/2002 Kunihiro et al. .... D18/43  
D471,203 S \* 3/2003 Miyaoka ..... D14/471  
D478,614 S \* 8/2003 Numagami et al. .... D18/40  
D519,150 S 4/2006 Kojima et al. .... D18/40  
D555,717 S 11/2007 Batori et al. .... D18/43  
D570,403 S \* 6/2008 Park et al. .... D18/43

D574,882 S \* 8/2008 Saito et al. .... D18/43  
D576,667 S \* 9/2008 Yamagata et al. .... D18/43  
D587,304 S \* 2/2009 Murayama et al. .... D18/43  
D600,744 S \* 9/2009 Kim ..... D18/43  
2001/0028811 A1\* 10/2001 Kojima et al. .... 399/111

\* cited by examiner

*Primary Examiner*—Caron Veynar

*Assistant Examiner*—Garth Rademaker

(74) *Attorney, Agent, or Firm*—Fitzpatrick, Cella, Harper & Scinto

(57) **CLAIM**

The ornamental design for a process cartridge, as shown and described.

**DESCRIPTION**

FIG. 1 is a front view of a process cartridge showing our new design;

FIG. 2 is a rear view thereof;

FIG. 3 is a top plan view thereof;

FIG. 4 is a bottom plan view thereof;

FIG. 5 is a left side view thereof;

FIG. 6 is a right side view thereof;

FIG. 7 is a front, top, right side perspective view thereof;

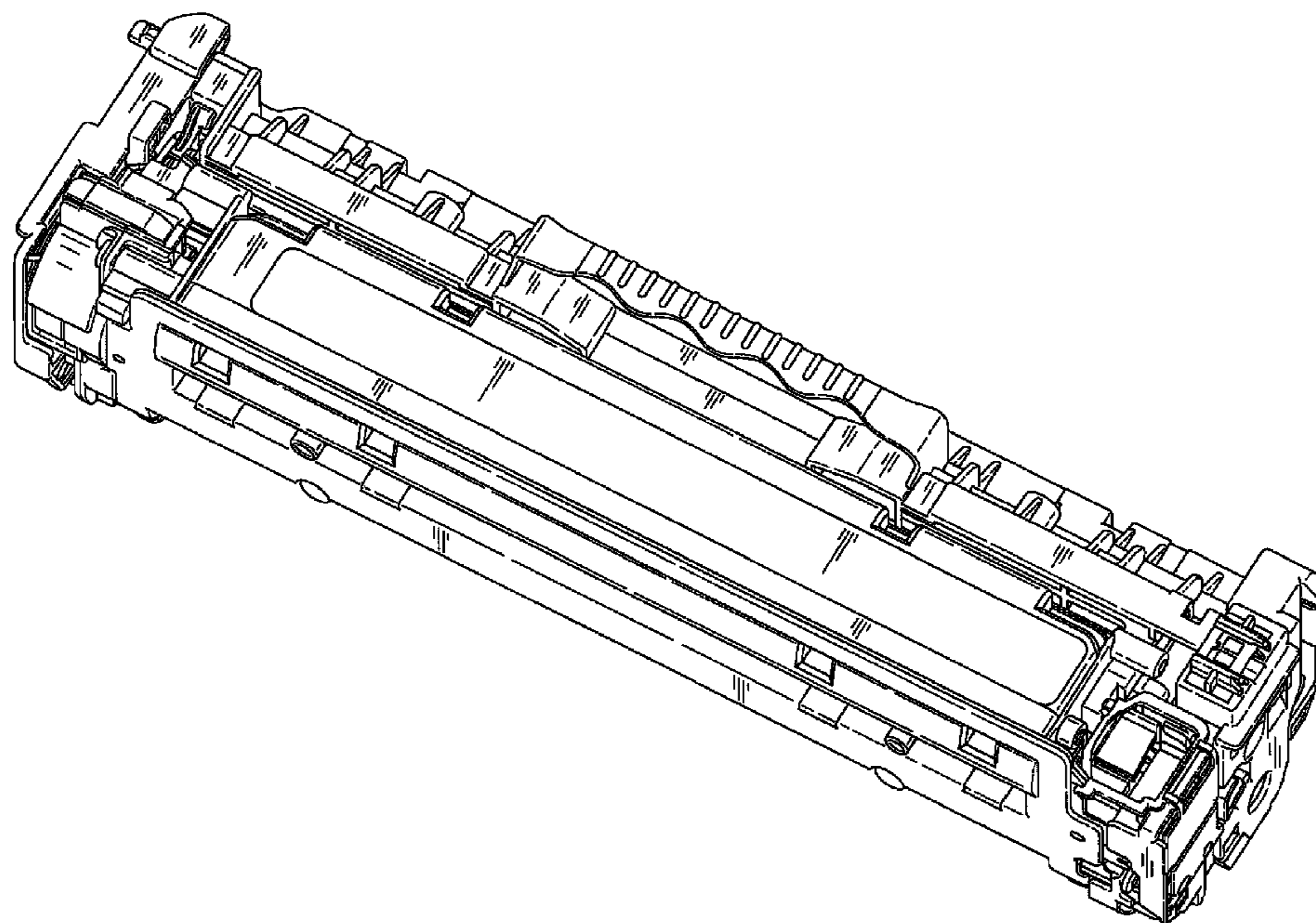
FIG. 8 is a front, bottom, right side perspective view thereof;

FIG. 9 is a front, top, left side perspective view thereof; and,

FIG. 10 is a rear, top, left side perspective view thereof.

The broken lines depict environmental subject matter only and form no part of the claimed design.

**1 Claim, 9 Drawing Sheets**



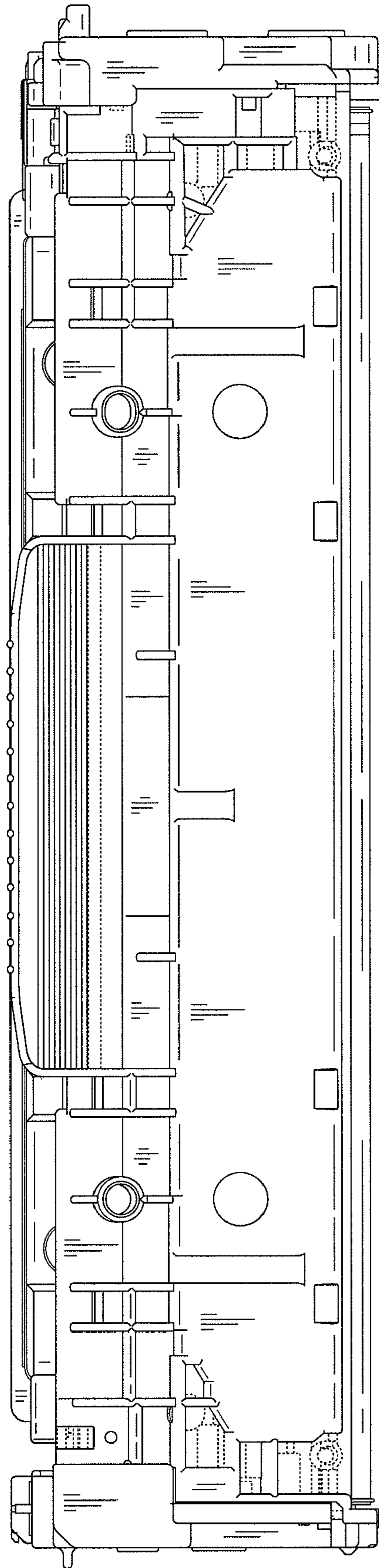


FIG. 1

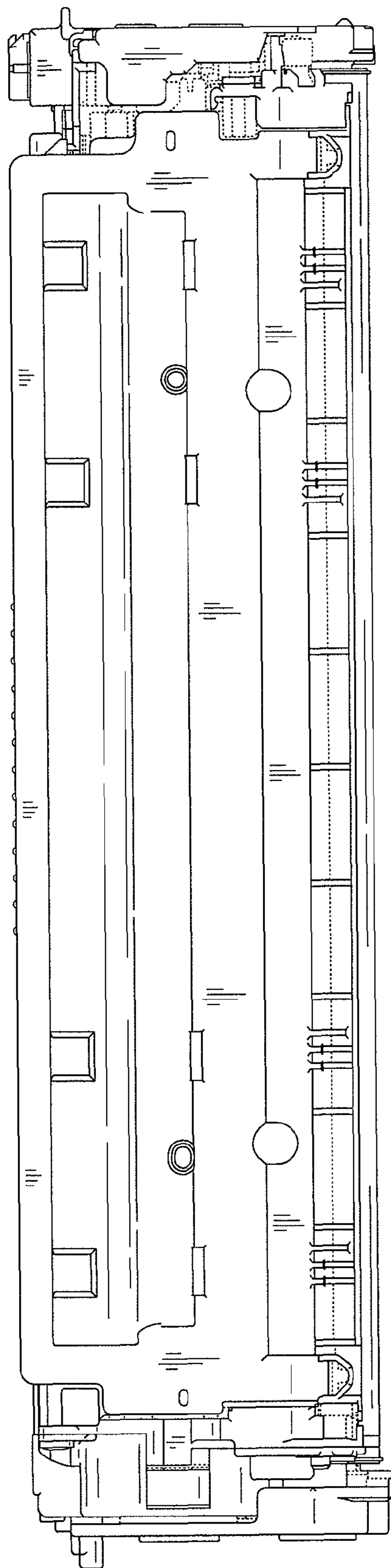


FIG. 2

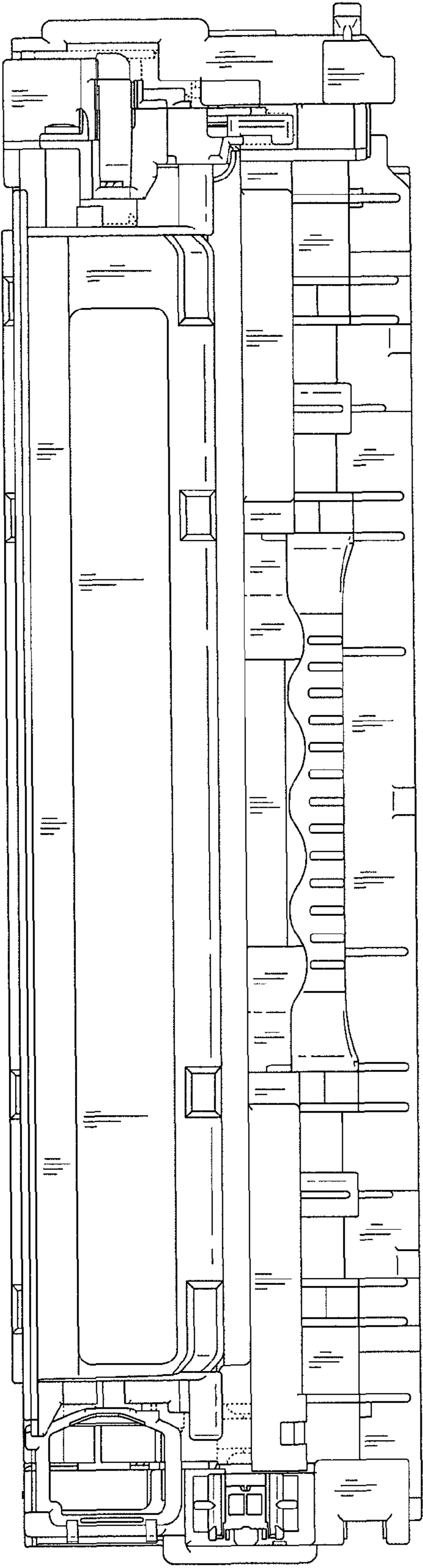


FIG. 3

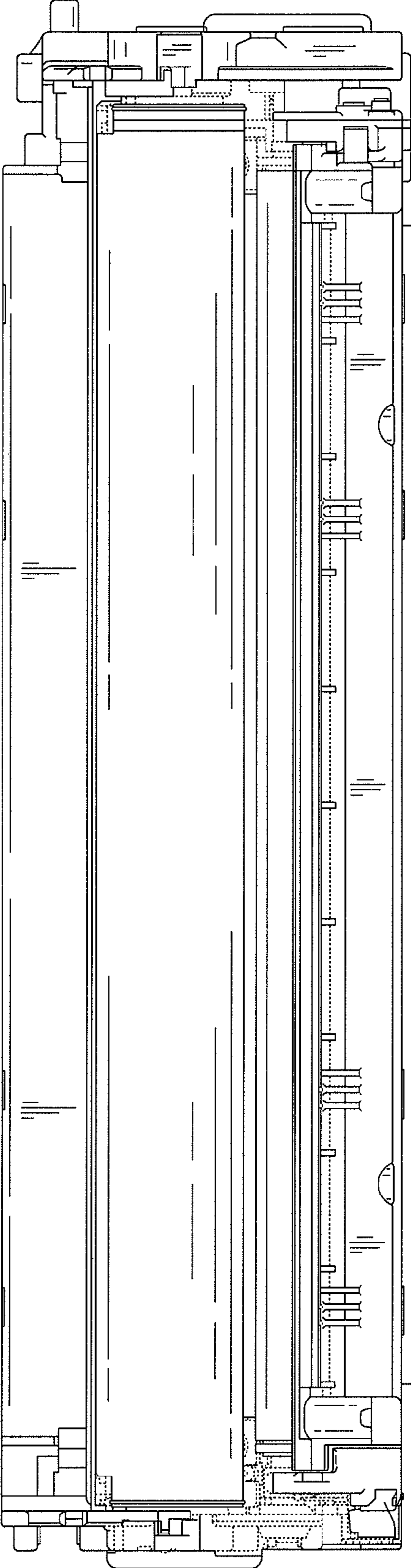
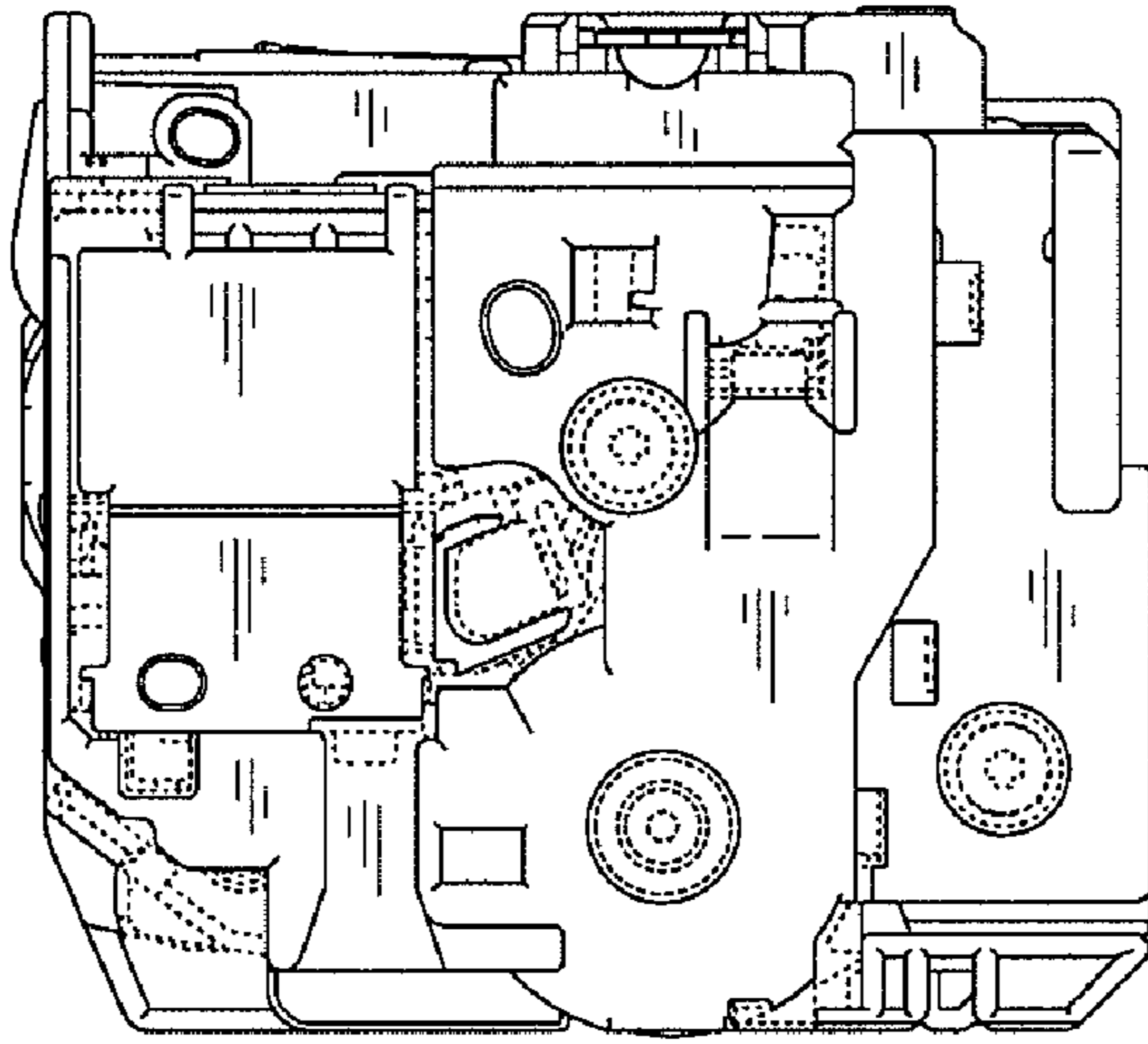
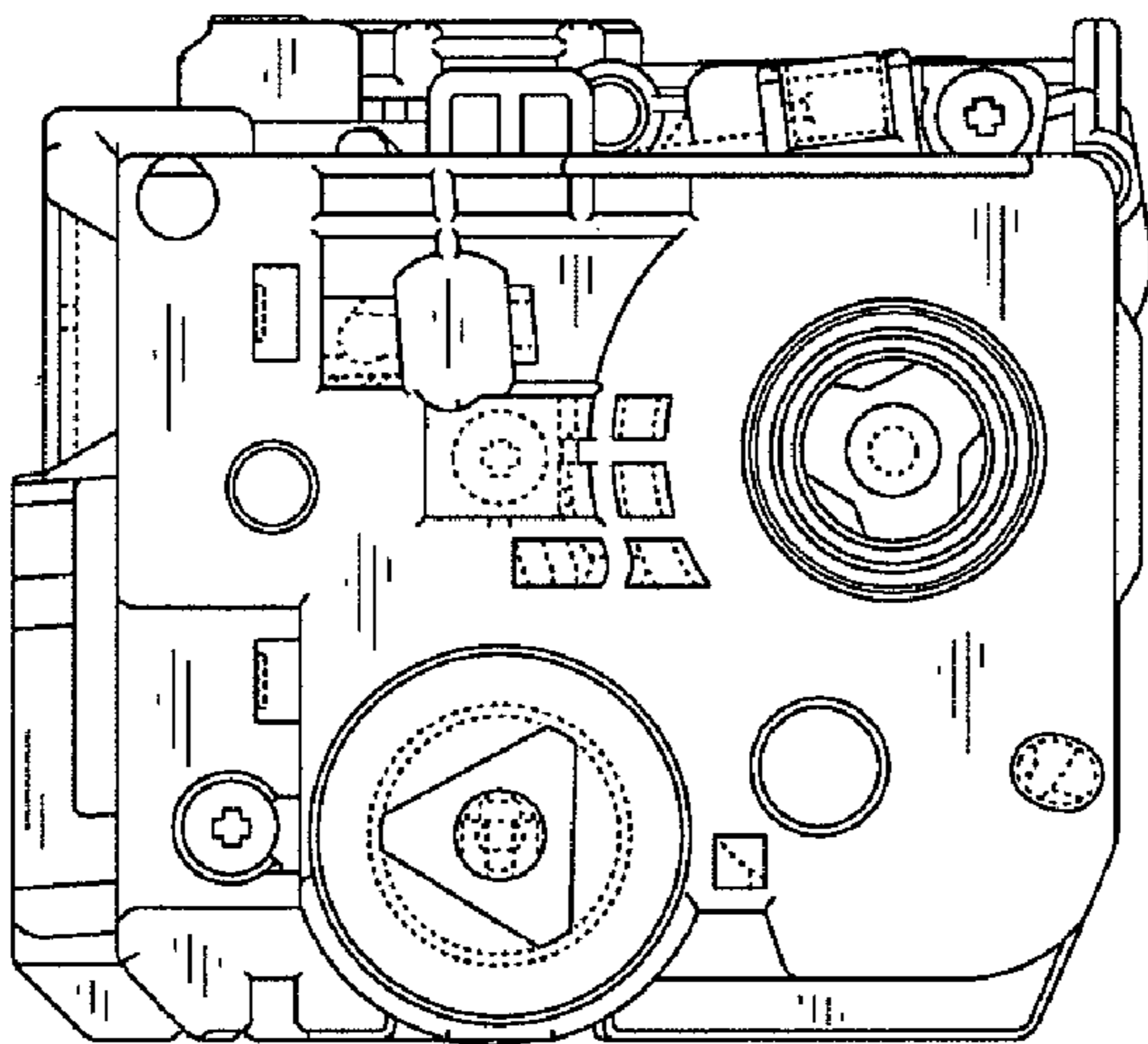


FIG. 4



*FIG. 5*



*FIG. 6*

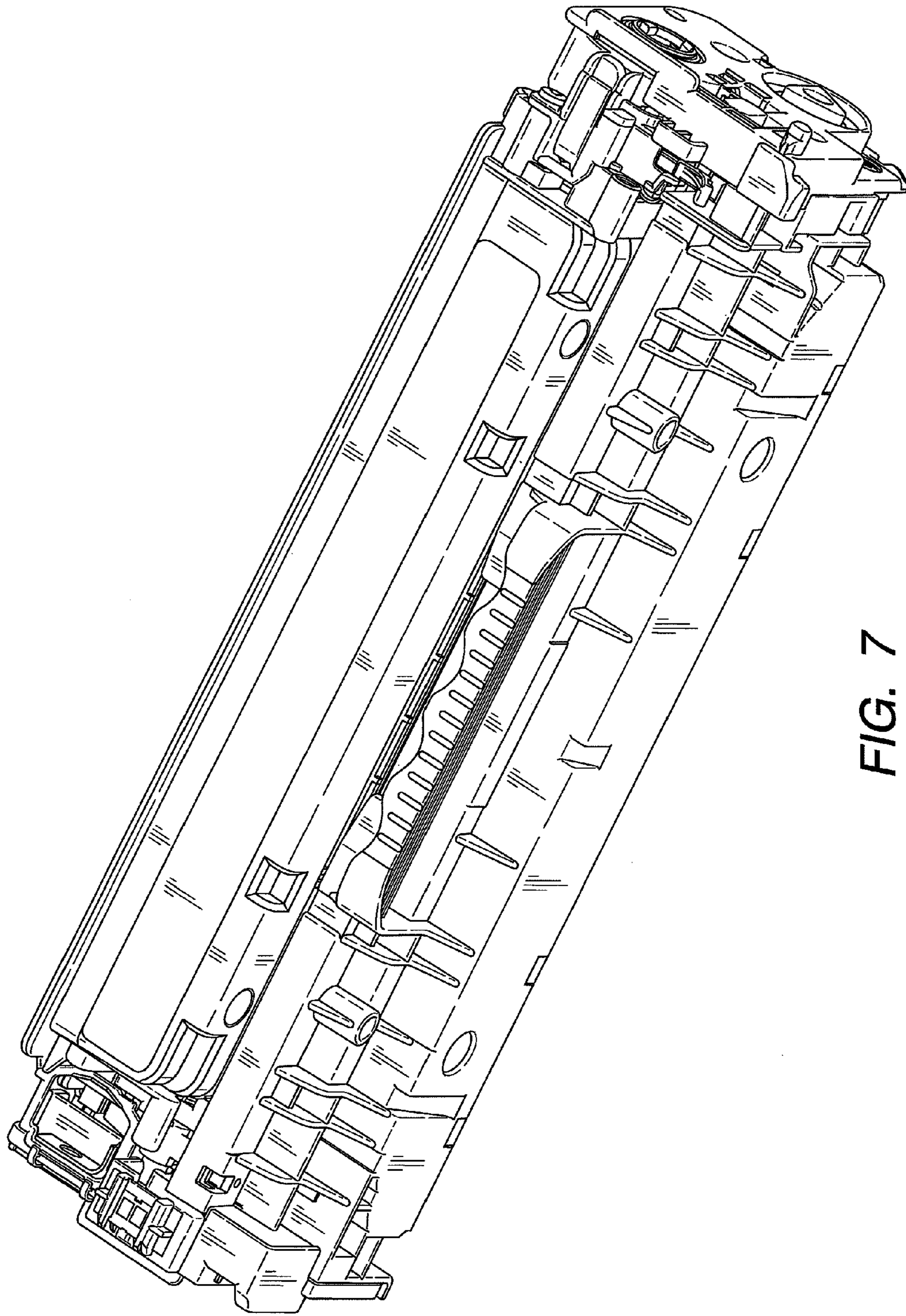


FIG. 7

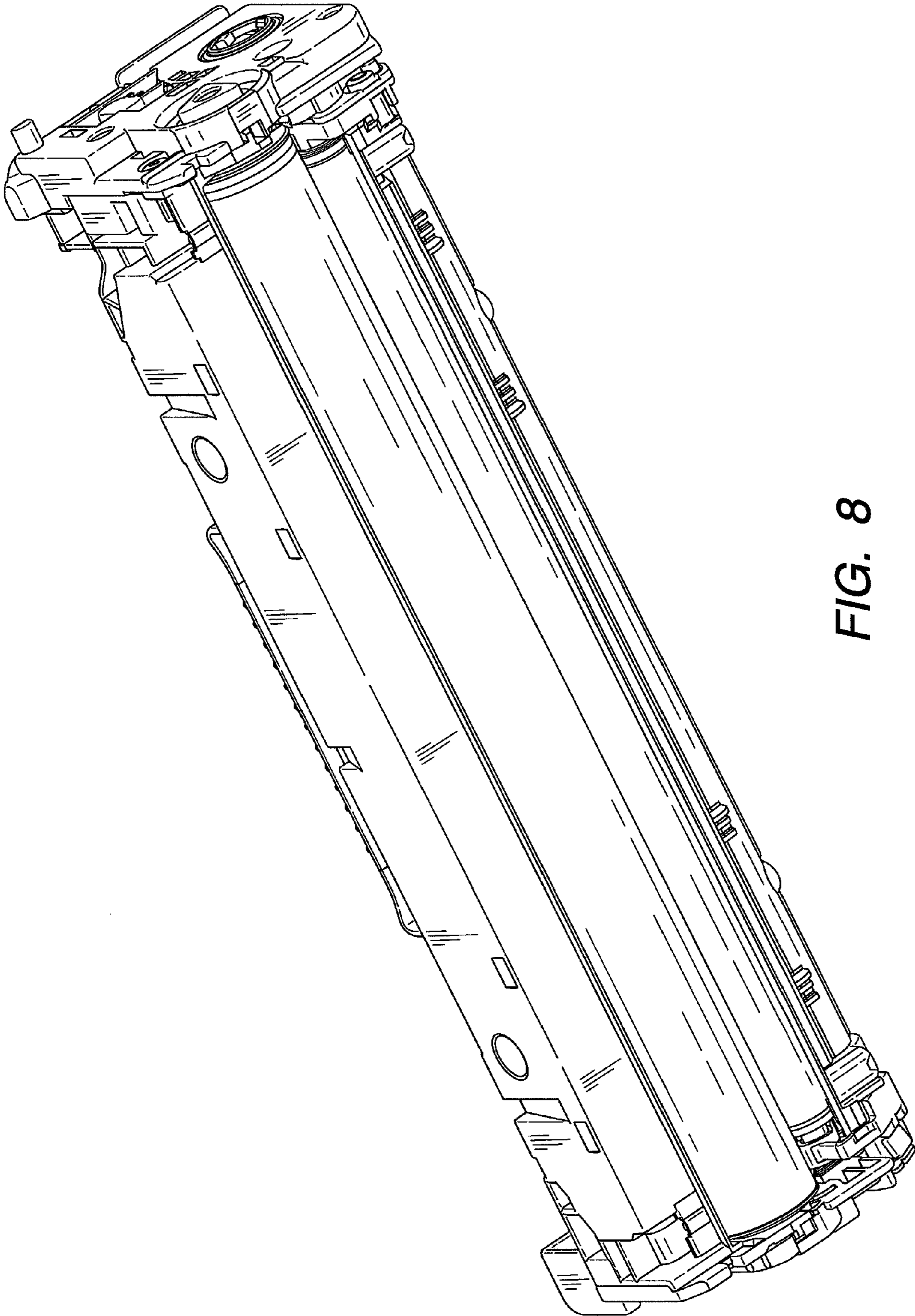


FIG. 8



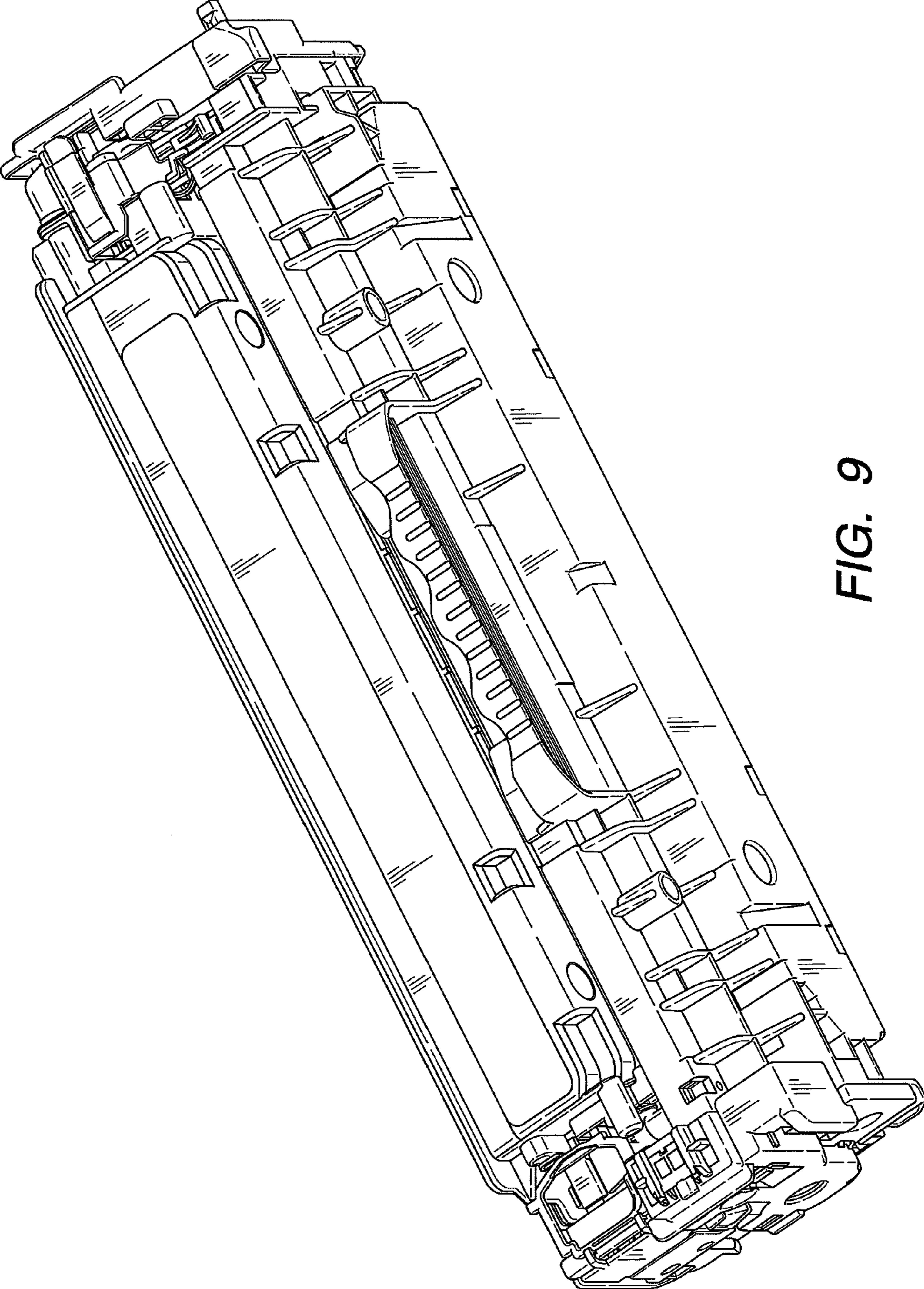


FIG. 9

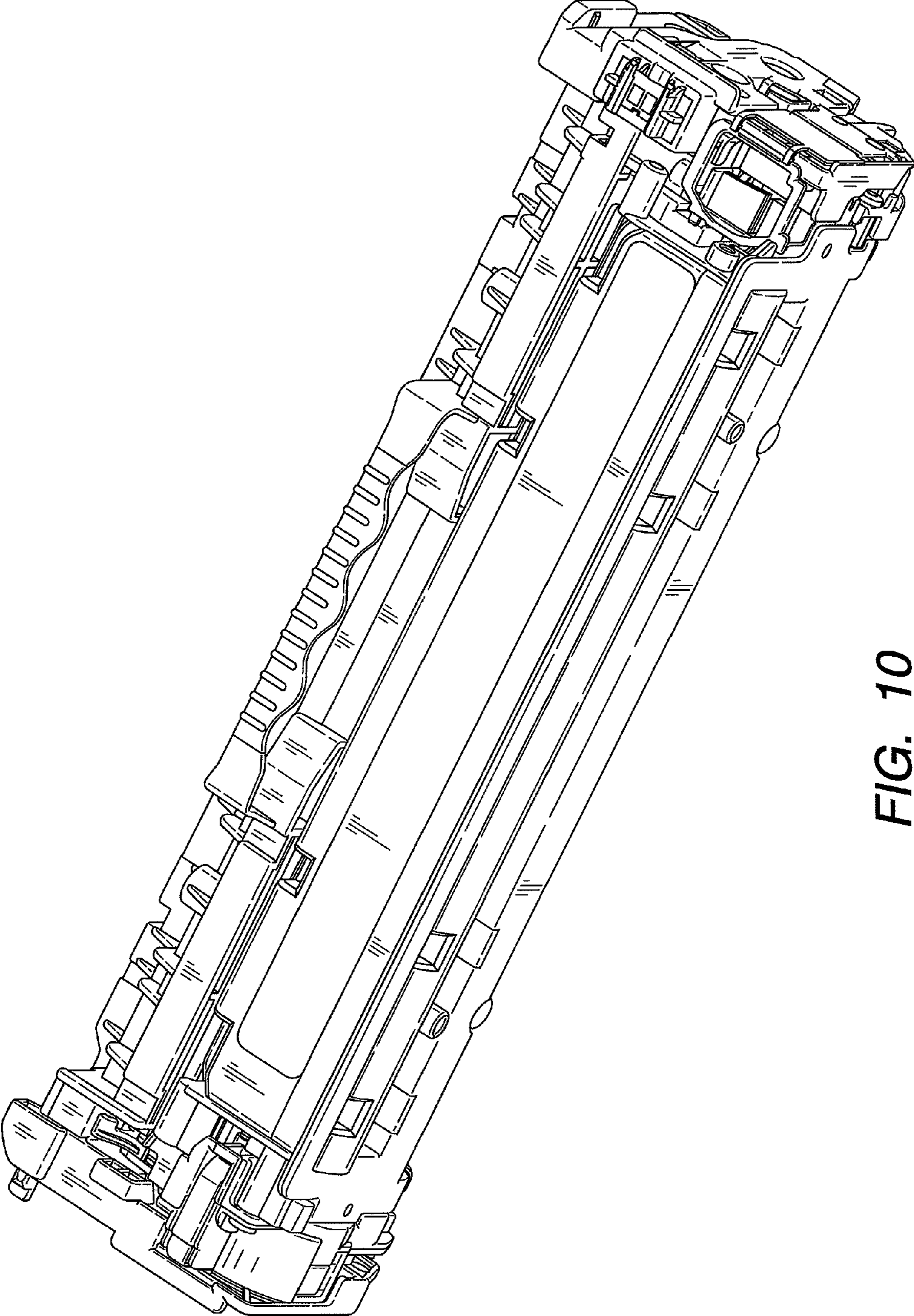


FIG. 10