



US00D631088S

(12) **United States Design Patent**
Chadani et al.

(10) **Patent No.:** **US D631,088 S**
(45) **Date of Patent:** **** Jan. 18, 2011**

(54) **PROCESS CARTRIDGE**

(75) Inventors: **Kazuo Chadani**, Shizuoka-ken (JP);
Tatsuya Suzuki, Shizuoka-ken (JP);
Yasufumi Yoshino, Fukuoka (JP);
Masaaki Sato, Shizuoka-ken (JP);
Hideki Kakuta, Shizuoka-ken (JP);
Osamu Anan, Susono (JP); **Tetsuo**
Furukawa, Shizuoka-ken (JP); **Hideki**
Nagae, Numazu (JP); **Hiroyuki**
Munetsugu, Susono (JP)

(73) Assignee: **Canon Kabushiki Kaisha**, Tokyo (JP)

(**) Term: **14 Years**

(21) Appl. No.: **29/328,377**

(22) Filed: **Nov. 24, 2008**

(30) **Foreign Application Priority Data**

May 26, 2008 (JP) 2008-013116

(51) **LOC (9) Cl.** **16-03**

(52) **U.S. Cl.** **D18/43**

(58) **Field of Classification Search** D14/462,
D14/471, 474, 475; D18/12, 36, 40, 43,
D18/44, 56; 222/DIG. 1; 347/197, 214,
347/222; 399/24-28, 107-112, 119, 121,
399/122, 222-224

See application file for complete search history.

(56) **References Cited**

U.S. PATENT DOCUMENTS

D298,333 S * 11/1988 Masaki et al. D18/43
D398,633 S * 9/1998 Hashizume et al. D18/40
D400,570 S * 11/1998 Konuma et al. D18/40
D451,125 S * 11/2001 Sugiyama et al. D18/40
D462,984 S 9/2002 Hayashi et al. D18/40
D474,804 S * 5/2003 Kubota et al. D18/40

D477,631 S 7/2003 Mori et al. D18/40
D489,752 S * 5/2004 Yamaguchi et al. D18/40
D519,150 S 4/2006 Kojima et al. D18/40
D537,110 S * 2/2007 Nakata et al. D18/40
D597,592 S * 8/2009 Kim D18/43
D598,491 S * 8/2009 Kusudo et al. D18/43
D598,950 S * 8/2009 Kusudo et al. D18/43
2004/0223782 A1 * 11/2004 Hosokawa et al. 399/111

* cited by examiner

Primary Examiner—Caron Veynar

Assistant Examiner—Garth Rademaker

(74) *Attorney, Agent, or Firm*—Fitzpatrick, Cella, Harper & Scinto

(57) **CLAIM**

The ornamental design for a process cartridge, as shown and described.

DESCRIPTION

FIG. 1 is a front view of a process cartridge showing our new design;

FIG. 2 is a rear view thereof;

FIG. 3 is a top plan view thereof;

FIG. 4 is a bottom plan view thereof;

FIG. 5 is a left side view thereof;

FIG. 6 is a right side view thereof;

FIG. 7 is a front, top, right side perspective view thereof;

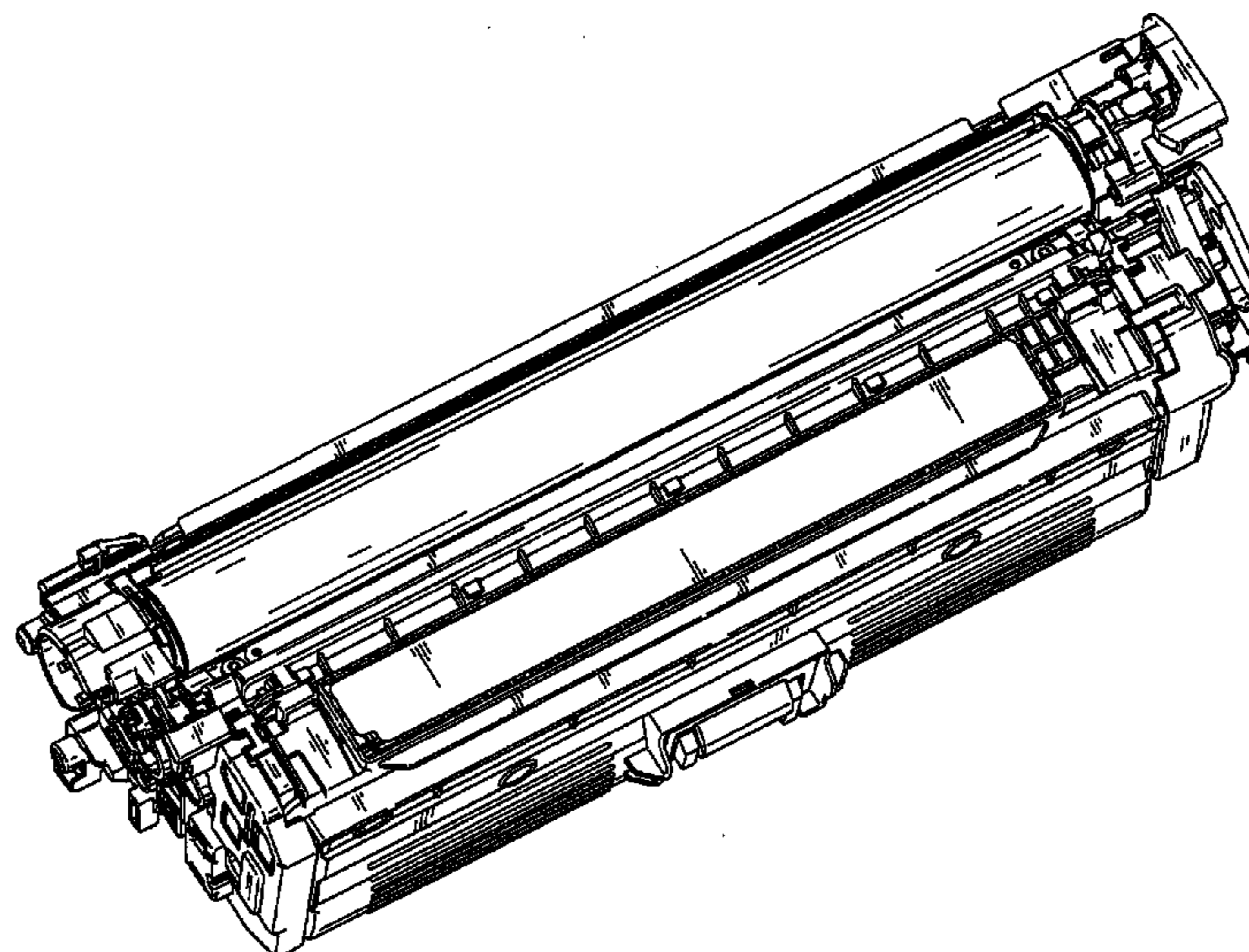
FIG. 8 is a front, top, left side perspective view thereof;

FIG. 9 is a front, bottom, left side perspective view thereof; and,

FIG. 10 is a rear, bottom, right side perspective view thereof.

The broken lines depict environmental subject matter only and form no part of the claimed design.

1 Claim, 9 Drawing Sheets



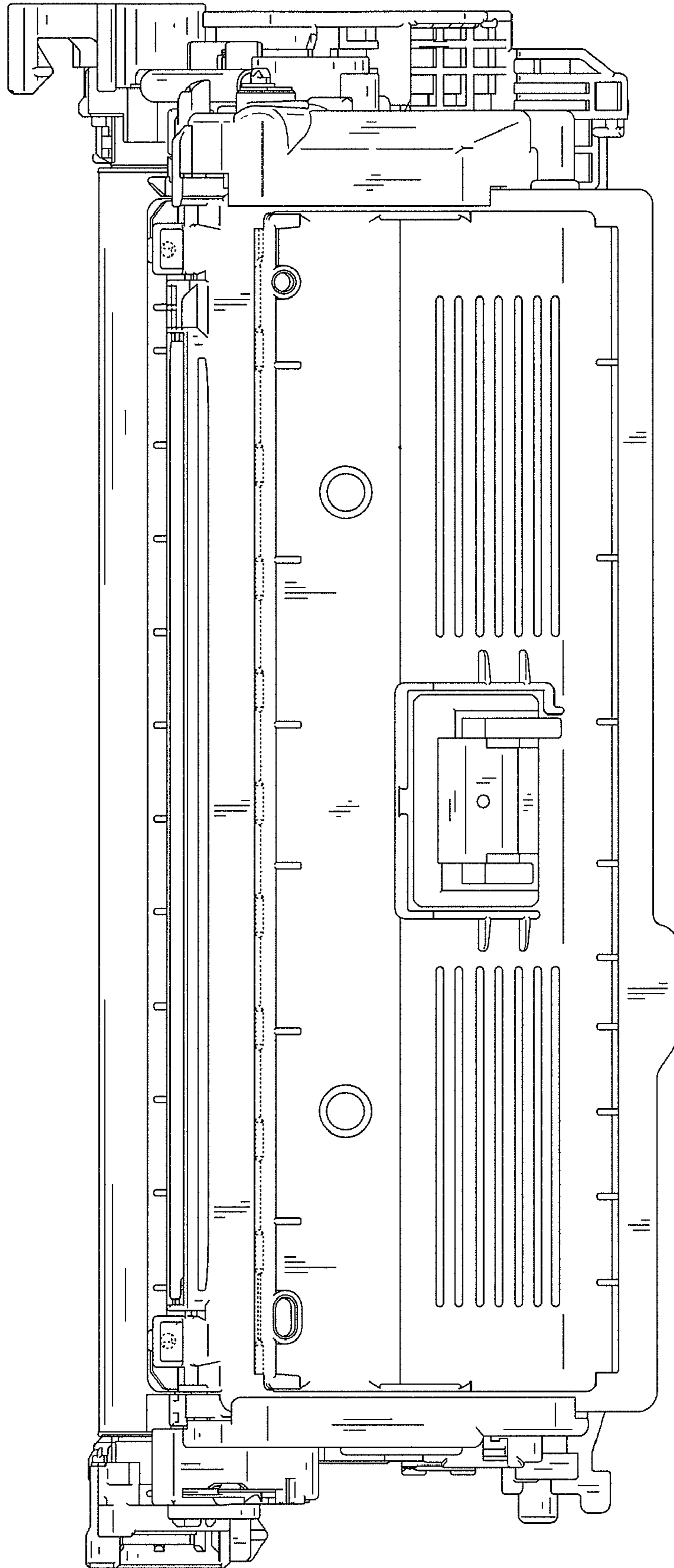


FIG. 1

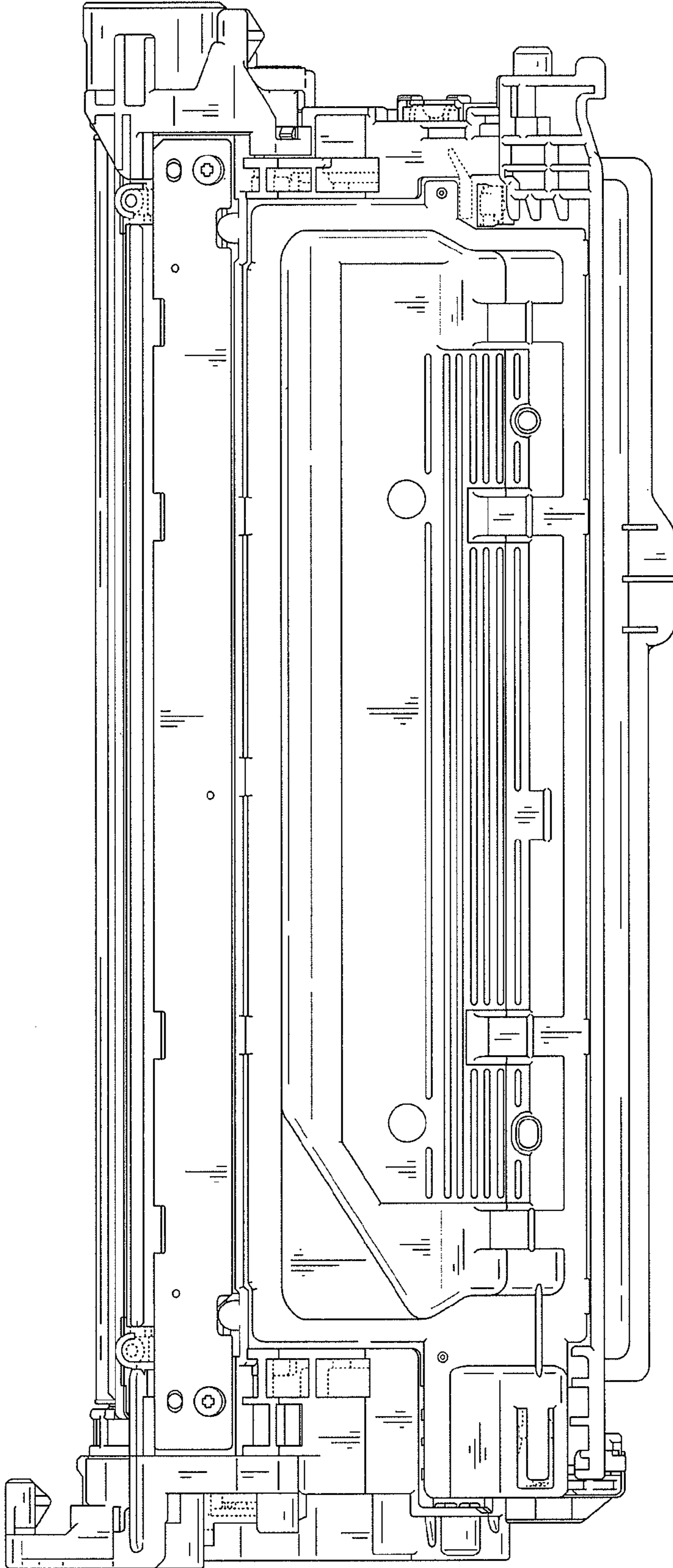


FIG. 2

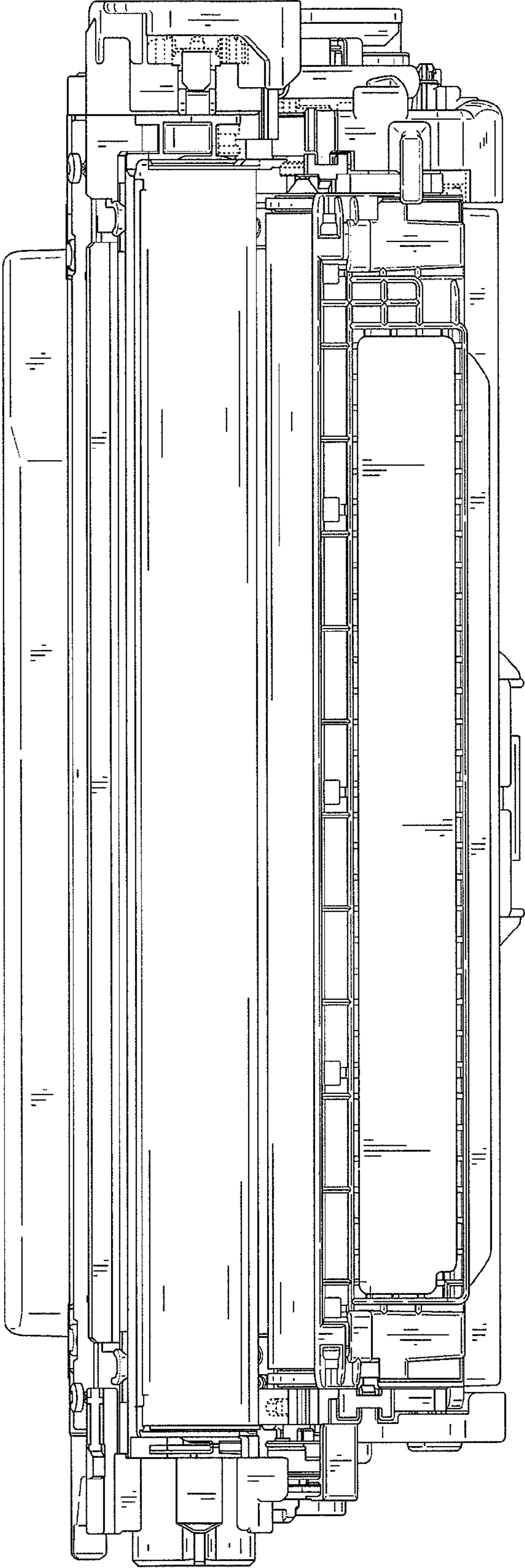


FIG. 3

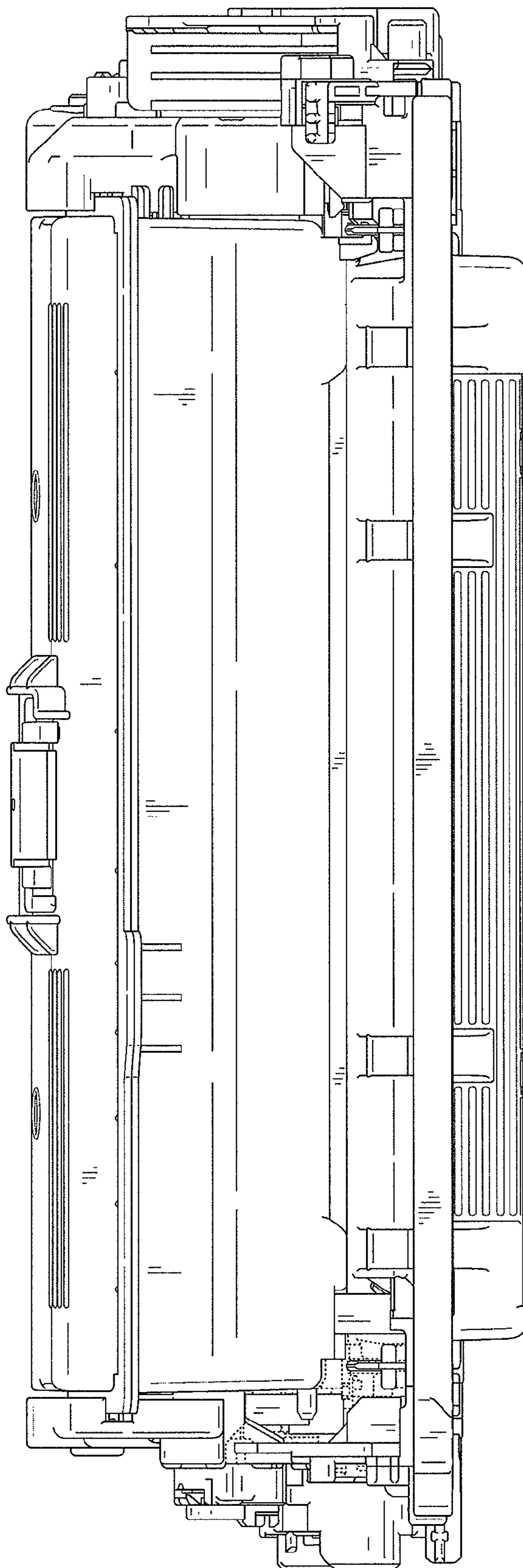


FIG. 4

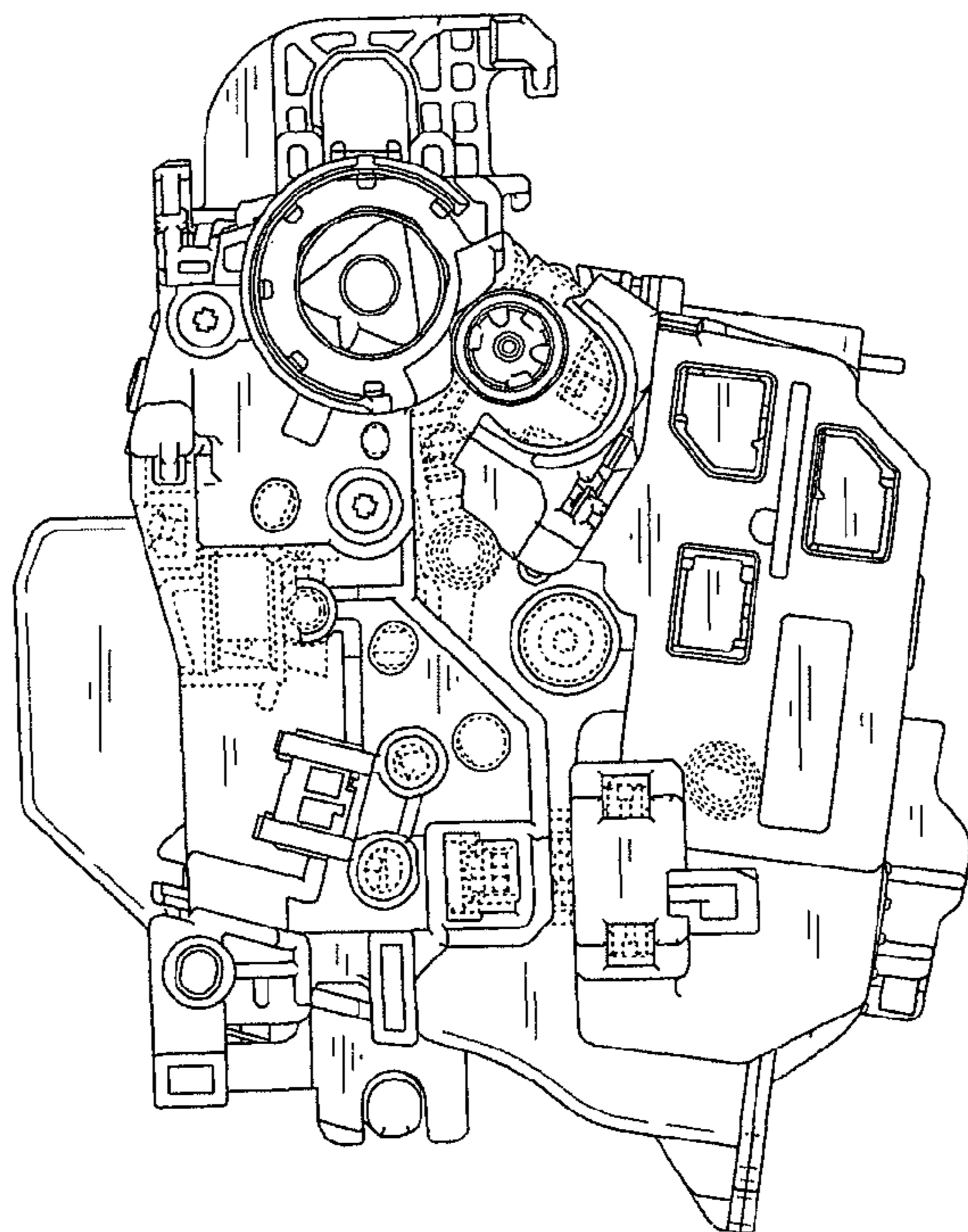


FIG. 5

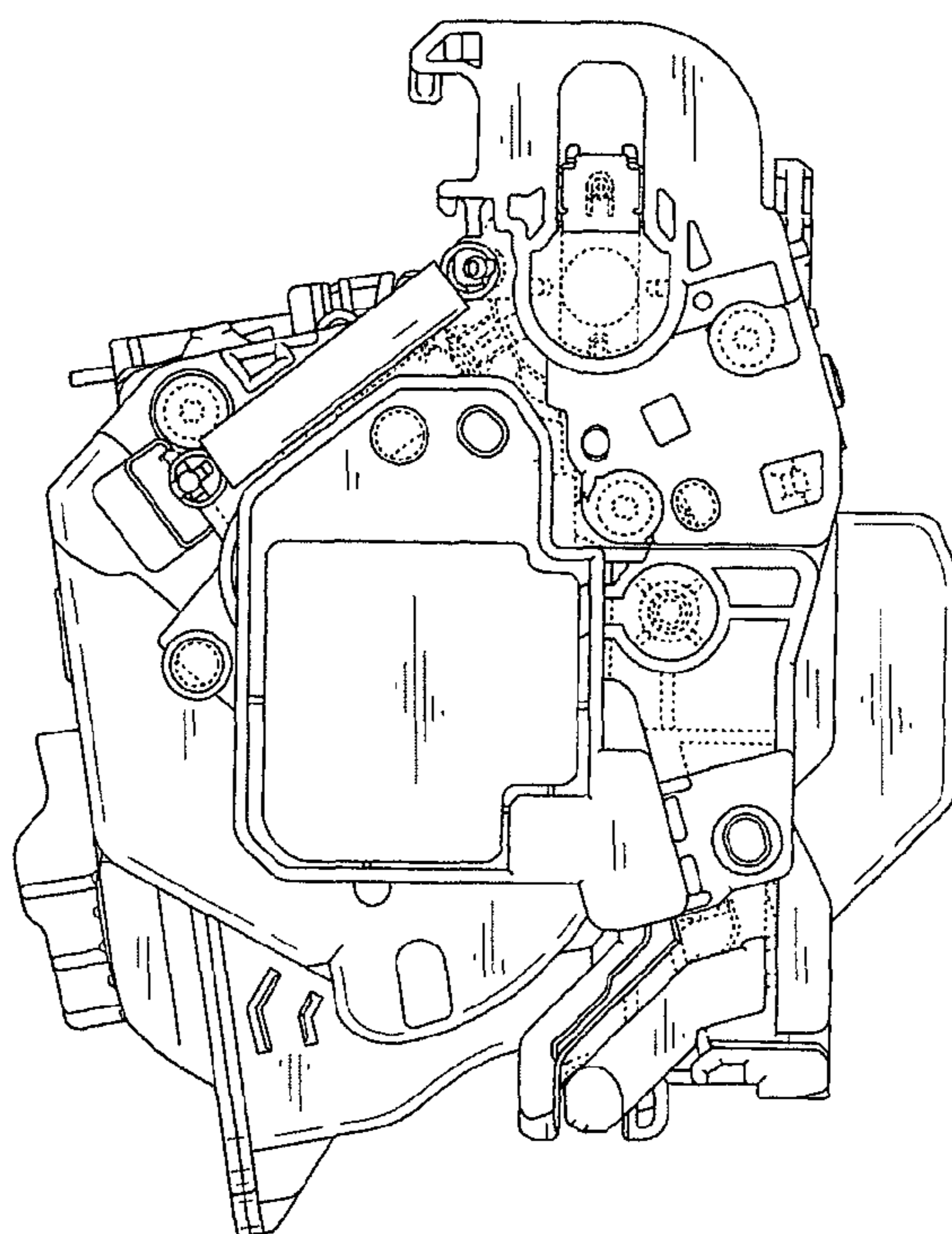


FIG. 6

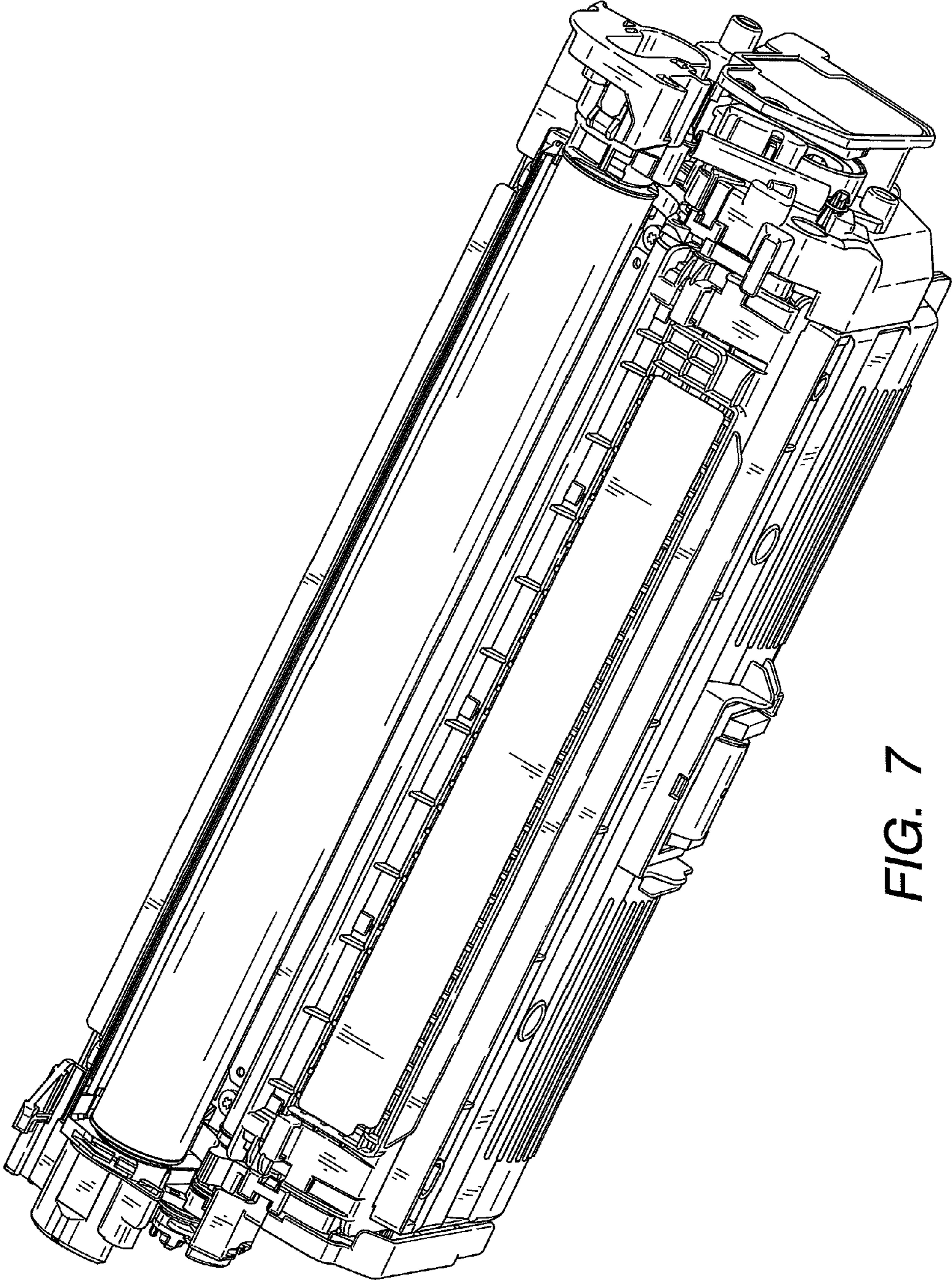


FIG. 7

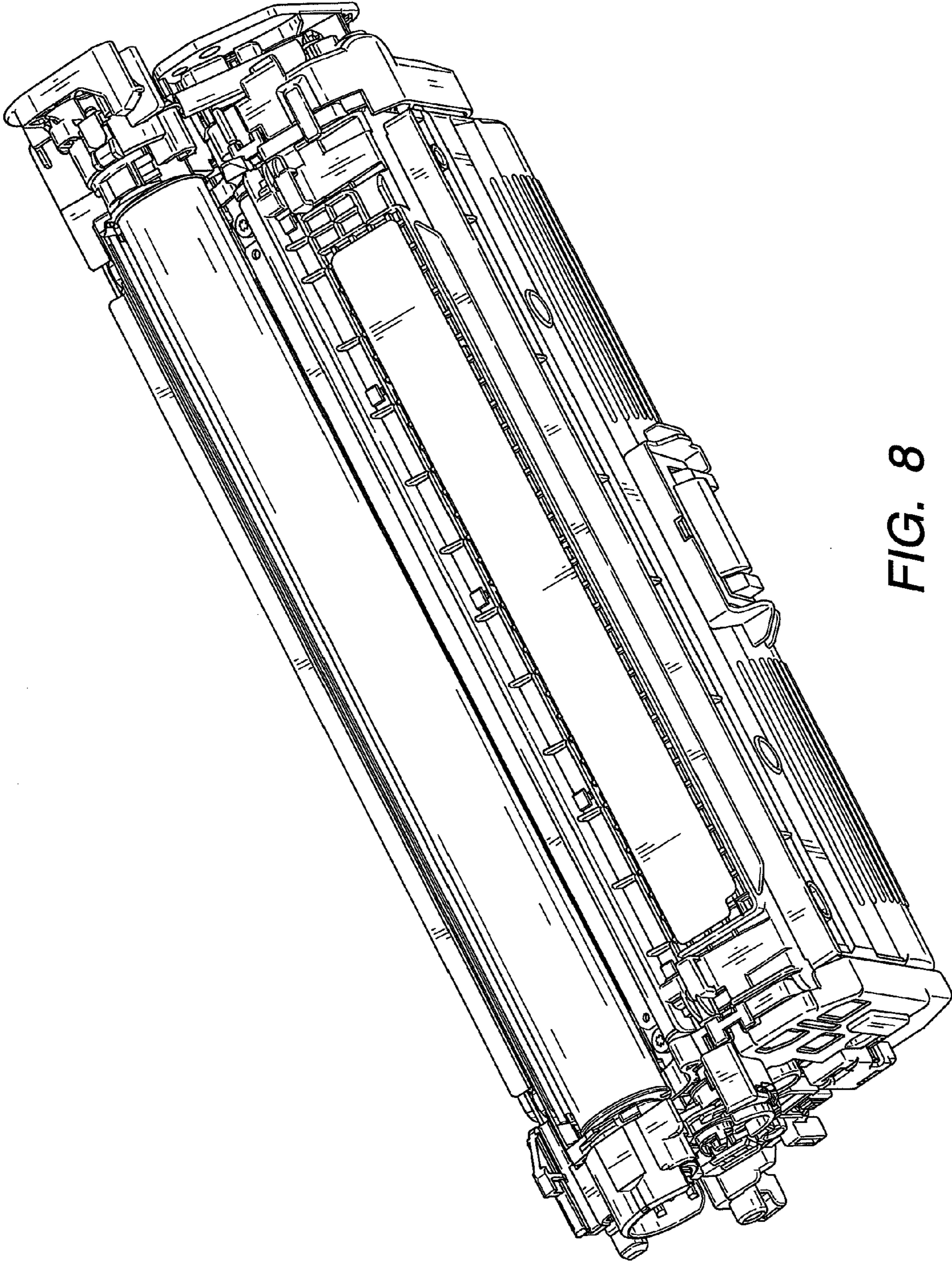


FIG. 8

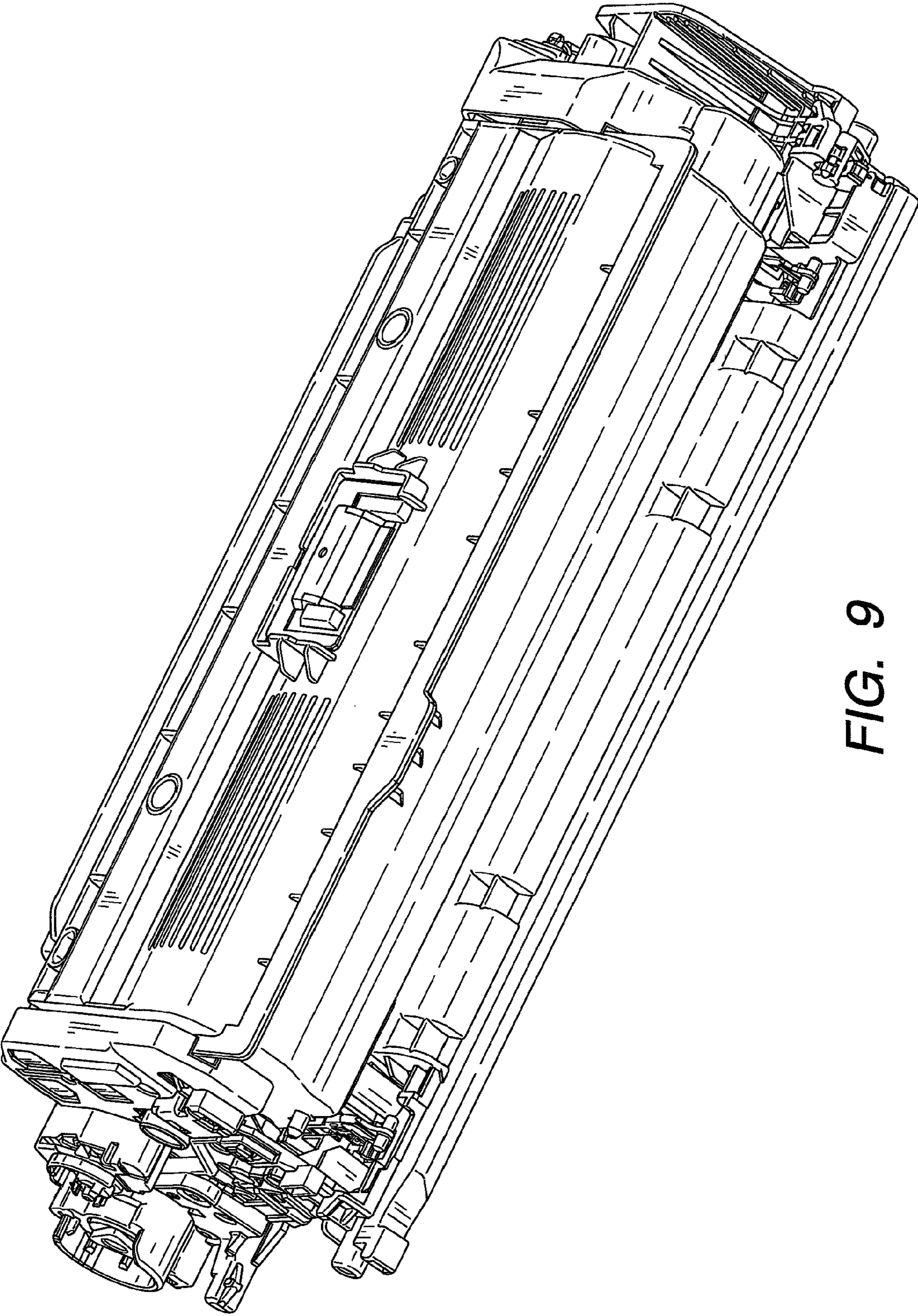


FIG. 9

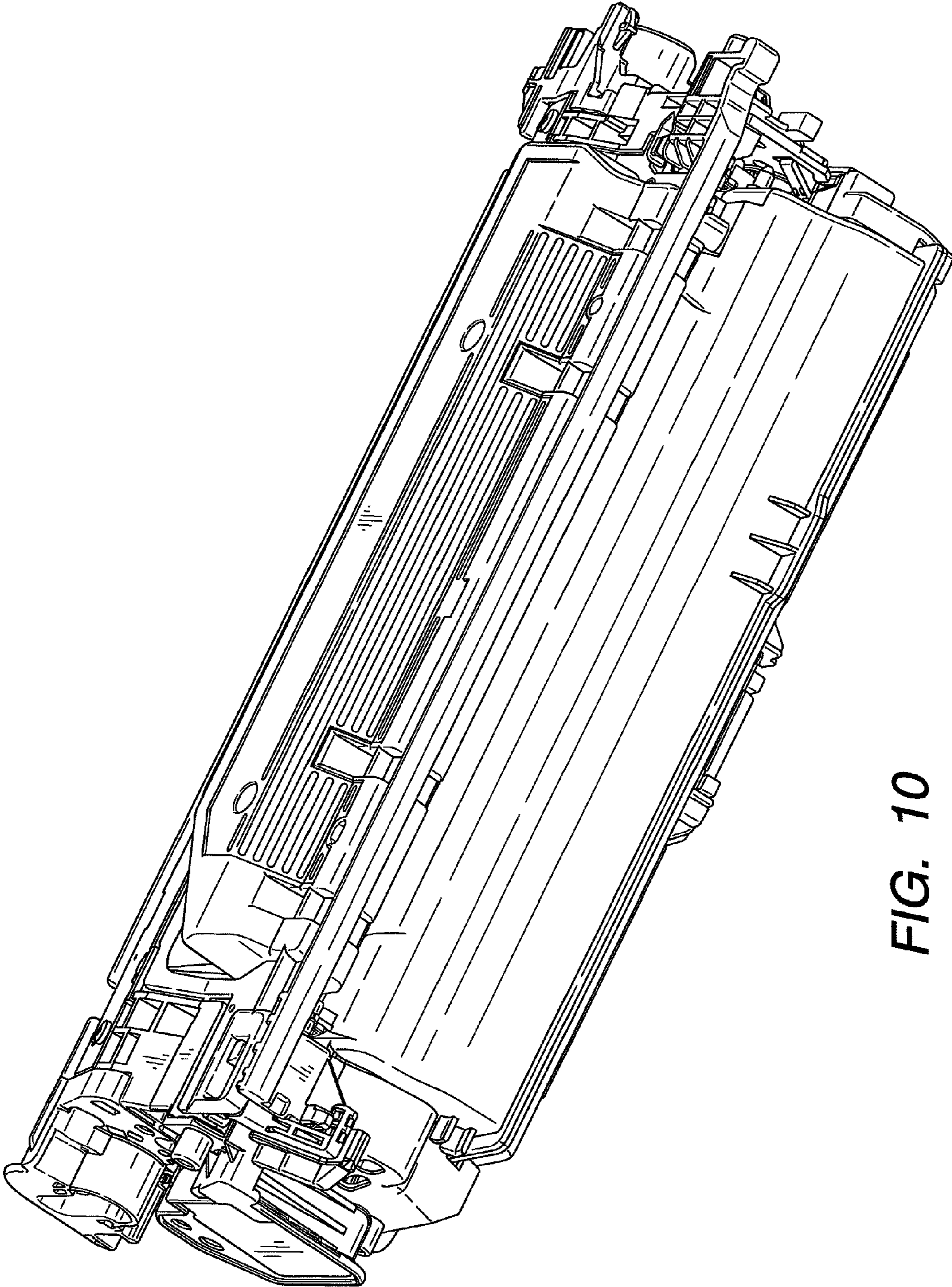


FIG. 10