



US00D631087S

(12) **United States Design Patent**  
**Arnold et al.**

(10) **Patent No.:** **US D631,087 S**  
(45) **Date of Patent:** **\*\* Jan. 18, 2011**

(54) **HAND HELD PORTABLE PRINTER**

(75) Inventors: **Gregory B. Arnold**, Centerville, OH (US); **James A. Makley**, Springboro, OH (US); **John D. Mistyurik**, Troy, OH (US); **C. Nelson Tharp**, Dayton, OH (US); **Jason R. Phillips**, Cincinnati, OH (US); **Ivan Huber**, Cincinnati, OH (US); **Kit Zhang**, Cincinnati, OH (US)

(73) Assignee: **Avery Dennison Retail Information Services, LLC**, Miamisburg, OH (US)

(\*\*) Term: **14 Years**

(21) Appl. No.: **29/362,603**

(22) Filed: **May 27, 2010**

(51) **LOC (9) Cl.** ..... **18-99**

(52) **U.S. Cl.** ..... **D18/19**

(58) **Field of Classification Search** ..... D18/15-19, D18/50, 7; 400/462-470, 613.1-613.4; 156/384, 156/DIG. 48, DIG. 49; D19/68

See application file for complete search history.

(56) **References Cited**

**U.S. PATENT DOCUMENTS**

D194,891 S \* 3/1963 Albrecht ..... D18/19

4,290,840 A \* 9/1981 Pabodie et al. .... 156/384  
4,497,682 A \* 2/1985 Hamisch, Jr. .... 156/384  
D279,198 S \* 6/1985 Pedersen ..... D18/19  
4,680,081 A \* 7/1987 Hamisch, Jr. .... 156/384  
D305,131 S \* 12/1989 Sato et al. .... D18/19  
D365,597 S \* 12/1995 Patzak et al. .... D18/19

\* cited by examiner

*Primary Examiner*—Charles A Rademaker

(57) **CLAIM**

The ornamental design for a hand-held portable printer, as shown and described.

**DESCRIPTION**

FIG. 1 is a perspective view of a hand-held portable printer showing our new design;

FIG. 2 is a front elevation view of the printer shown in FIG. 1;

FIG. 3 is a rear elevation view of the printer shown in FIG. 1;

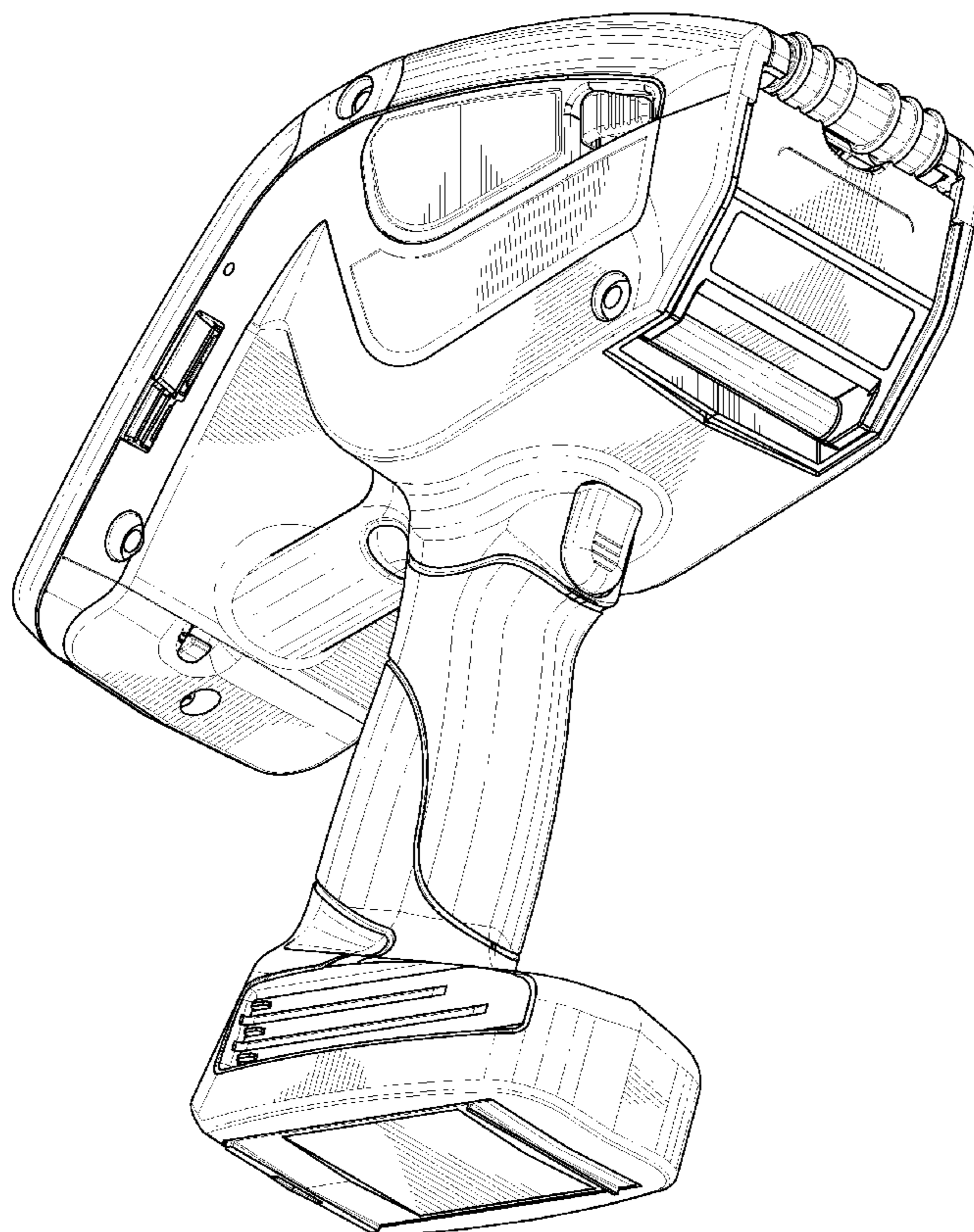
FIG. 4 is a left side elevation view of the printer shown in FIG. 1;

FIG. 5 is a right side elevation view of the printer shown in FIG. 1;

FIG. 6 is a top plan view of the printer shown in FIG. 1; and,

FIG. 7 is a bottom plan view of the printer shown in FIG. 1.

**1 Claim, 6 Drawing Sheets**



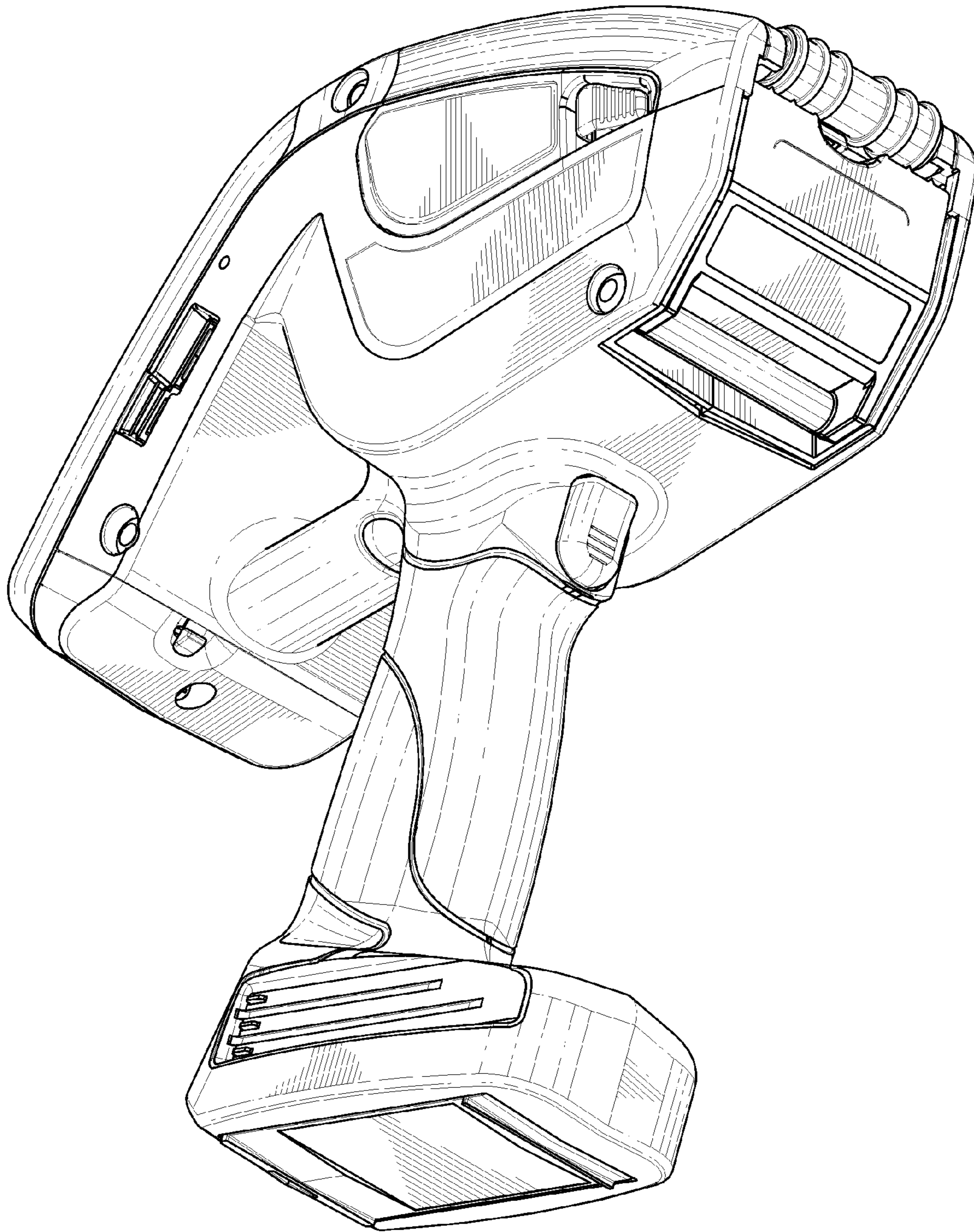


FIG. 1

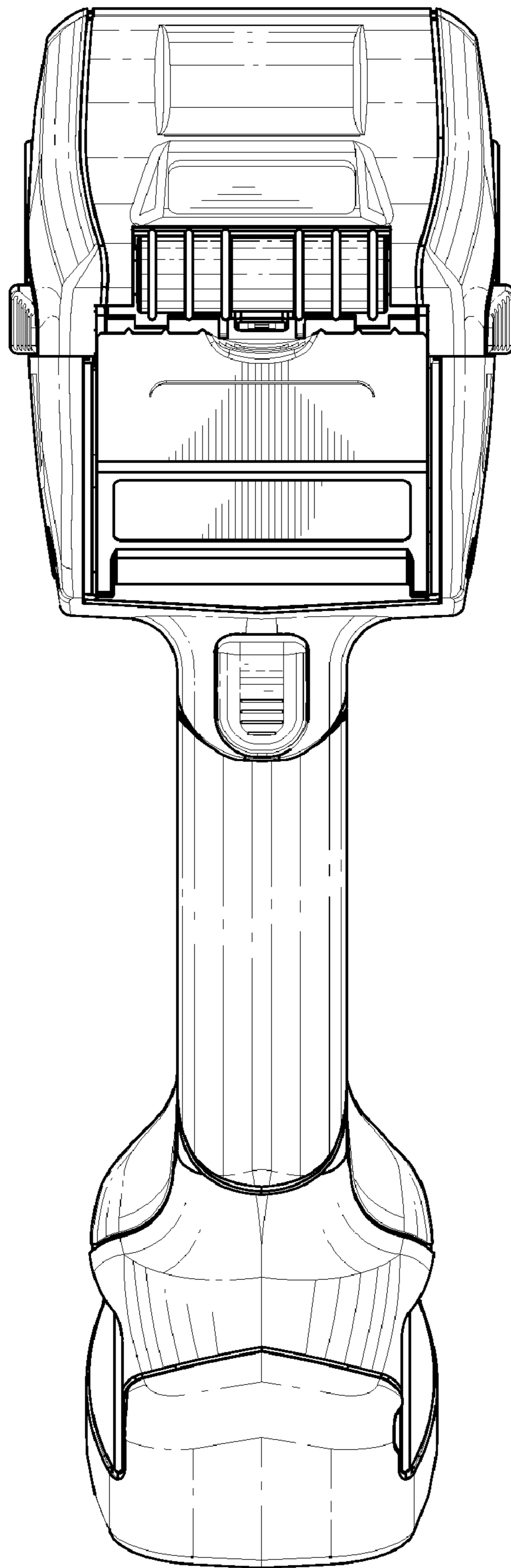


FIG. 2



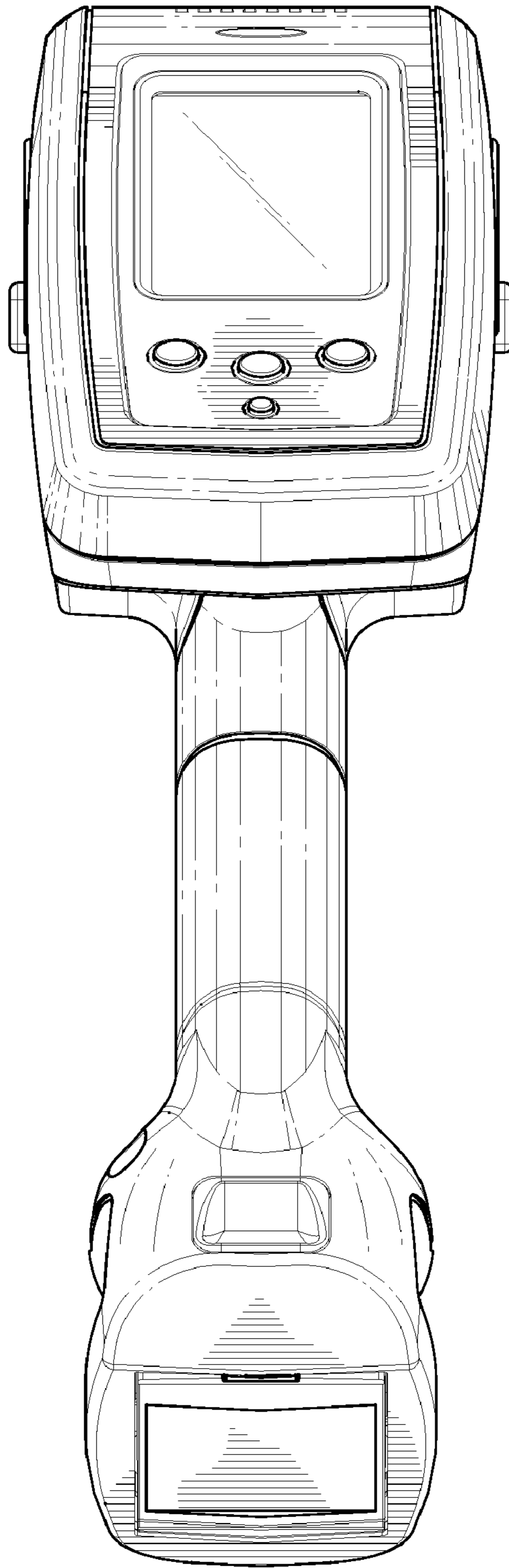


FIG. 3

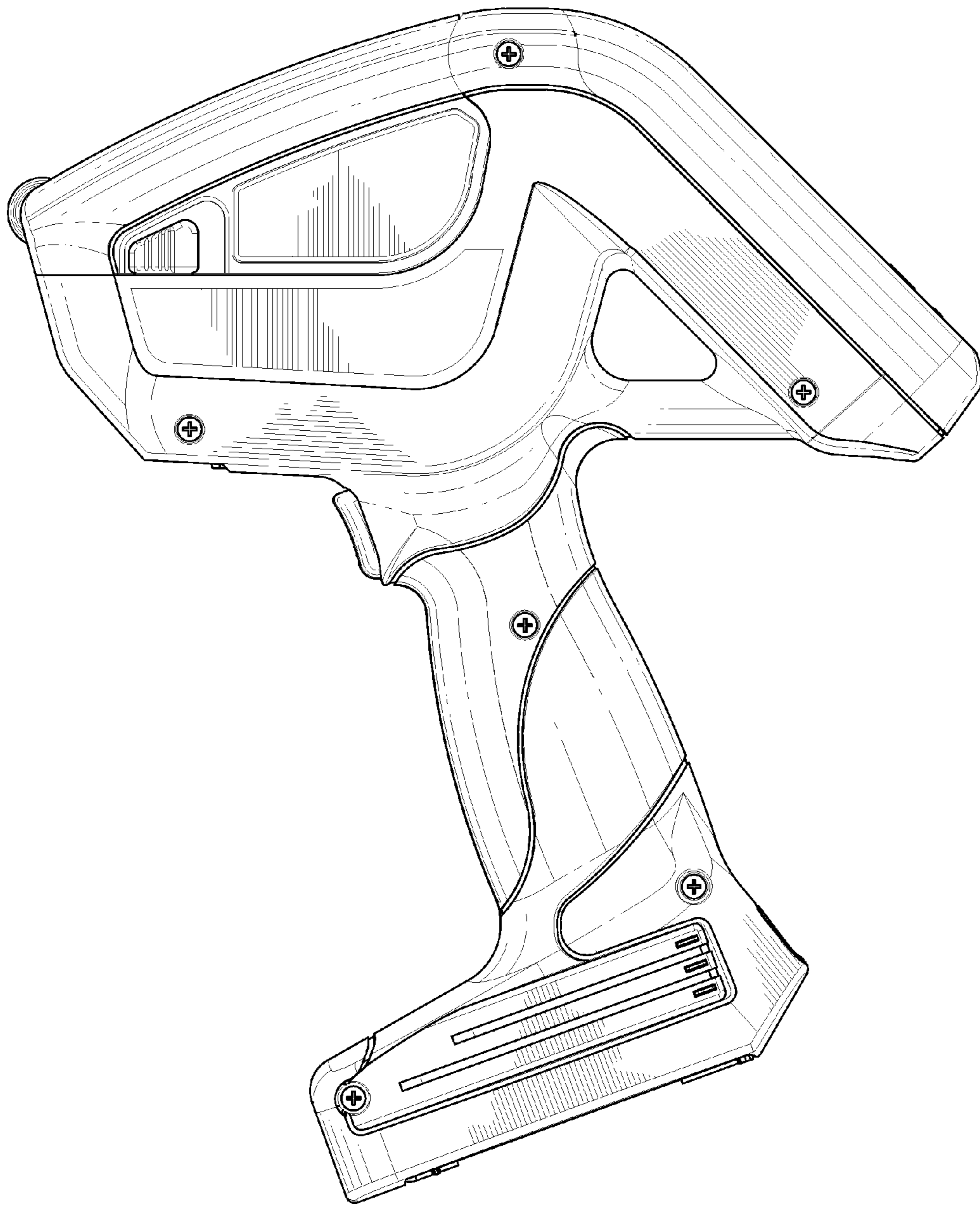


FIG.4

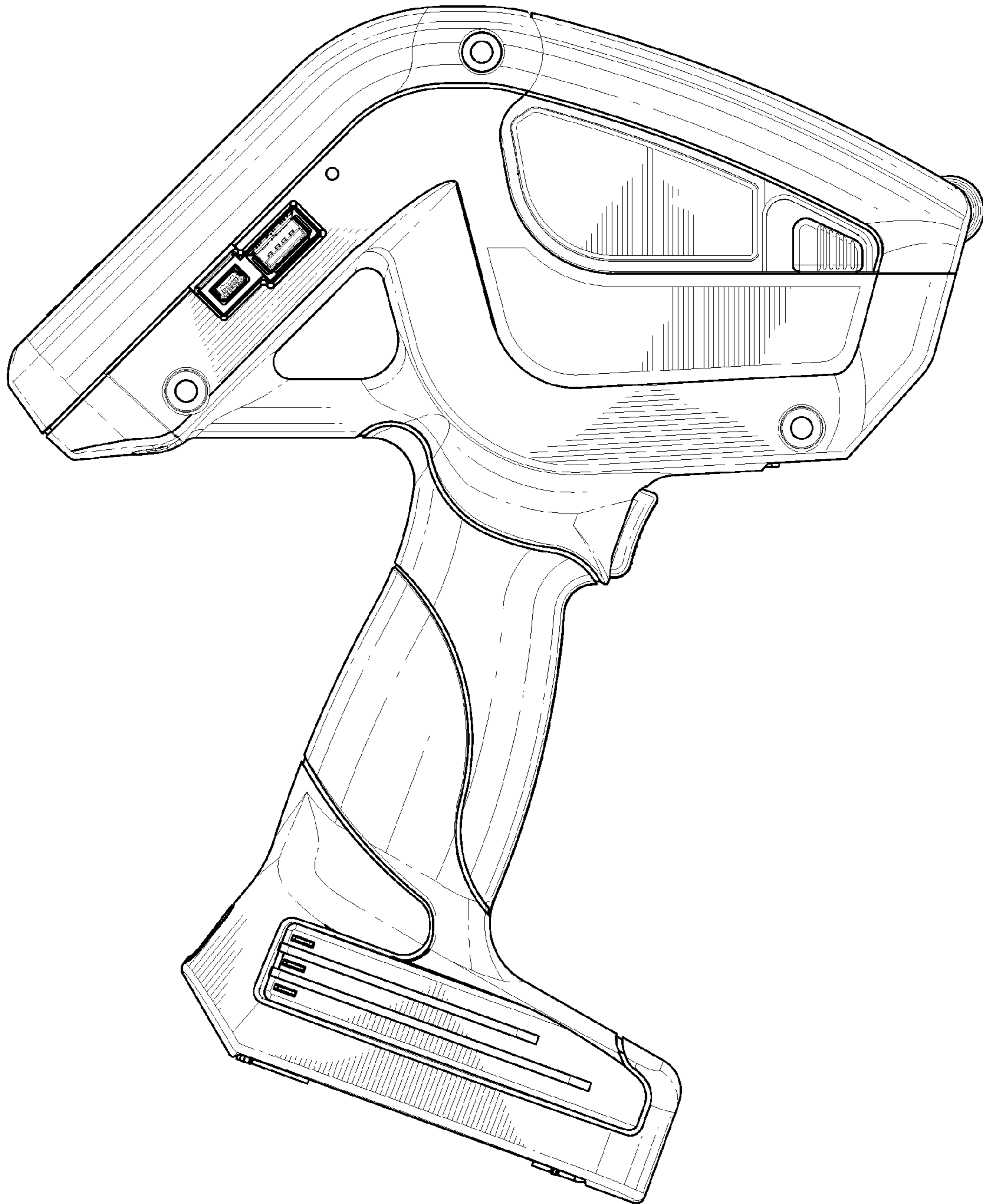


FIG. 5

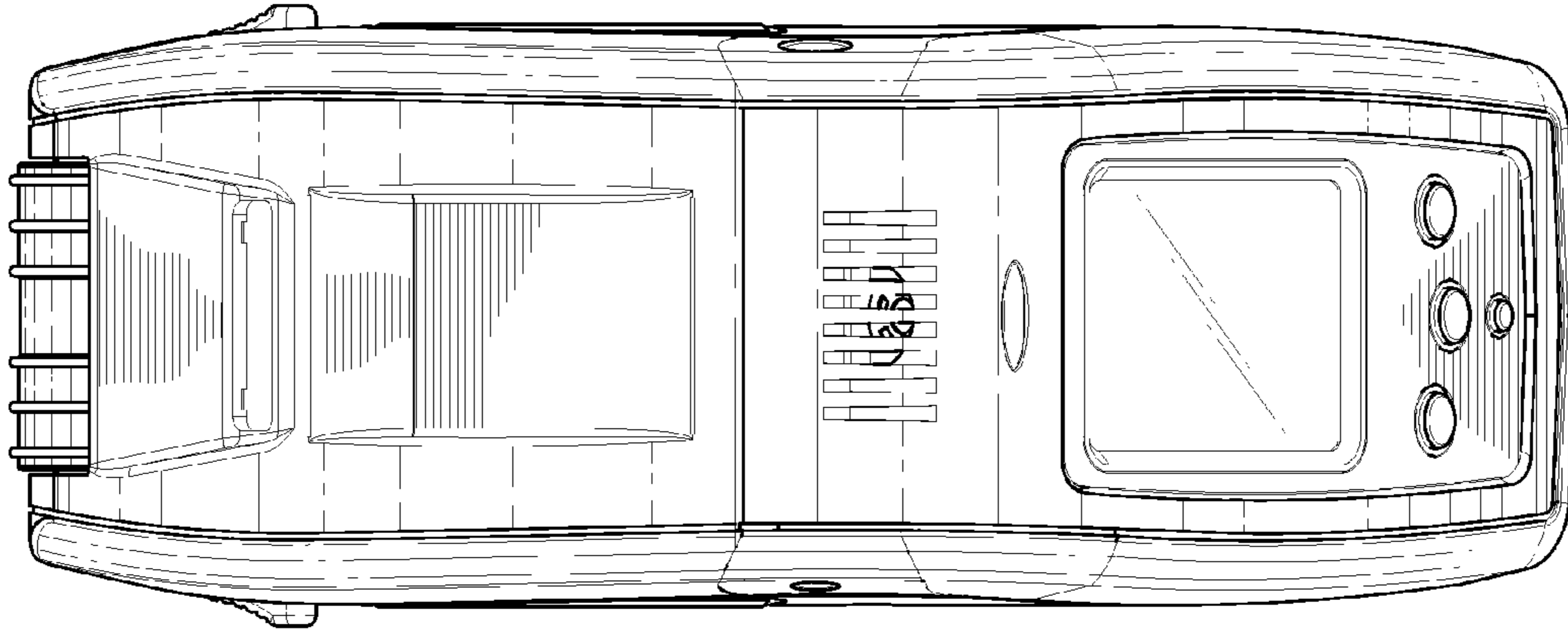


FIG. 6

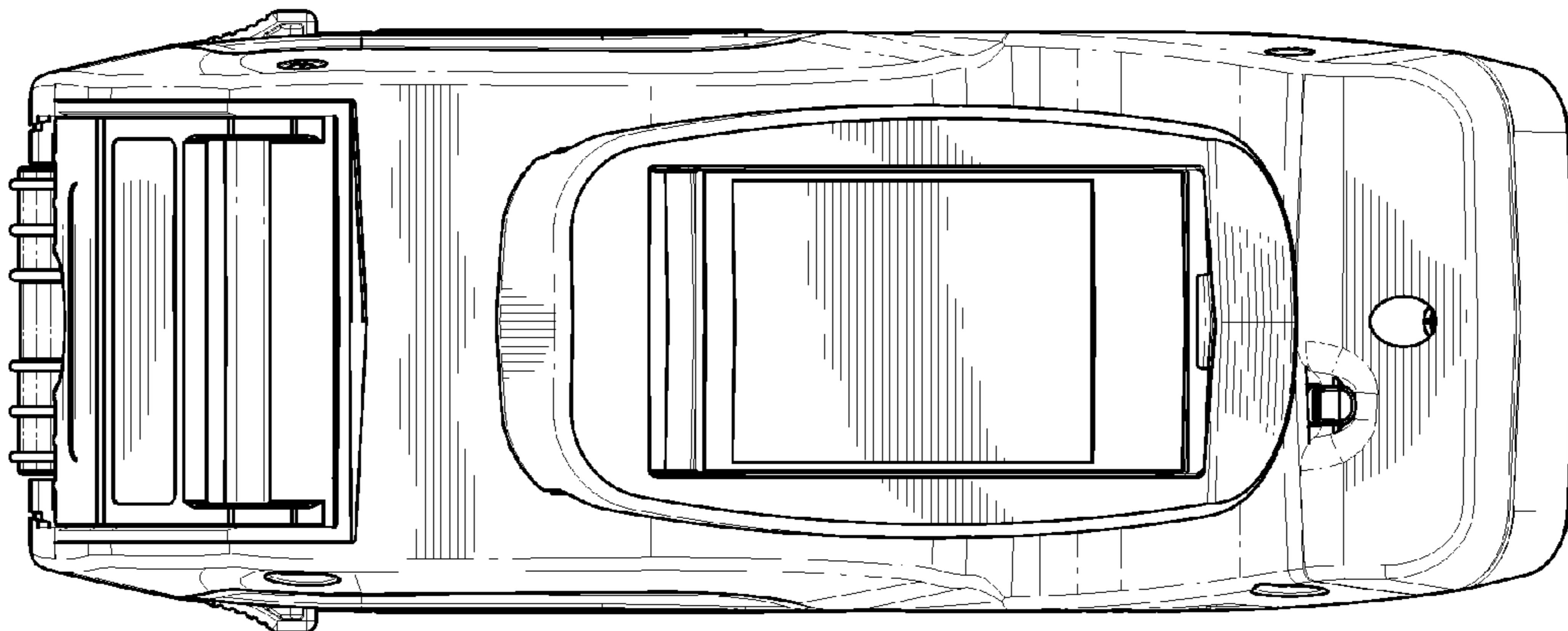


FIG. 7