



US00D631085S

(12) **United States Design Patent**
Hellberg

(10) **Patent No.:** **US D631,085 S**
(45) **Date of Patent:** **** Jan. 18, 2011**

(54) **ELASTOMERIC MULTI-TIP EYEGLASS
RETAINER CONNECTOR**

(76) Inventor: **Karl Hellberg**, 665 W. 100 South,
Logan, UT (US) 84321

(**) Term: **14 Years**

(21) Appl. No.: **29/368,085**

(22) Filed: **Aug. 18, 2010**

(51) **LOC (9) Cl.** **16-06**

(52) **U.S. Cl.** **D16/339**

(58) **Field of Classification Search** D16/101,
D16/300-342; D29/109-110; D24/110.2;
351/41, 44, 51-52, 62, 158, 92, 103-123,
351/140, 153, 45-46, 155-157; 2/426-432,
2/447-449, 441, 434-437, 13, 15; D21/483,
D21/659-661

See application file for complete search history.

(56) **References Cited**

U.S. PATENT DOCUMENTS

D403,346 S * 12/1998 Roberts D16/339
D420,039 S * 2/2000 Carey et al. D16/339
D477,835 S * 7/2003 Liu D16/339
6,644,808 B1 * 11/2003 Liu 351/156

D487,015 S * 2/2004 Kalbach D16/339
6,764,177 B1 * 7/2004 Chisolm 351/157
D536,364 S * 2/2007 Kalbach D16/339
D567,279 S * 4/2008 Chisolm et al. D16/339
7,467,867 B1 * 12/2008 Williams 351/156
D607,919 S * 1/2010 Williams D16/339

* cited by examiner

Primary Examiner—Raphael Barkai

(74) *Attorney, Agent, or Firm*—J. Todd Rushton

(57) **CLAIM**

The ornamental design for an elastomeric multi-tip eyeglass retainer connector, as shown and described.

DESCRIPTION

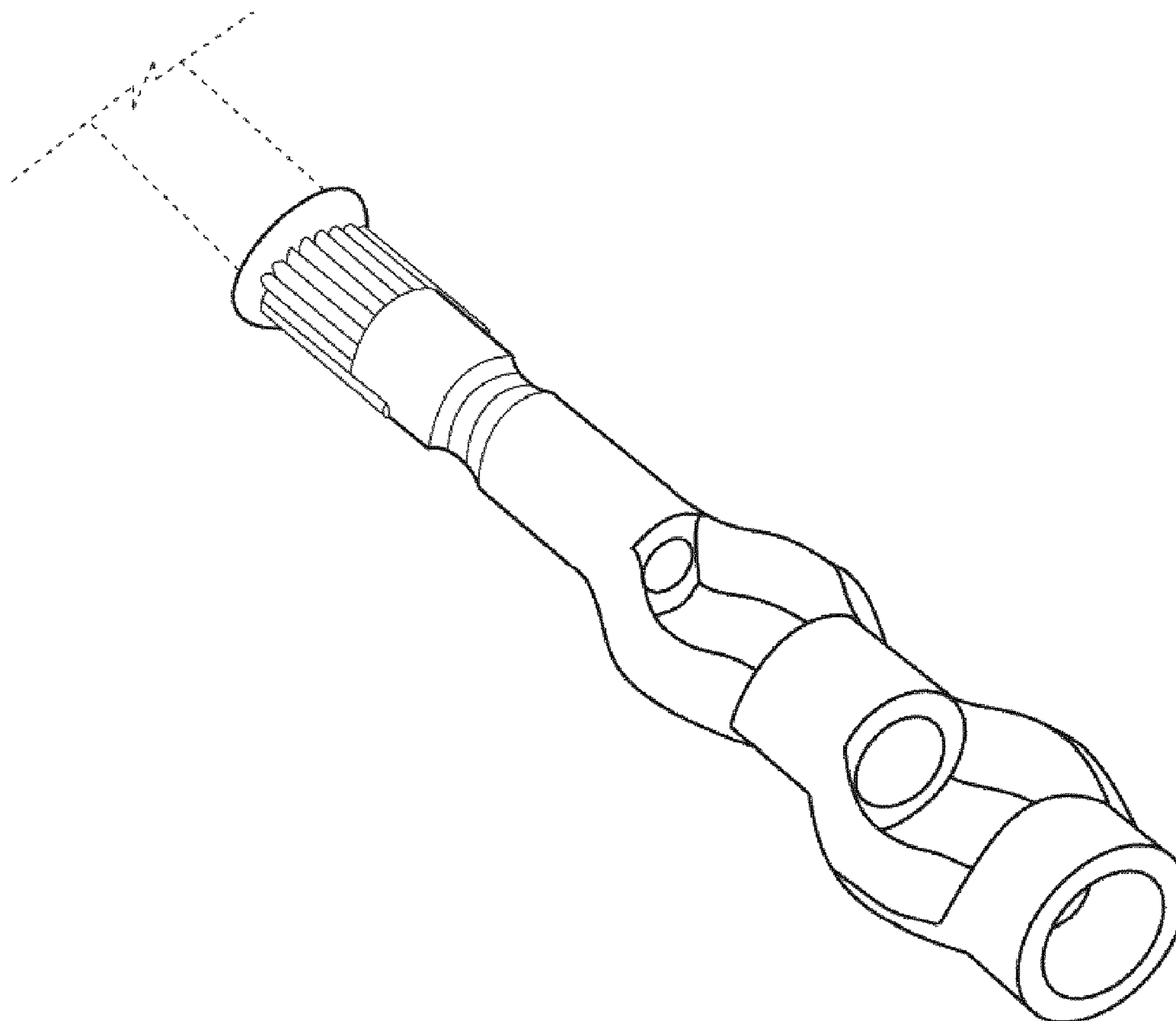
FIG. 1 is a perspective view of an elastomeric multi-tip eyeglass retainer connector;

FIG. 2 is a top view of an elastomeric multi-tip eyeglass retainer connector; and,

FIG. 3 is a side view of an elastomeric multi-tip eyeglass retainer connector.

The broken lines shown in FIGS. 1-3 are for illustrative purposes only and form no part of the claimed design.

1 Claim, 3 Drawing Sheets



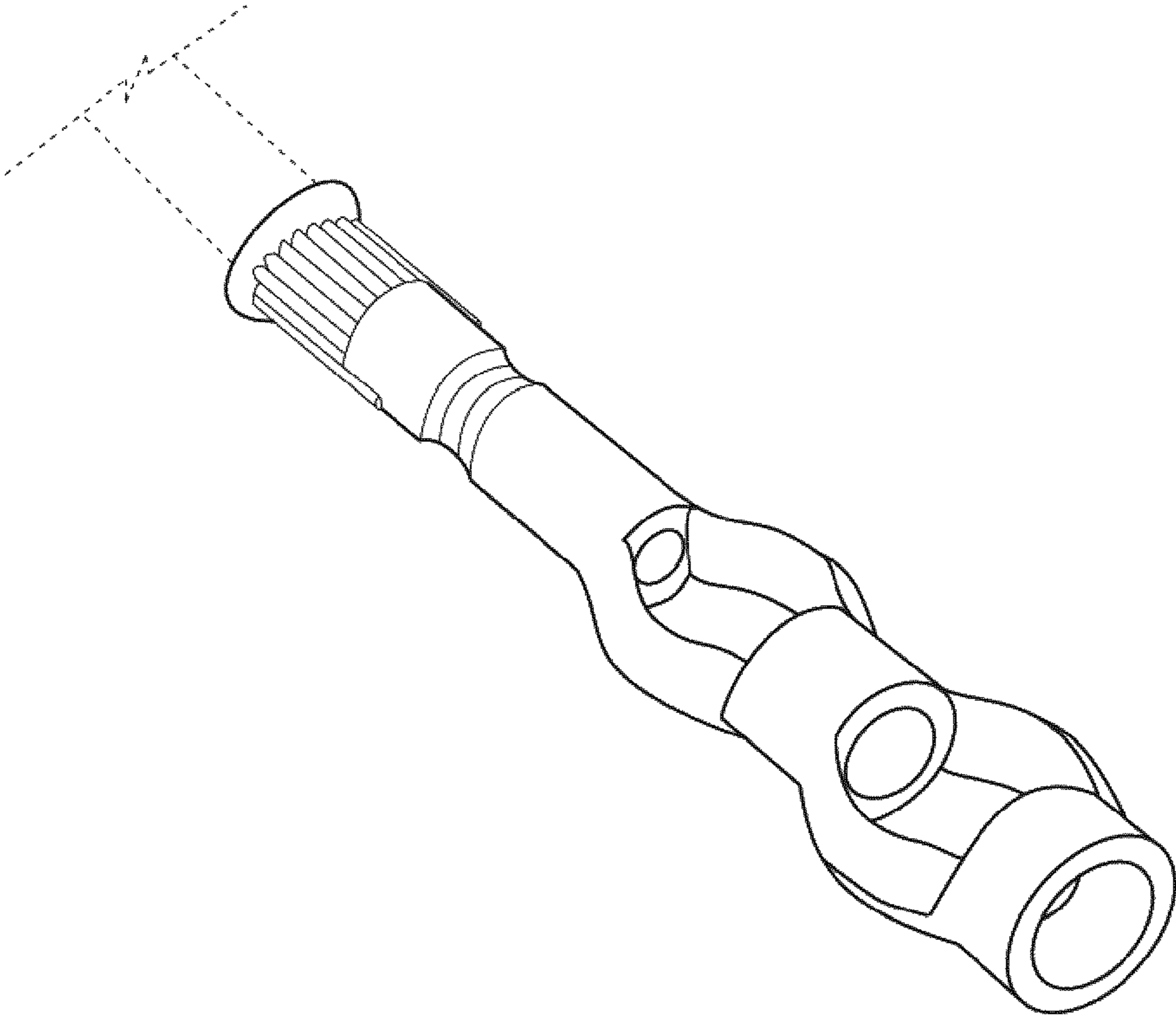


FIG. 1

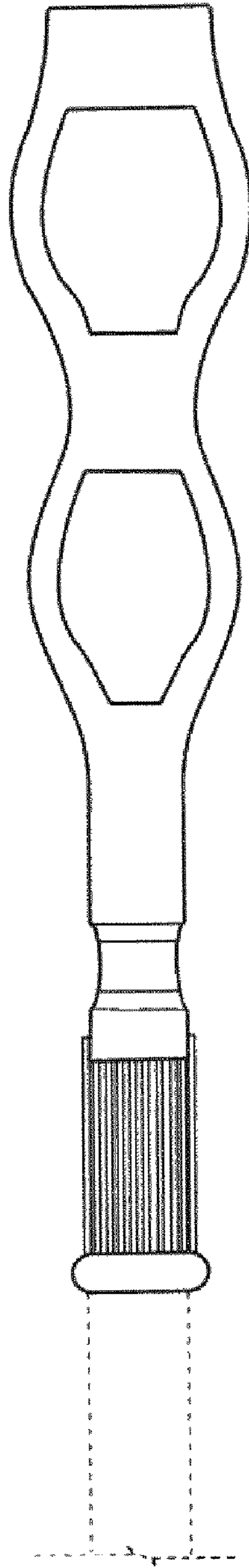


FIG. 2

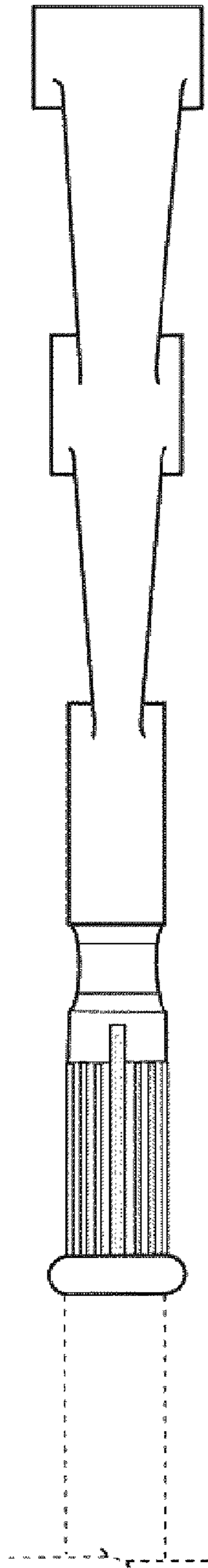


FIG. 3