



US00D631084S

(12) **United States Design Patent**
Phillips

(10) **Patent No.:** **US D631,084 S**
(45) **Date of Patent:** **** Jan. 18, 2011**

(54) **EYEGLASSES**

D582,965 S 12/2008 Fuchs
D597,123 S 7/2009 Strecker
D602,975 S * 10/2009 Fuchs D16/315

(75) Inventor: **Sonia Phillips**, Altenberg (AT)

* cited by examiner

(73) Assignee: **Silhouette International Schmied AG**
(AT)

Primary Examiner—Raphael Barkai

(**) Term: **14 Years**

(74) *Attorney, Agent, or Firm*—Alston & Bird LLP

(21) Appl. No.: **29/365,374**

(57) **CLAIM**

(22) Filed: **Jul. 8, 2010**

The ornamental design for eyeglasses, as shown and described.

(30) **Foreign Application Priority Data**

DESCRIPTION

Mar. 25, 2010 (EM) 001686619

FIG. 1 is a perspective view of eyeglasses showing my new design;

(51) **LOC (9) Cl.** **16-06**

FIG. 2 is a front elevation view thereof;

(52) **U.S. Cl.** **D16/335**; D16/315; D16/334

FIG. 3 is a rear elevation view thereof;

(58) **Field of Classification Search** D16/101,
D16/300–342; D29/109–110; D24/110.2;
351/41, 44, 51–52, 62, 158, 92, 103–123,
351/140, 153, 45–46; 2/426–432, 447–449,
2/441, 434–437, 13, 15; D21/483, 659–661

FIG. 4 is a top plan view thereof;

FIG. 5 is a bottom plan view thereof;

See application file for complete search history.

FIG. 6 is a left side elevation view thereof, the right side elevation view being a mirror image; and,

FIG. 7 is side elevation cross-section view thereof taken along line 7—7 in FIG. 4.

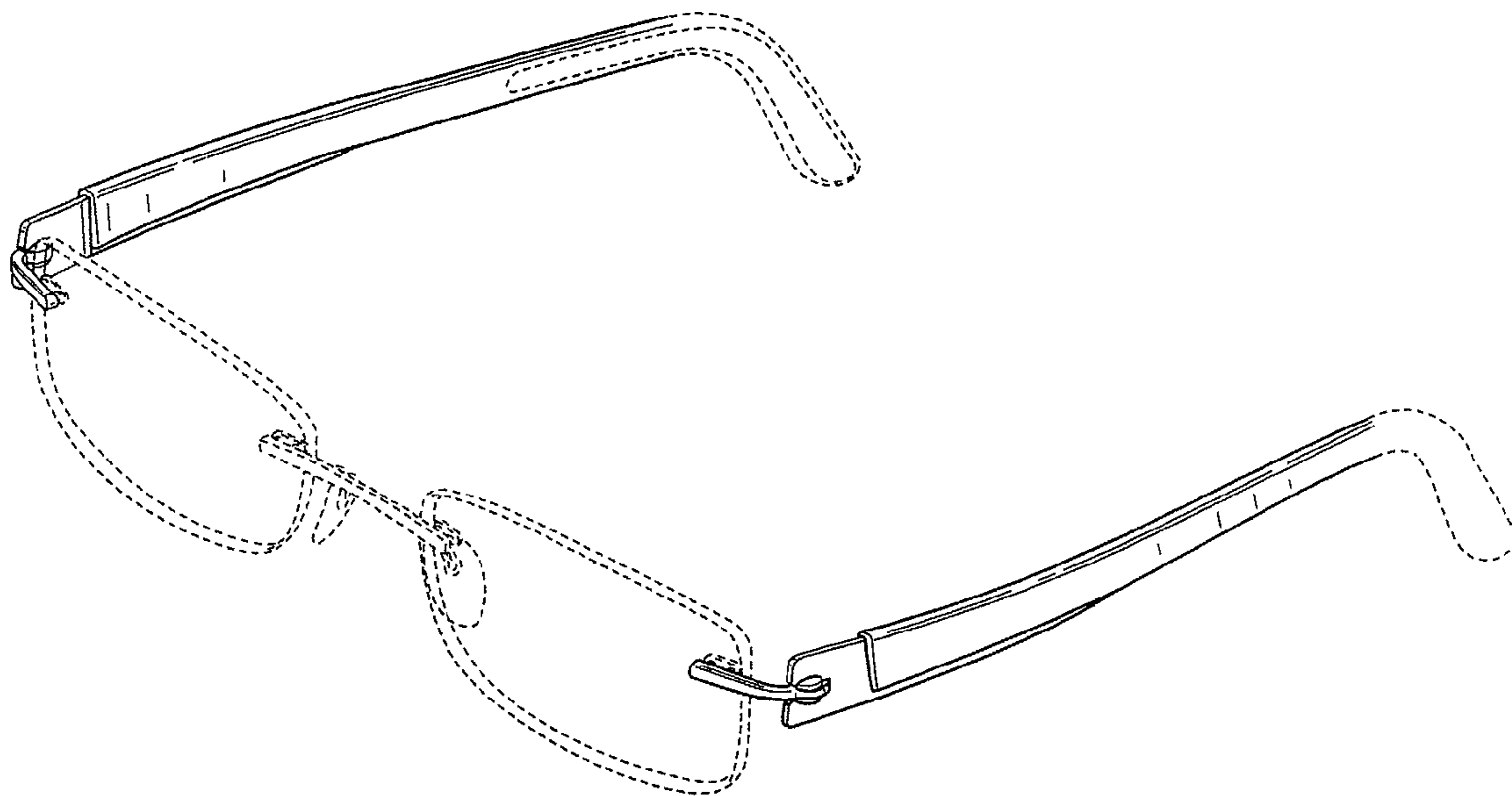
(56) **References Cited**

U.S. PATENT DOCUMENTS

6,655,800 B2 * 12/2003 Takeda et al. 351/110
6,729,725 B1 * 5/2004 Cheng 351/110
D533,579 S * 12/2006 Raile D16/316
D556,819 S * 12/2007 Fuchs D16/328
D567,839 S * 4/2008 Fuchs D16/315
D581,448 S 11/2008 Fuchs

The broken lines immediately adjacent shaded areas represent bounds of the claimed design and environment while all other broken lines are directed to environment and are for illustrative purposes only. The broken lines form no part of the claimed design.

1 Claim, 5 Drawing Sheets



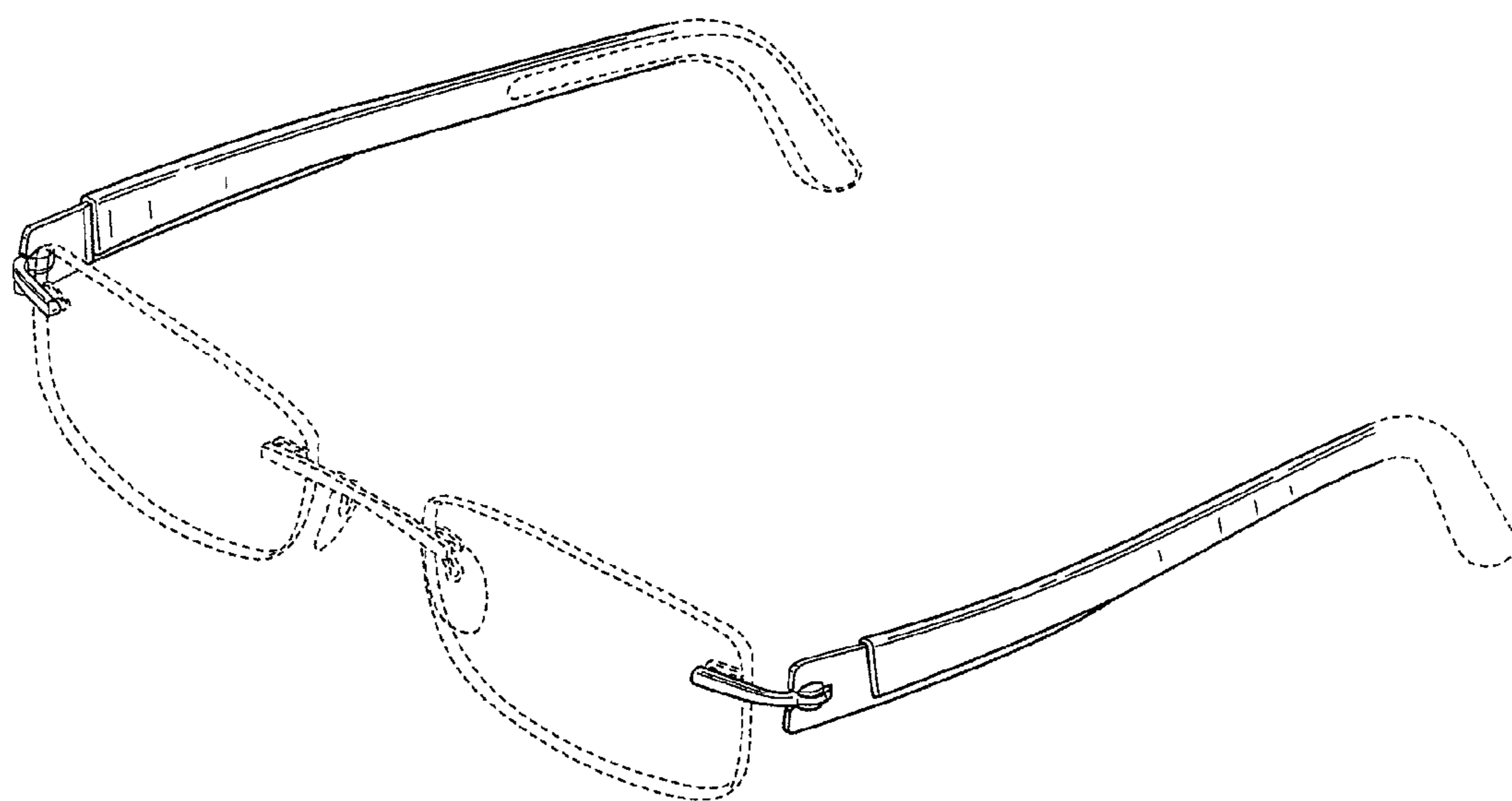


FIG. 1

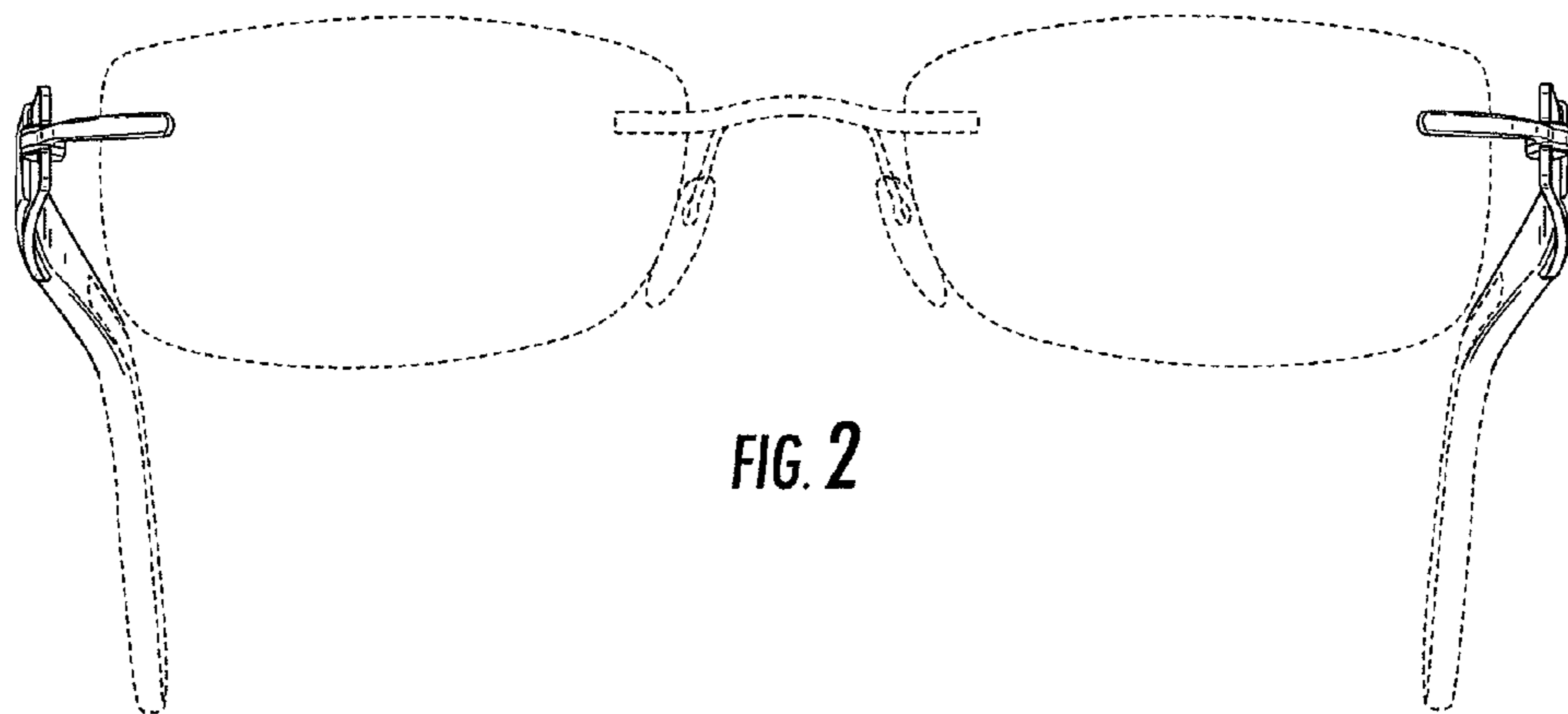


FIG. 2

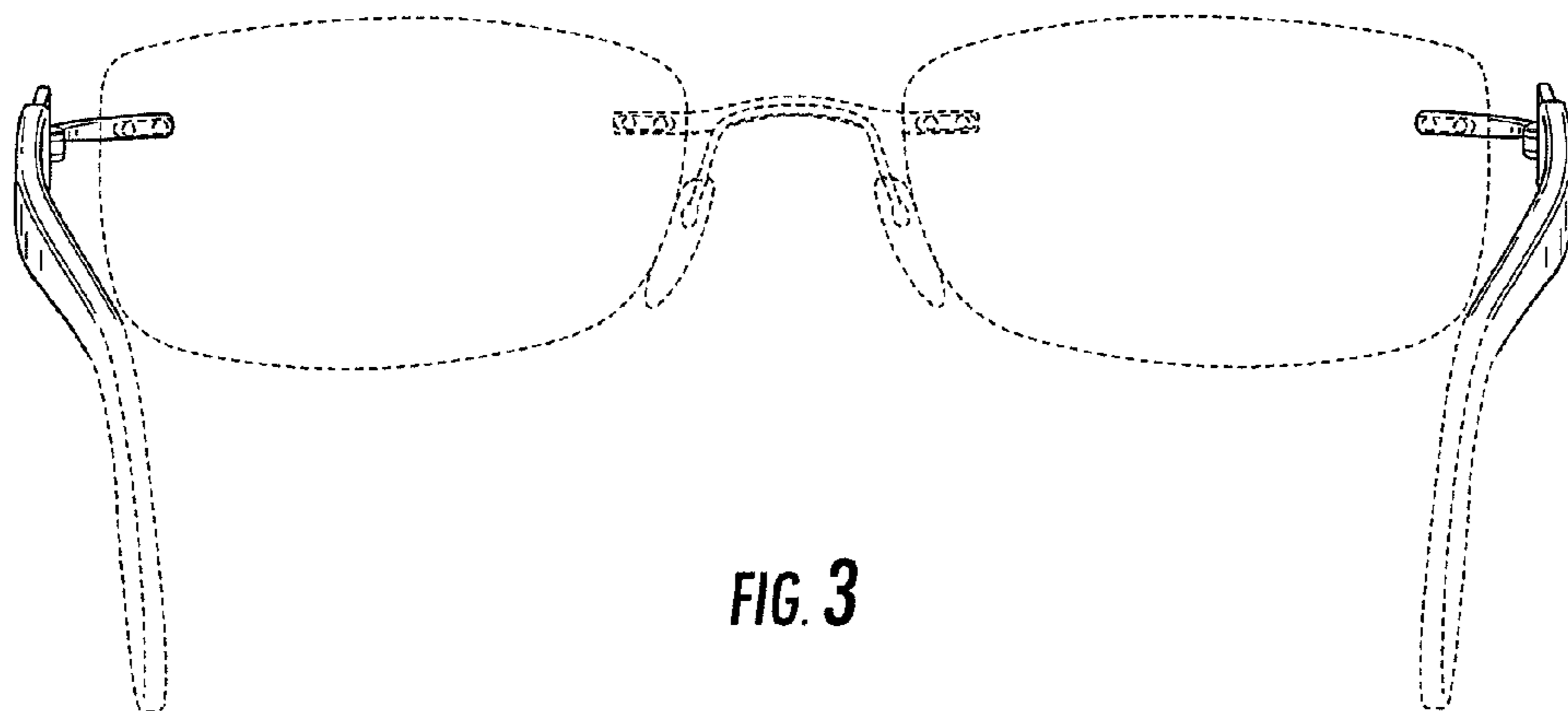


FIG. 3



FIG. 4

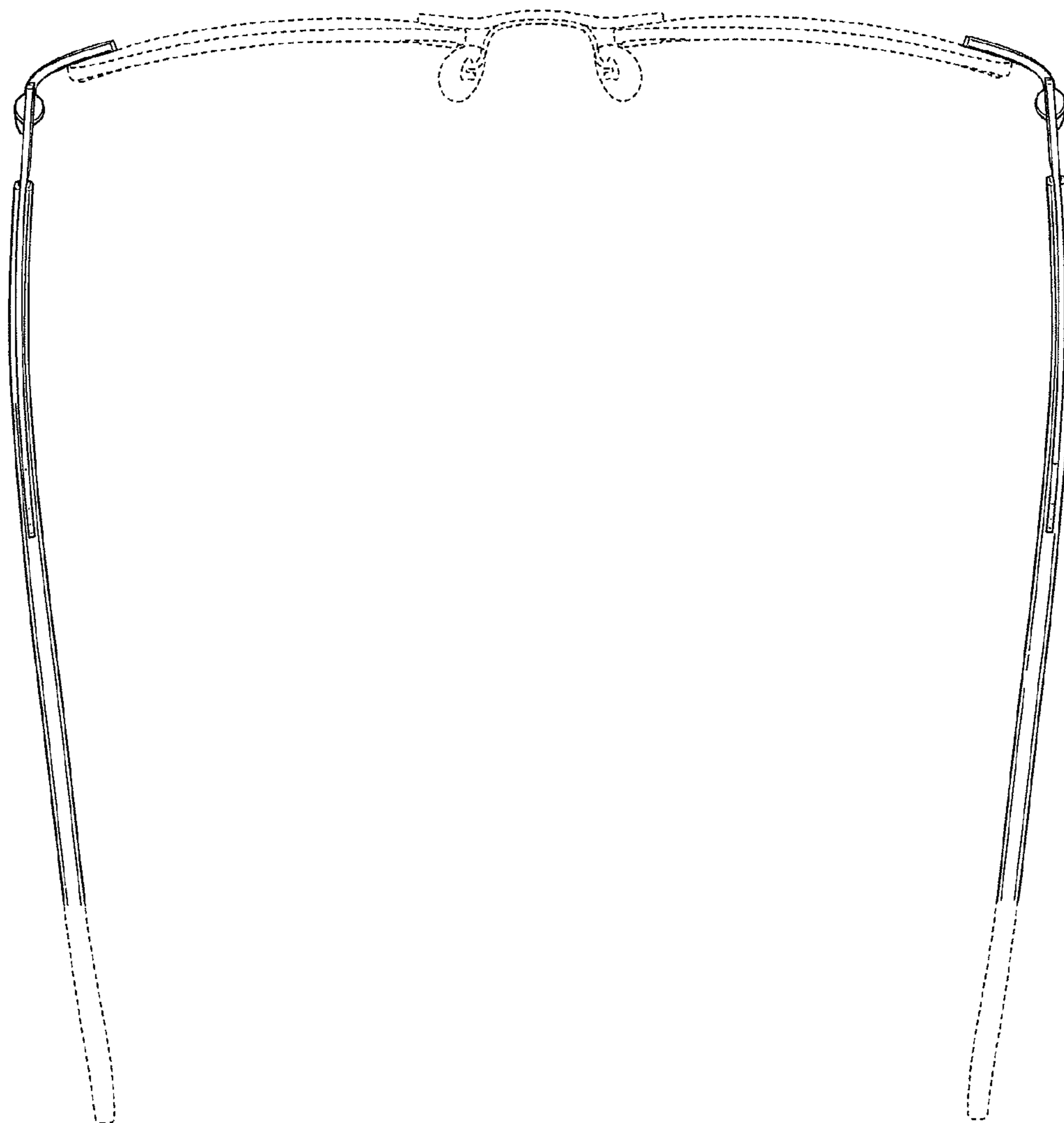


FIG. 5

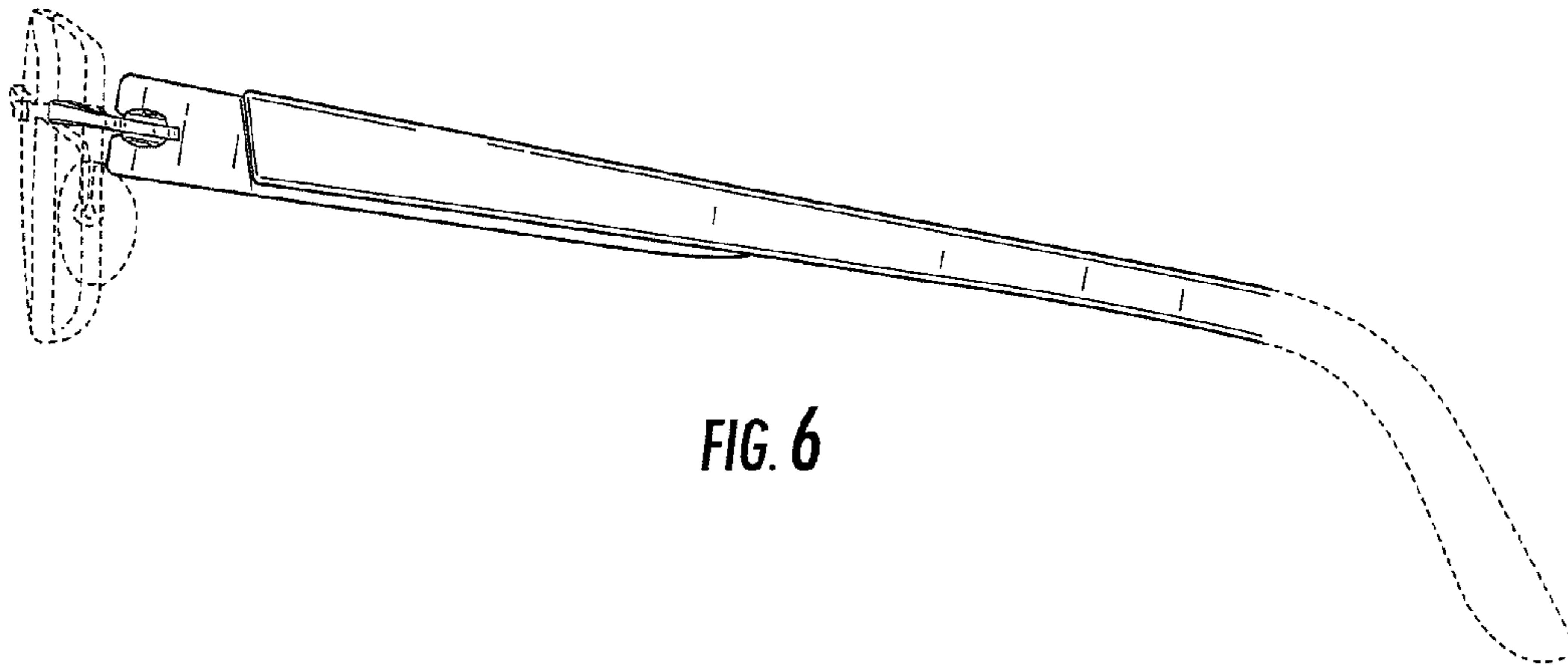


FIG. 6

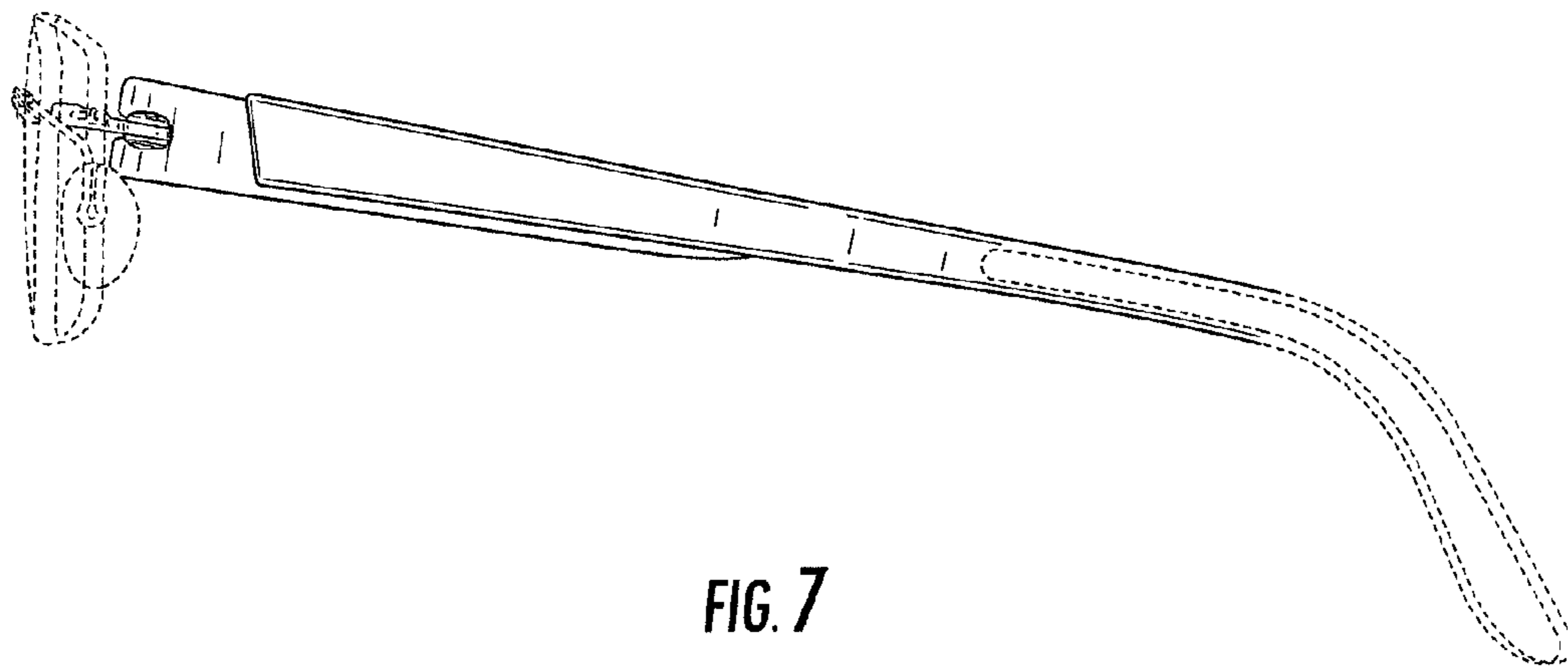


FIG. 7