



US00D631080S

(12) **United States Design Patent**  
**Han**

(10) **Patent No.:** **US D631,080 S**  
(45) **Date of Patent:** **\*\* Jan. 18, 2011**

(54) **PROJECTOR**

(75) Inventor: **Kyu-Mi Han**, Seoul (KR)

(73) Assignee: **Samsung Electronics Co., Ltd.**,  
Kyunggi-do (KR)

(\*\*) Term: **14 Years**

(21) Appl. No.: **29/316,949**

(22) Filed: **Nov. 12, 2009**

(51) **LOC (9) Cl.** ..... **16-02**

(52) **U.S. Cl.** ..... **D16/225; D16/230**

(58) **Field of Classification Search** ..... D16/205,  
D16/208, 221, 225, 230-231, 234; D21/514;  
353/115, 119, 122

See application file for complete search history.

(56) **References Cited**

**U.S. PATENT DOCUMENTS**

|              |         |                 |         |
|--------------|---------|-----------------|---------|
| D397,709 S   | 9/1998  | Park et al.     |         |
| D401,953 S   | 12/1998 | Oh et al.       |         |
| D401,954 S   | 12/1998 | Oh et al.       |         |
| D442,983 S * | 5/2001  | Goto et al.     | D16/230 |
| D474,799 S * | 5/2003  | Kawasaki et al. | D16/230 |
| D479,261 S * | 9/2003  | Kawasaki et al. | D16/230 |
| D494,995 S   | 8/2004  | Kim et al.      |         |
| D516,603 S * | 3/2006  | Yeh et al.      | D16/230 |
| D531,654 S * | 11/2006 | Lin et al.      | D16/230 |
| D545,339 S * | 6/2007  | Naruki          | D16/230 |
| D545,861 S * | 7/2007  | Naruki          | D16/230 |
| D546,864 S   | 7/2007  | Kim             |         |
| D552,656 S * | 10/2007 | Oota et al.     | D16/230 |
| D557,316 S   | 12/2007 | Bang et al.     |         |
| D577,051 S * | 9/2008  | Yamamizu        | D16/230 |

|              |         |                |         |
|--------------|---------|----------------|---------|
| D581,963 S   | 12/2008 | Kang et al.    |         |
| D584,327 S   | 1/2009  | Kang et al.    |         |
| D600,735 S * | 9/2009  | Chigira et al. | D16/225 |
| D602,513 S   | 10/2009 | Kim et al.     |         |
| D614,684 S * | 4/2010  | Inoue et al.   | D16/230 |

**OTHER PUBLICATIONS**

U.S. Appl. No. 29/314,208, Applicant: Jae-Seung Song et al., filed Mar. 13, 2009 entitled Projector.

\* cited by examiner

*Primary Examiner*—Stella M Reid

*Assistant Examiner*—Wan Laymon

(74) *Attorney, Agent, or Firm*—Flynn, Thiel, Boutell & Tanis, P.C.

(57) **CLAIM**

The ornamental design for a projector, as shown and described.

**DESCRIPTION**

FIG. 1 is an enlarged top front perspective view of a projector showing my new design;

FIG. 2 is an enlarged front elevational view thereof;

FIG. 3 is an enlarged rear elevational view thereof;

FIG. 4 is an enlarged left side elevational view thereof;

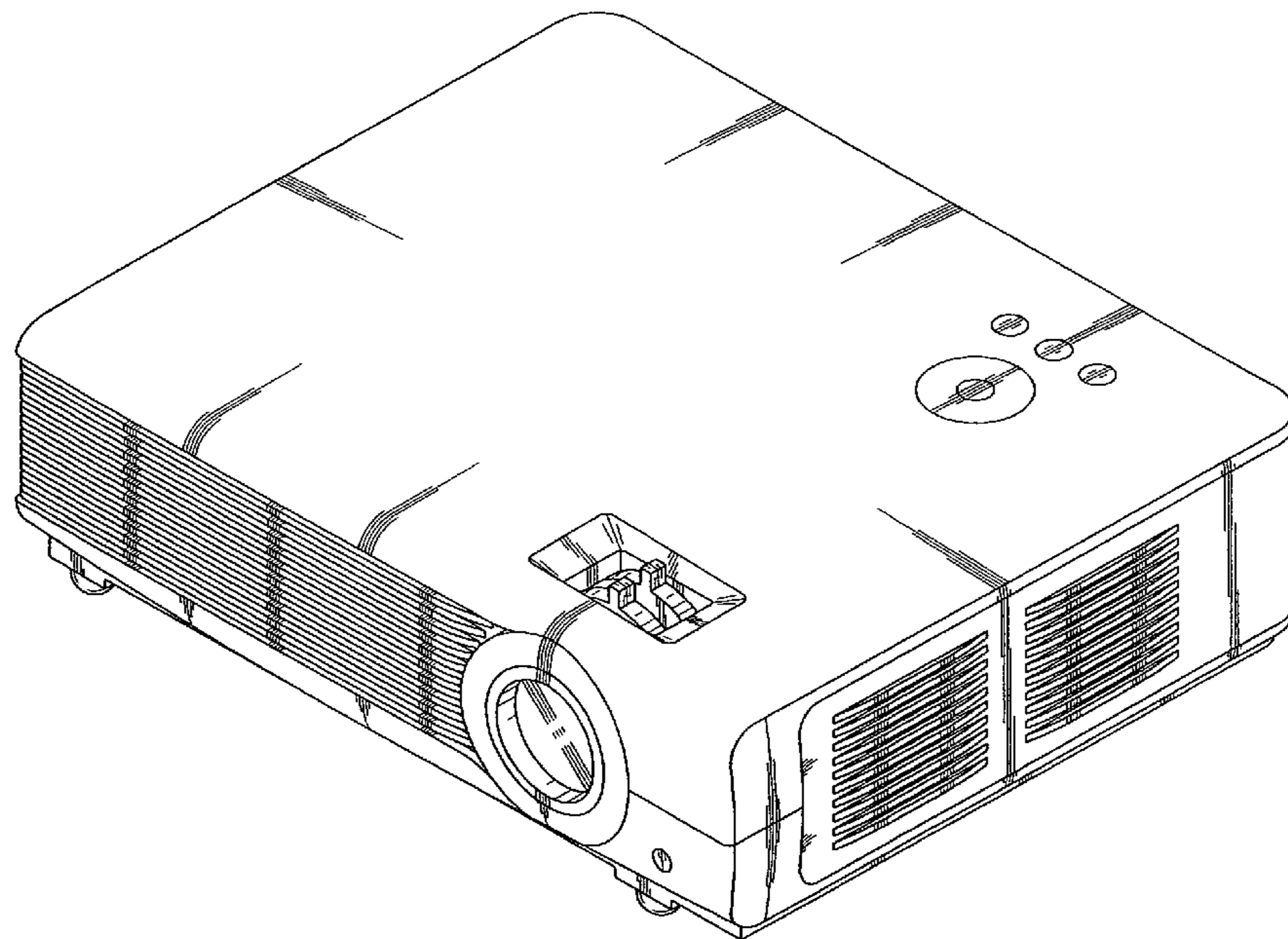
FIG. 5 is an enlarged right side elevational view thereof;

FIG. 6 is an enlarged top plan view thereof; and,

FIG. 7 is an enlarged bottom plan view thereof.

The broken lines in FIG. 3 are included for the purpose of illustrating a portion of the projector that form no part of the claimed design.

**1 Claim, 5 Drawing Sheets**



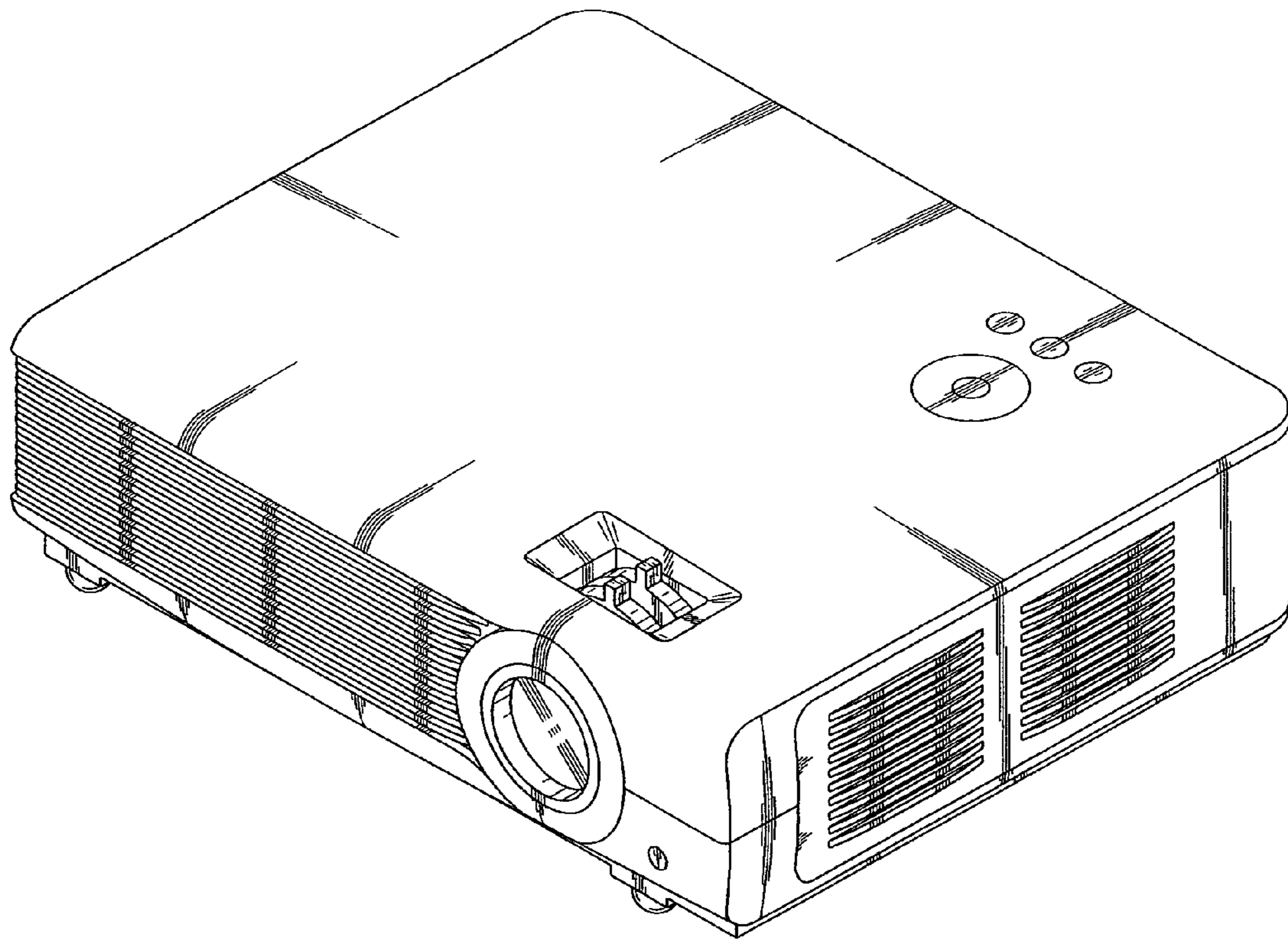


FIG. 1

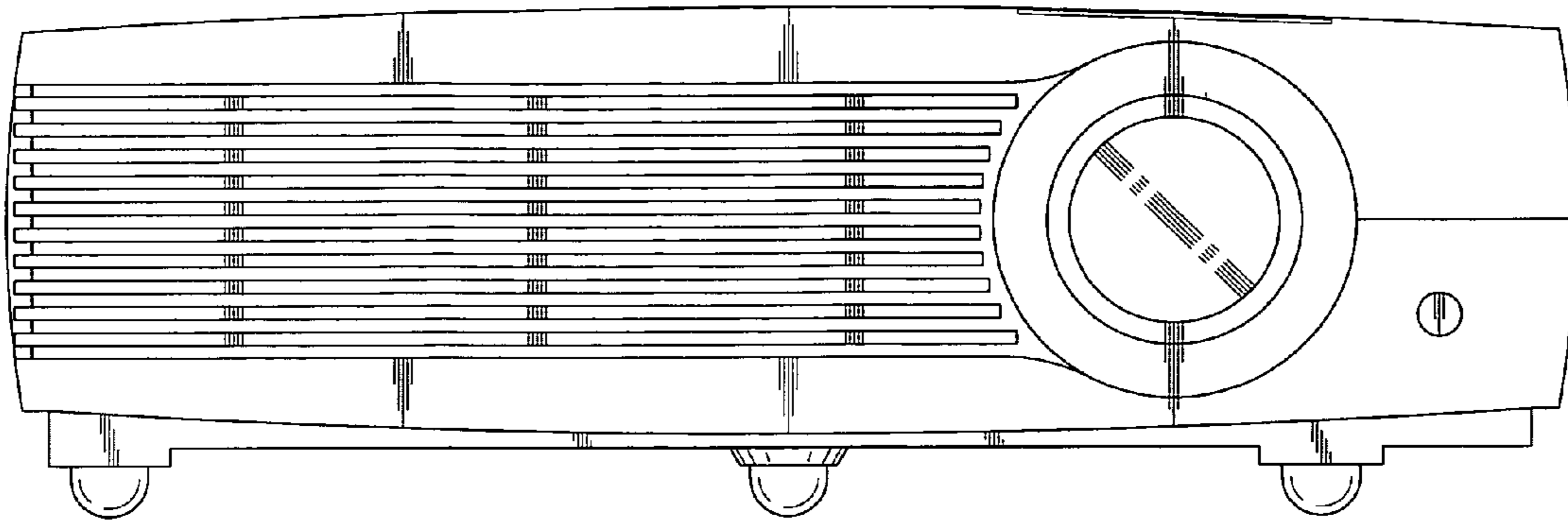


FIG. 2

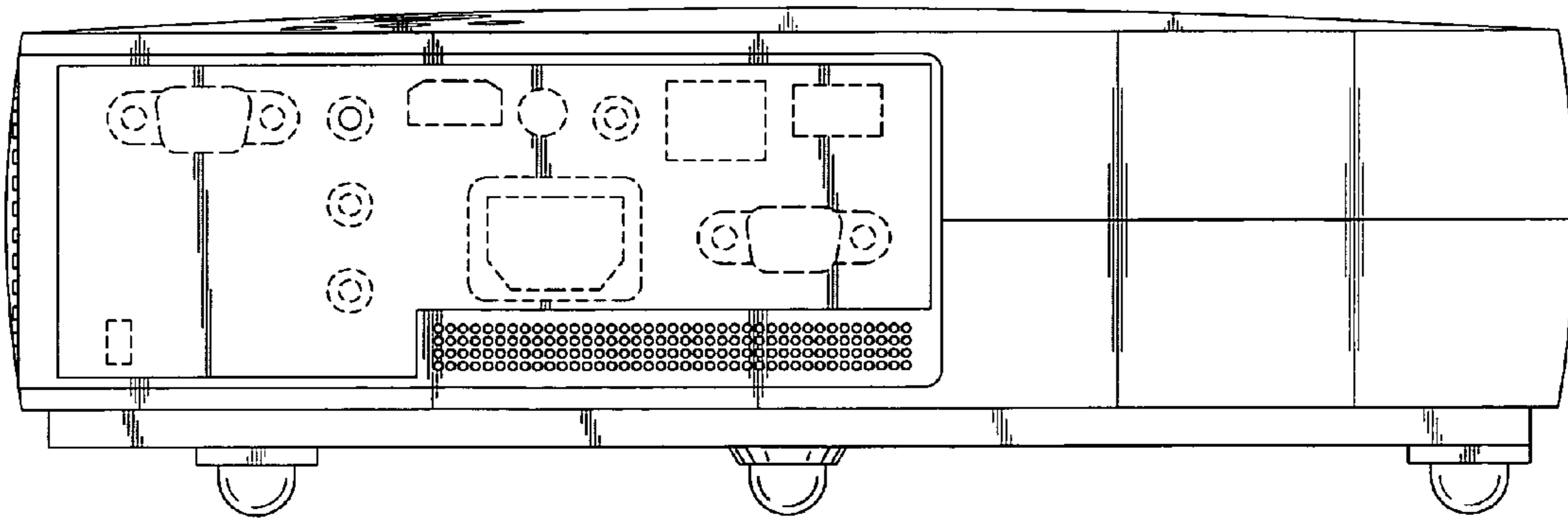


FIG. 3

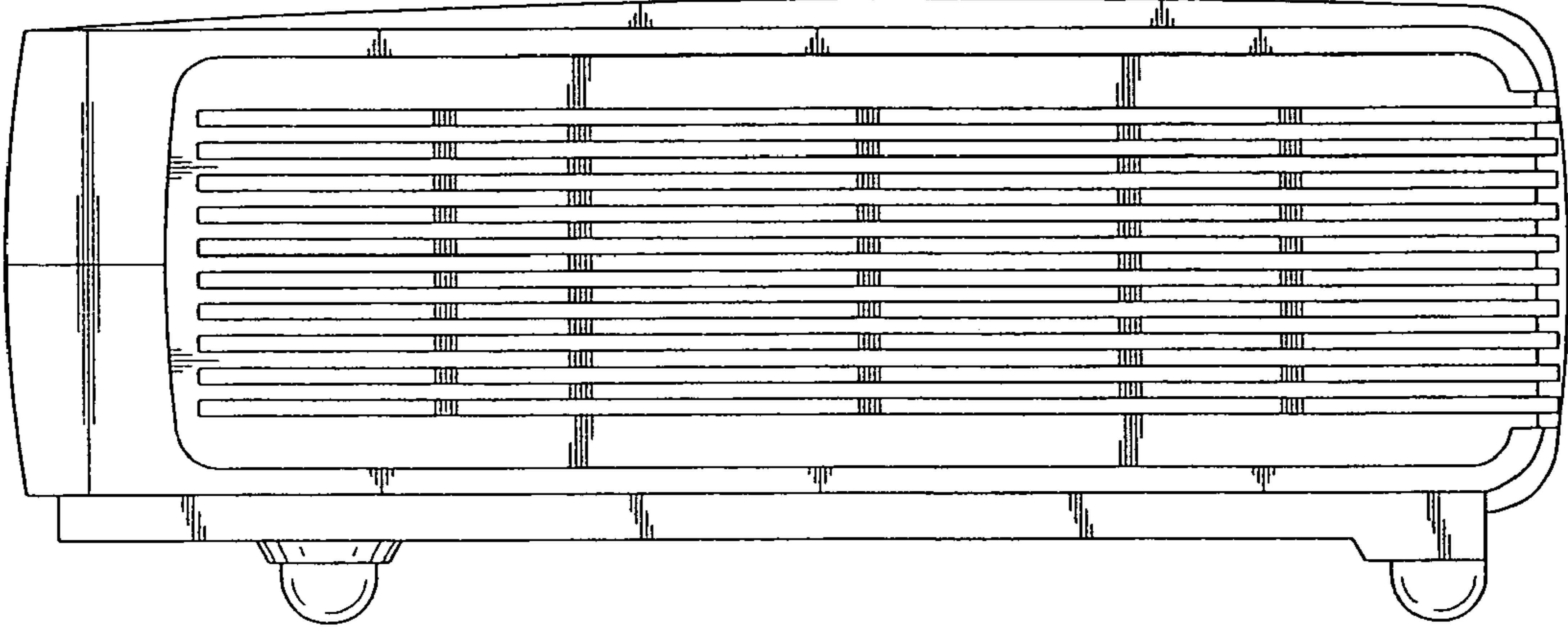


FIG. 4

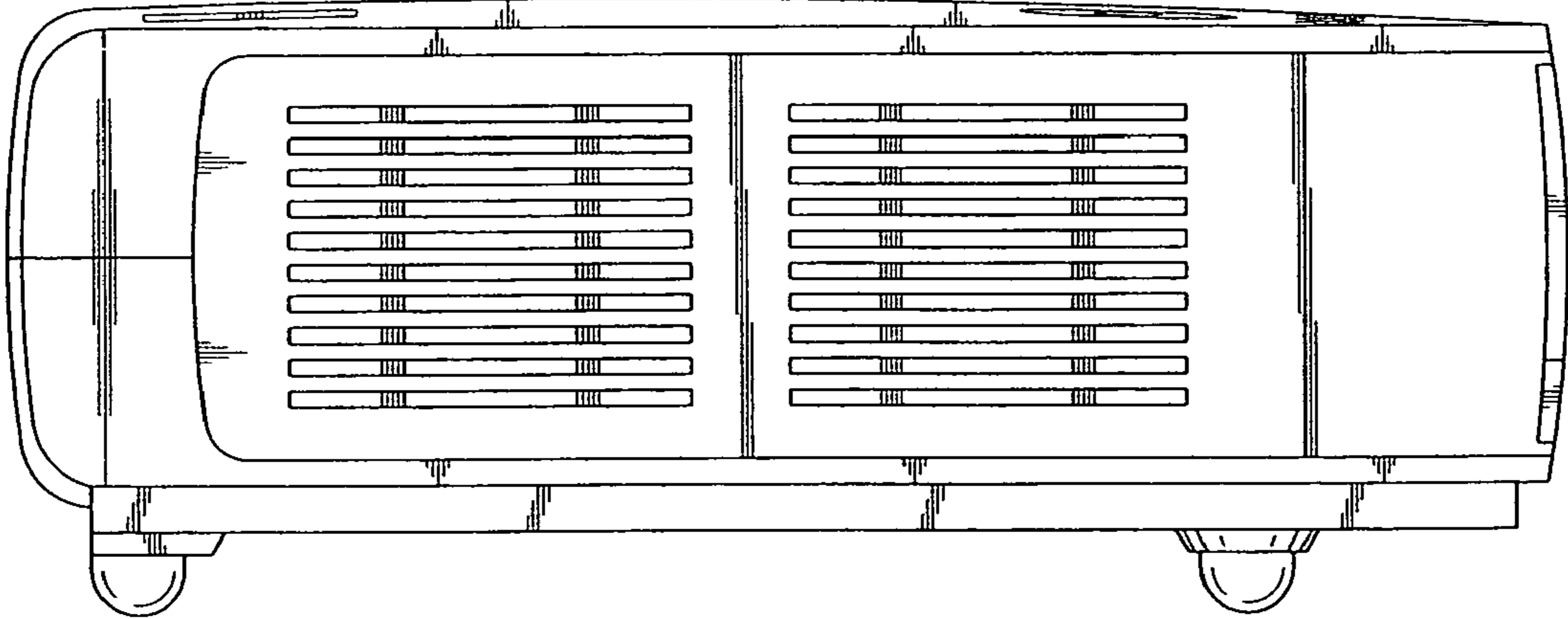


FIG. 5



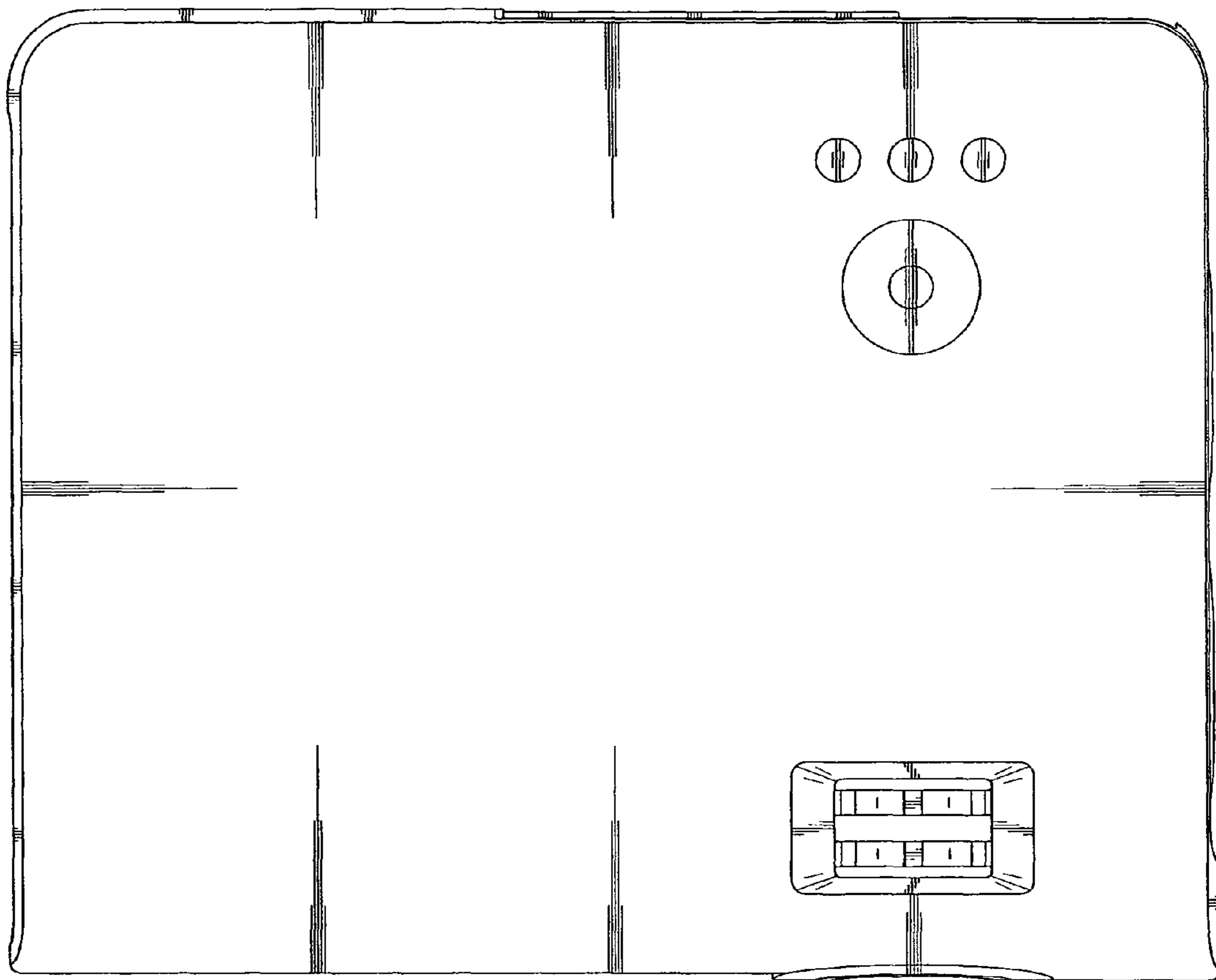


FIG. 6

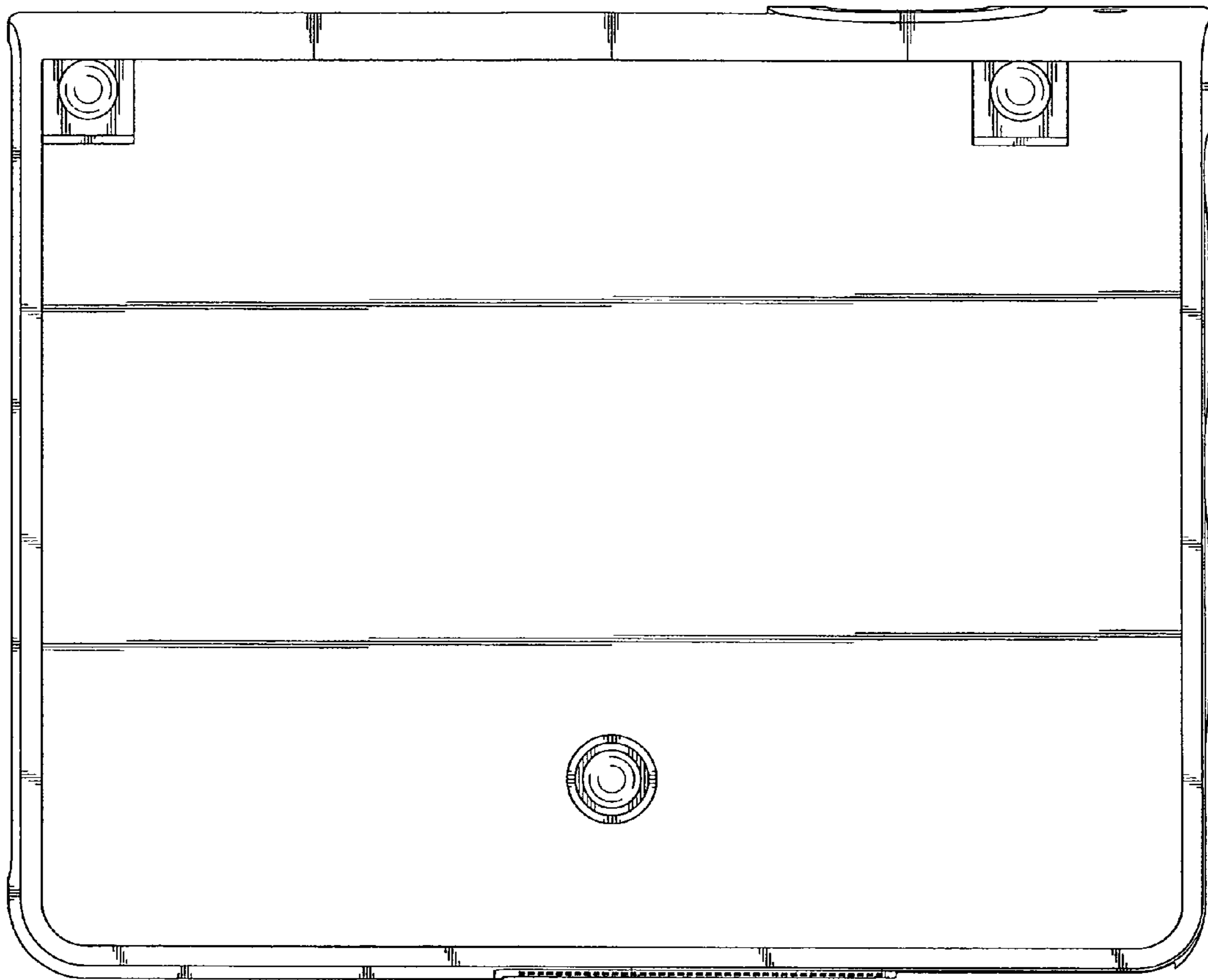


FIG. 7