

US00D631079S

(12) **United States Design Patent**
Tzeng

(10) **Patent No.:** **US D631,079 S**
(45) **Date of Patent:** **** Jan. 18, 2011**

(54) **WEBCAM**

(75) Inventor: **Guan-Hua Tzeng**, Tu-Cheng (TW)

(73) Assignee: **Cheng UEI Precision Industry Co., Ltd.**, Tu-Cheng, Taipei Hsien (TW)

(**) Term: **14 Years**

(21) Appl. No.: **29/359,603**

(22) Filed: **Apr. 13, 2010**

(51) **LOC (9) Cl.** **16-01**

(52) **U.S. Cl.** **D16/202**

(58) **Field of Classification Search** D16/200,
D16/202, 203, 204, 208, 218, 242; 348/373,
348/375; 396/419, 427, 535
See application file for complete search history.

(56) **References Cited**

U.S. PATENT DOCUMENTS

D396,869 S *	8/1998	Yamakawa et al.	D16/202
D399,860 S *	10/1998	Huang	D16/203
6,705,774 B2 *	3/2004	Tashiro et al.	396/427
D527,755 S *	9/2006	Wu	D16/202
D551,276 S *	9/2007	Lau	D16/242

D600,730 S *	9/2009	Su	D16/202
D606,106 S *	12/2009	Kim et al.	D16/218
7,736,071 B2 *	6/2010	Wahl et al.	348/373

* cited by examiner

Primary Examiner—Adir Aronovich

(74) *Attorney, Agent, or Firm*—Cheng-Ju Chiang

(57) **CLAIM**

The ornamental design for a webcam, as shown and described.

DESCRIPTION

FIG. 1 is a front and right side perspective view of a webcam showing my new design;

FIG. 2 is a front elevational view thereof;

FIG. 3 is a rear elevational view thereof;

FIG. 4 is a left side elevational view thereof;

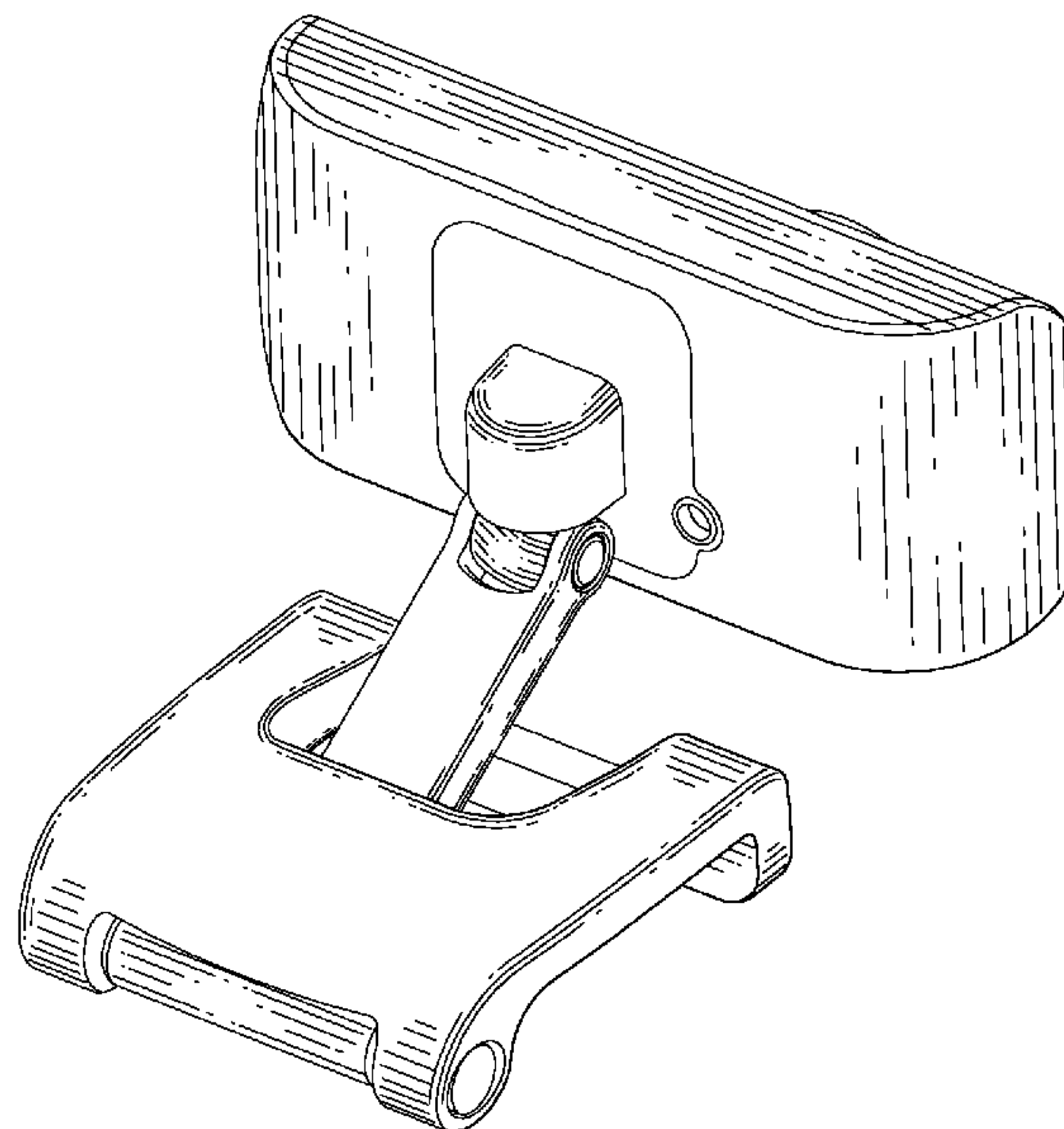
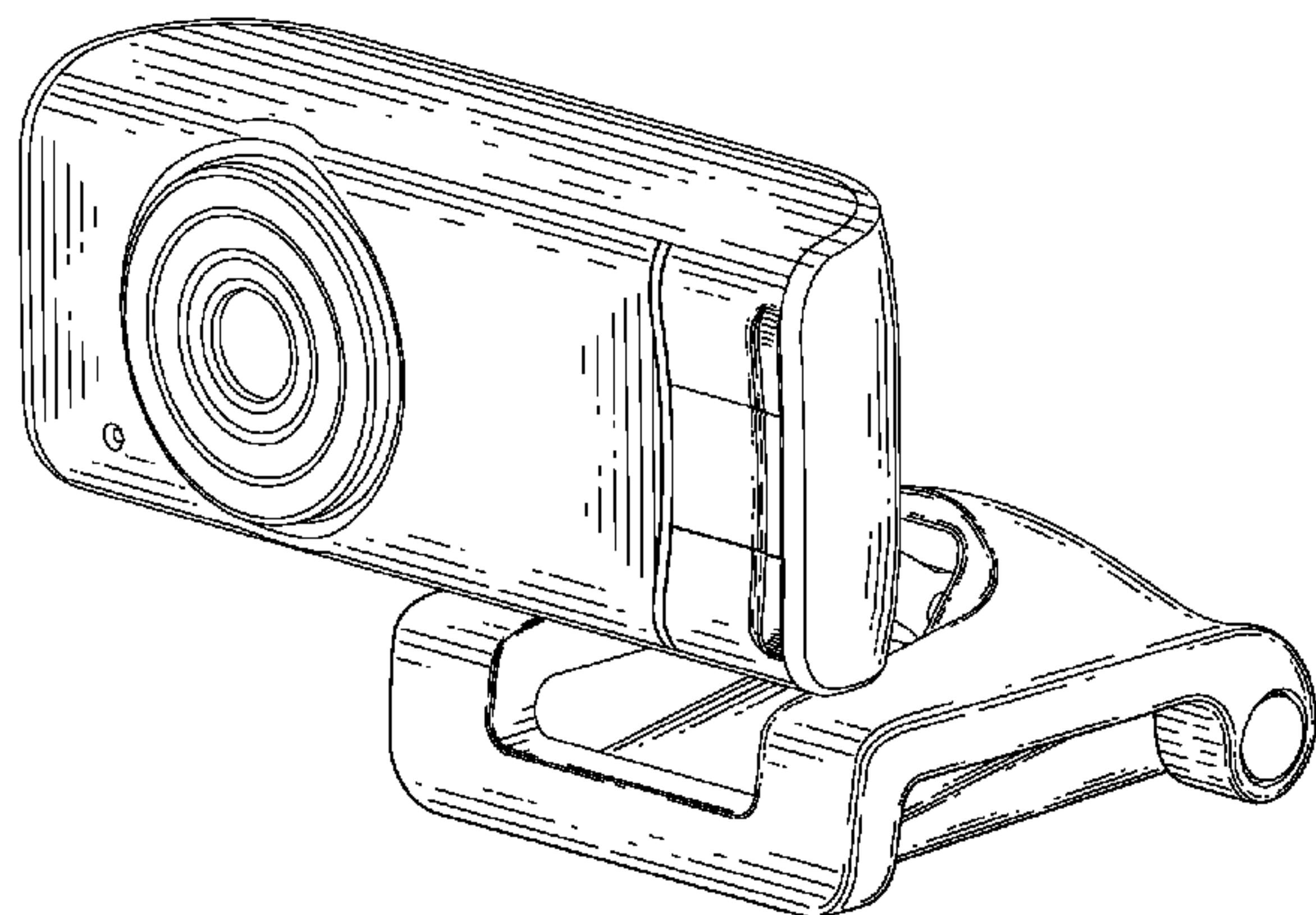
FIG. 5 is a right side elevational view thereof;

FIG. 6 is a top plan view thereof;

FIG. 7 is a bottom plan view thereof; and,

FIG. 8 is a rear and left side perspective view thereof.

1 Claim, 8 Drawing Sheets



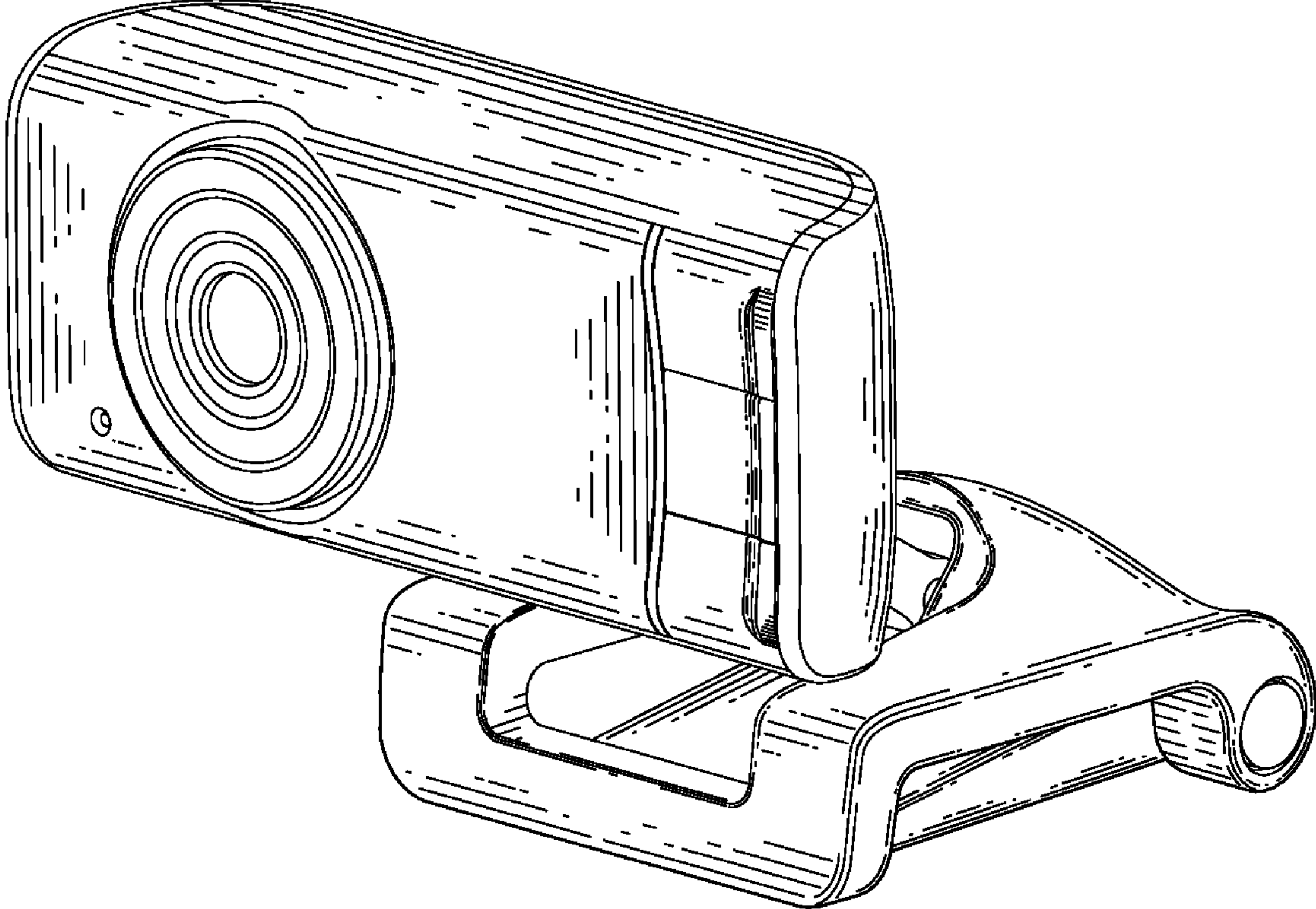


FIG. 1

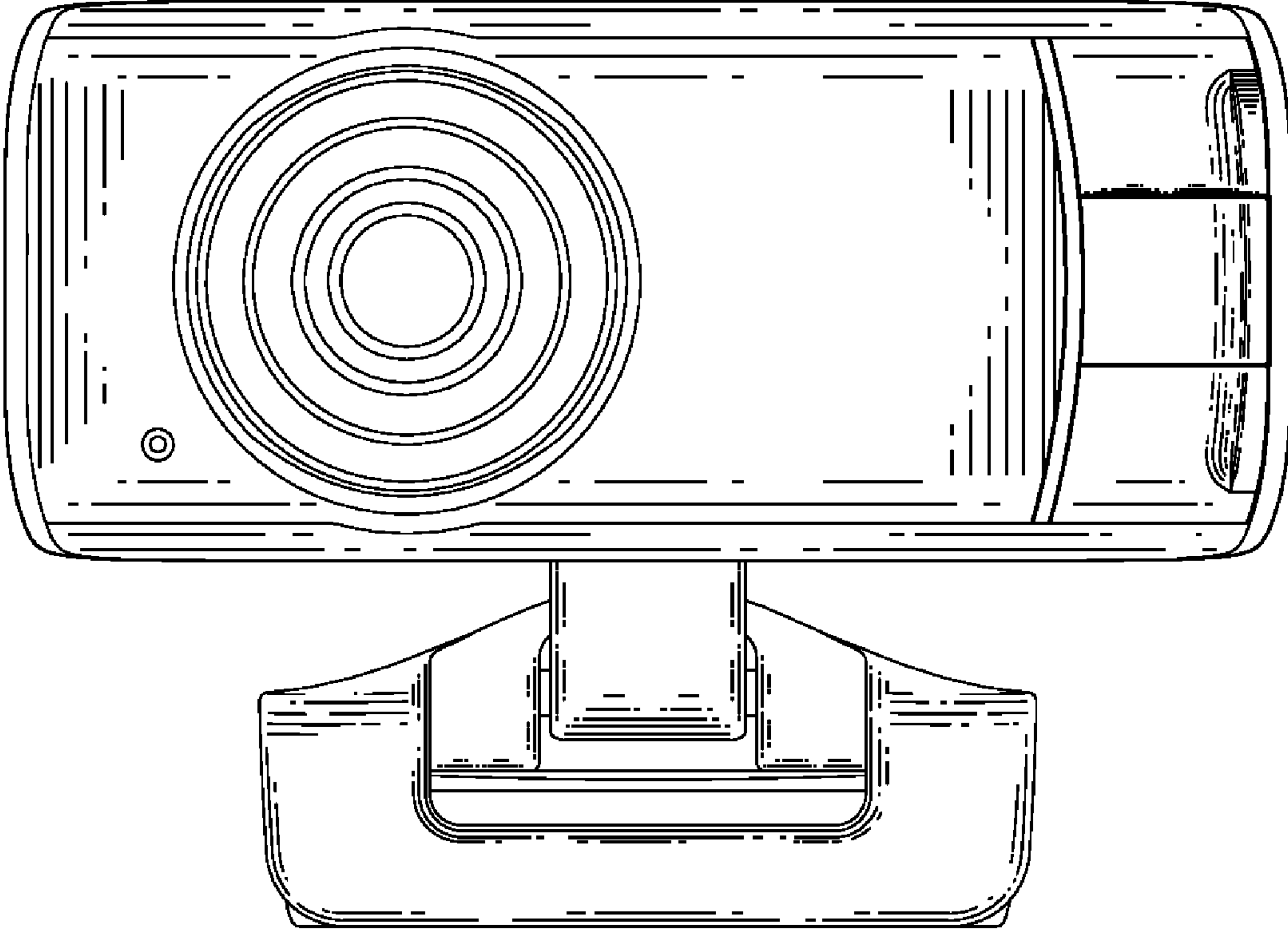


FIG. 2

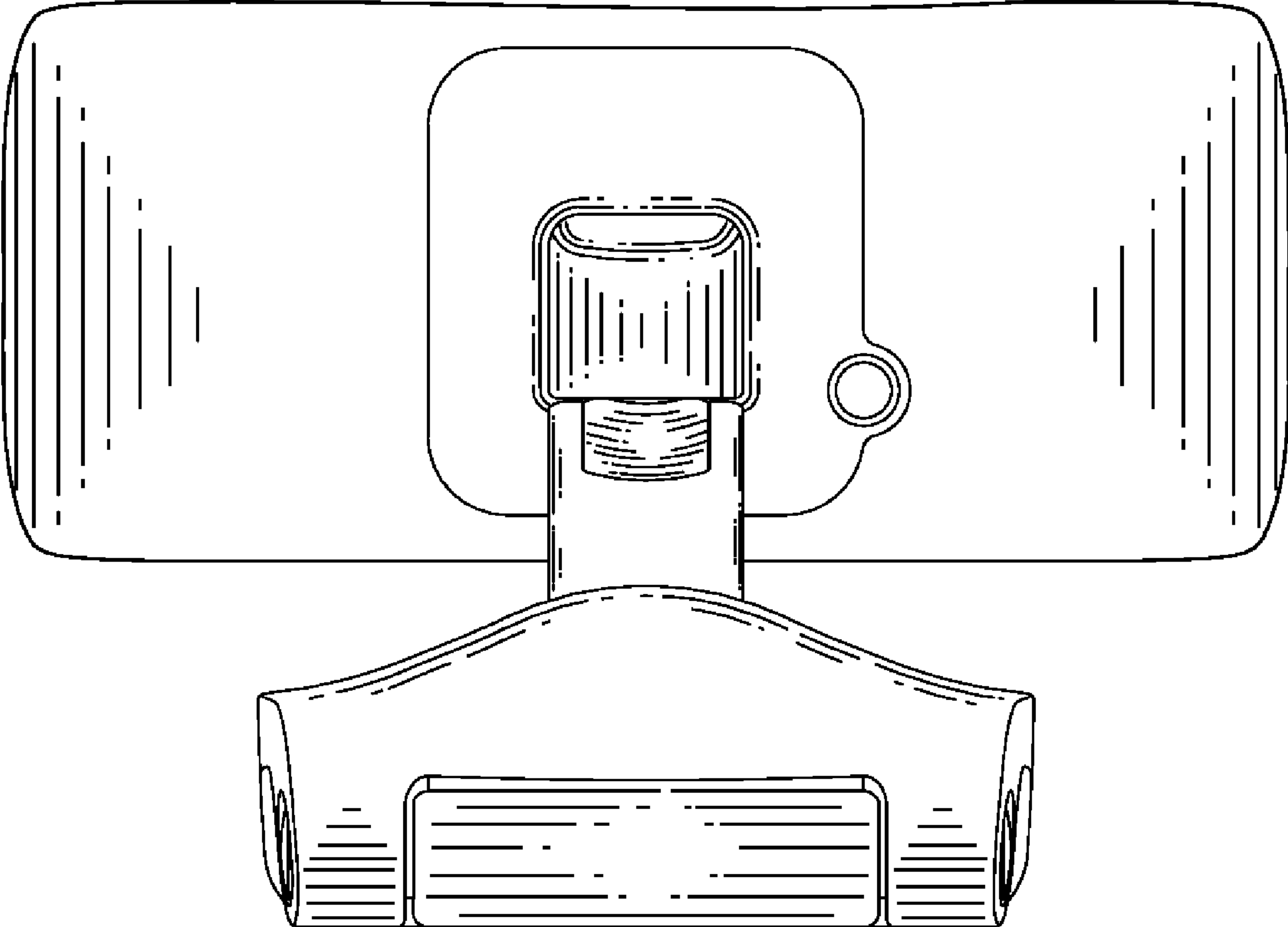


FIG. 3

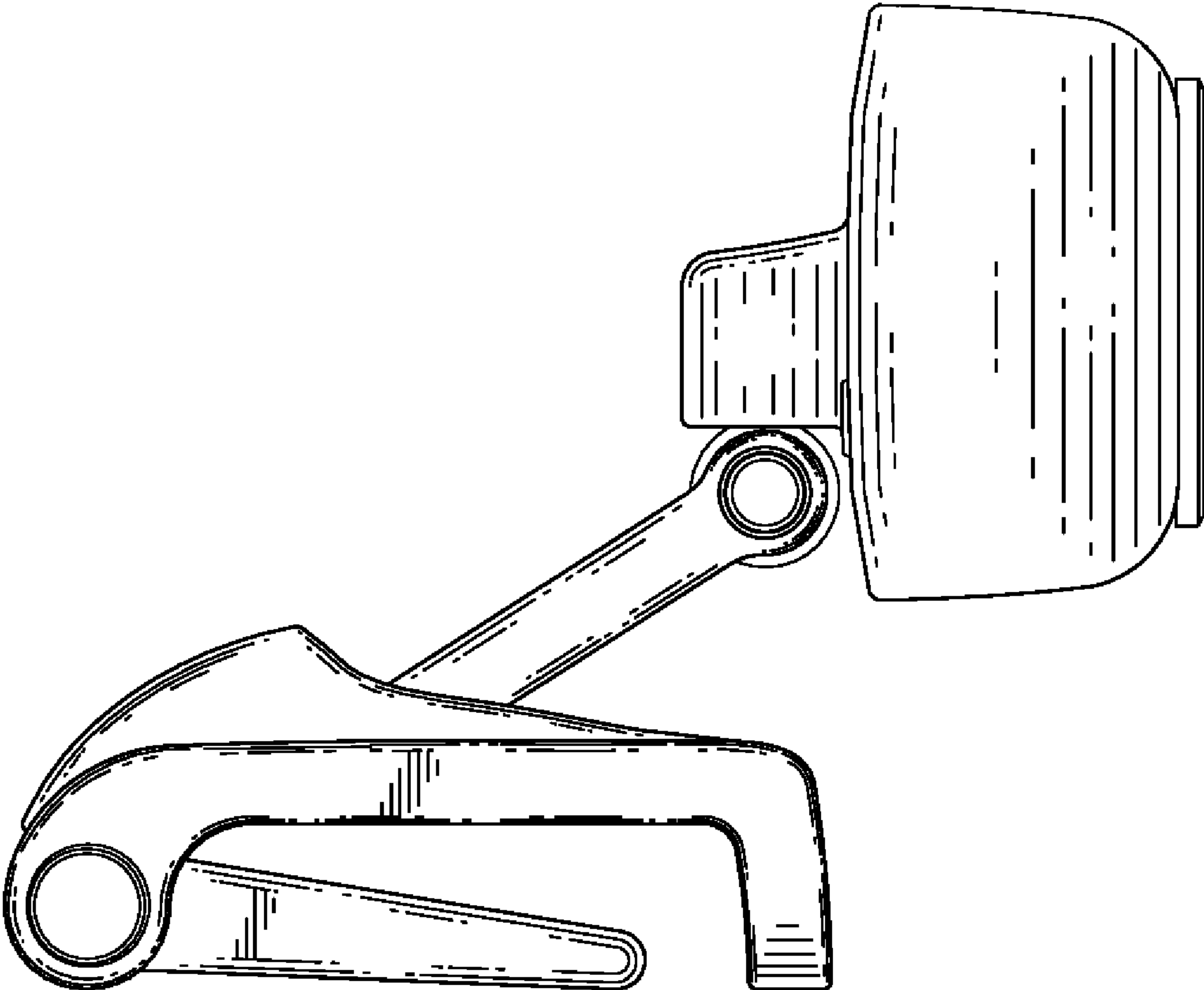


FIG. 4

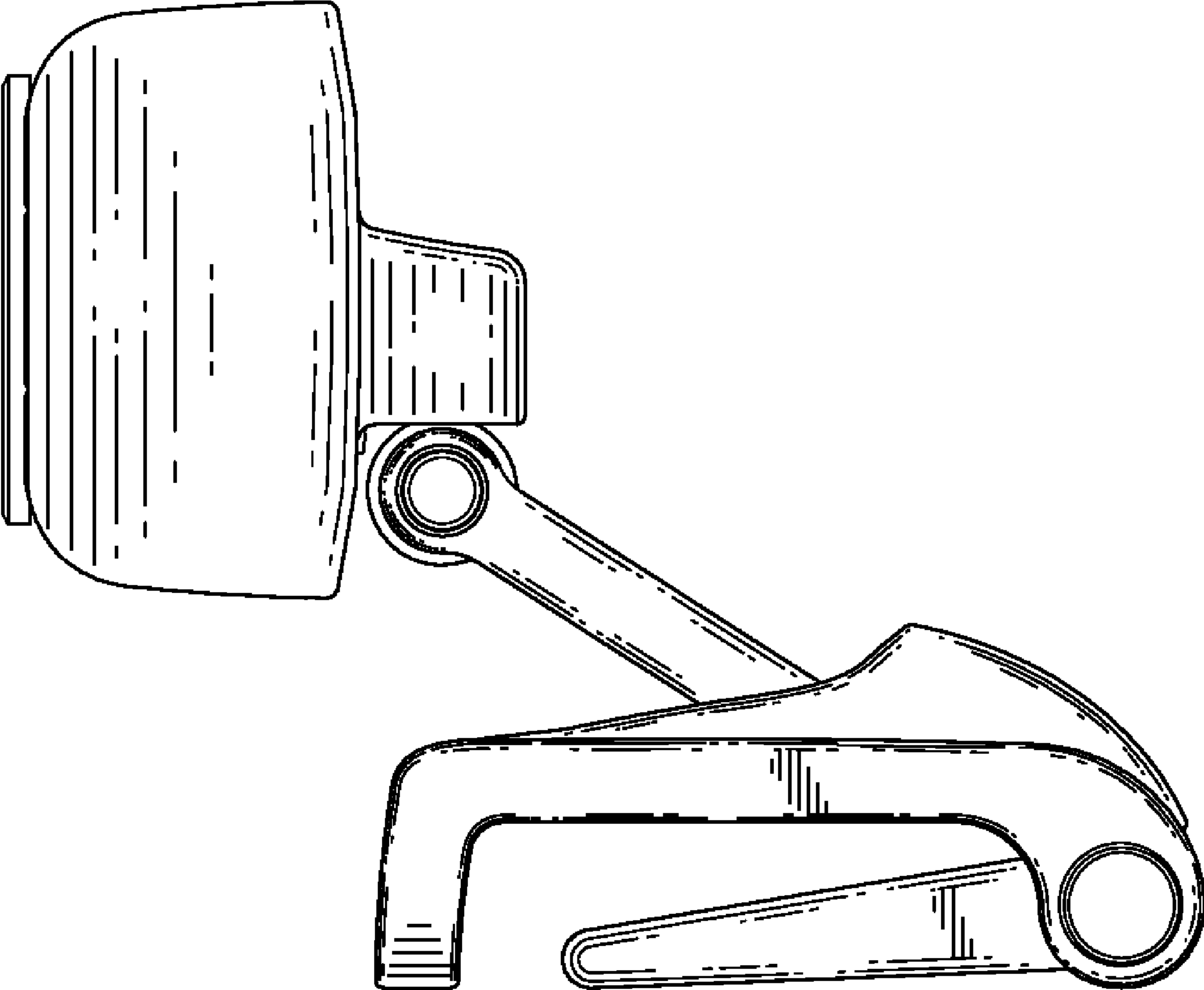


FIG. 5

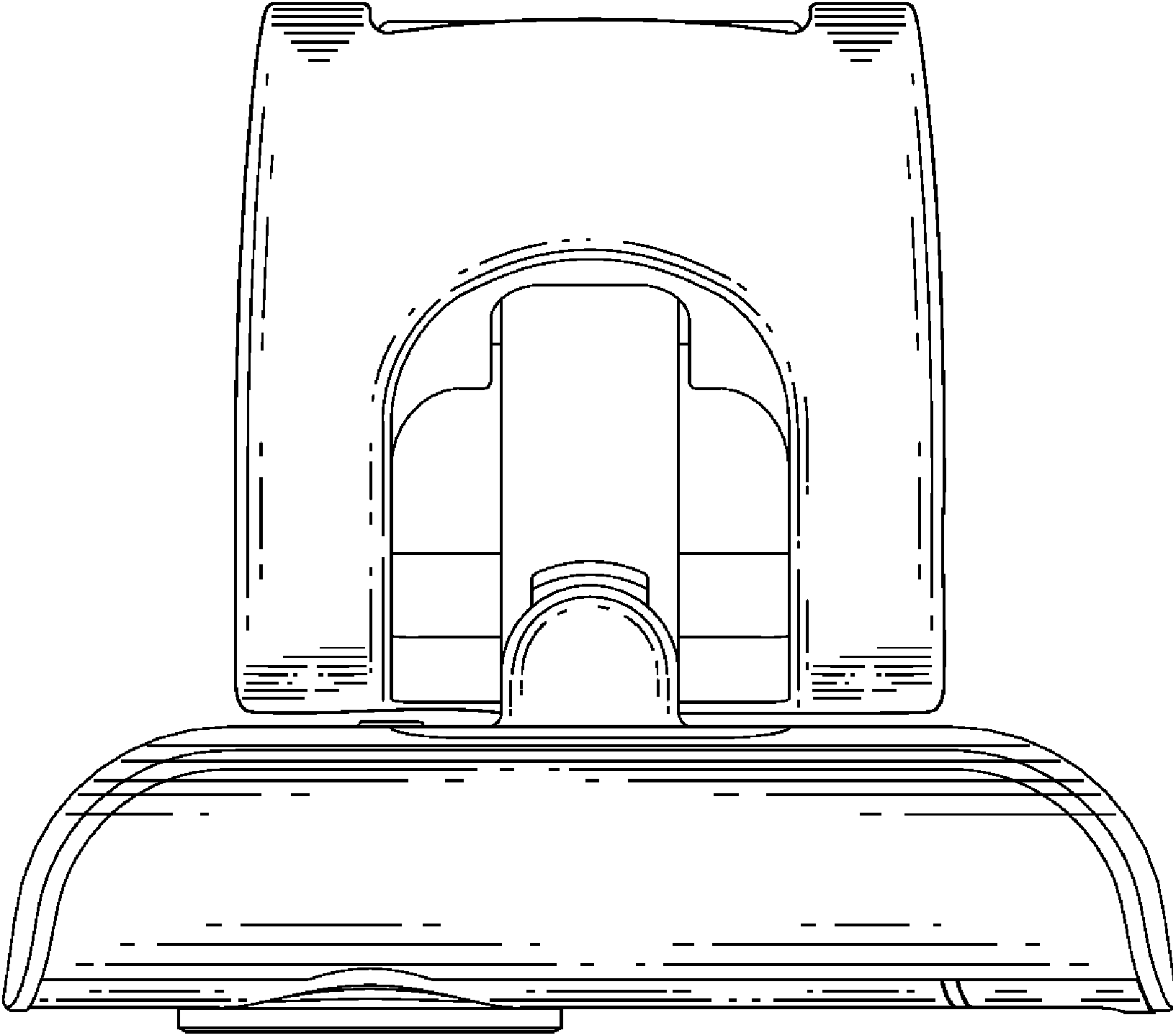


FIG. 6

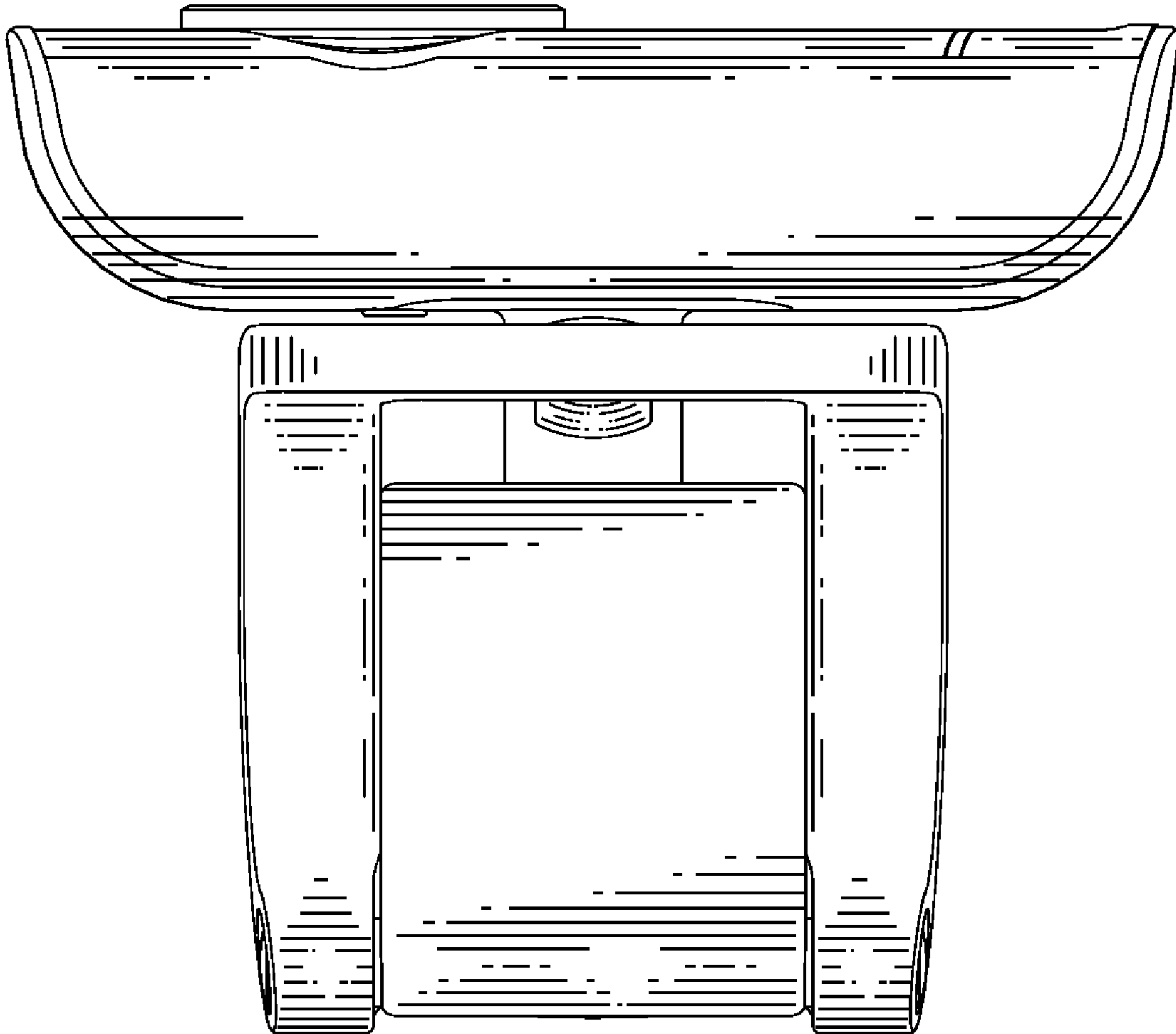


FIG. 7

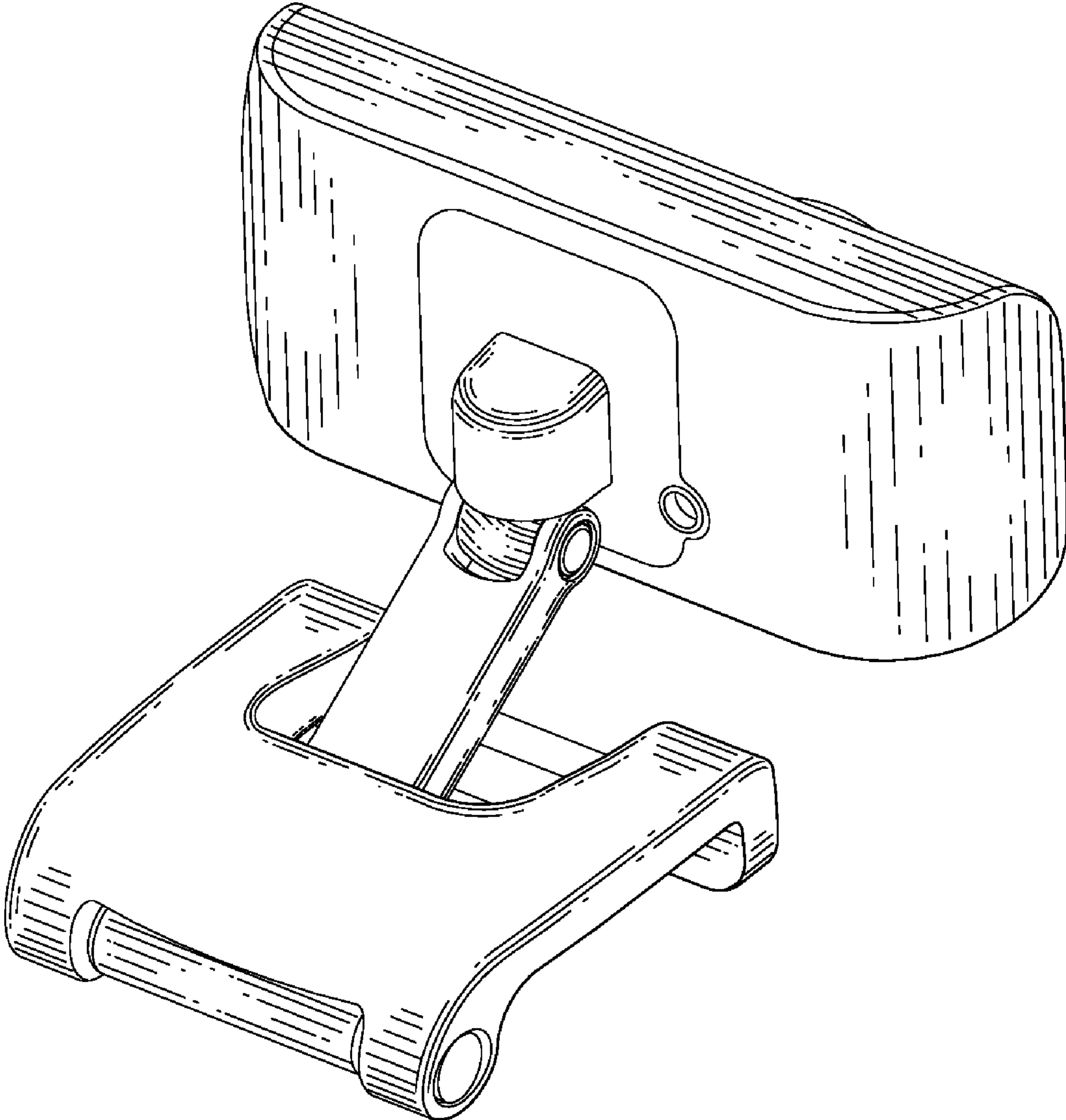


FIG. 8