



US00D631078S

(12) **United States Design Patent**  
**Nohara**

(10) **Patent No.:** **US D631,078 S**  
(45) **Date of Patent:** **\*\* Jan. 18, 2011**

(54) **DIGITAL CAMERA**

D610,179 S \* 2/2010 Tajima ..... D16/202

(75) Inventor: **Takeshi Nohara**, Hachioji (JP)

FOREIGN PATENT DOCUMENTS

(73) Assignee: **Olympus Imaging Corp.**, Tokyo (JP)

JP 1373367 S 11/2009

(\*\*) Term: **14 Years**

\* cited by examiner

(21) Appl. No.: **29/355,227**

*Primary Examiner*—Adir Aronovich  
(74) *Attorney, Agent, or Firm*—Holtz, Holtz, Goodman & Chick, PC

(22) Filed: **Feb. 4, 2010**

(57) **CLAIM**

(30) **Foreign Application Priority Data**

Dec. 25, 2009 (JP) ..... 2009-030320

The ornamental design for a digital camera, as shown and described.

(51) **LOC (9) Cl.** ..... **16-01**

**DESCRIPTION**

(52) **U.S. Cl.** ..... **D16/202**

(58) **Field of Classification Search** ..... D16/200–204,  
D16/208, 218; 348/373–376; 358/909.1;  
396/535–541

FIG. 1 is a front, top and right side perspective view of a digital camera showing my new design;  
FIG. 2 is a front elevational view thereof;  
FIG. 3 is a rear elevational view thereof;  
FIG. 4 is a top plan view thereof;  
FIG. 5 is a bottom plan view thereof;  
FIG. 6 is a right side perspective view thereof; and,  
FIG. 7 is a left side perspective view thereof.

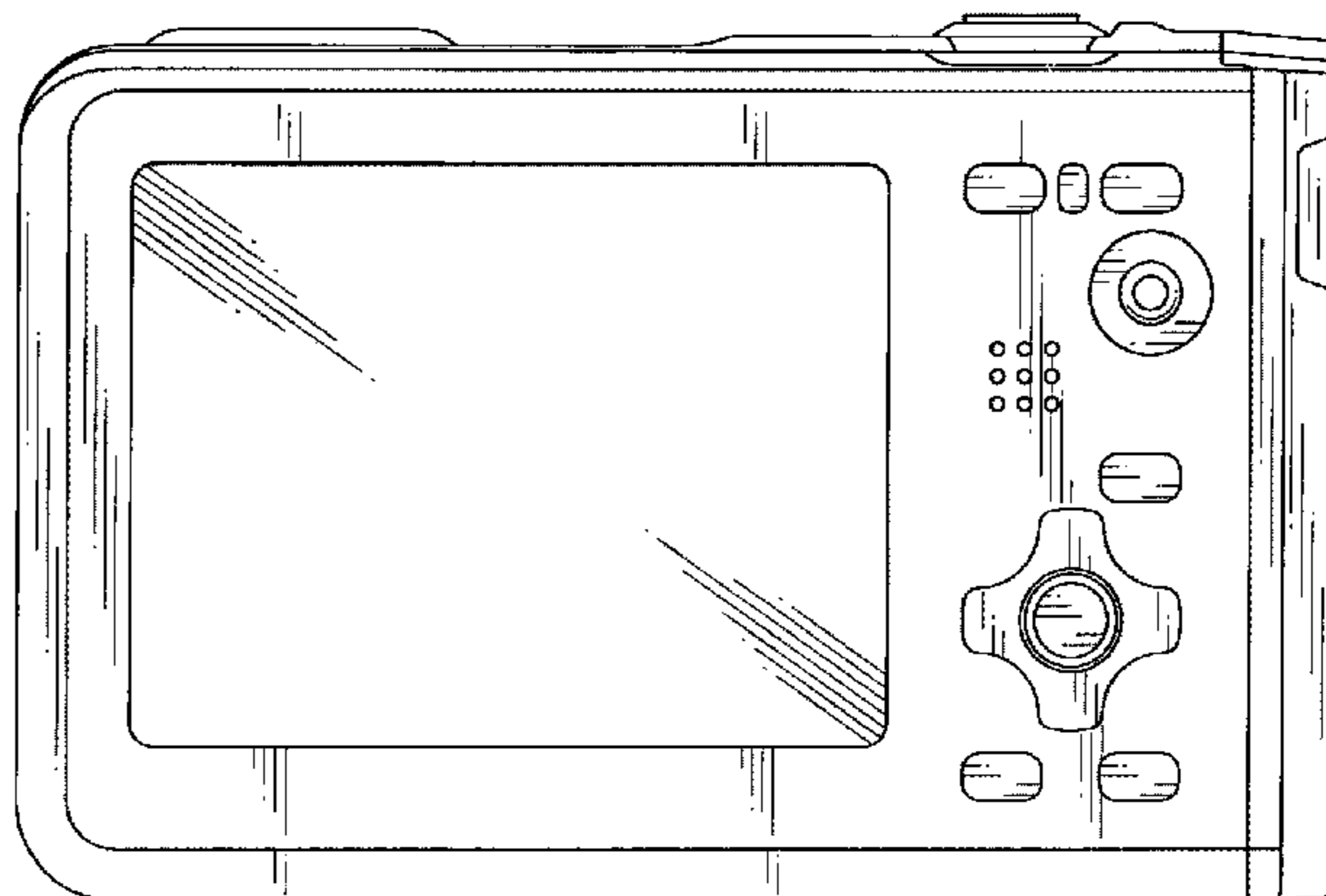
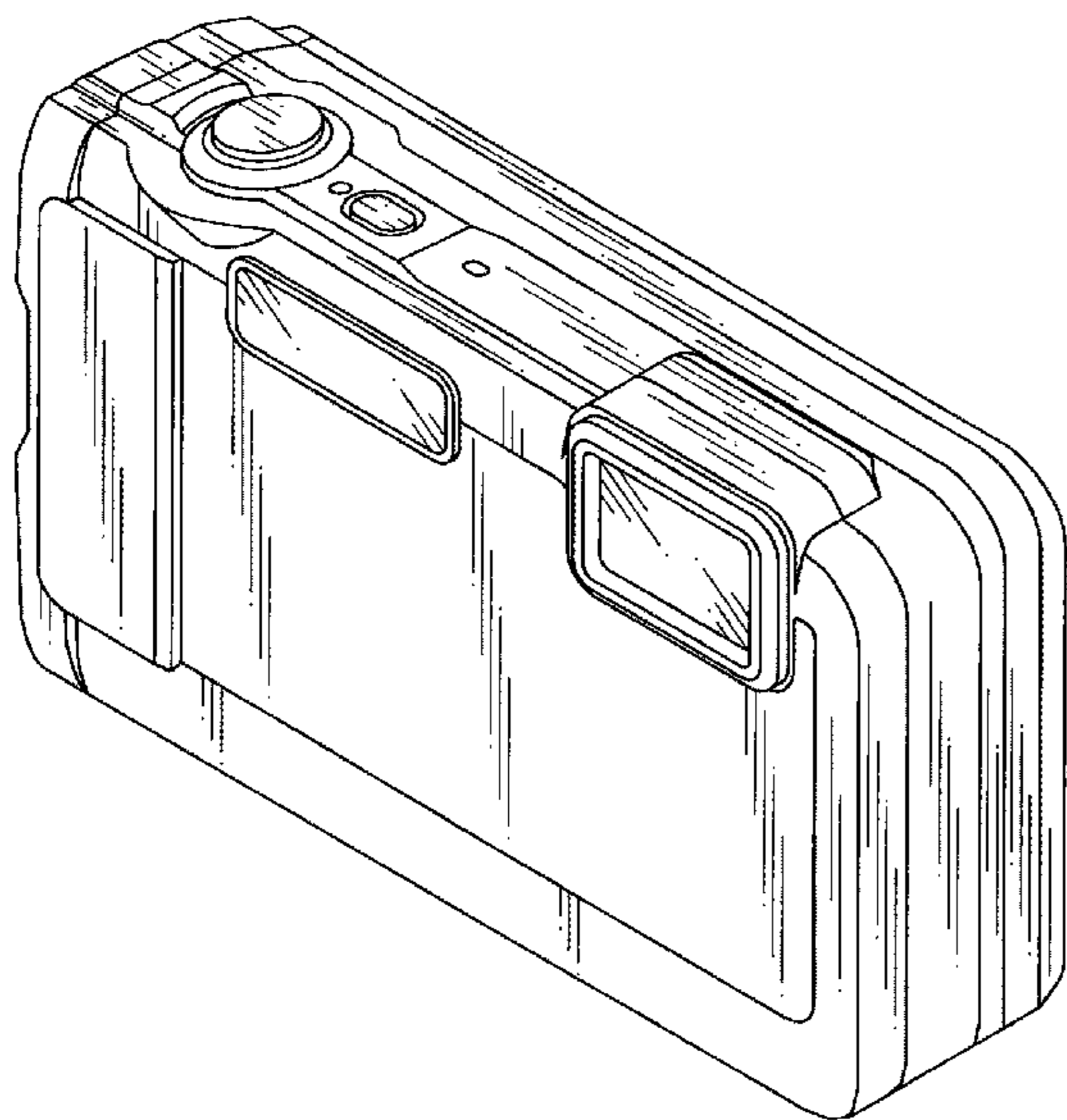
See application file for complete search history.

(56) **References Cited**

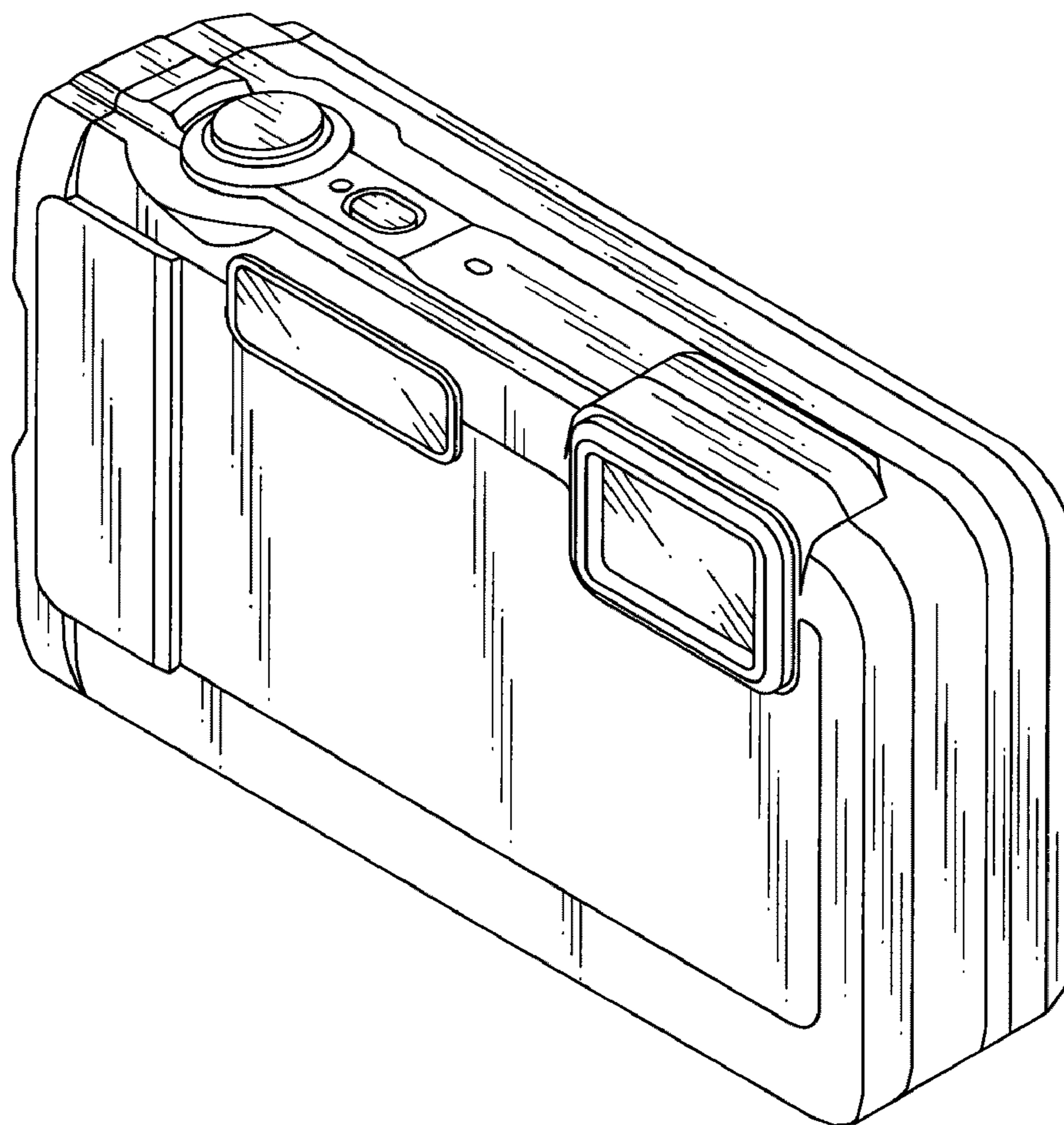
U.S. PATENT DOCUMENTS

D548,255 S \* 8/2007 Naito ..... D16/202  
D573,623 S \* 7/2008 Nakajima ..... D16/218  
D585,083 S \* 1/2009 Nakajima ..... D16/202  
D609,731 S \* 2/2010 Yagi ..... D16/202

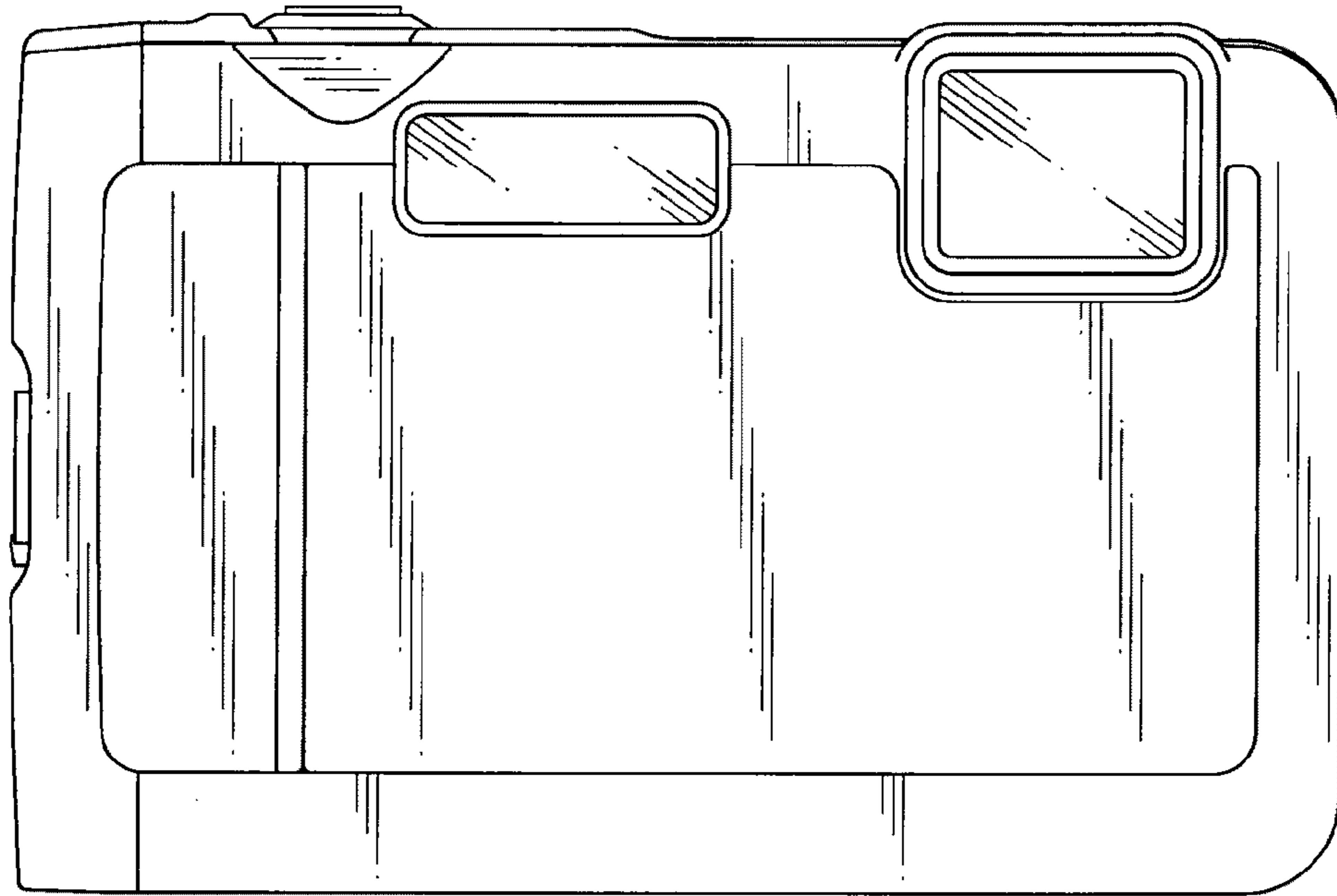
**1 Claim, 4 Drawing Sheets**



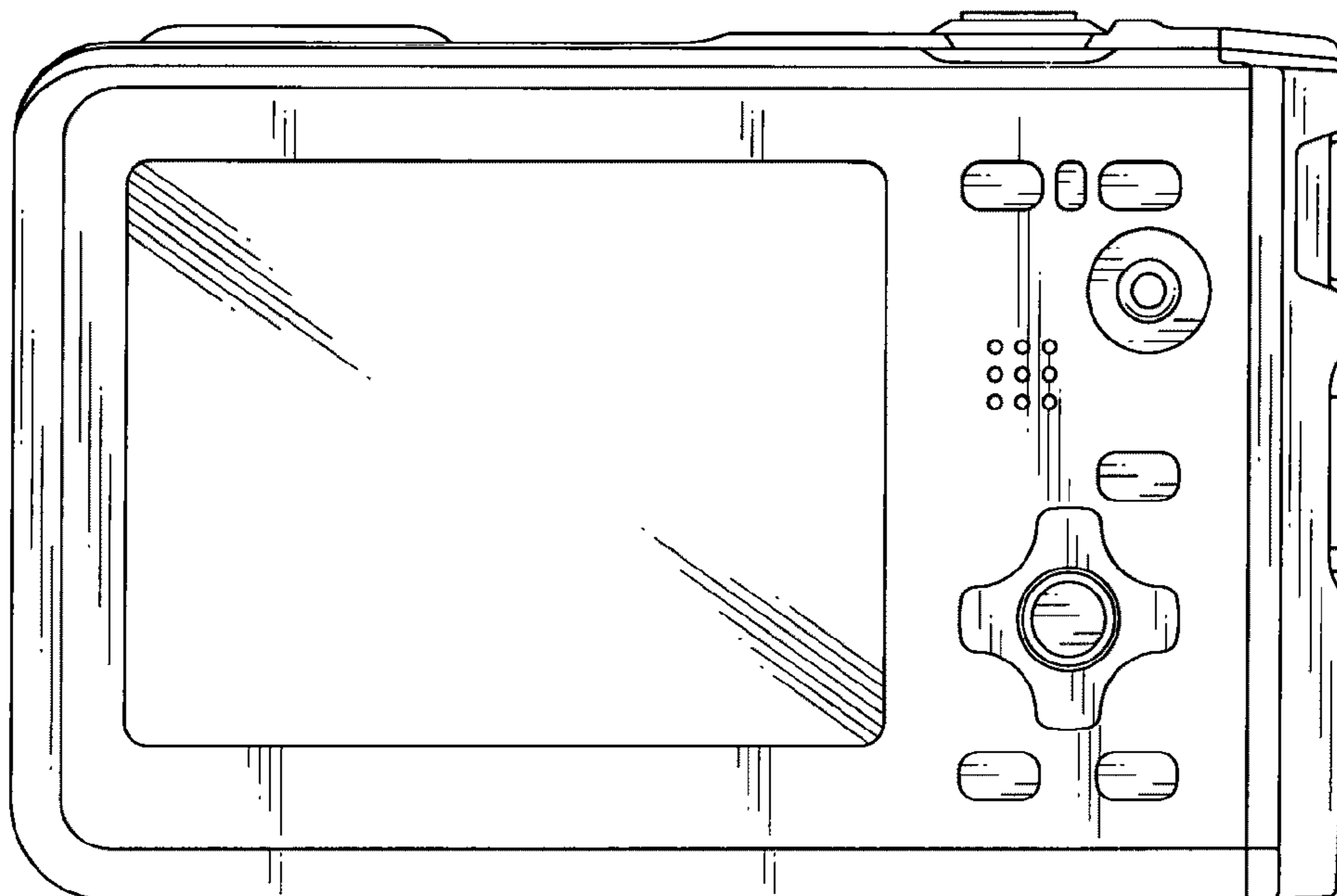
**FIG.1**



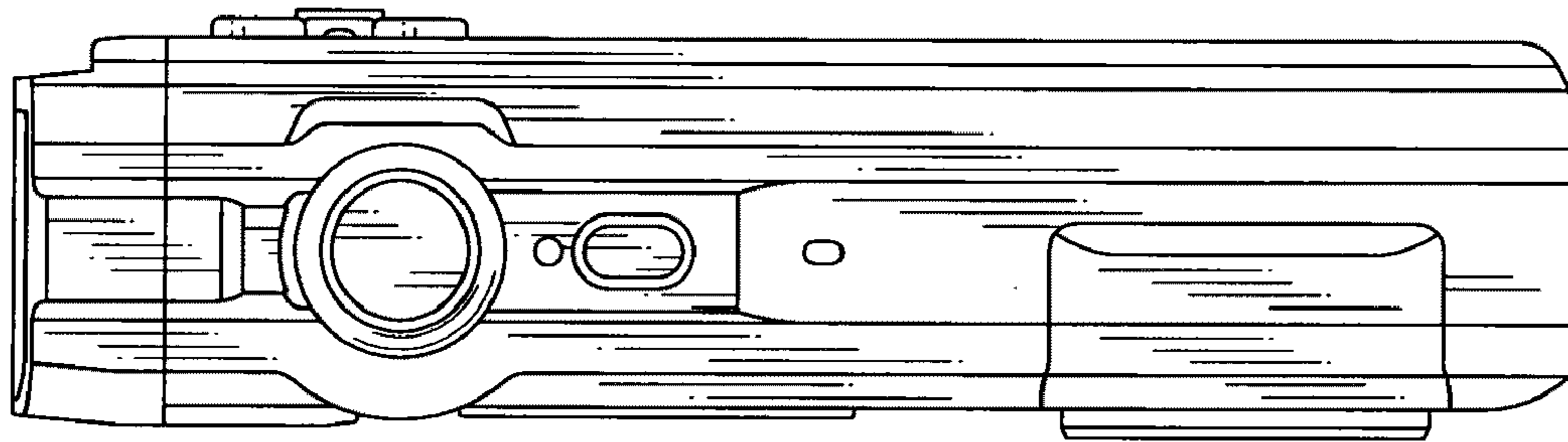
**FIG.2**



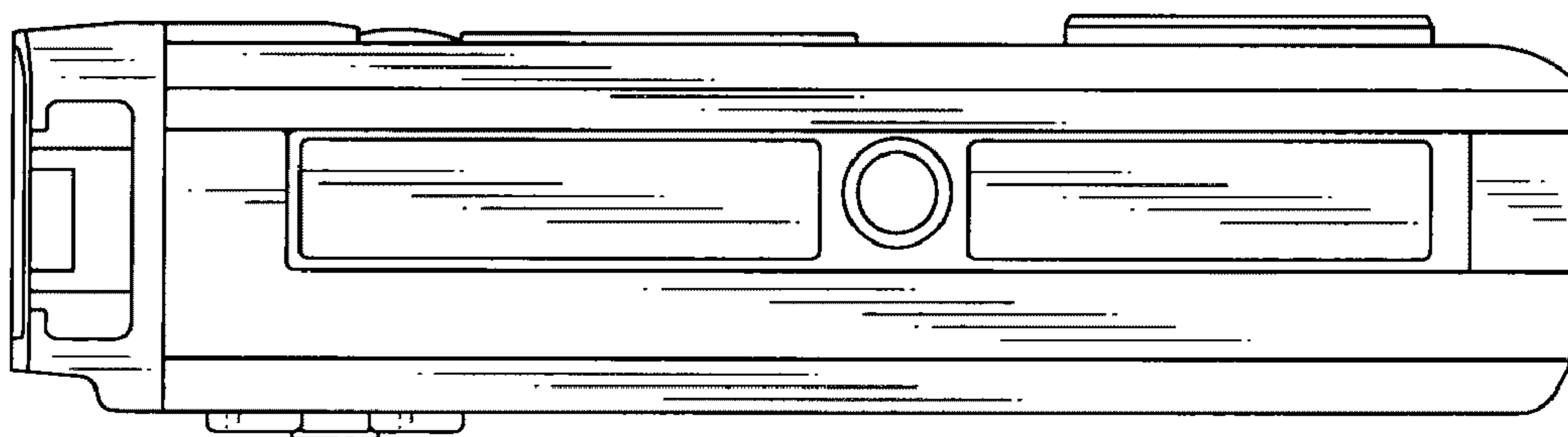
**FIG.3**



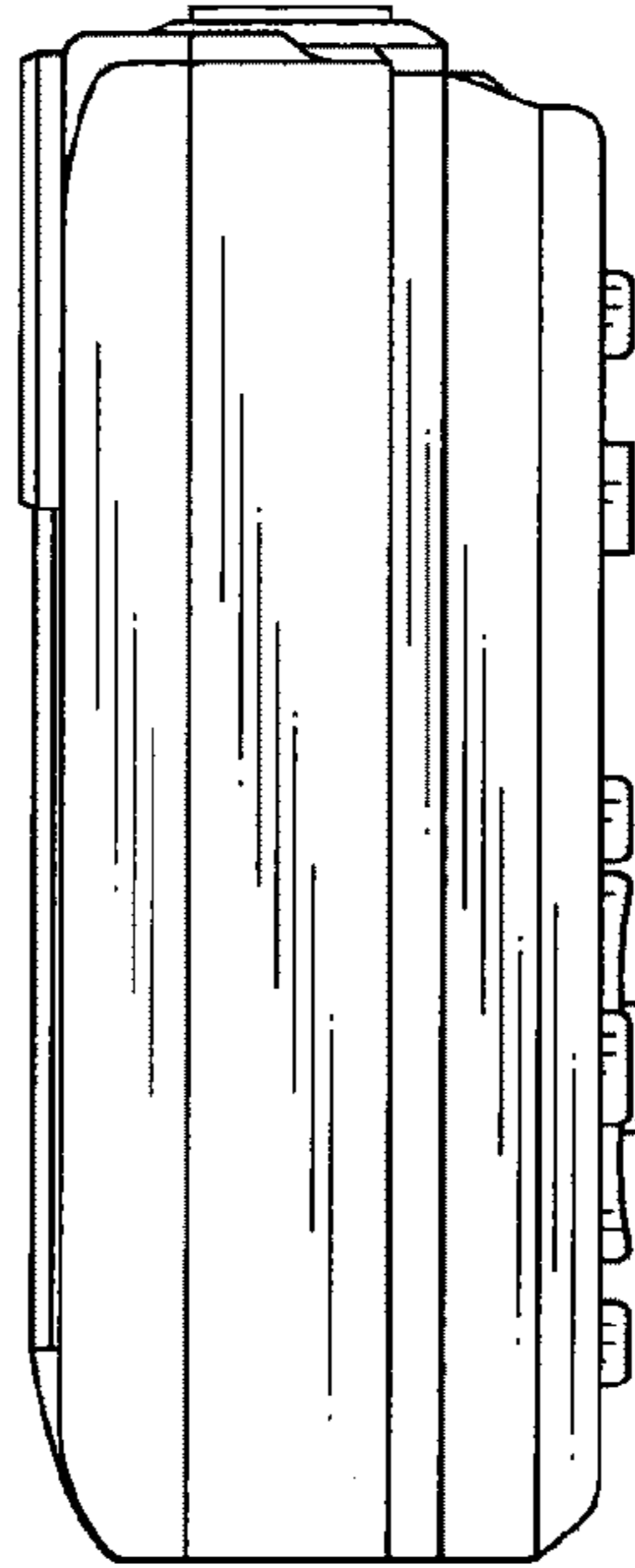
**FIG.4**



**FIG.5**



**FIG.6**



**FIG.7**

