



US00D631077S

(12) **United States Design Patent**
Kawase

(10) **Patent No.:** **US D631,077 S**
(45) **Date of Patent:** **** Jan. 18, 2011**

- (54) **CAMCORDER**
- (75) Inventor: **Atsushi Kawase**, Seoul (KR)
- (73) Assignee: **Samsung Electronics Co., Ltd.**,
Kyunggi-do (KR)
- (**) Term: **14 Years**
- (21) Appl. No.: **29/348,992**
- (22) Filed: **Feb. 26, 2010**
- (51) **LOC (9) Cl.** **16-01**
- (52) **U.S. Cl.** **D16/202**
- (58) **Field of Classification Search** D16/200–205,
D16/208, 218; 348/373–376; 358/906; 396/535–541
See application file for complete search history.

- D552,142 S 10/2007 Chung
- D552,648 S 10/2007 Chung
- D554,676 S 11/2007 Kim
- D554,678 S 11/2007 Kim
- D556,801 S 12/2007 Kim
- D558,247 S 12/2007 Kim
- D559,290 S 1/2008 Chung
- D560,241 S 1/2008 Chung
- D560,242 S 1/2008 Chung
- D560,243 S 1/2008 Kim
- D580,469 S 11/2008 Chung et al.
- D580,470 S 11/2008 Chung et al.
- D584,325 S 1/2009 Chung et al.
- D584,753 S 1/2009 Chung et al.
- D584,754 S 1/2009 Chung et al.
- D600,731 S 9/2009 Lee et al.
- D613,323 S 4/2010 Jang et al.
- D614,221 S * 4/2010 Park D16/203
- D619,155 S * 7/2010 Kim et al. D16/202

(56) **References Cited**

U.S. PATENT DOCUMENTS

- D356,806 S 3/1995 Kim
- D365,354 S 12/1995 Sung
- D366,886 S 2/1996 Choi
- D368,729 S 4/1996 Choi
- D372,925 S 8/1996 Choi
- D378,296 S 3/1997 Choi
- D383,767 S 9/1997 Sung et al.
- D386,506 S 11/1997 Choi
- D390,243 S 2/1998 Choi
- 5,739,859 A * 4/1998 Hattori et al. 348/375
- D463,469 S * 9/2002 Kawase D16/202
- D484,901 S 1/2004 Lim
- D493,810 S * 8/2004 Katayama D16/202
- D498,780 S * 11/2004 Su et al. D16/202
- D507,587 S * 7/2005 Su et al. D16/202
- D515,605 S * 2/2006 Hayashi et al. D16/202
- D520,044 S 5/2006 Chung et al.
- D520,545 S 5/2006 Chung et al.
- D520,546 S 5/2006 Kim
- D521,041 S 5/2006 Chung et al.
- D526,674 S 8/2006 Byun et al.
- D528,142 S 9/2006 Byun et al.
- D528,576 S 9/2006 Chung et al.
- D528,577 S 9/2006 Byun et al.
- D533,206 S 12/2006 Kim
- D549,758 S * 8/2007 Gustavsson et al. D16/202

* cited by examiner

Primary Examiner—Adir Aronovich
(74) *Attorney, Agent, or Firm*—Flynn, Thiel, Boutell & Tanis, P.C.

(57) **CLAIM**

The ornamental design for a camcorder, as shown and described.

DESCRIPTION

FIG. 1 is a top front perspective view of a camcorder showing my new design;

FIG. 2 is a front elevational view thereof;

FIG. 3 is a rear elevational view thereof;

FIG. 4 is a left side elevational view thereof;

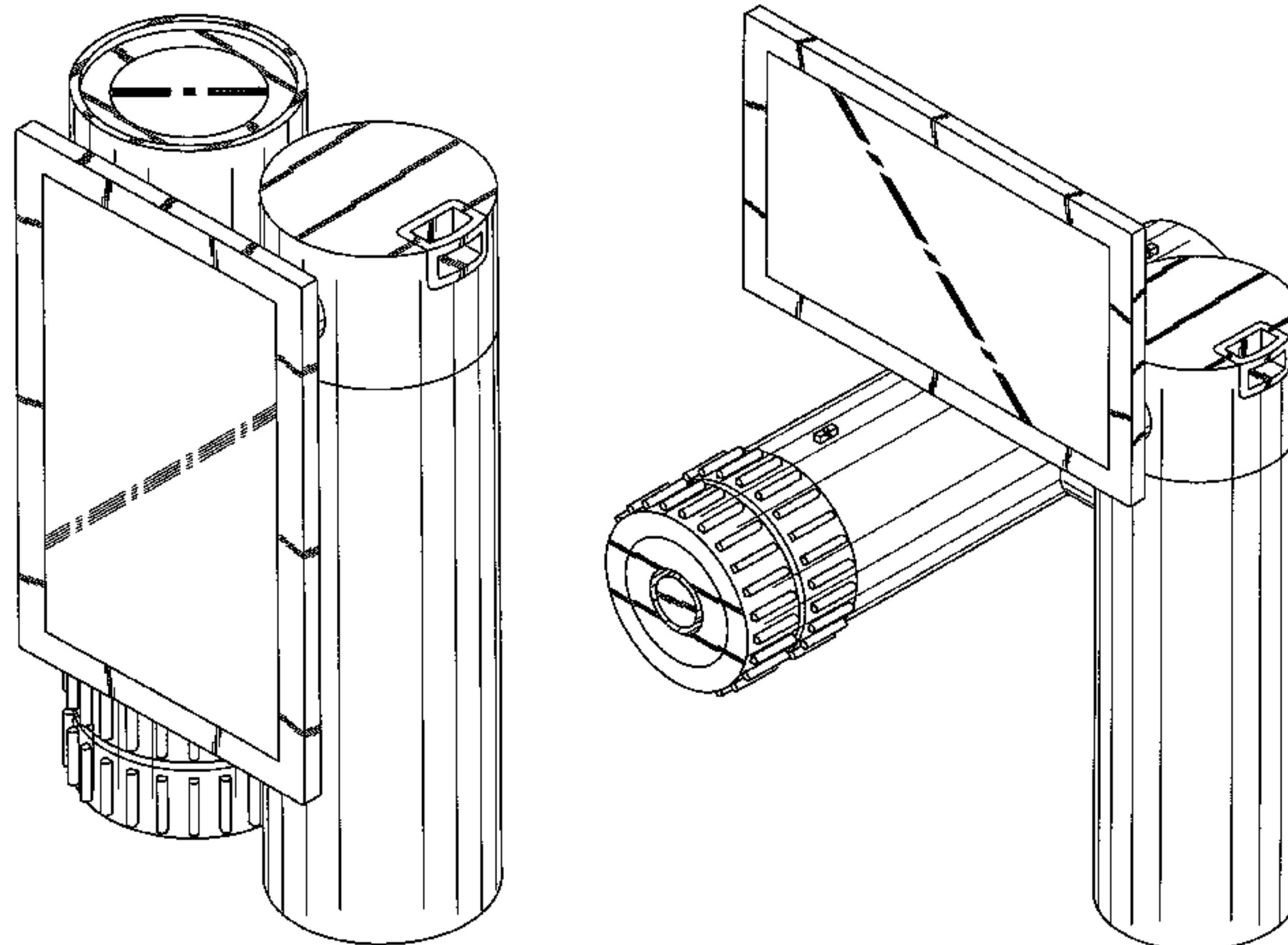
FIG. 5 is a right side elevational view thereof;

FIG. 6 is a top plan view thereof;

FIG. 7 is a bottom plan view thereof; and,

FIG. 8 is a front, perspective view thereof, showing the display screen and lens tube in an alternate position.

1 Claim, 6 Drawing Sheets



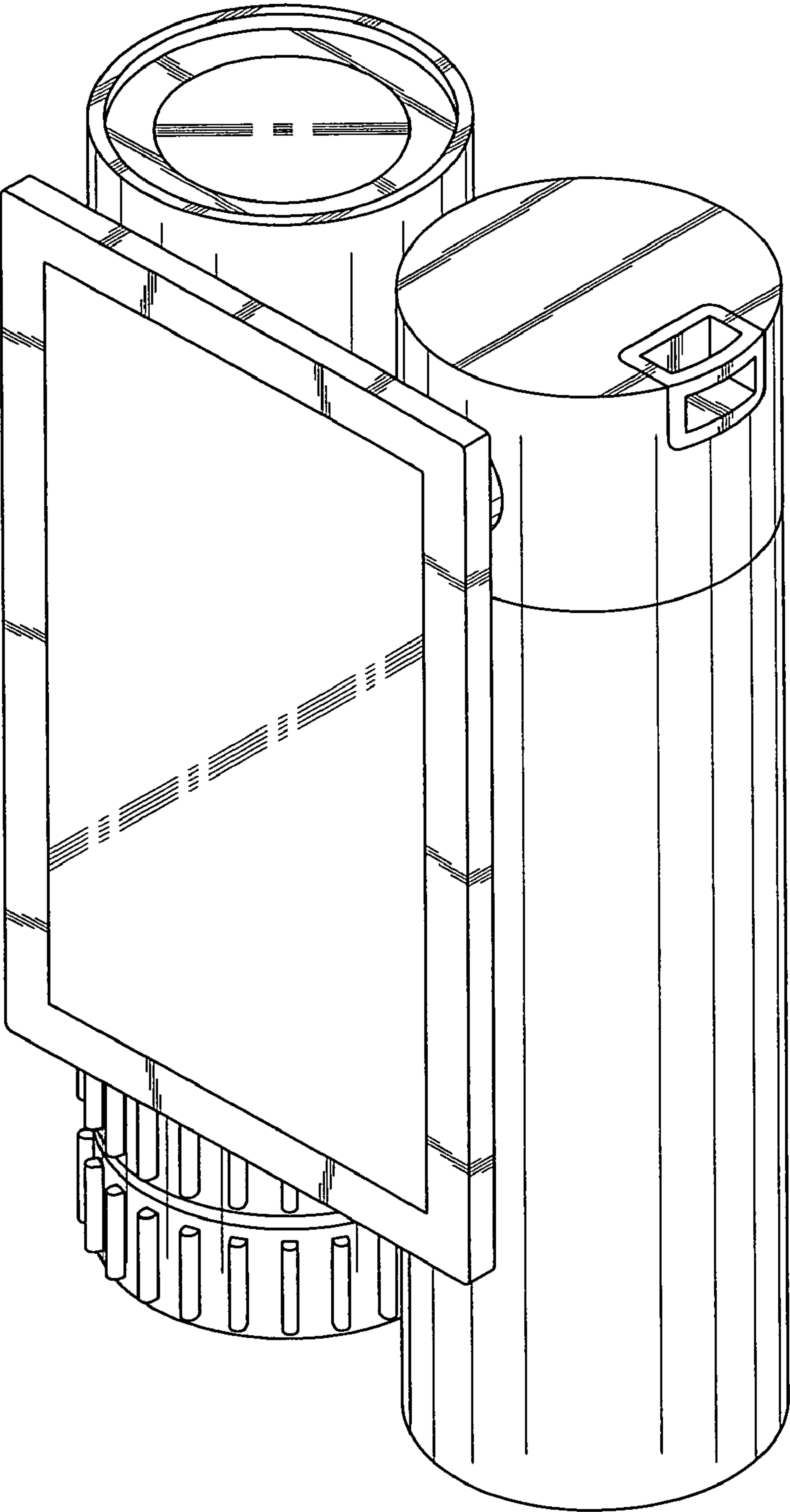


FIG. 1

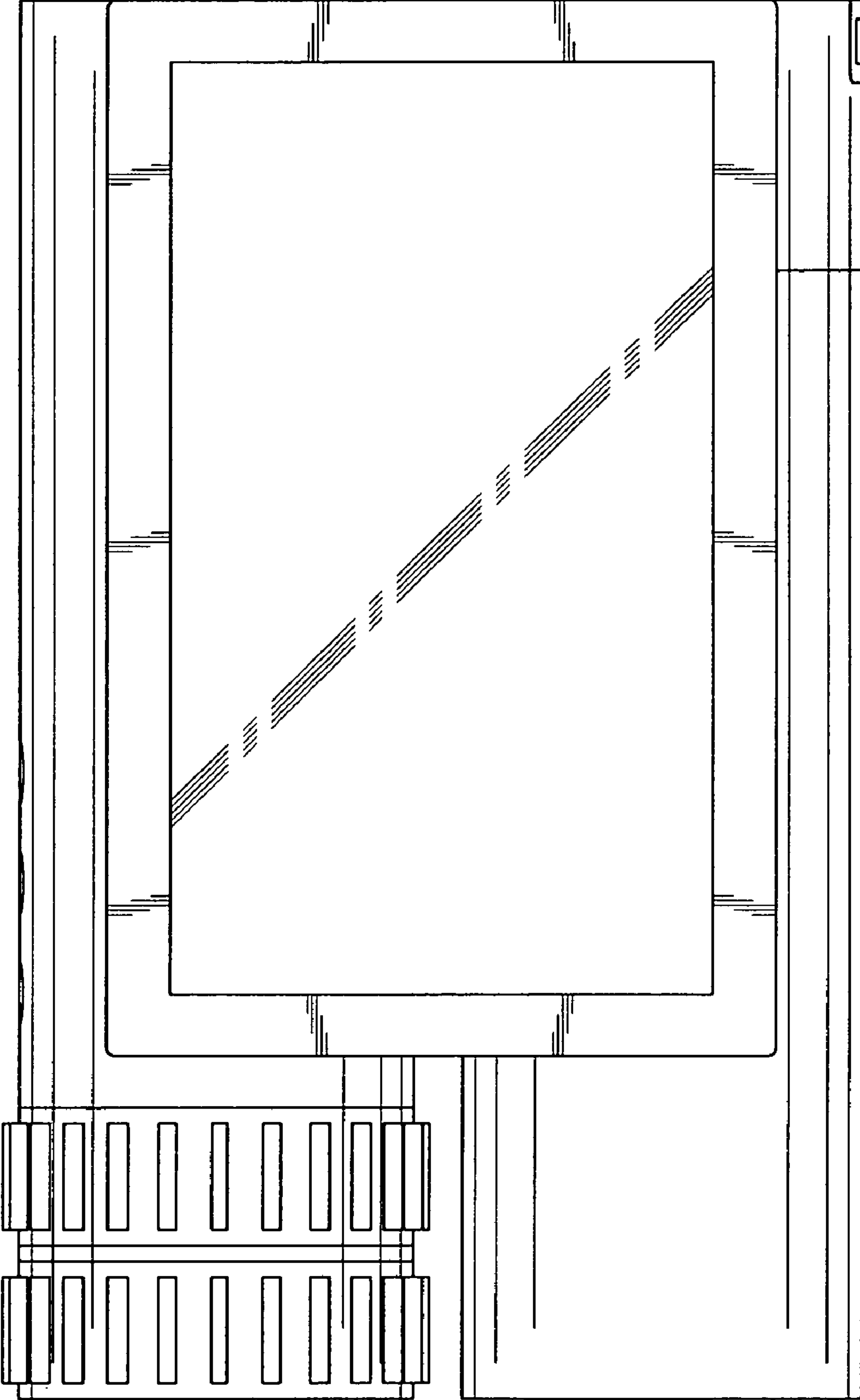


FIG. 2

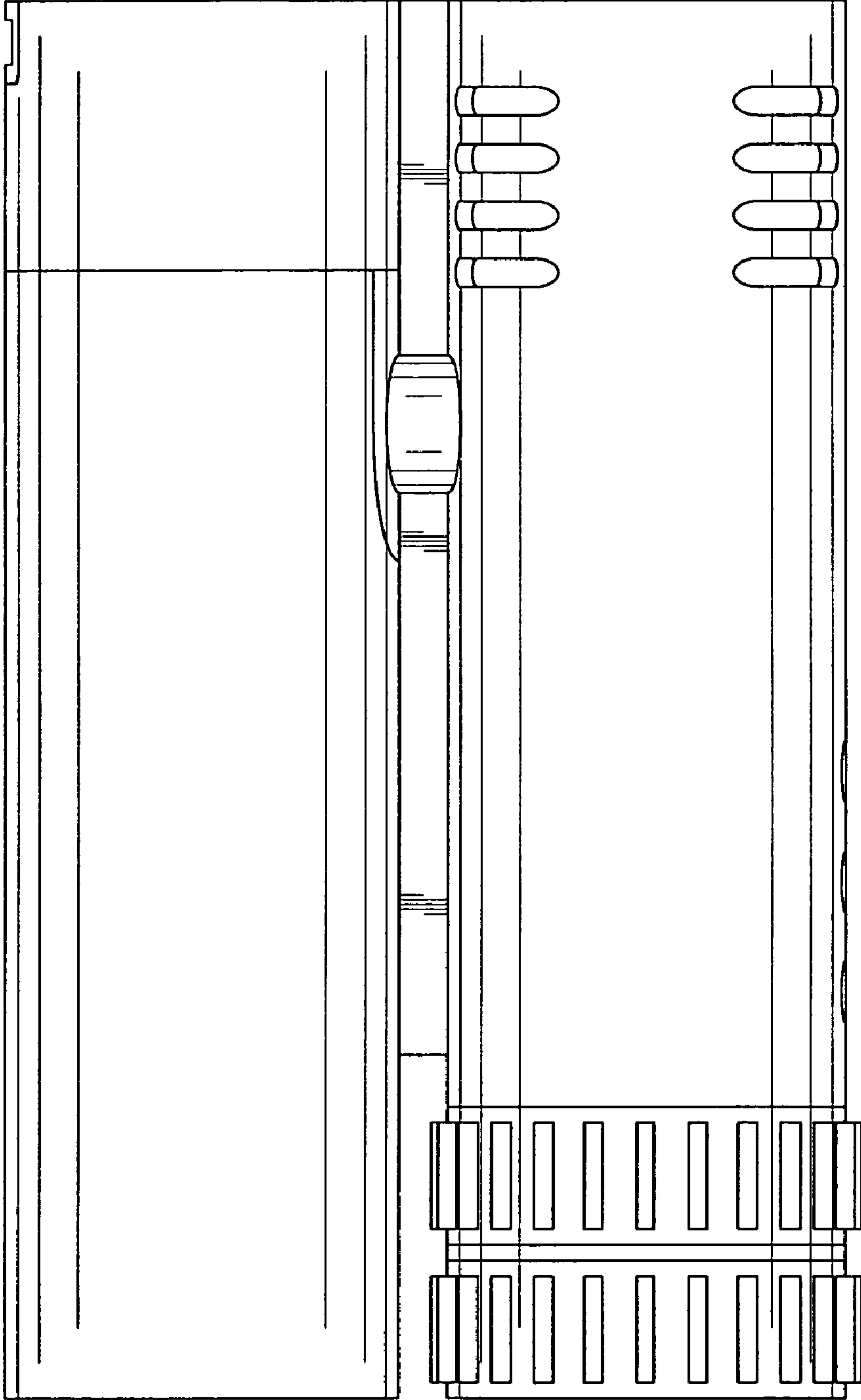


FIG. 3

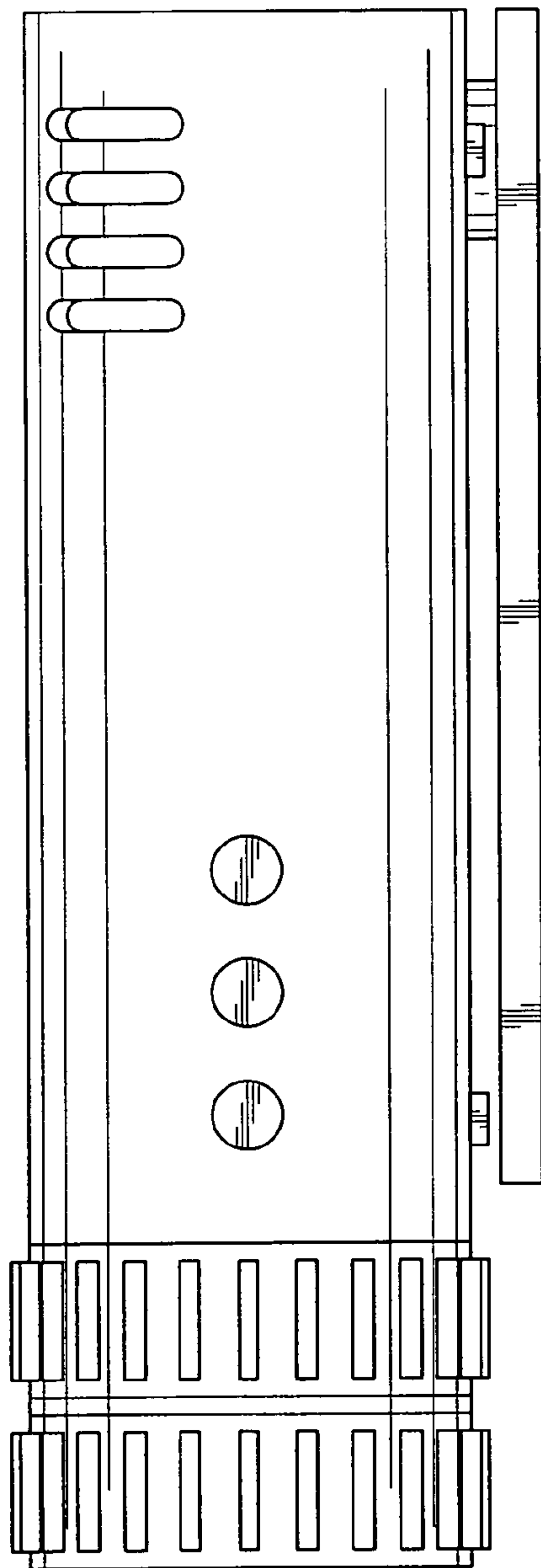


FIG. 4

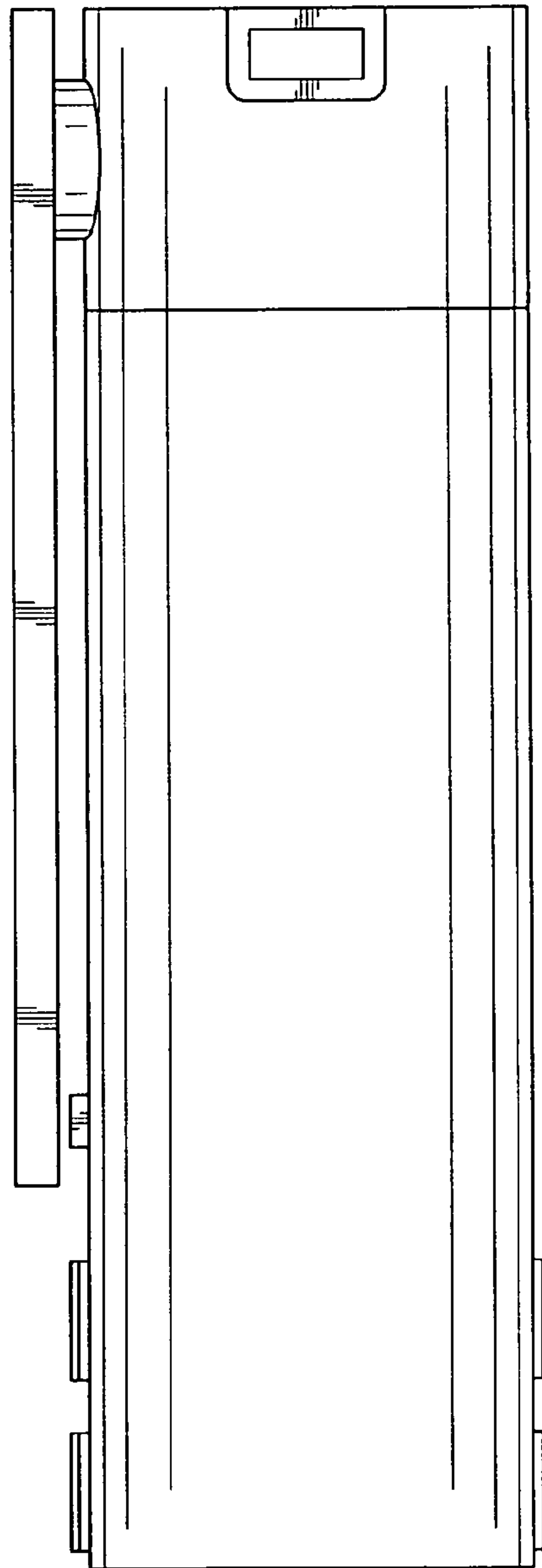


FIG. 5

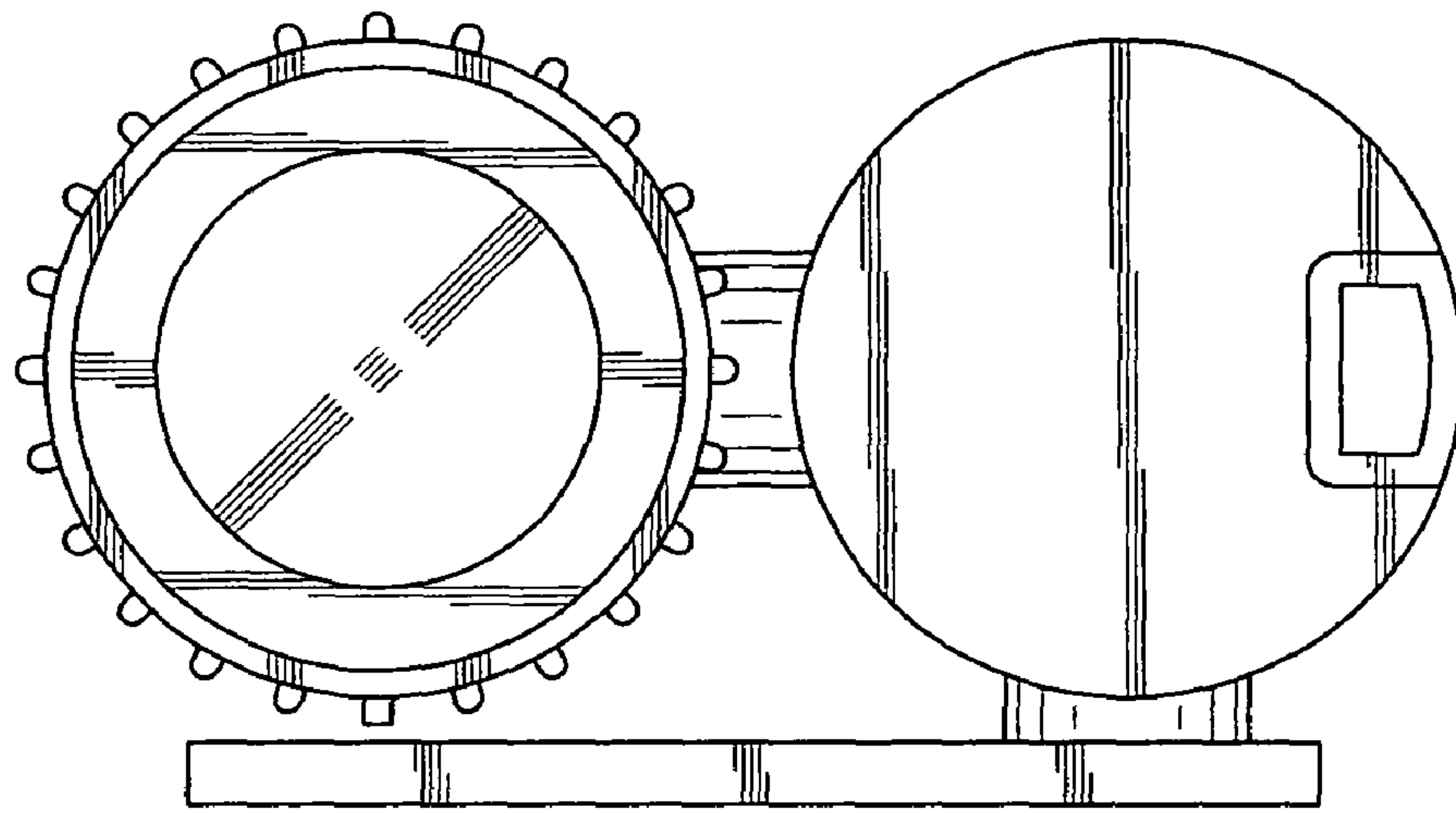


FIG. 6

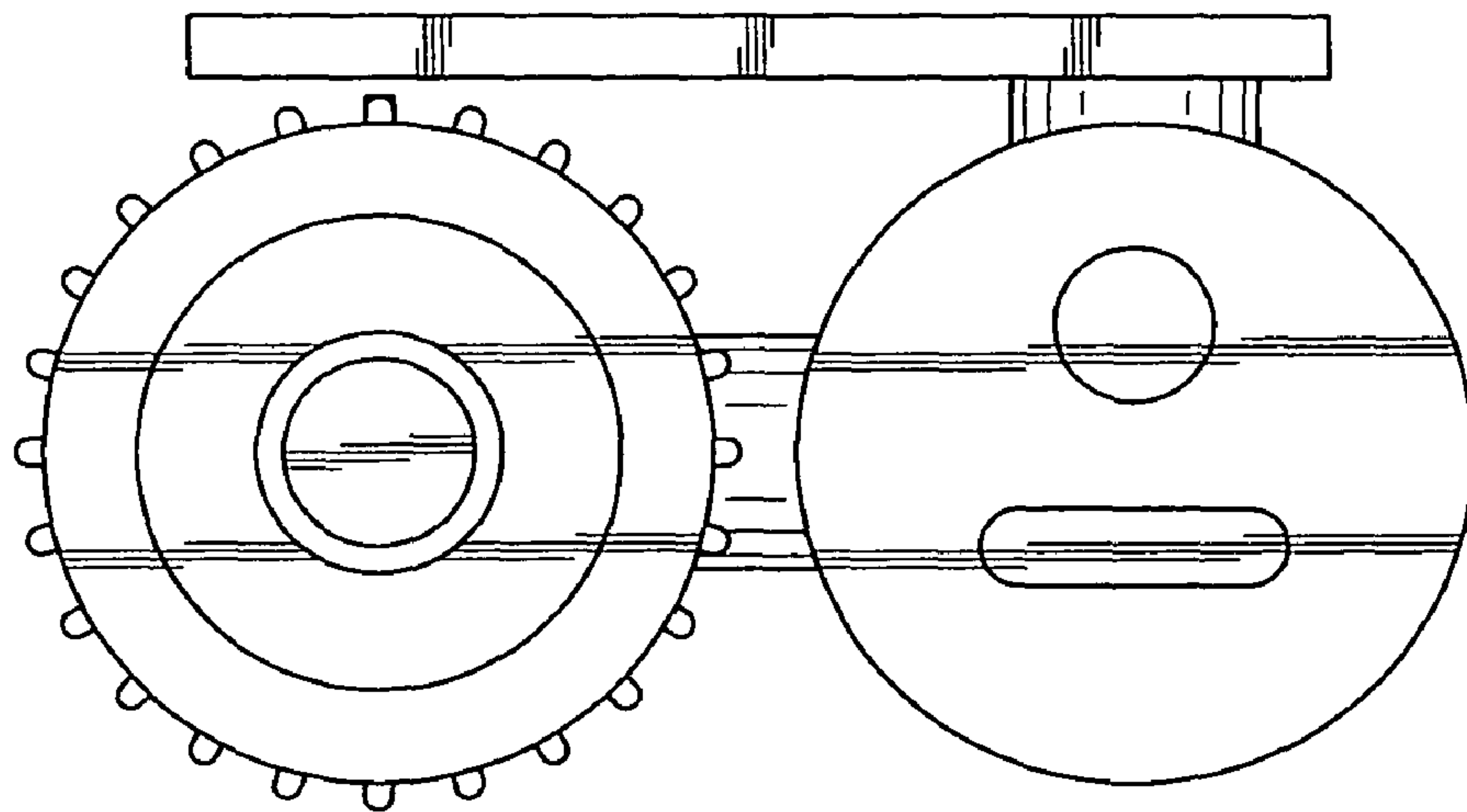


FIG. 7

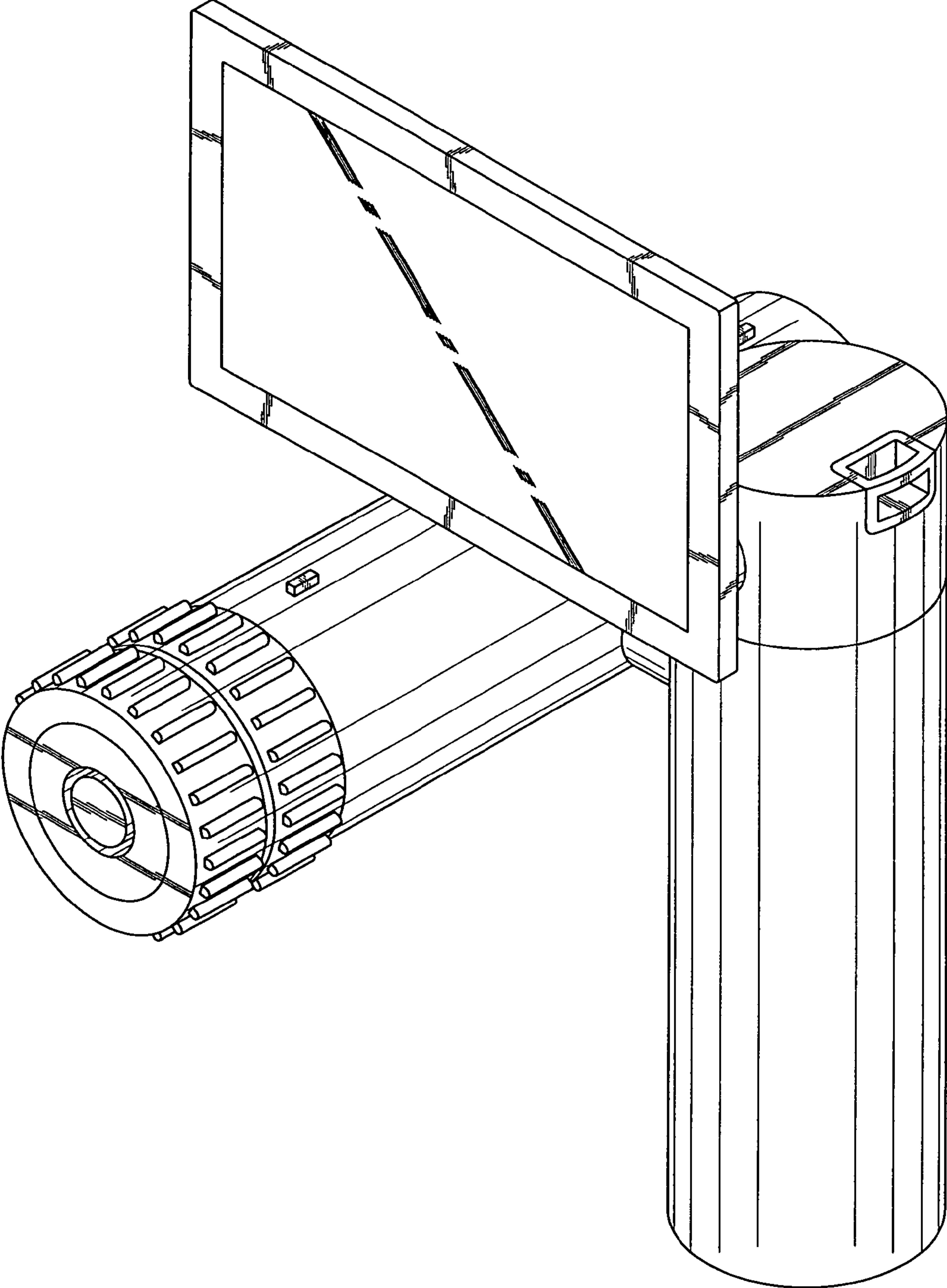


FIG. 8