



US00D631075S

(12) **United States Design Patent**
Liu et al.

(10) **Patent No.:** **US D631,075 S**
(45) **Date of Patent:** **** Jan. 18, 2011**

(54) **LED LENS**

(75) Inventors: **Tay-Jian Liu**, Taipei Hsien (TW); **Lin Yang**, Shenzhen (CN)

(73) Assignee: **Foxconn Technology Co., Ltd.**,
Tucheng, Taipei County (TW)

(**) Term: **14 Years**

(21) Appl. No.: **29/353,025**

(22) Filed: **Dec. 30, 2009**

(51) **LOC (9) Cl.** **16-06**

(52) **U.S. Cl.** **D16/134**

(58) **Field of Classification Search** D16/130,
D16/134, 135, 136, 137, 218, 219, 101; 359/808,
359/811, 813, 814, 819, 927, 362, 824, 642;
362/267, 487

See application file for complete search history.

(56) **References Cited**

U.S. PATENT DOCUMENTS

D26,697	S	*	3/1897	Clafin	D16/101
D145,638	S	*	9/1946	Rosenberg	D16/135
5,739,608	A	*	4/1998	Kim	310/90.5
5,796,154	A	*	8/1998	Sano et al.	257/432
5,848,839	A	*	12/1998	Savage, Jr.	362/267
6,008,955	A	*	12/1999	Nomura et al.	359/719
6,043,940	A	*	3/2000	Kamiyama et al.	359/719
6,078,440	A	*	6/2000	Ueyama	359/824
6,717,738	B2	*	4/2004	Yamada et al.	359/642
6,972,439	B1	*	12/2005	Kim et al.	257/98

7,207,706	B2	*	4/2007	Leu et al.	362/612
7,268,957	B2	*	9/2007	Frenzel et al.	359/811
7,568,824	B2	*	8/2009	Watanabe et al.	362/538
7,612,383	B2	*	11/2009	Andrews et al.	257/98
D611,080	S	*	3/2010	Chen et al.	D16/101
D619,633	S	*	7/2010	Chen et al.	D16/135

* cited by examiner

Primary Examiner—Paula Greene

(74) *Attorney, Agent, or Firm*—Frank R. Niranjana

(57) **CLAIM**

The ornamental design for an LED lens, as shown and described.

DESCRIPTION

FIG. 1 is a perspective view of an LED lens showing our new design.

FIG. 2 is a front elevational view thereof, the rear elevational view being a mirror image of FIG. 2.

FIG. 3 is a left-side, elevational view thereof, the right-side, elevational view being a mirror image of FIG. 3.

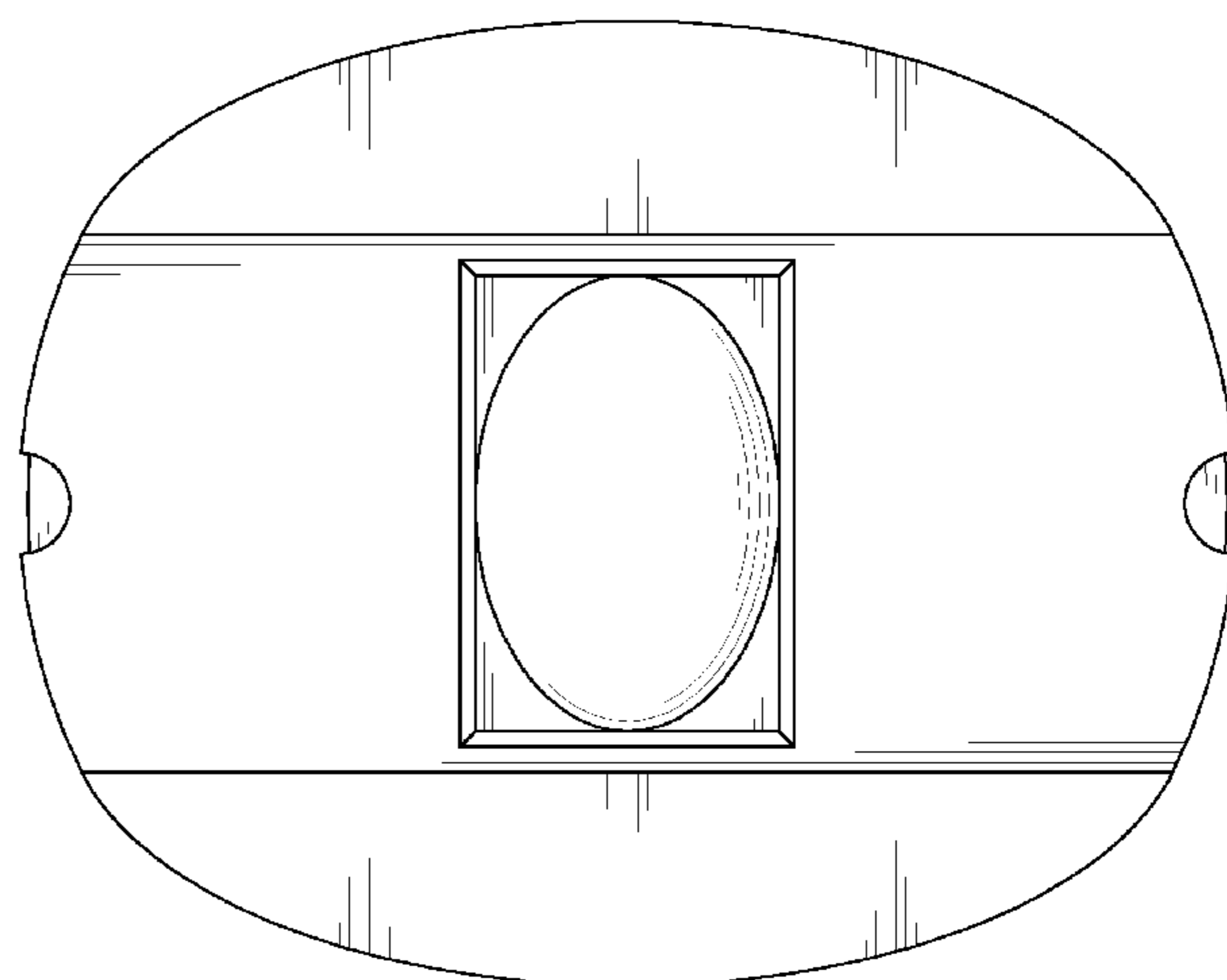
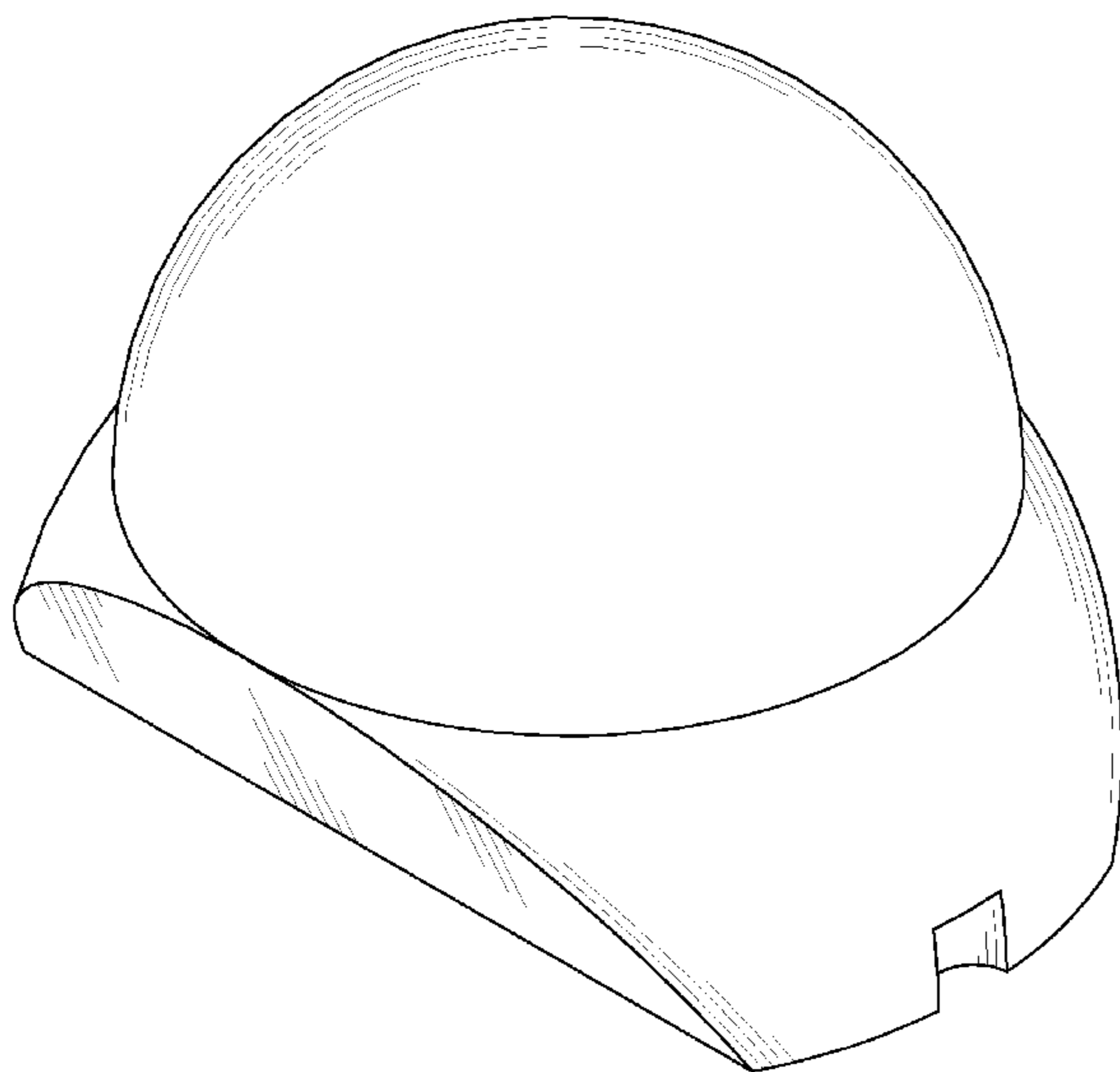
FIG. 4 is a top plan view thereof.

FIG. 5 is a bottom plan view thereof.

FIG. 6 is a cross-sectional view thereof, taken along line 6—6 of FIG. 4; and,

FIG. 7 is a cross-sectional view thereof, taken along line 7—7 of FIG. 4.

1 Claim, 7 Drawing Sheets



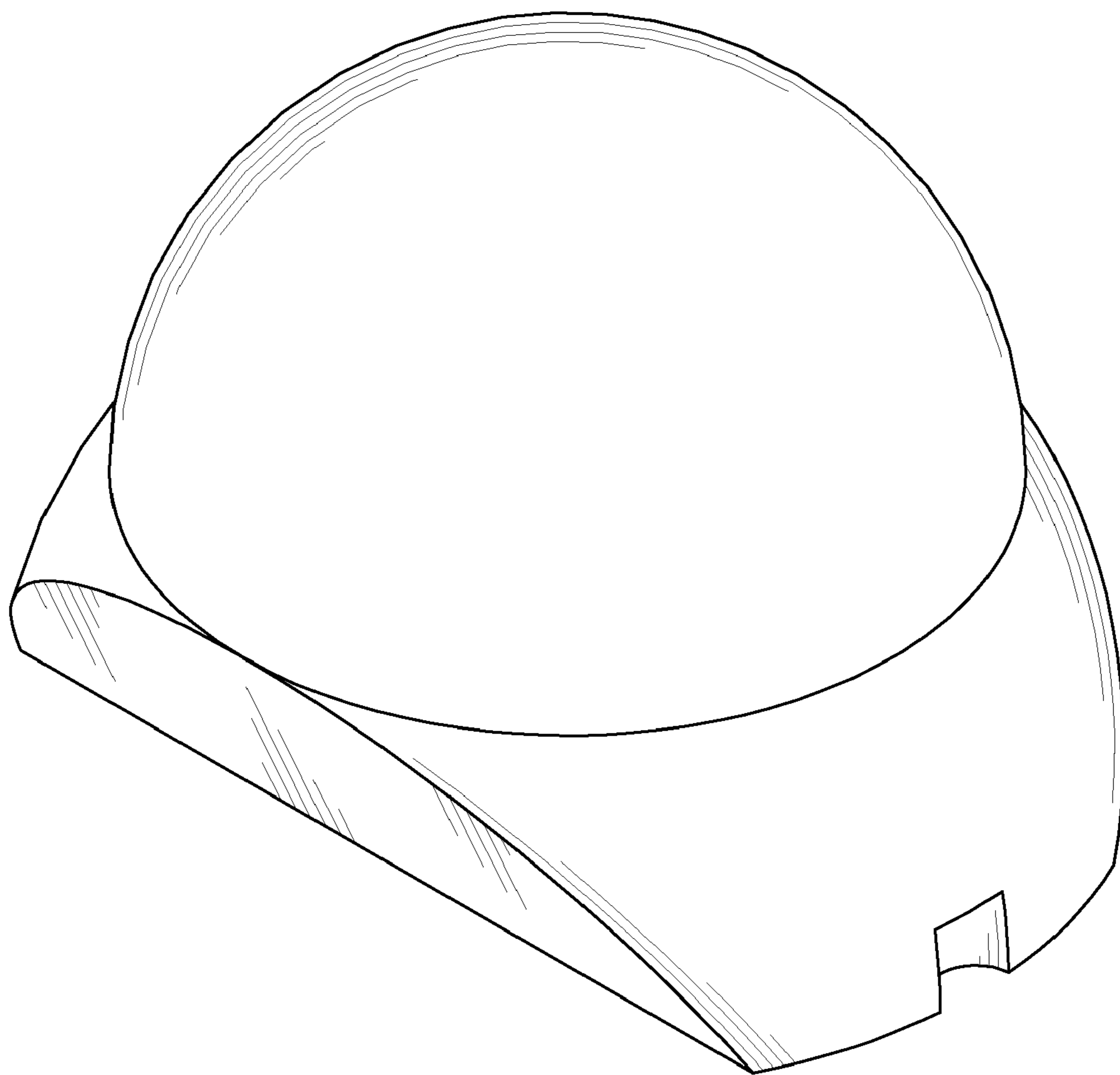


FIG. 1

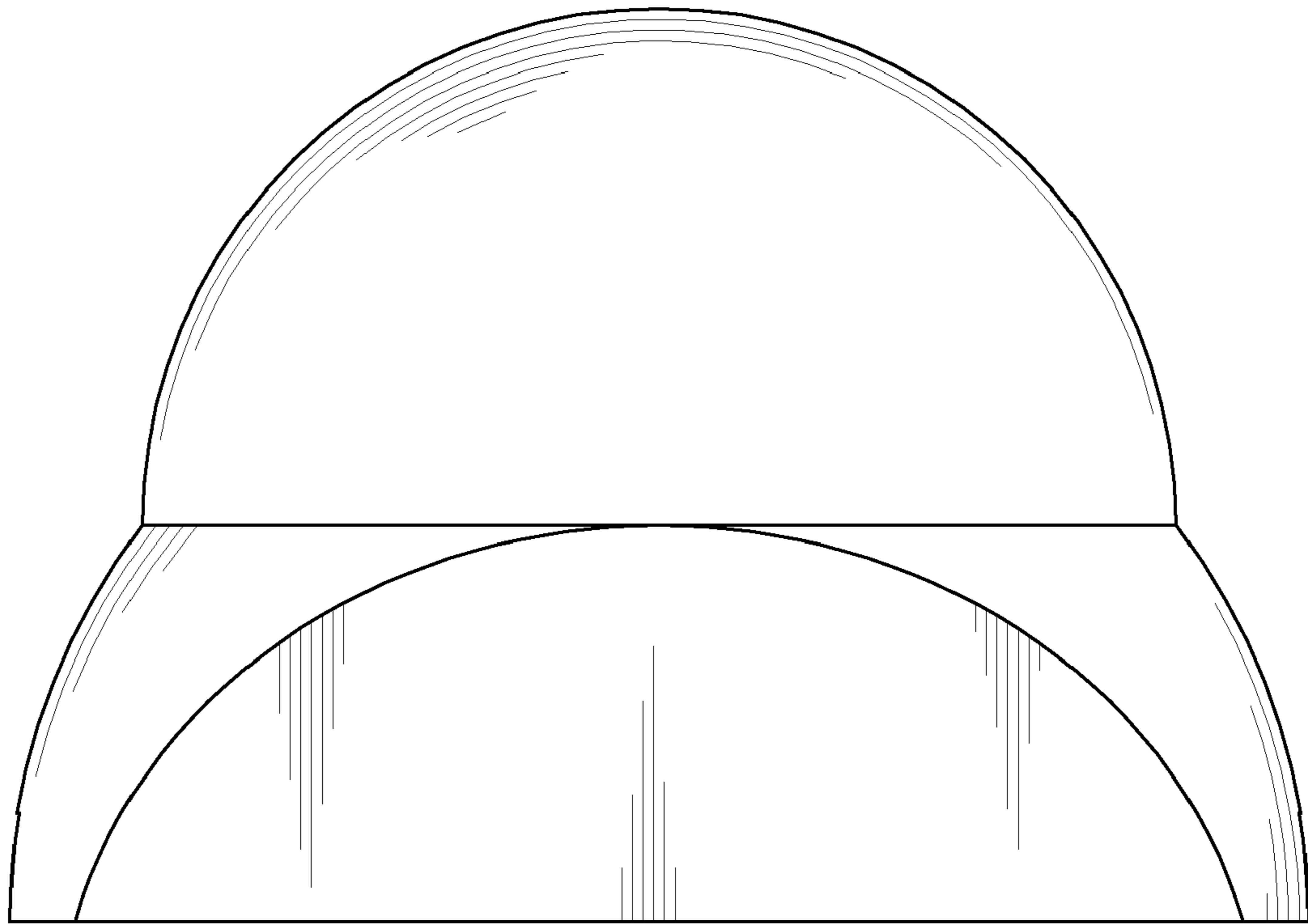


FIG. 2

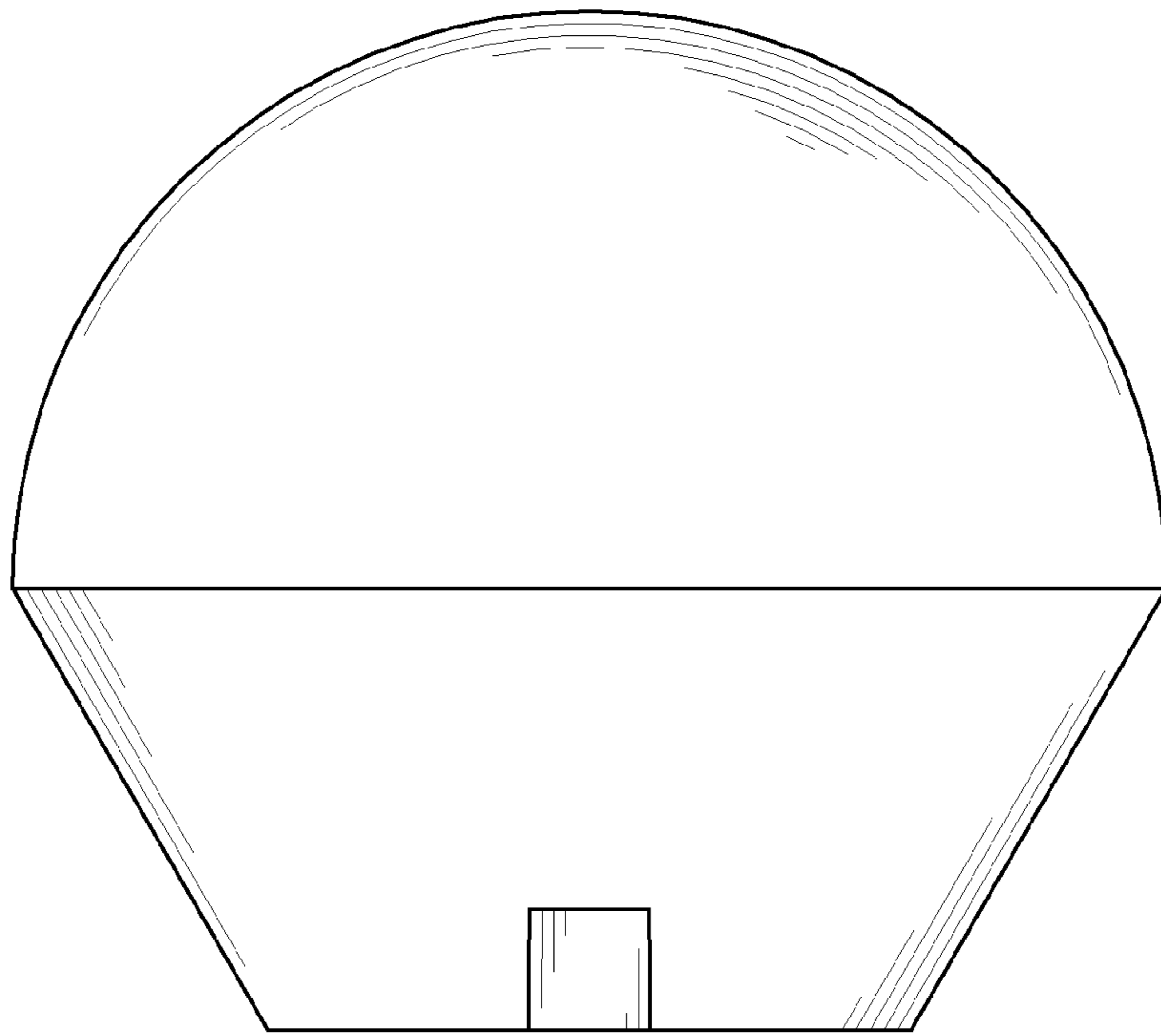


FIG. 3

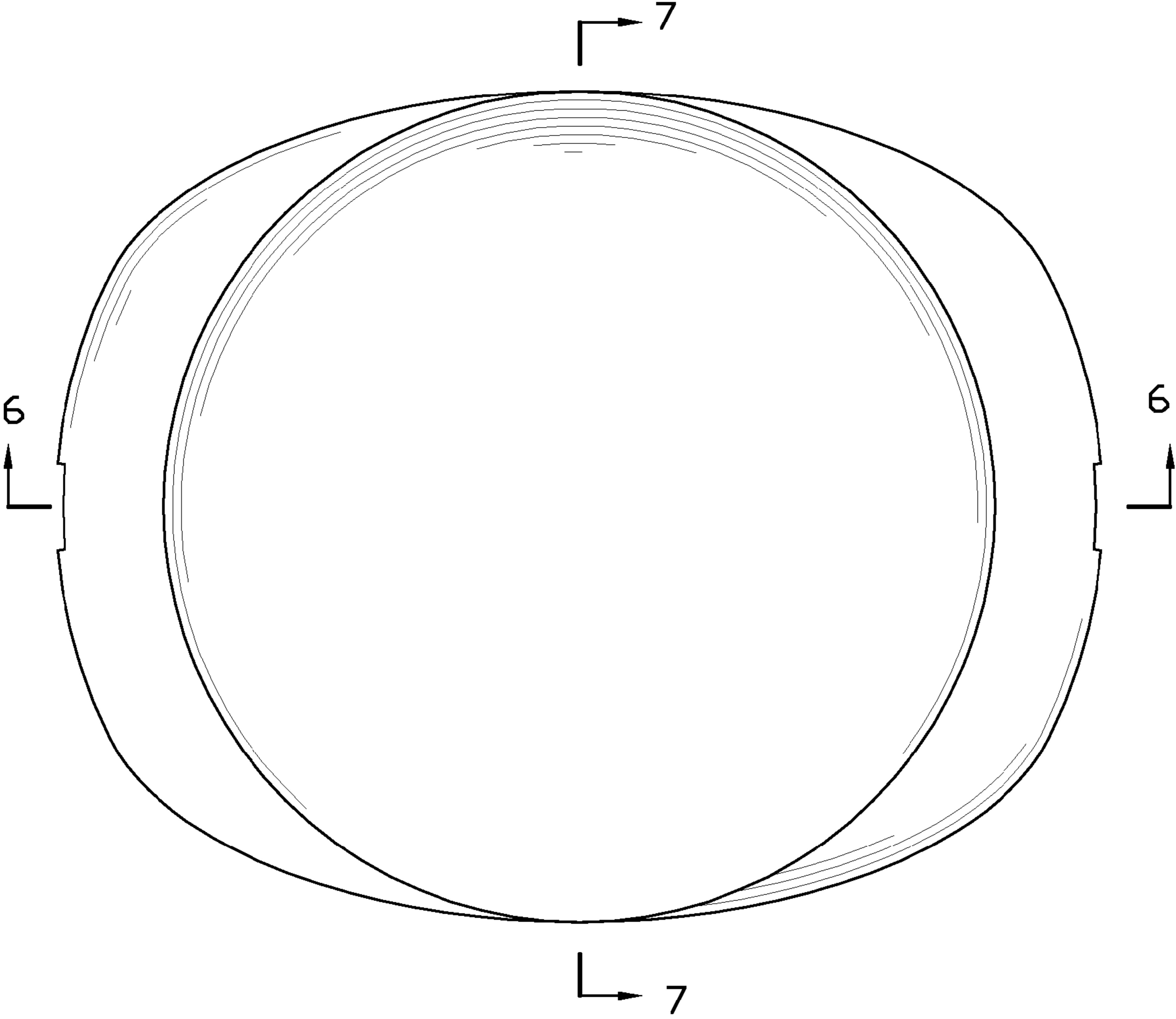


FIG. 4

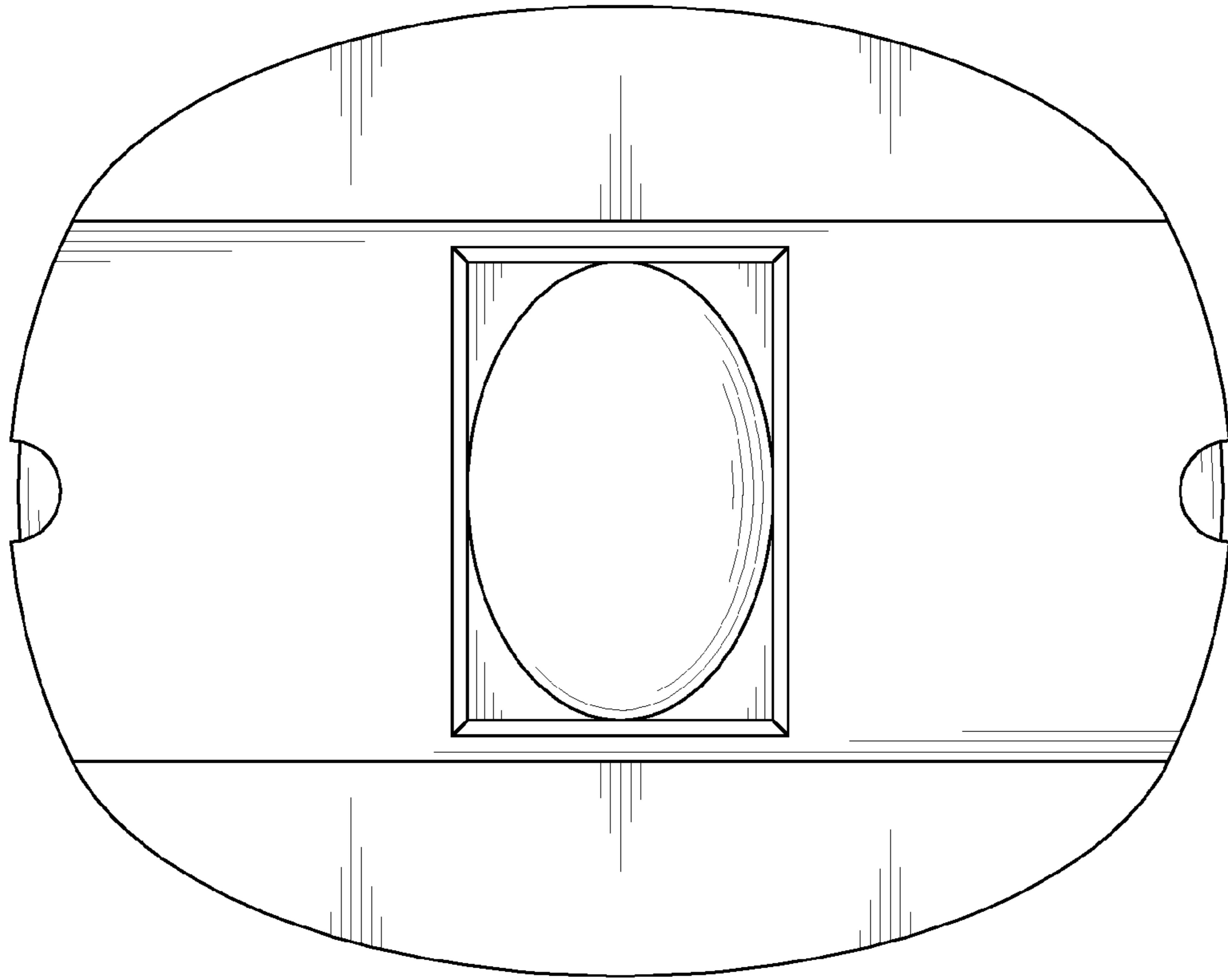


FIG. 5

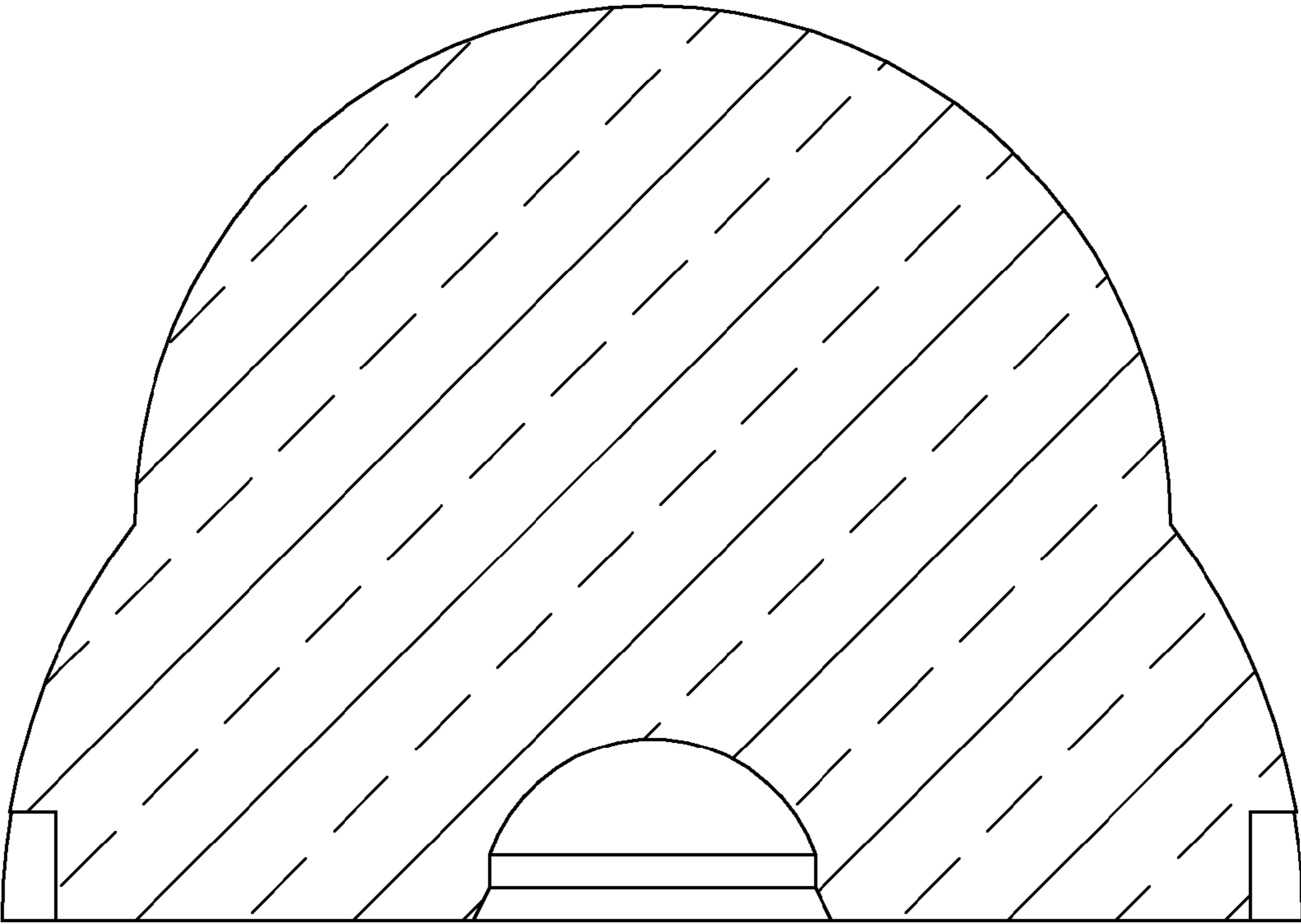


FIG. 6

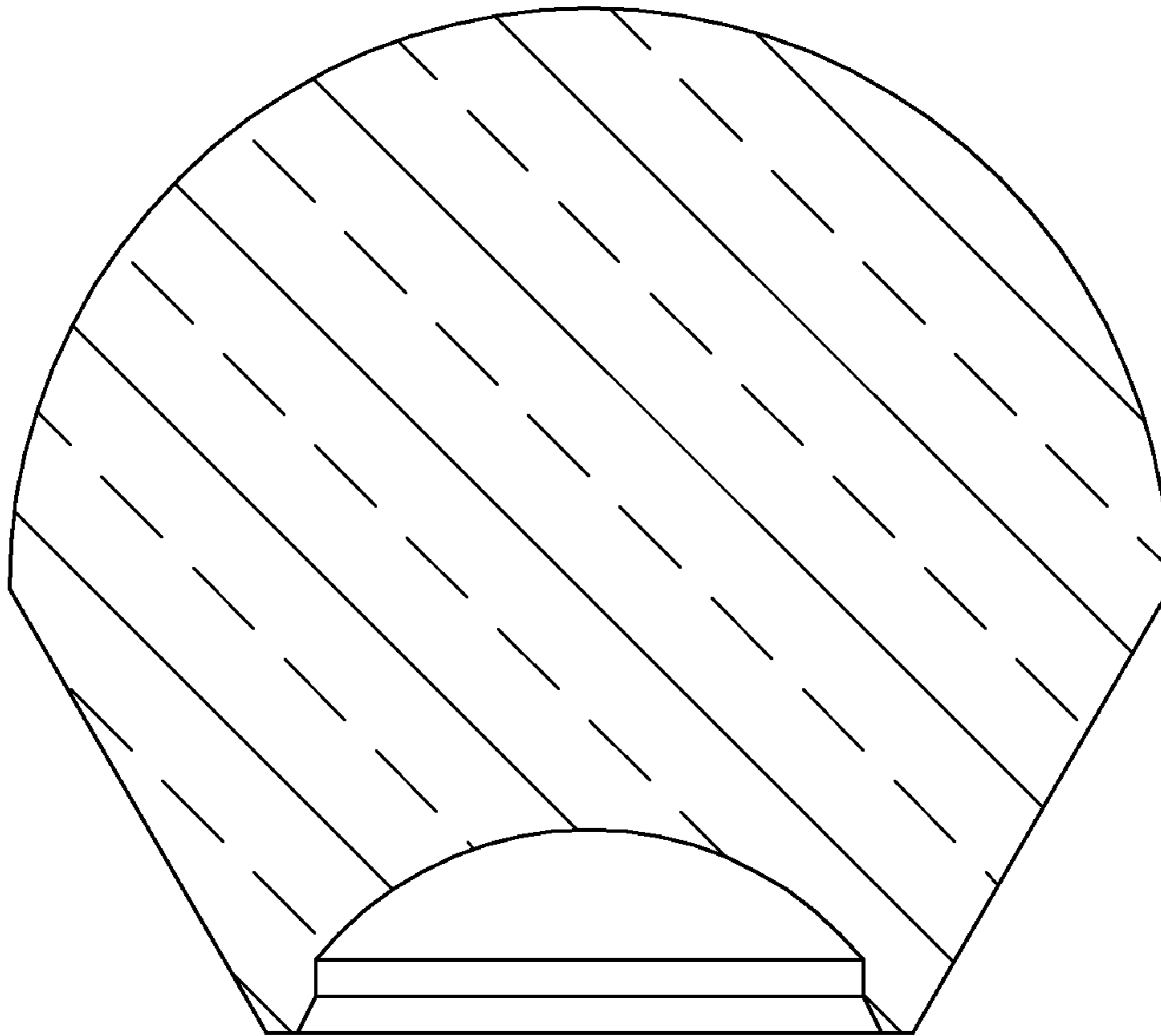


FIG. 7