



US00D631073S

(12) **United States Design Patent**  
**Papa et al.**

(10) **Patent No.:** **US D631,073 S**  
(45) **Date of Patent:** **\*\* Jan. 18, 2011**

(54) **CORE RING FOR USE IN A MOLD STACK**

(75) Inventors: **Renato Papa**, Scarborough (CA); **Derek Robertson McCready**, Mississauga (CA)

(73) Assignee: **Husky Injection Molding Systems Ltd.**, Bolton, Ontario (CA)

(\*\*) Term: **14 Years**

(21) Appl. No.: **29/376,981**

(22) Filed: **Oct. 15, 2010**

**Related U.S. Application Data**

(63) Continuation-in-part of application No. 29/367,708, filed on Aug. 12, 2010, now abandoned.

(51) **LOC (9) Cl.** ..... **15-09**

(52) **U.S. Cl.** ..... **D15/135**

(58) **Field of Classification Search** ..... D8/70; D15/135, 136, 138, 140; 72/252.5, 367.1; 249/59; 264/318, 320, 328.1, 328.9, 328.15, 264/334; 425/438, 548, 549, 552, 562, 564, 425/566, 568, 570, 577, DIG. 58  
See application file for complete search history.

(56) **References Cited**

**U.S. PATENT DOCUMENTS**

2,030,132 A \* 2/1936 Apple et al. .... 425/128  
4,521,179 A \* 6/1985 Gellert ..... 425/548  
4,530,654 A \* 7/1985 Rose ..... 425/566

D359,669 S \* 6/1995 Splingaire ..... D8/29  
D364,882 S \* 12/1995 Junkers ..... D15/199  
6,099,785 A \* 8/2000 Schweigert et al. .... 264/328.1  
D434,291 S \* 11/2000 Kim ..... D8/21  
6,506,330 B1 \* 1/2003 Schweigert et al. .... 264/318  
D570,169 S \* 6/2008 Lin ..... D8/29  
2008/0016933 A1 \* 1/2008 Okamoto et al. .... 72/252.5  
2009/0214694 A1 8/2009 Mai

\* cited by examiner

*Primary Examiner*—Patricia Palasik  
(74) *Attorney, Agent, or Firm*—Husky Intellectual Property Services

(57) **CLAIM**

The ornamental design for a core ring for use in a mold stack, as shown and described.

**DESCRIPTION**

FIG. 1 depicts a top perspective view of the core ring for use in a mold stack;

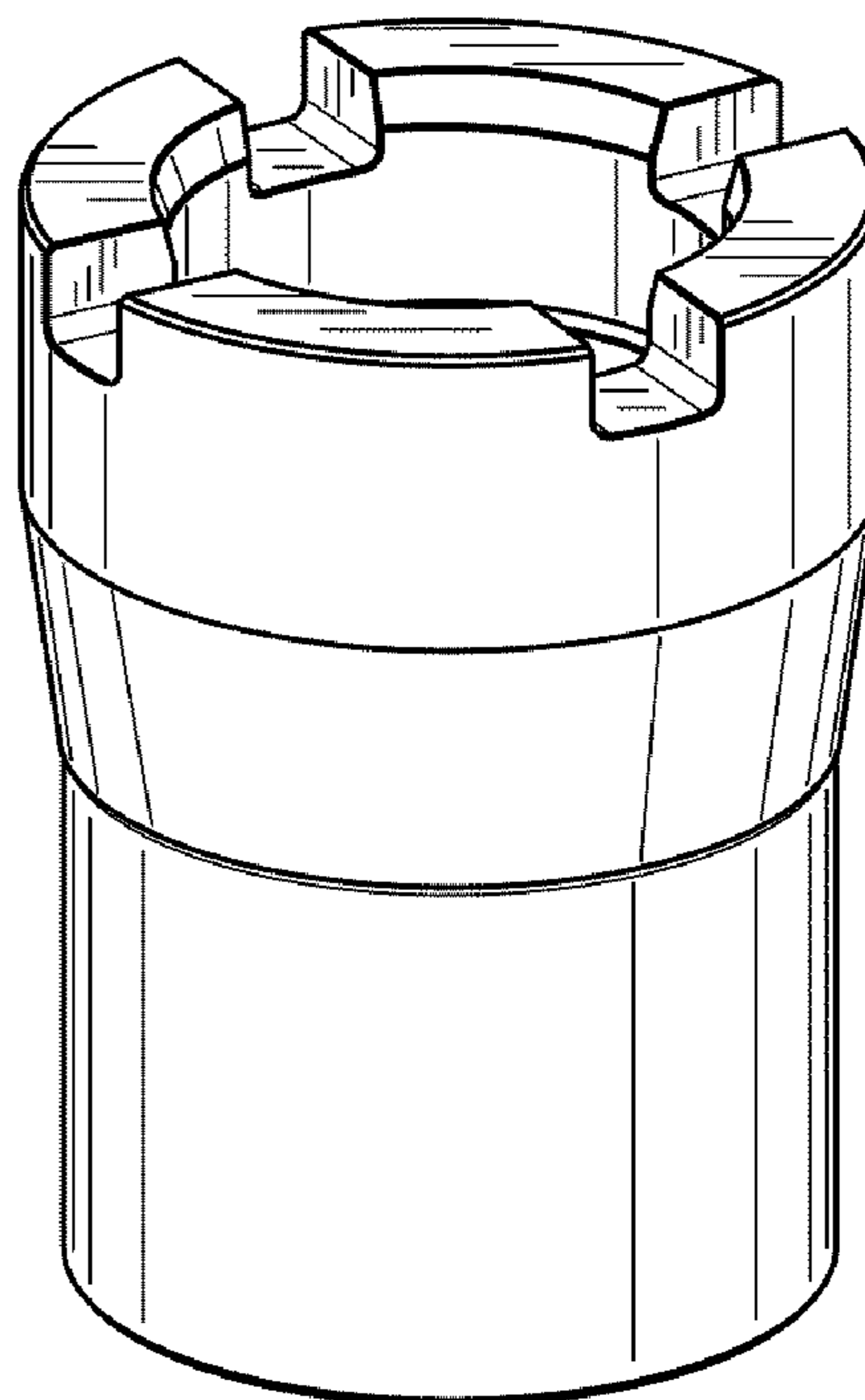
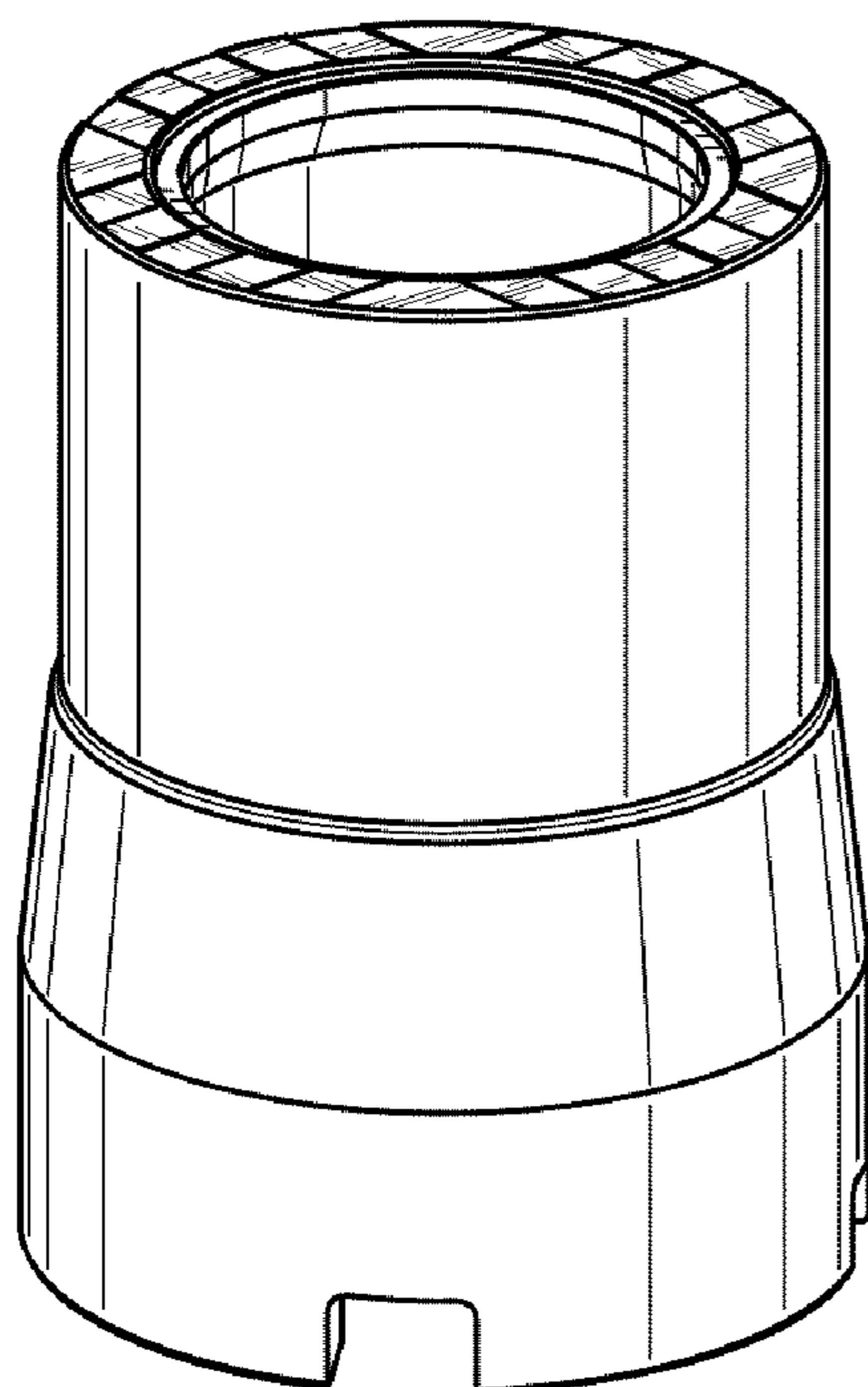
FIG. 2 depicts a bottom perspective view of the core ring for use in a mold stack of FIG. 1;

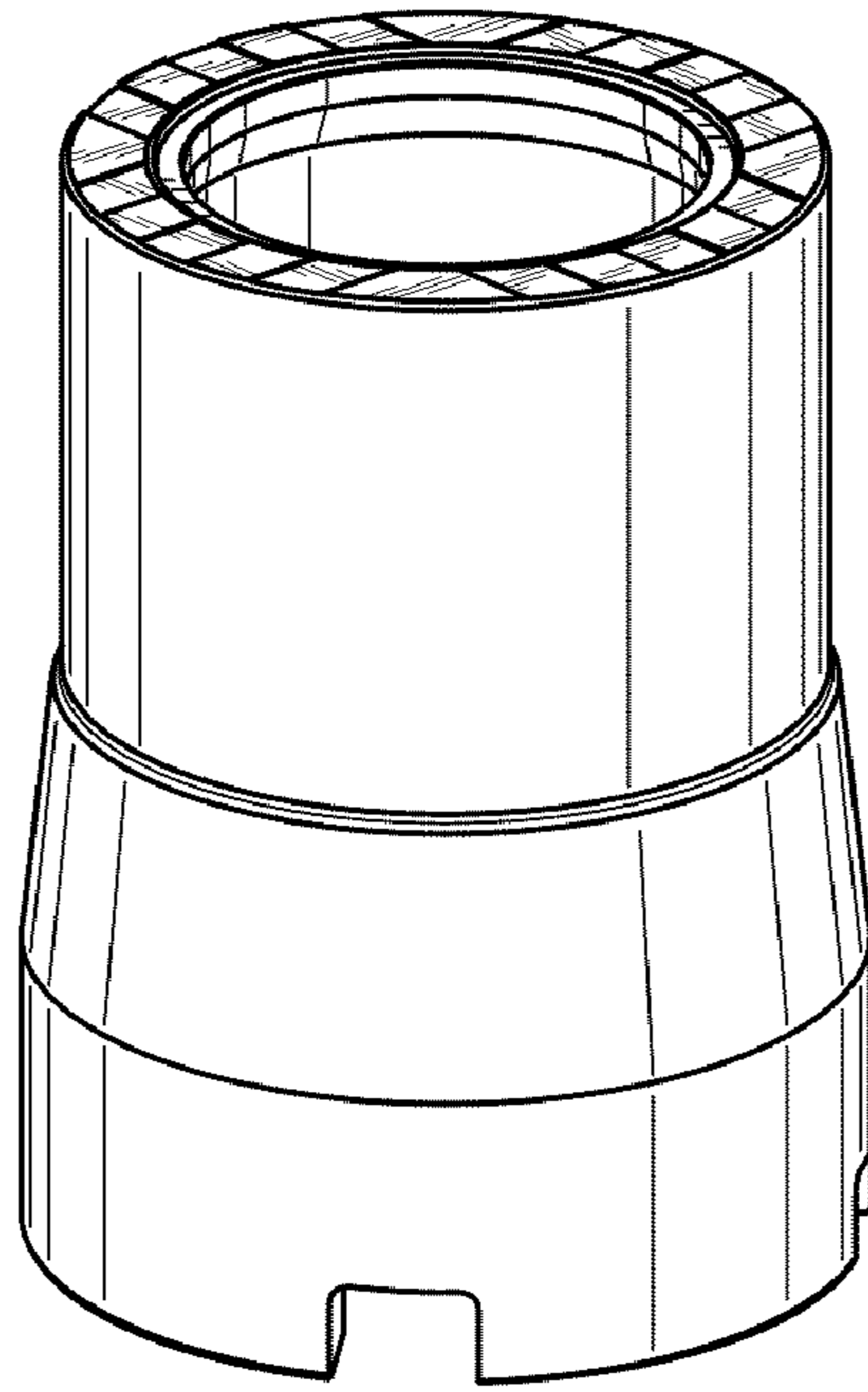
FIG. 3 depicts a side view of the core ring for use in a mold stack of FIG. 1;

FIG. 4 depicts a top view of the core ring for use in a mold stack of FIG. 1; and,

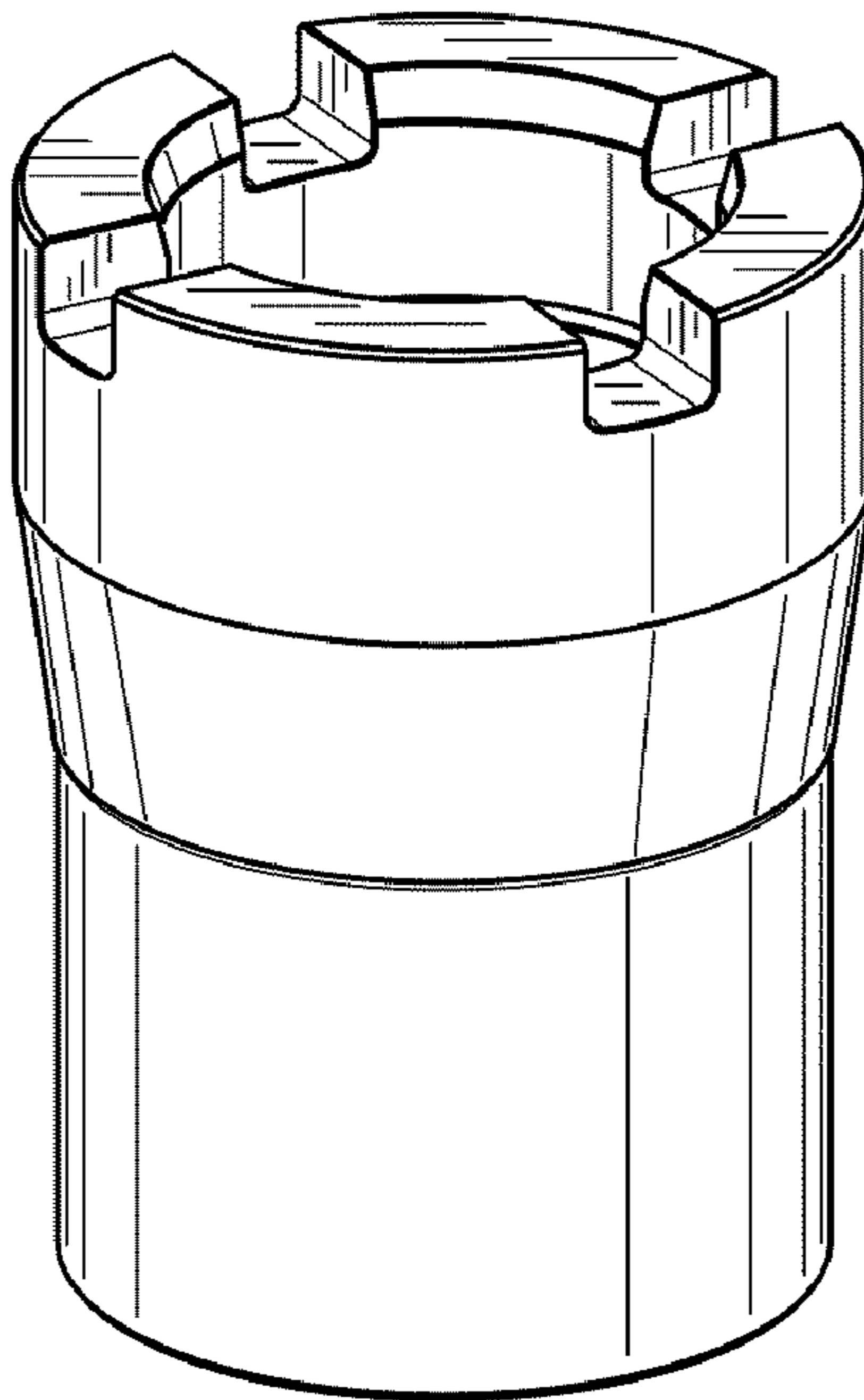
FIG. 5 depicts a top view of the core ring for use in a mold stack of FIG. 1.

**1 Claim, 2 Drawing Sheets**

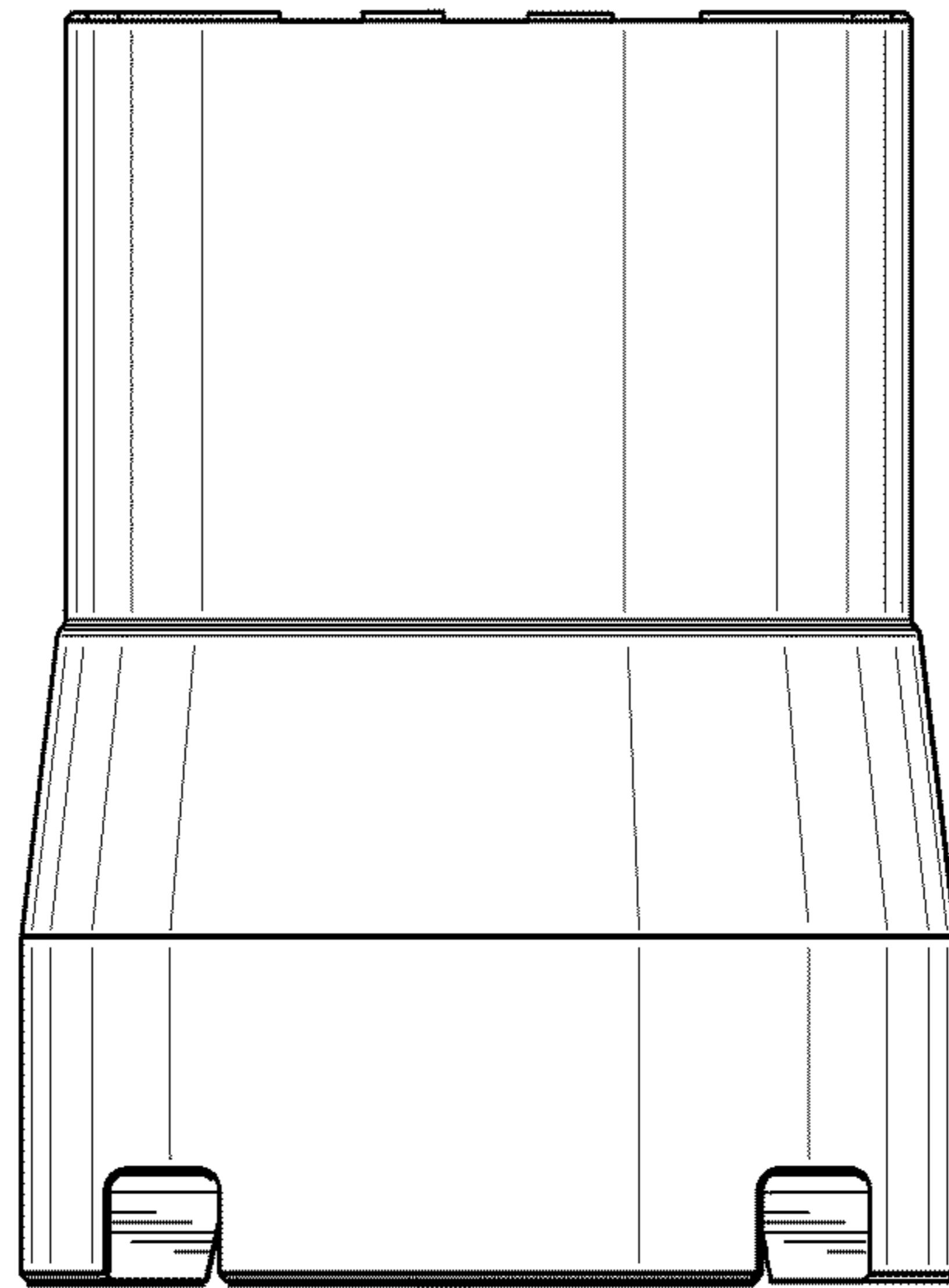




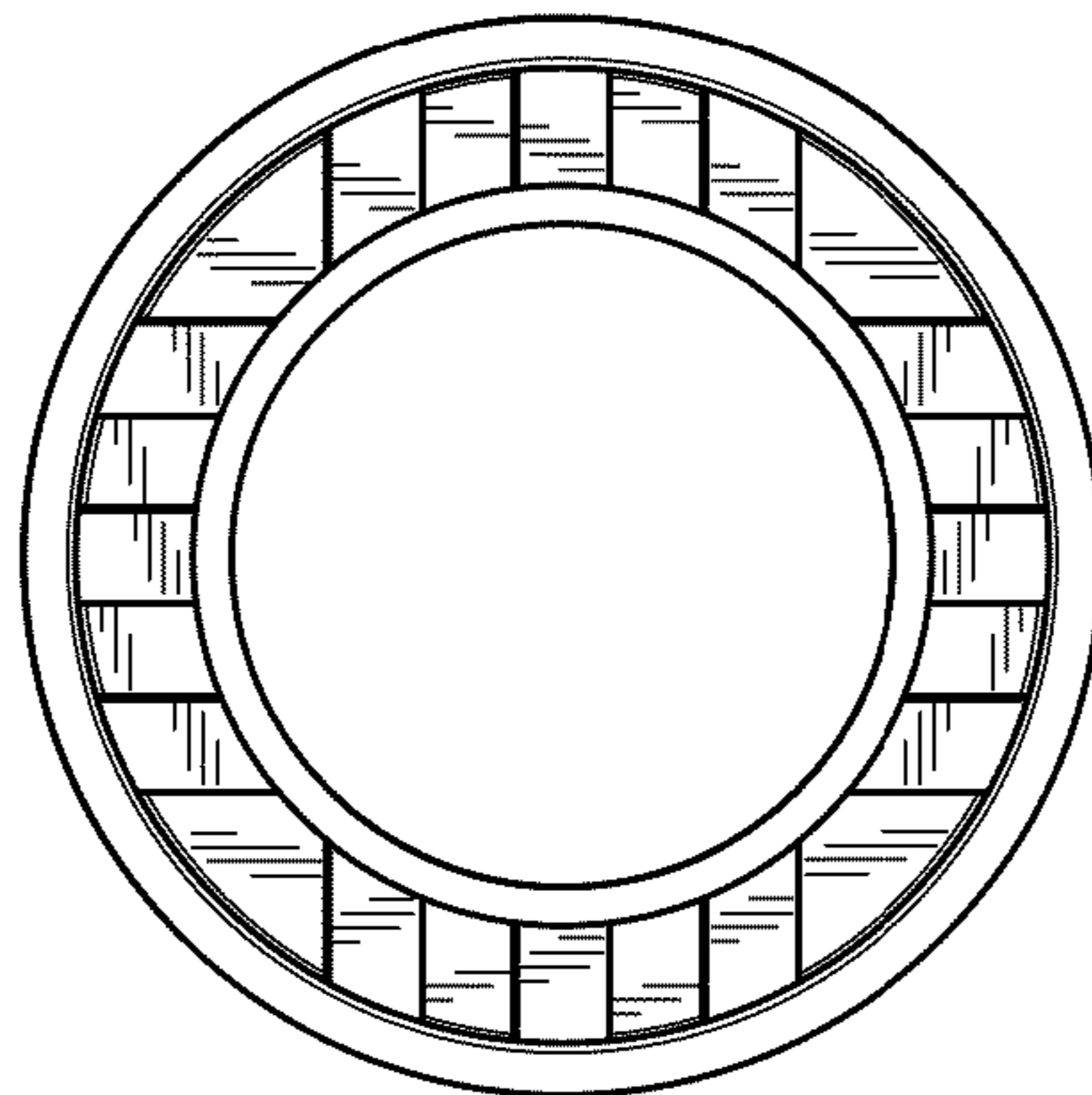
**FIG. 1**



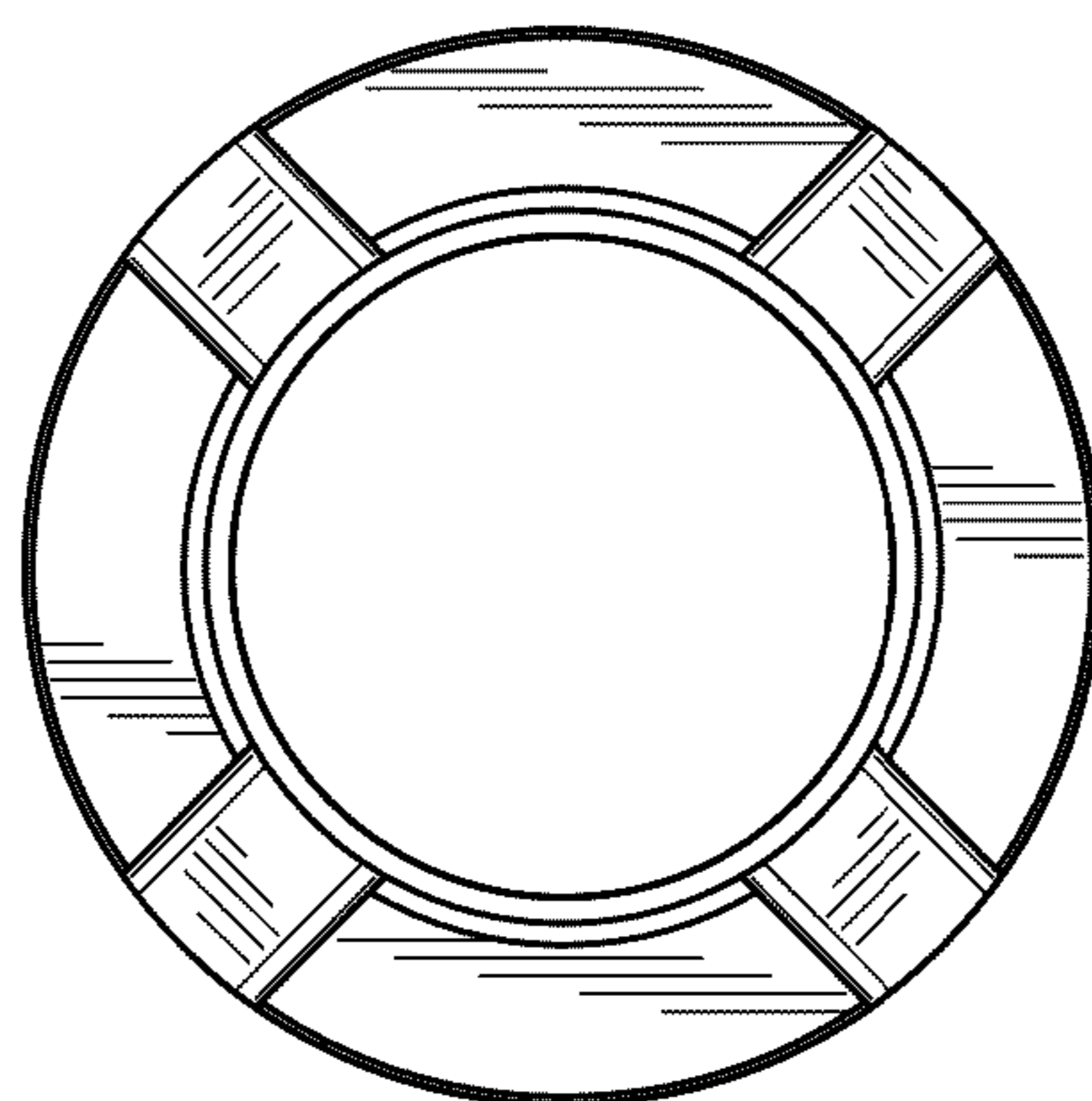
**FIG. 2**



**FIG. 3**



**FIG. 4**



**FIG. 5**