



US00D631072S

(12) **United States Design Patent**  
**Curry**

(10) **Patent No.:** **US D631,072 S**

(45) **Date of Patent:** **\*\* Jan. 18, 2011**

(54) **BANDSAW BLADE GUIDE**

(75) Inventor: **William P. Curry**, Hampshire, IL (US)

(73) Assignee: **Walter Meier (Manufacturing) Inc.**, La Vergne, TN (US)

(\*\*) Term: **14 Years**

(21) Appl. No.: **29/323,349**

(22) Filed: **Aug. 22, 2008**

(51) **LOC (9) Cl.** ..... **15-09**

(52) **U.S. Cl.** ..... **D15/134**

(58) **Field of Classification Search** ..... D8/64,  
D8/66; D15/133, 134; 83/62.1, 72, 76.7,  
83/571, 748, 750, 788, 809-820

See application file for complete search history.

(56) **References Cited**

**U.S. PATENT DOCUMENTS**

D110,915	S	*	8/1938	Wilkie	.....	D15/134
D149,203	S	*	4/1948	Meeker et al.	.....	D7/385
D150,958	S	*	9/1948	Karp	.....	D7/385
D164,649	S	*	9/1951	Ocenasek	.....	D15/134
2,579,955	A	*	12/1951	Orescan	.....	83/100
D183,459	S	*	9/1958	Lasar	.....	D7/385
2,850,055	A	*	9/1958	Lasar	.....	269/309
D185,061	S	*	5/1959	Brennan	.....	D15/134
4,372,185	A	*	2/1983	Pila	.....	83/101
D286,537	S	*	11/1986	Yamamoto	.....	D15/134
D300,934	S	*	5/1989	Arehart	.....	D15/134
D301,719	S	*	6/1989	Wodli	.....	D15/134
D323,835	S	*	2/1992	Leu	.....	D15/133
D336,653	S	*	6/1993	Baird et al.	.....	D15/134
D345,171	S	*	3/1994	Watanabe et al.	.....	D15/134
D389,495	S	*	1/1998	Chung	.....	D15/134
D434,049	S	*	11/2000	Brazell	.....	D15/134
D442,611	S	*	5/2001	Krohmer et al.	.....	D15/133
D478,602	S	*	8/2003	Lee	.....	D15/134
D488,490	S	*	4/2004	Wang	.....	D15/134
D520,032	S	*	5/2006	Nortmann et al.	.....	D15/133

D564,546	S	*	3/2008	Leasure et al.	.....	D15/134
2004/0154454	A1	*	8/2004	Lee	.....	83/788
2007/0137456	A1	*	6/2007	Liao	.....	83/788
2007/0289424	A1	*	12/2007	Jan	.....	83/452
2008/0028909	A1	*	2/2008	Lin	.....	83/820

**OTHER PUBLICATIONS**

WMH Tool Group, Operating Instructions and Parts Manual 14-inch Woodworking Band Saw Models: JWBS-14OS, JWBS-14CS, Revision A, Nov. 2003, 32 pp.

WMH Tool Group, Operating Instructions and Parts Manual 14-inch Woodworking Band Saw Model: JWBS-14OS, Revision A1, May 2005, 27 pp.

Bird, Lonnie, The Bandsaw Book, excerpts, 1999, 11 pp.

\* cited by examiner

*Primary Examiner*—Patricia Palasik

(74) *Attorney, Agent, or Firm*—Schiff Hardin LLP

(57) **CLAIM**

I claim the ornamental design for a bandsaw blade guide, as shown and described.

**DESCRIPTION**

FIG. 1 is a perspective view of a bandsaw blade guide in accordance with our new design, the broken lines of which are for illustrative purposes only and form no part of the claimed design;

FIG. 2 is a right side elevation view of the bandsaw blade guide of FIG. 1;

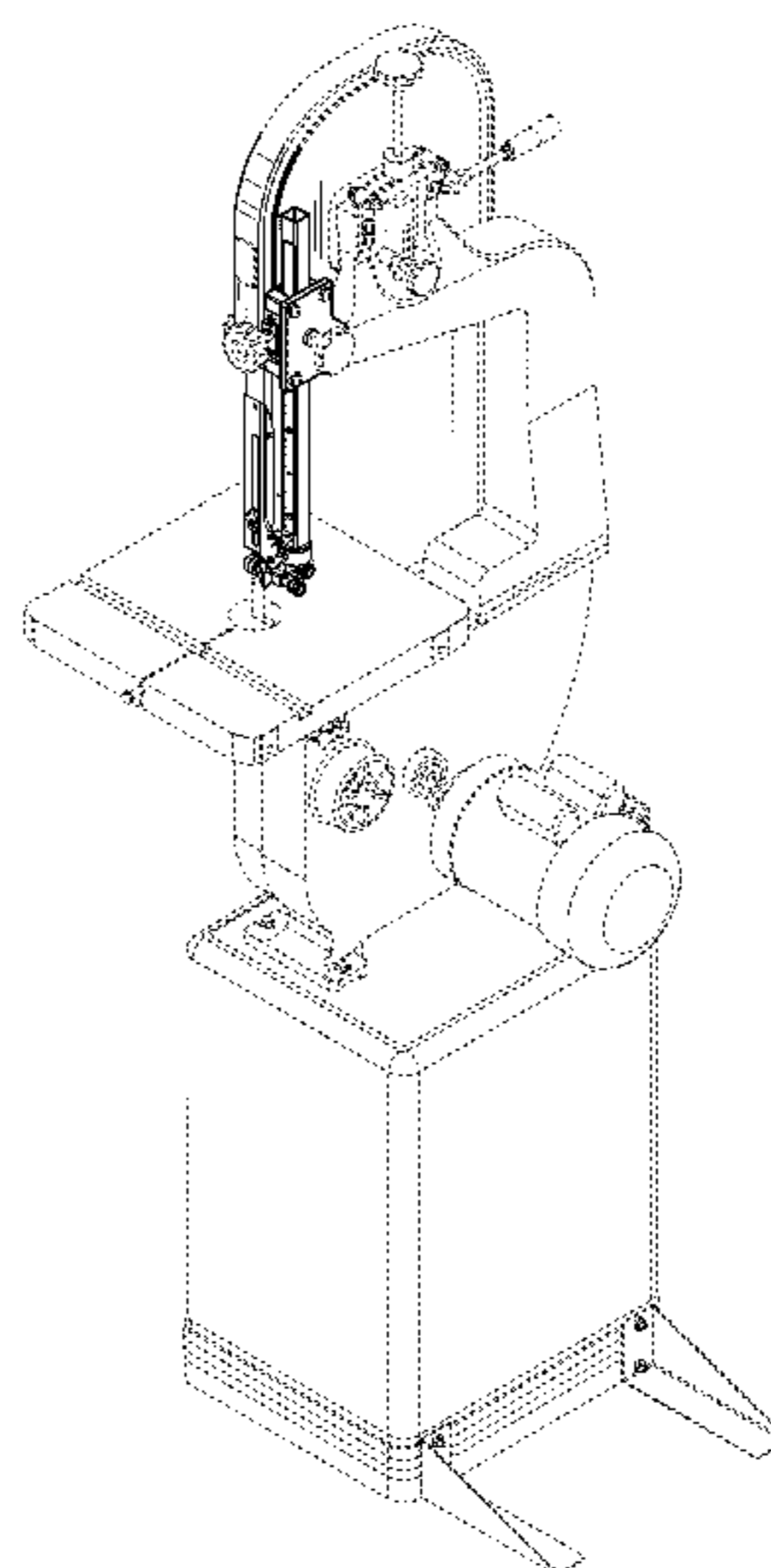
FIG. 3 is a left side elevation view of the bandsaw blade guide of FIG. 1;

FIG. 4 is a rear elevation view of the bandsaw blade guide of FIG. 1;

FIG. 5 is a front elevation view of the bandsaw blade guide of FIG. 1; and,

FIG. 6 is a top view of the bandsaw blade guide of FIG. 1.

**1 Claim, 6 Drawing Sheets**



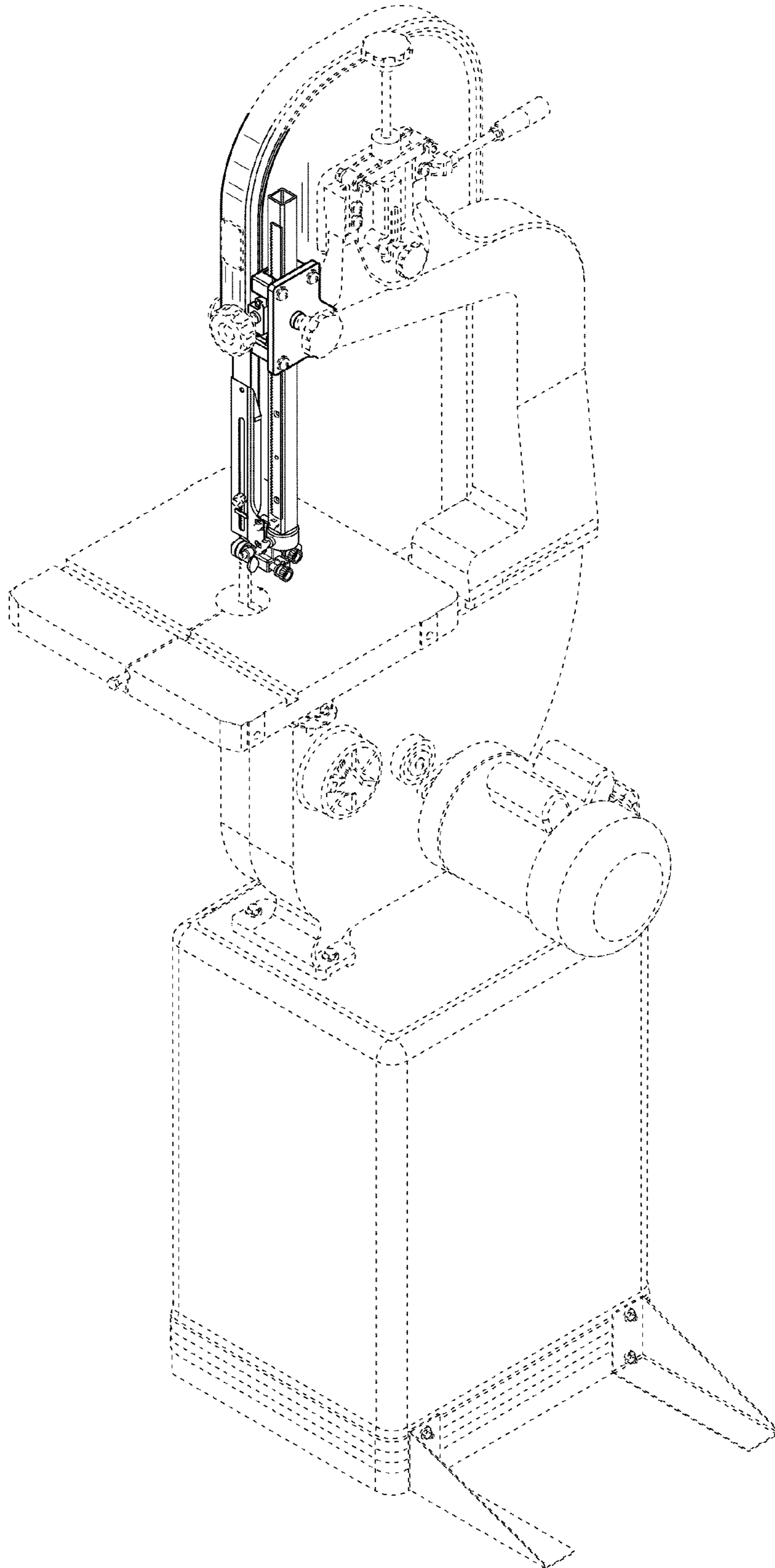


FIG. 1

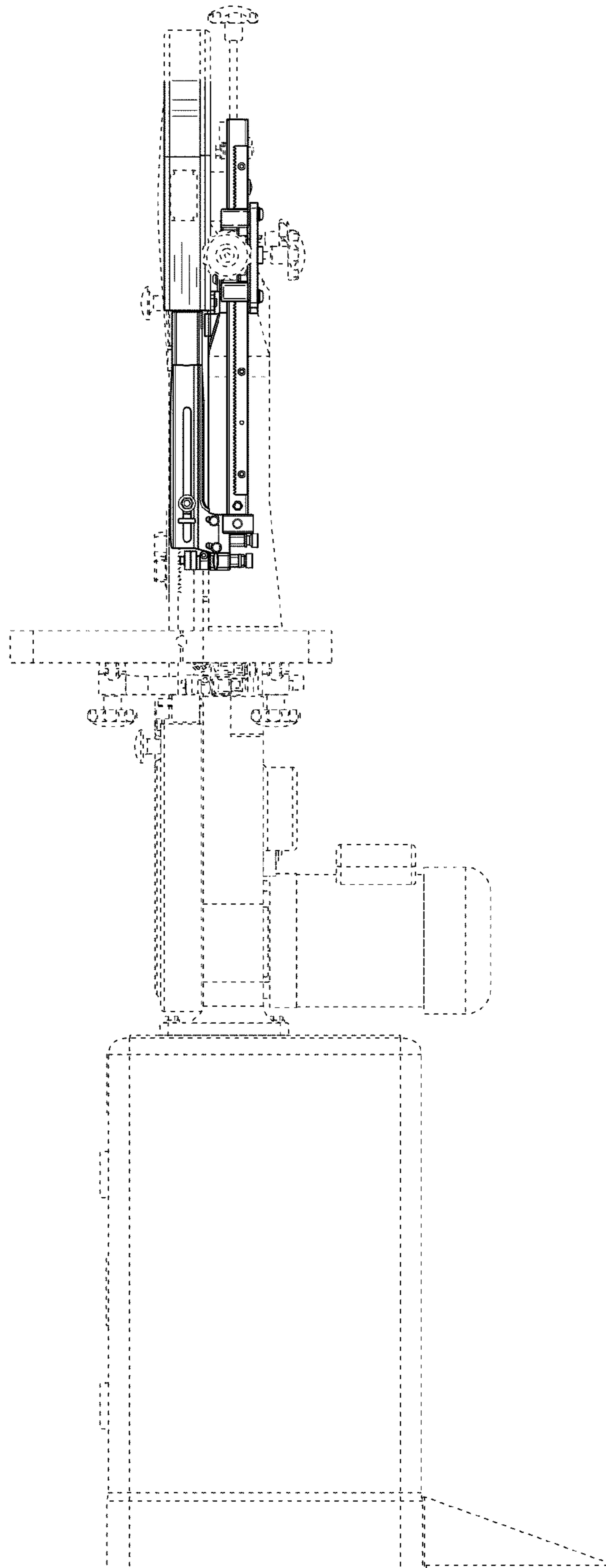


FIG. 2

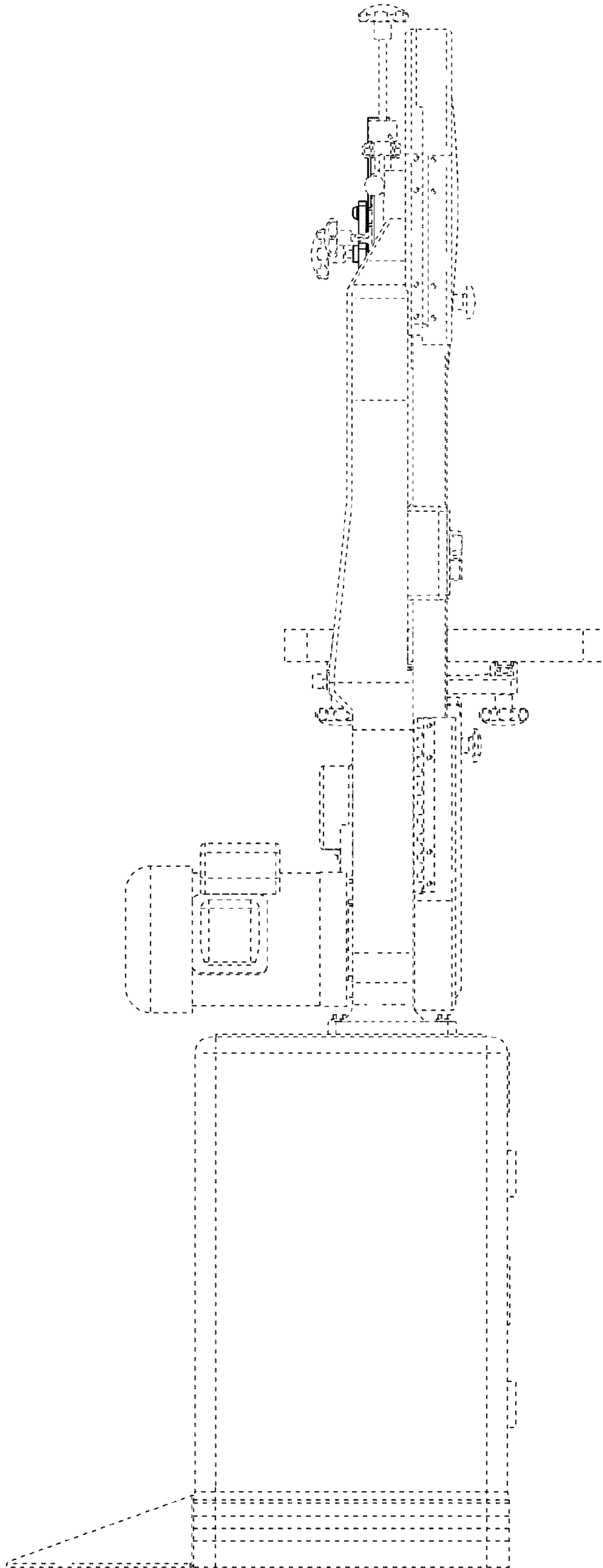


FIG. 3

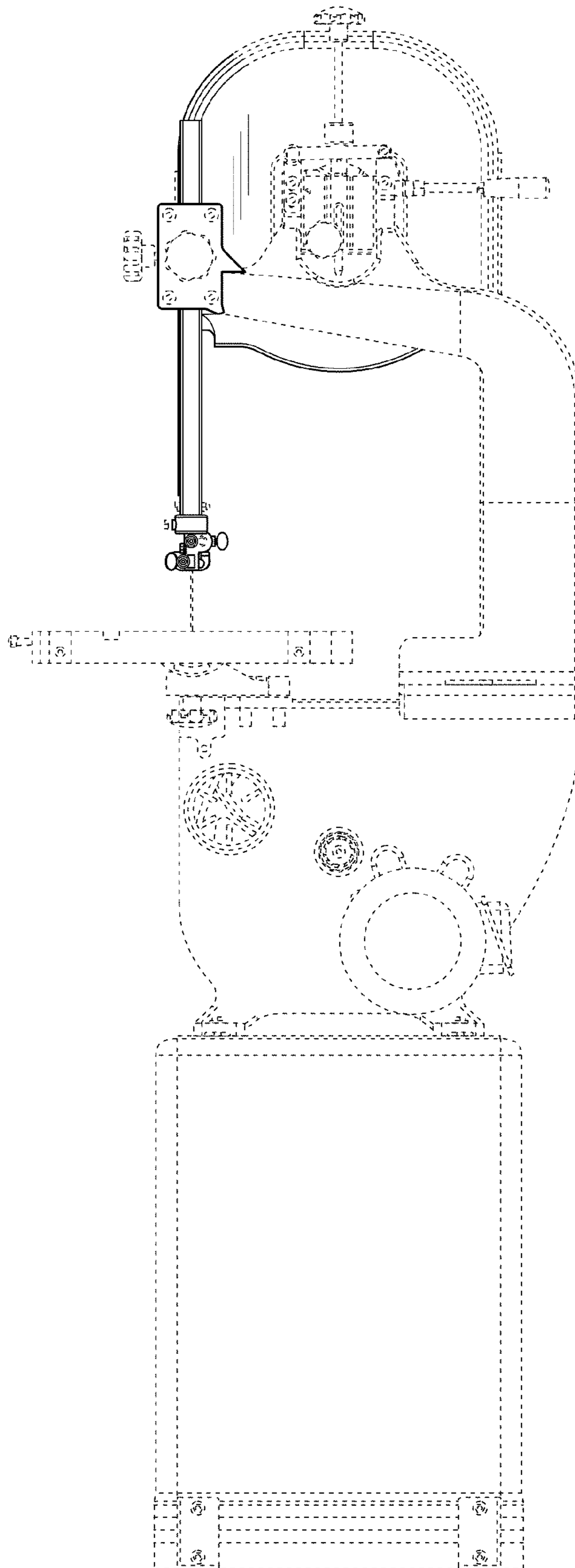


FIG. 4





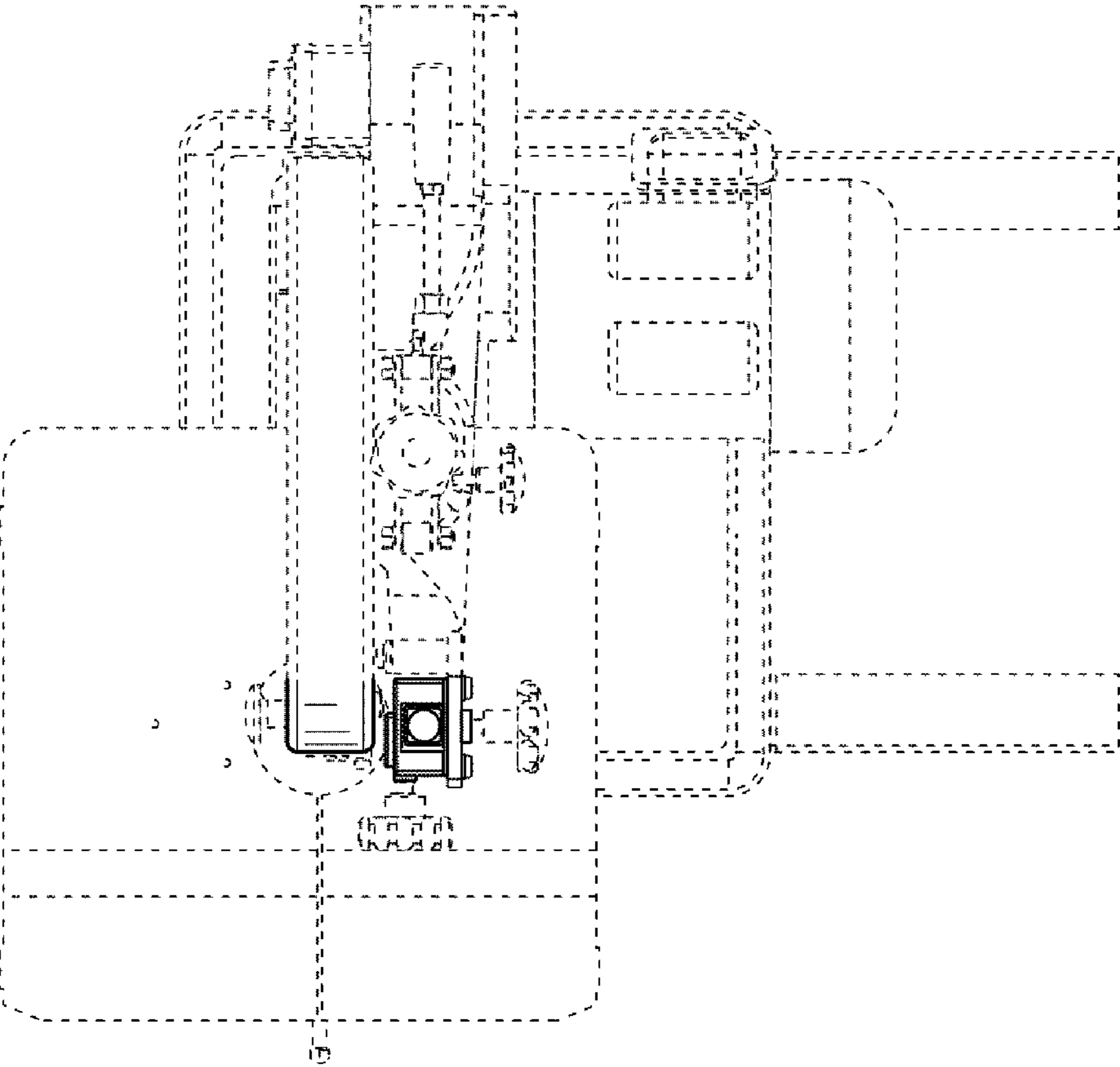


FIG. 6