



US00D631071S

(12) **United States Design Patent**
Curry

(10) **Patent No.:** **US D631,071 S**
(45) **Date of Patent:** **** Jan. 18, 2011**

(54) **BANDSAW FRAME**

D434,049 S * 11/2000 Brazell D15/134
D442,611 S * 5/2001 Krohmer et al. D15/133

(75) Inventor: **William P. Curry**, Hampshire, IL (US)

(Continued)

(73) Assignee: **Walter Meier (Manufacturing) Inc.**, La Vergne, TN (US)

OTHER PUBLICATIONS

WMH Tool Group, Operating Instructions and Parts Manual 14-inch Woodworking Band Saw Models: JWBS-14OS, JWBS-14CS, Revision A, Nov. 2003, 32 pp.

(**) Term: **14 Years**

(Continued)

(21) Appl. No.: **29/323,346**

(22) Filed: **Aug. 22, 2008**

Primary Examiner—Patricia Palasik

(74) *Attorney, Agent, or Firm*—Schiff Hardin LLP

(51) **LOC (9) Cl.** **15-09**

(52) **U.S. Cl.** **D15/134**

(58) **Field of Classification Search** D8/64,
D8/66; D15/133, 134; 83/62.1, 72, 76.7,
83/571, 748, 750, 788, 809–820

See application file for complete search history.

(57) **CLAIM**

I claim the ornamental design for a bandsaw frame, as shown and described.

(56) **References Cited**

DESCRIPTION

U.S. PATENT DOCUMENTS

D110,915 S *	8/1938	Wilkie	D15/134
D149,203 S *	4/1948	Meeker et al.	D7/385
D150,958 S *	9/1948	Karp	D7/385
D164,649 S *	9/1951	Ocenasek	D15/134
2,579,955 A *	12/1951	Orescan	83/100
D183,459 S *	9/1958	Lasar	D7/385
2,850,055 A *	9/1958	Lasar	269/309
D185,061 S *	5/1959	Brennan	D15/134
4,372,185 A *	2/1983	Pila	83/101
D286,537 S *	11/1986	Yamamoto	D15/134
D300,934 S *	5/1989	Arehart	D15/134
D301,719 S *	6/1989	Wodli	D15/134
D323,835 S *	2/1992	Leu	D15/133
D336,653 S *	6/1993	Baird et al.	D15/134
D345,171 S *	3/1994	Watanabe et al.	D15/134
D389,495 S *	1/1998	Chung	D15/134

FIG. 1 is a perspective view of a bandsaw frame in accordance with our new design, the broken lines of the bandsaw frame are for illustrative purposes only and form no part of the claimed design;

FIG. 2 is a right side elevation view of the bandsaw frame of FIG. 1;

FIG. 3 is a left side elevation view of the bandsaw frame of FIG. 1;

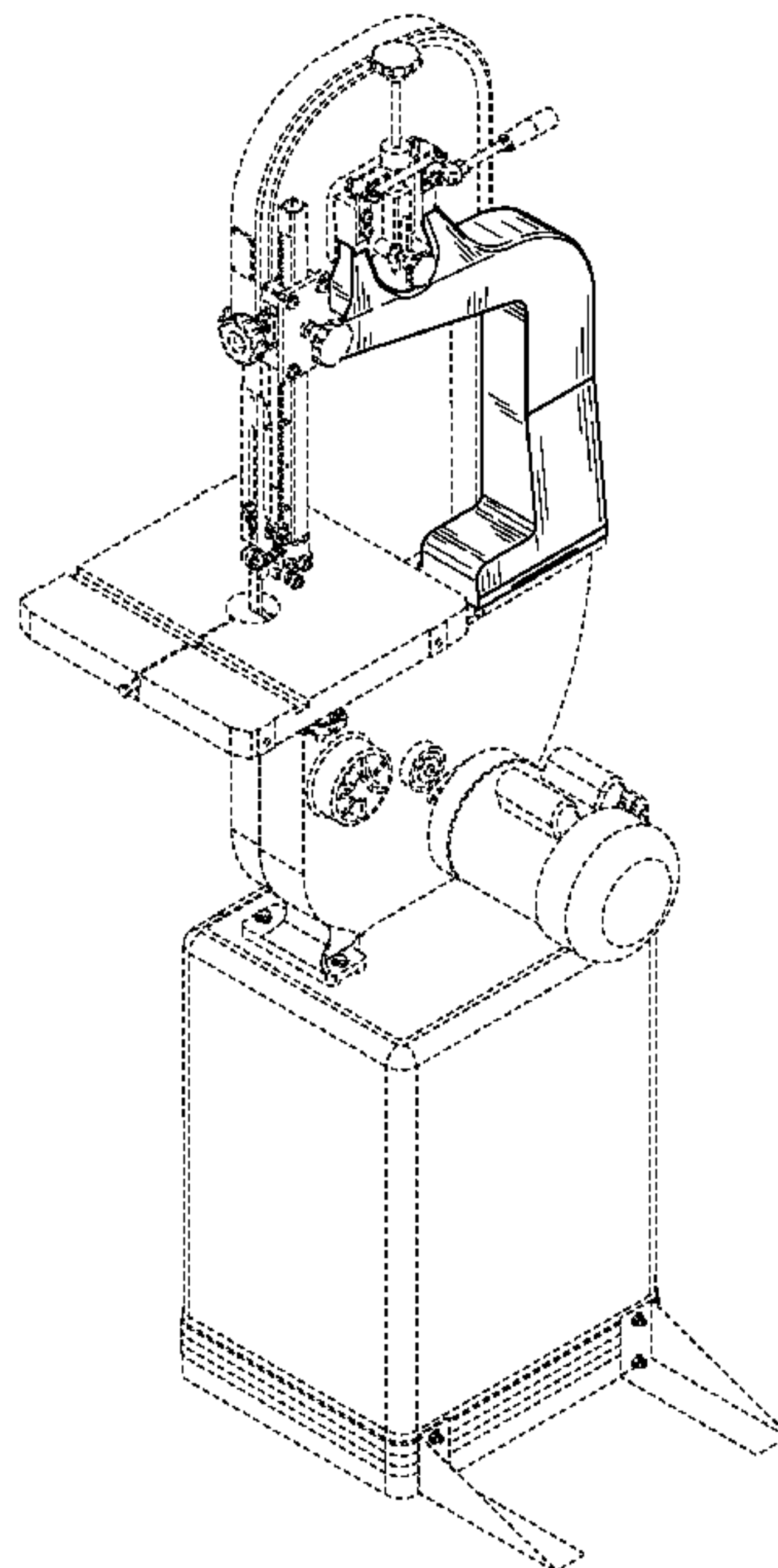
FIG. 4 is a rear elevation view of the bandsaw frame of FIG. 1;

FIG. 5 is a front elevation view of the bandsaw frame of FIG. 1;

FIG. 6 is a top view of the bandsaw frame of FIG. 1; and,

FIG. 7 is a bottom view of the bandsaw frame of FIG. 1.

1 Claim, 6 Drawing Sheets



US D631,071 S

Page 2

U.S. PATENT DOCUMENTS

D478,602 S * 8/2003 Lee D15/134
D488,490 S * 4/2004 Wang D15/134
D520,032 S * 5/2006 Nortmann et al. D15/133
D564,546 S * 3/2008 Leasure et al. D15/134
2004/0154454 A1 * 8/2004 Lee 83/788
2007/0137456 A1 * 6/2007 Liao 83/788
2007/0289424 A1 * 12/2007 Jan 83/452

2008/0028909 A1* 2/2008 Lin 83/820

OTHER PUBLICATIONS

WMH Tool Group, Operating Instructions and Parts Manual 14-inch
Woodworking Band Saw Model: JWBS-14OS, Revision A1, May
2005, 27 pp.
Bird, Lonnie, The Bandsaw Book, excerpts, 1999, 7 pp.

* cited by examiner

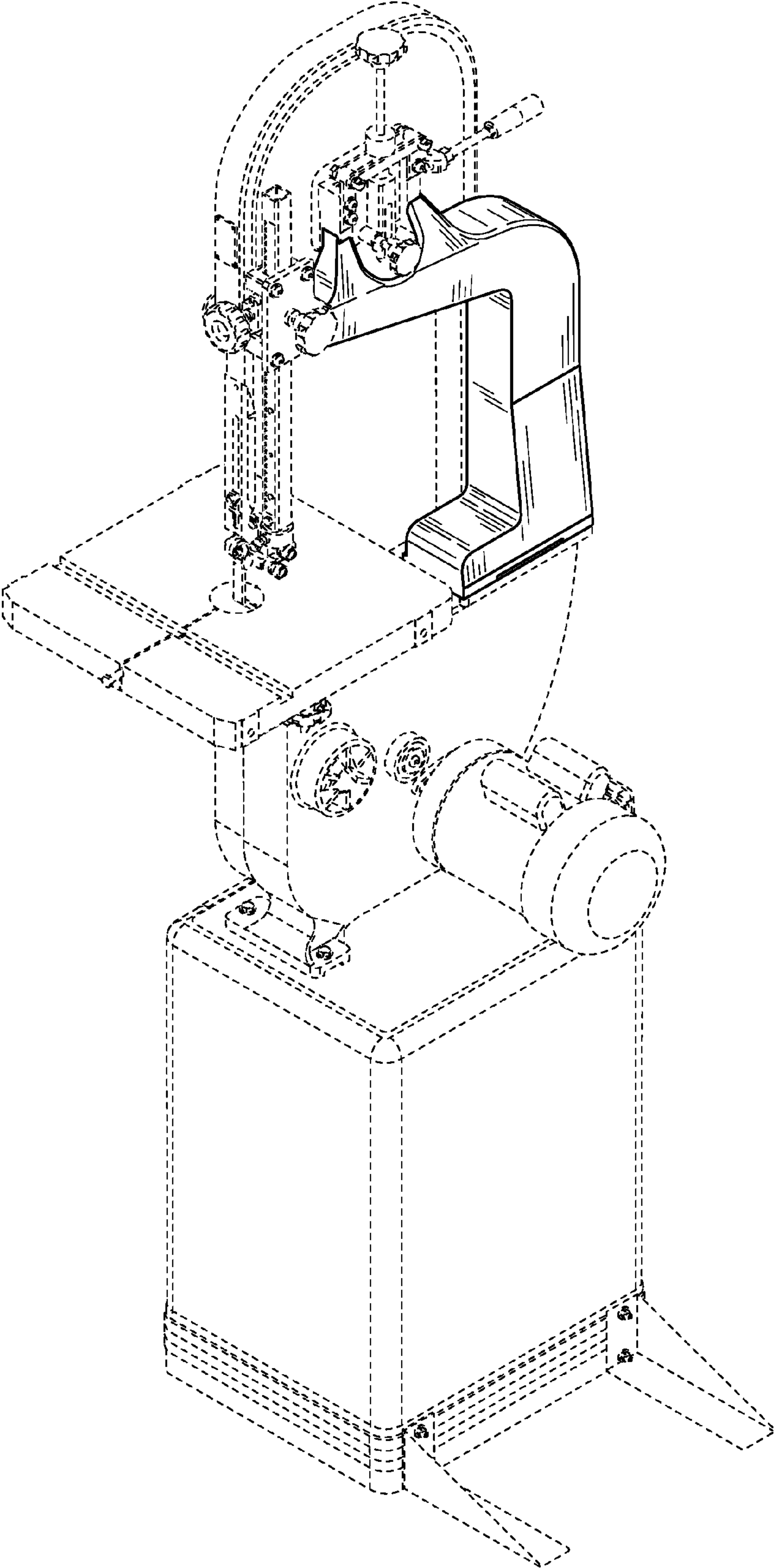


FIG. 1

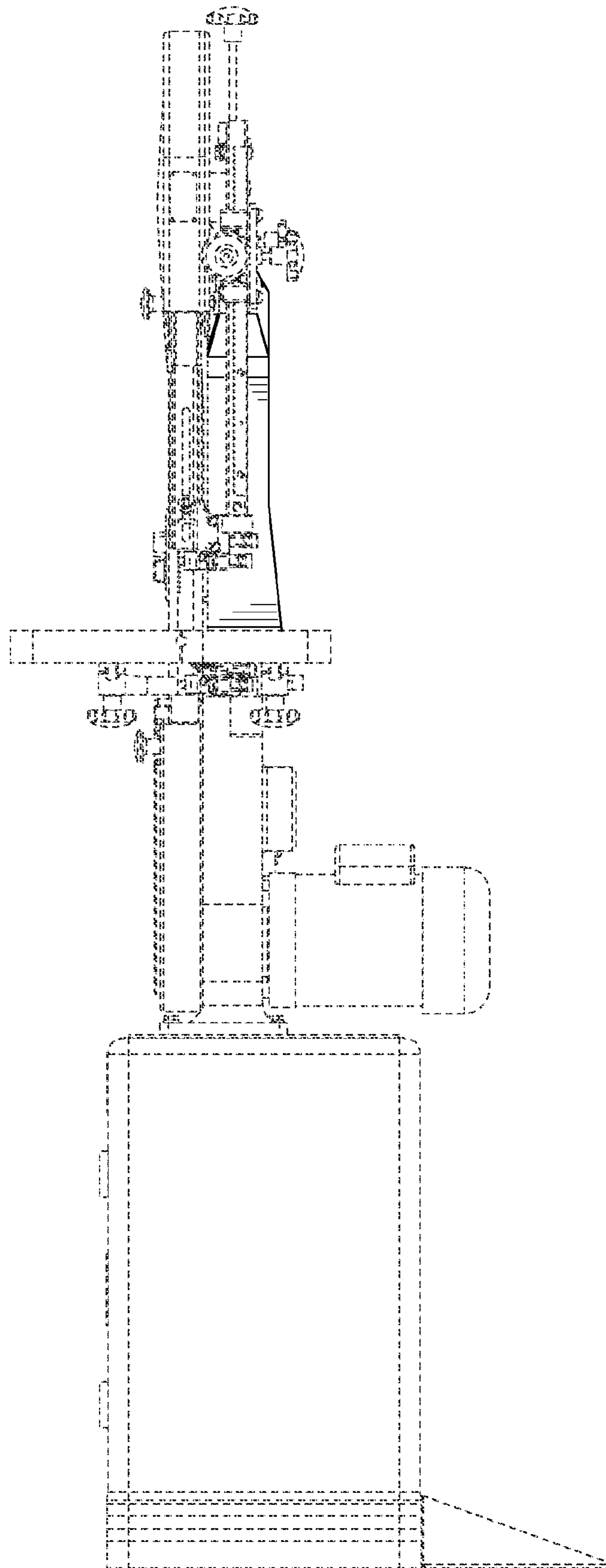


FIG. 2

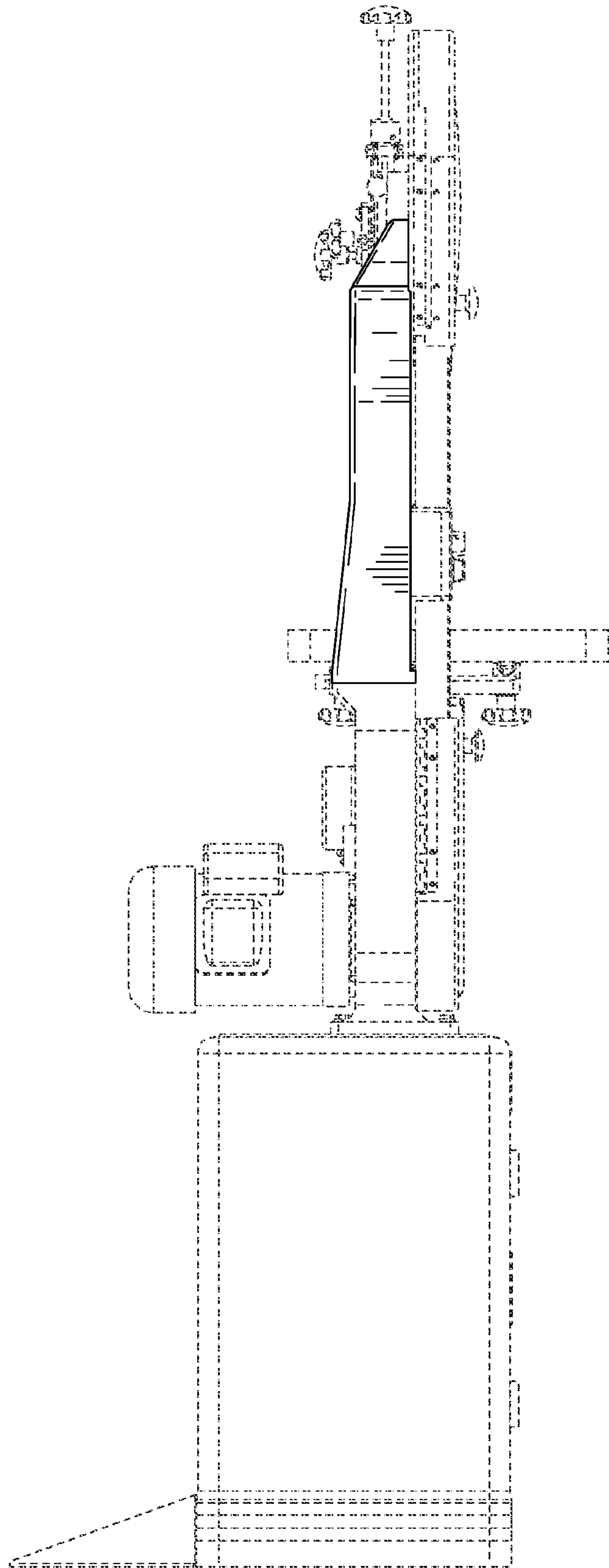


FIG. 3

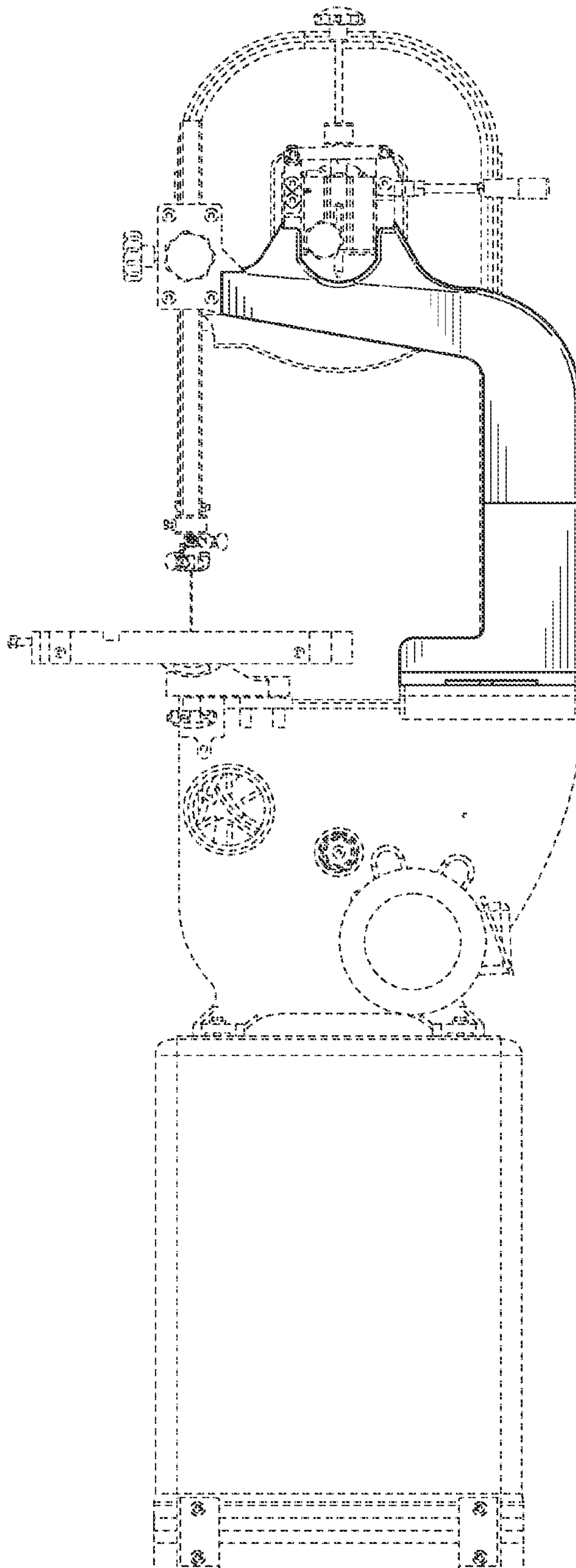


FIG. 4

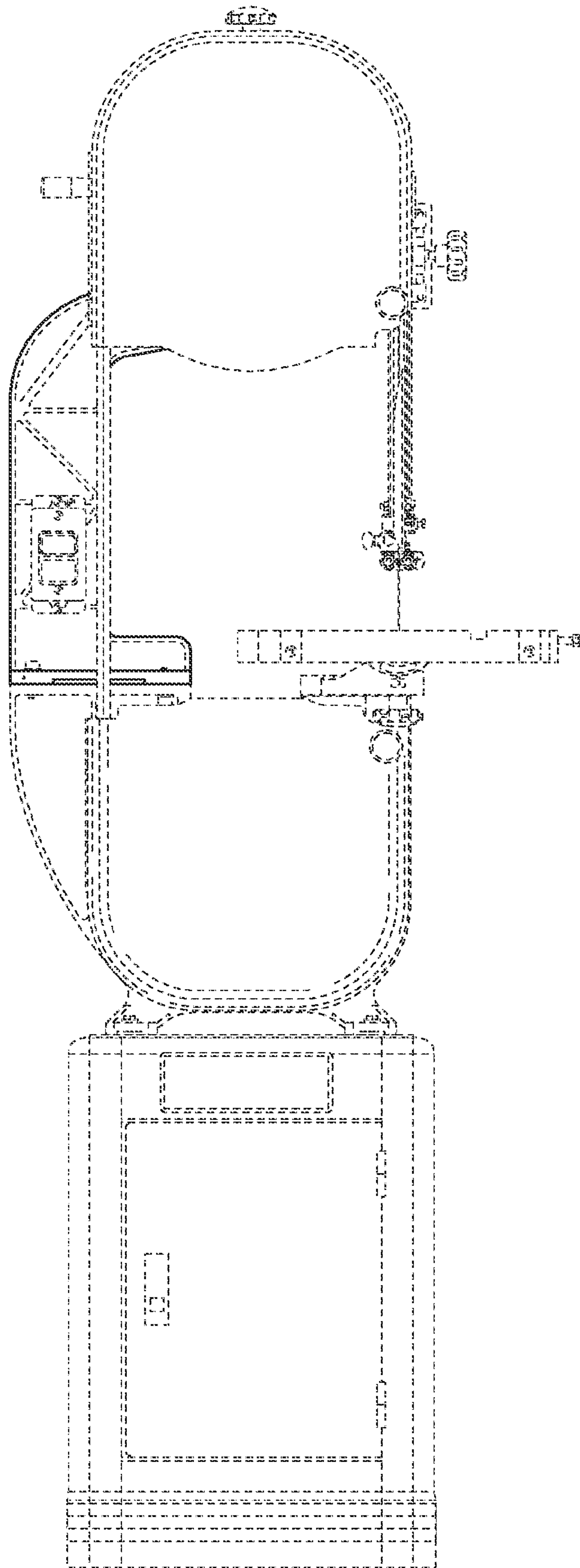


FIG. 5

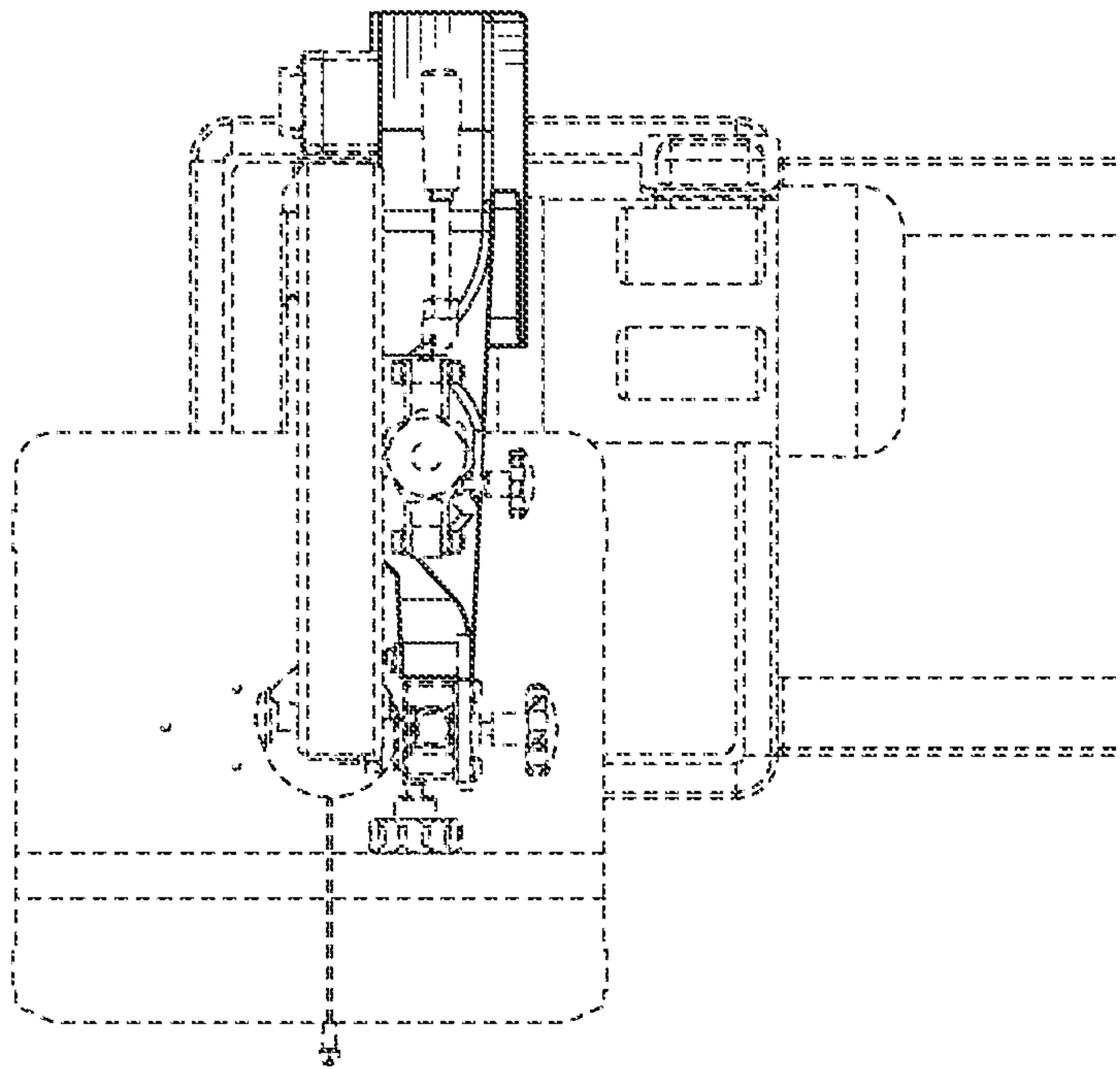


FIG. 6

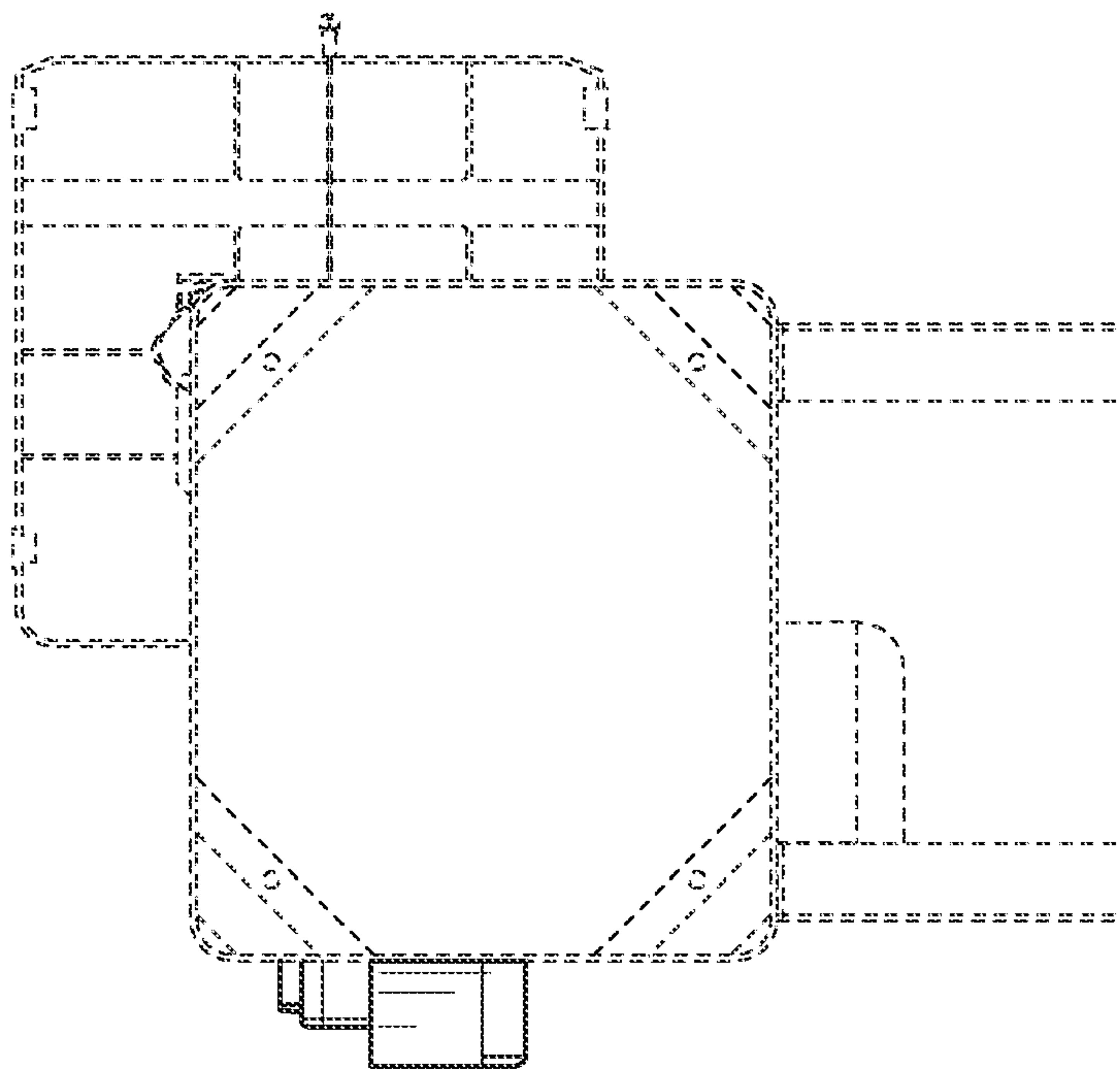


FIG. 7