



US00D631070S

(12) **United States Design Patent**
Baratta

(10) **Patent No.:** **US D631,070 S**

(45) **Date of Patent:** **** Jan. 18, 2011**

(54) **DRILL STAND ANCHOR BASE**

DE 9204693 6/1992
DE 9406622 2/1995

(75) Inventor: **Anthony Baratta**, Oak Park, CA (US)

* cited by examiner

(73) Assignee: **Husqvarna Construction Products**
North America Inc., Olathe, KS (US)

Primary Examiner—Patricia Palasik

(74) *Attorney, Agent, or Firm*—Novak Druce + Quigg LLP

(**) Term: **14 Years**

(57) **CLAIM**

(21) Appl. No.: **29/361,356**

I claim the ornamental design for a drill stand anchor base, as shown and described.

(22) Filed: **May 10, 2010**

Related U.S. Application Data

DESCRIPTION

(62) Division of application No. 29/299,852, filed on Apr. 1, 2008, now Pat. No. Des. 617,818.

FIG. 1 is a left front isometric view of a drill stand anchor base;

(51) **LOC (9) Cl.** **15-09**

FIG. 2 is a left elevational view of the drill stand anchor base;

(52) **U.S. Cl.** **D15/132**

FIG. 3 is a right elevational view of the drill stand anchor base;

(58) **Field of Classification Search** D8/61,
D8/70, 71; D15/132, 140; 175/20, 202,
175/203, 220; 408/9, 12, 16, 17, 75, 76,
408/87, 90, 129, 132, 135, 204, 214 S, 234,
408/235, 236, 710, 712

FIG. 4 is a front elevational view of the drill stand anchor base;

See application file for complete search history.

FIG. 5 is a back elevational view of the drill stand anchor base;

(56) **References Cited**

FIG. 6 is a bottom plan view of the drill stand anchor base;

U.S. PATENT DOCUMENTS

FIG. 7 is a top plan view of the drill stand anchor base;

- 3,093,249 A 6/1963 Wuesthoff
- 3,837,757 A * 9/1974 Levine 408/14
- D392,534 S * 3/1998 Degen et al. D15/132
- 5,765,273 A * 6/1998 Mora et al. 29/560
- 5,954,460 A * 9/1999 Degen et al. 408/112
- D414,669 S * 10/1999 Howard D15/140
- 6,692,201 B2 * 2/2004 Soderman 408/111
- D497,622 S * 10/2004 Theising et al. D15/134
- 2003/0233925 A1 12/2003 Makrupoulos
- 2004/0151552 A1 * 8/2004 Baratta 408/135
- 2007/0217879 A1 * 9/2007 Larsson 408/129

FIG. 8 is a left front isometric view of an alternate embodiment of a drill stand anchor base;

FIG. 9 is a left elevational view thereof;

FIG. 10 is a right elevational view thereof;

FIG. 11 is a front elevational view thereof;

FIG. 12 is a back elevational view thereof;

FIG. 13 is a bottom plan view thereof; and,

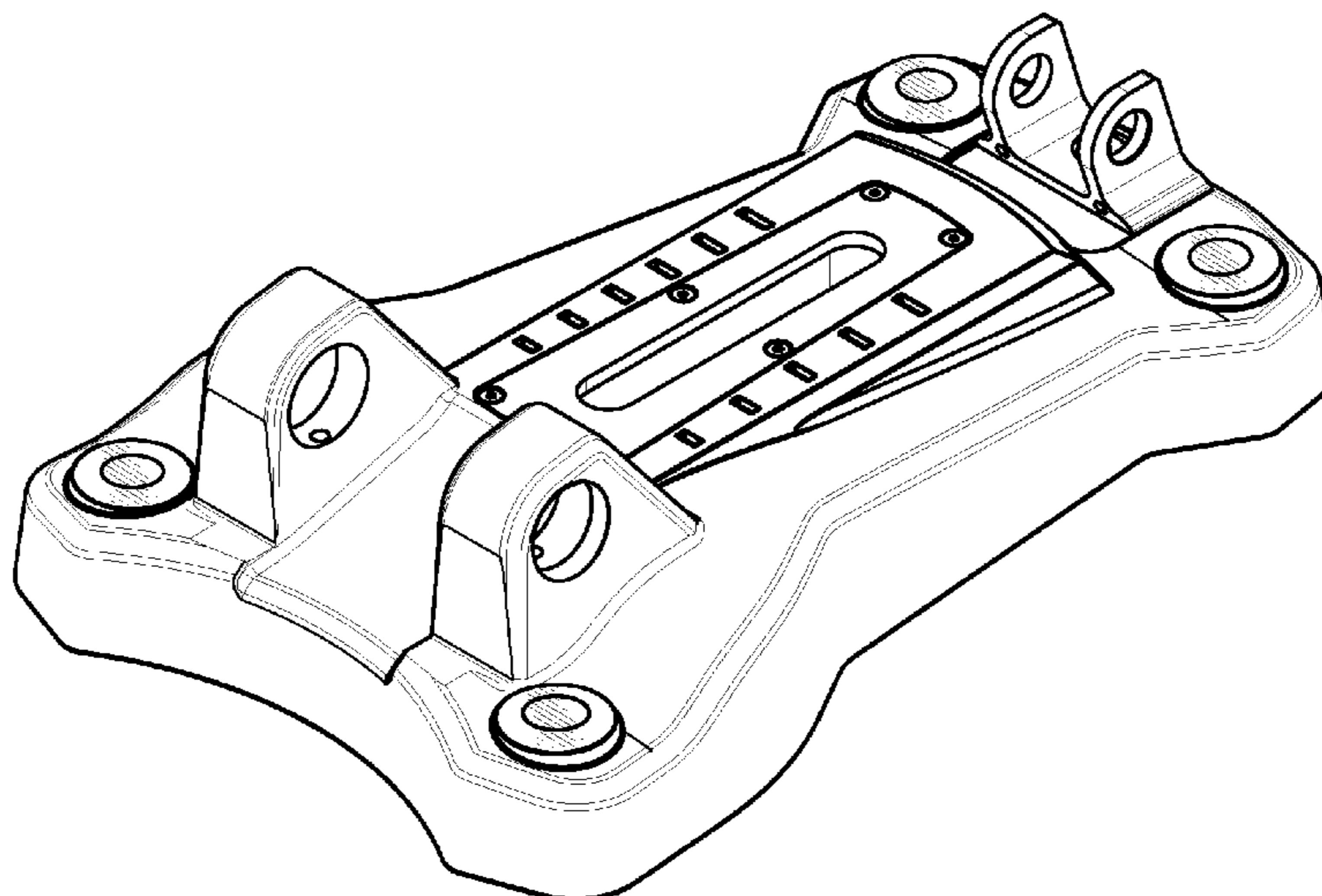
FIG. 14 is a top plan view thereof.

The broken lines in the drawings depict unclaimed environmental subject matter.

FOREIGN PATENT DOCUMENTS

DE 3629368 3/1988

1 Claim, 14 Drawing Sheets



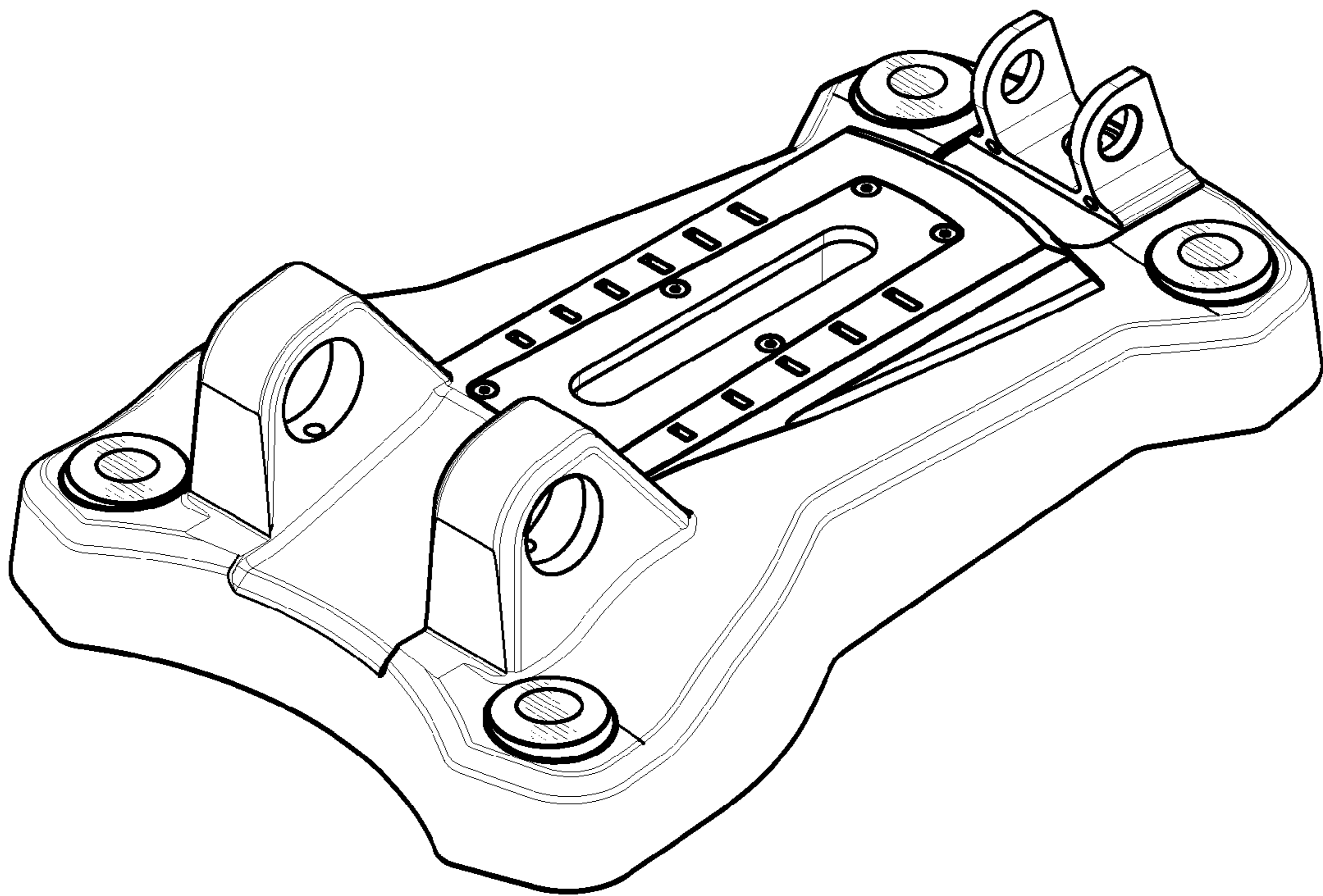


FIG. 1

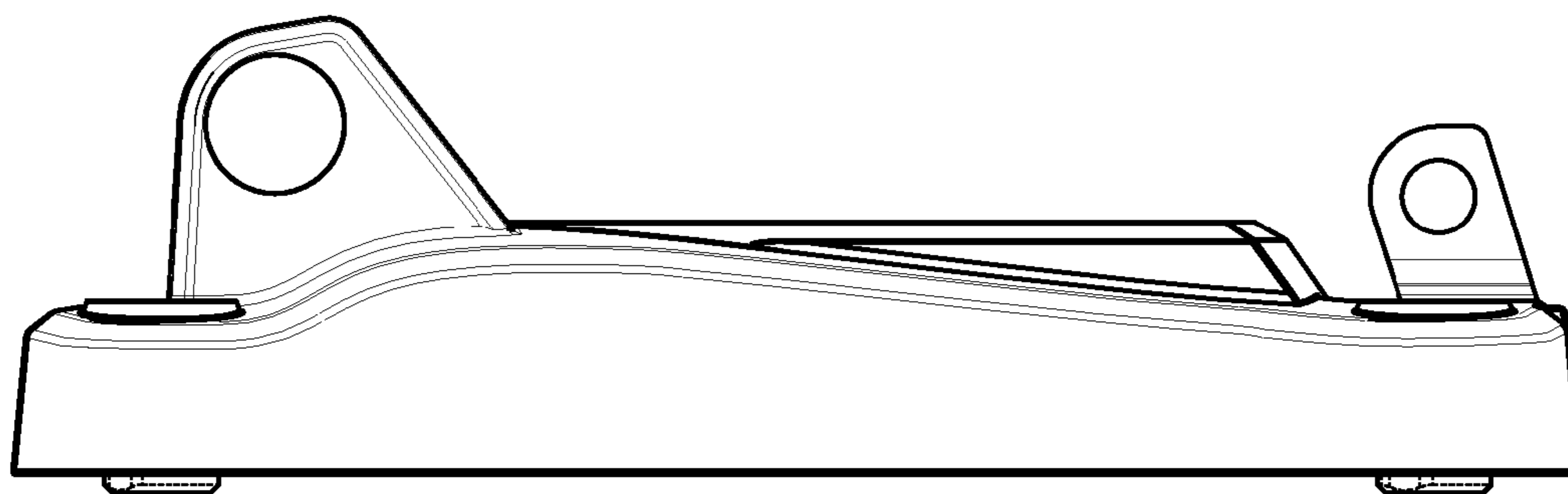


FIG. 2



FIG. 3

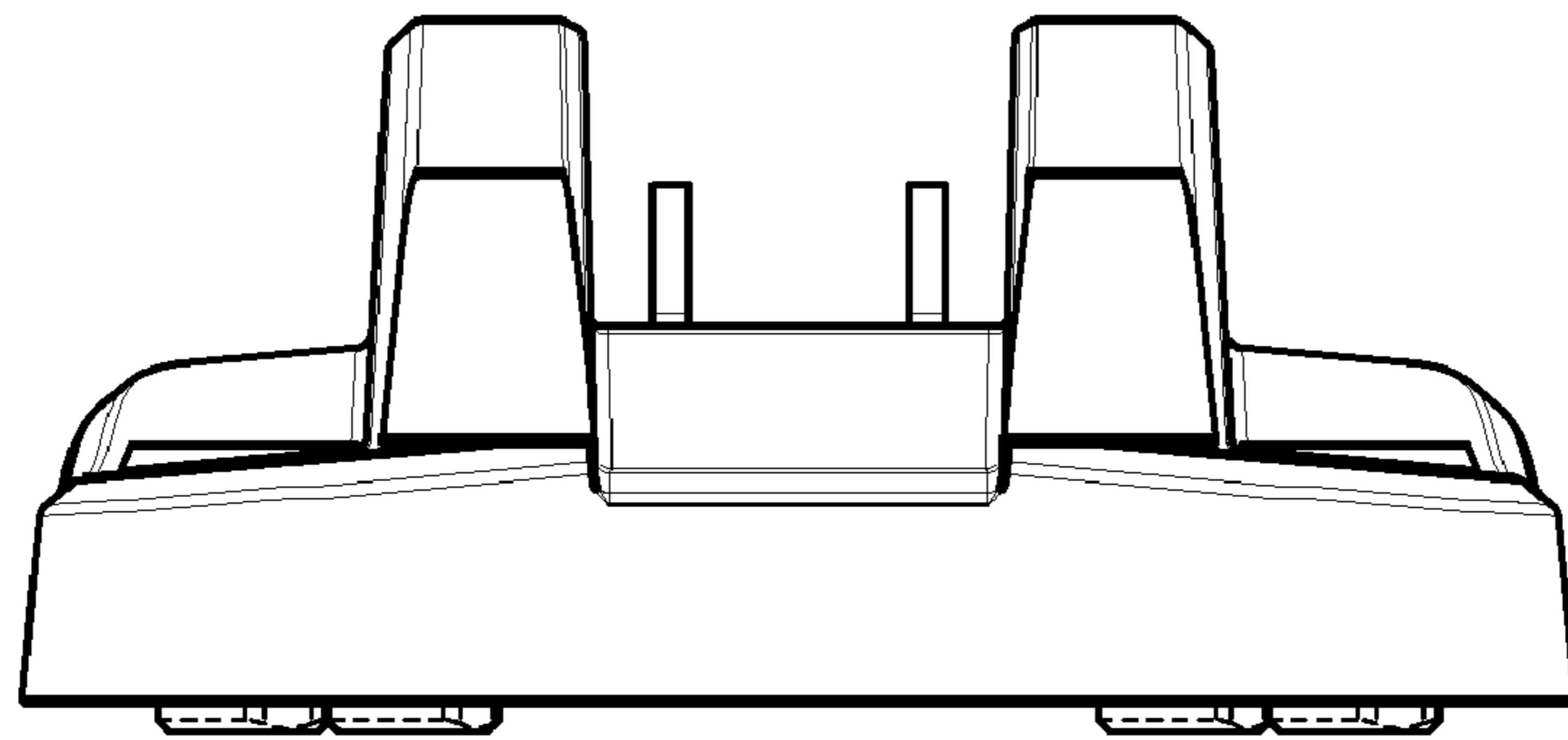


FIG. 4

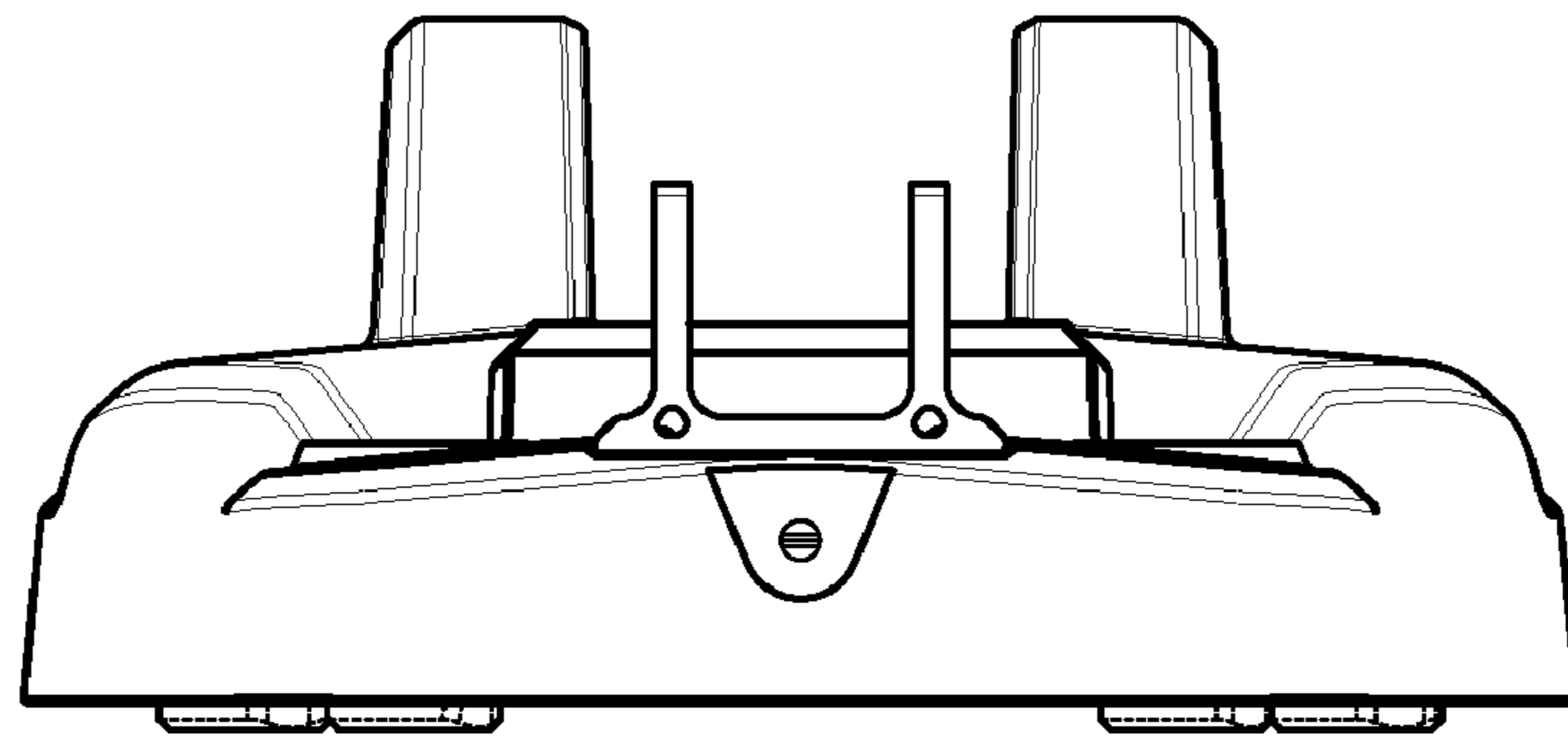


FIG. 5

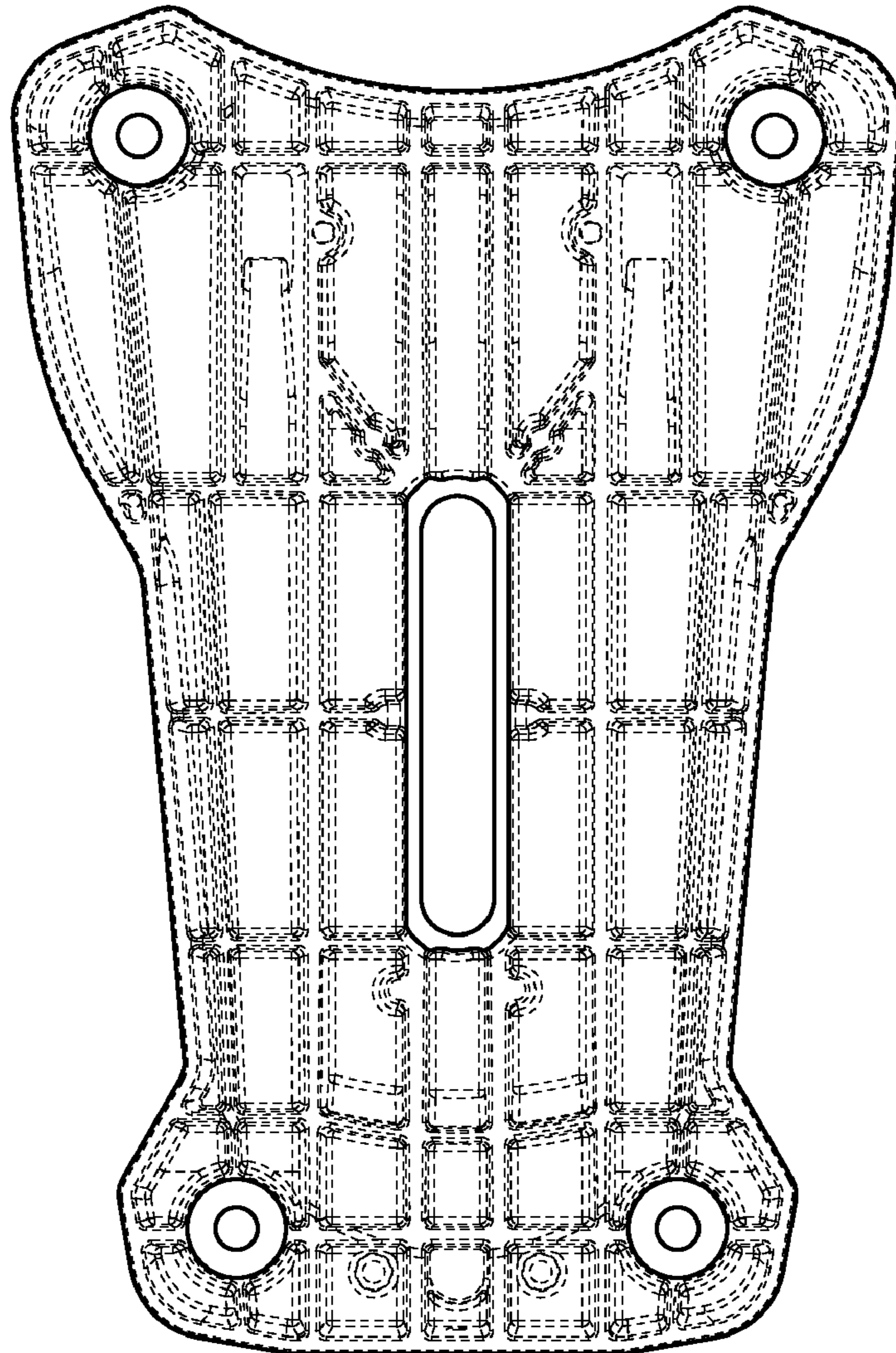


FIG. 6

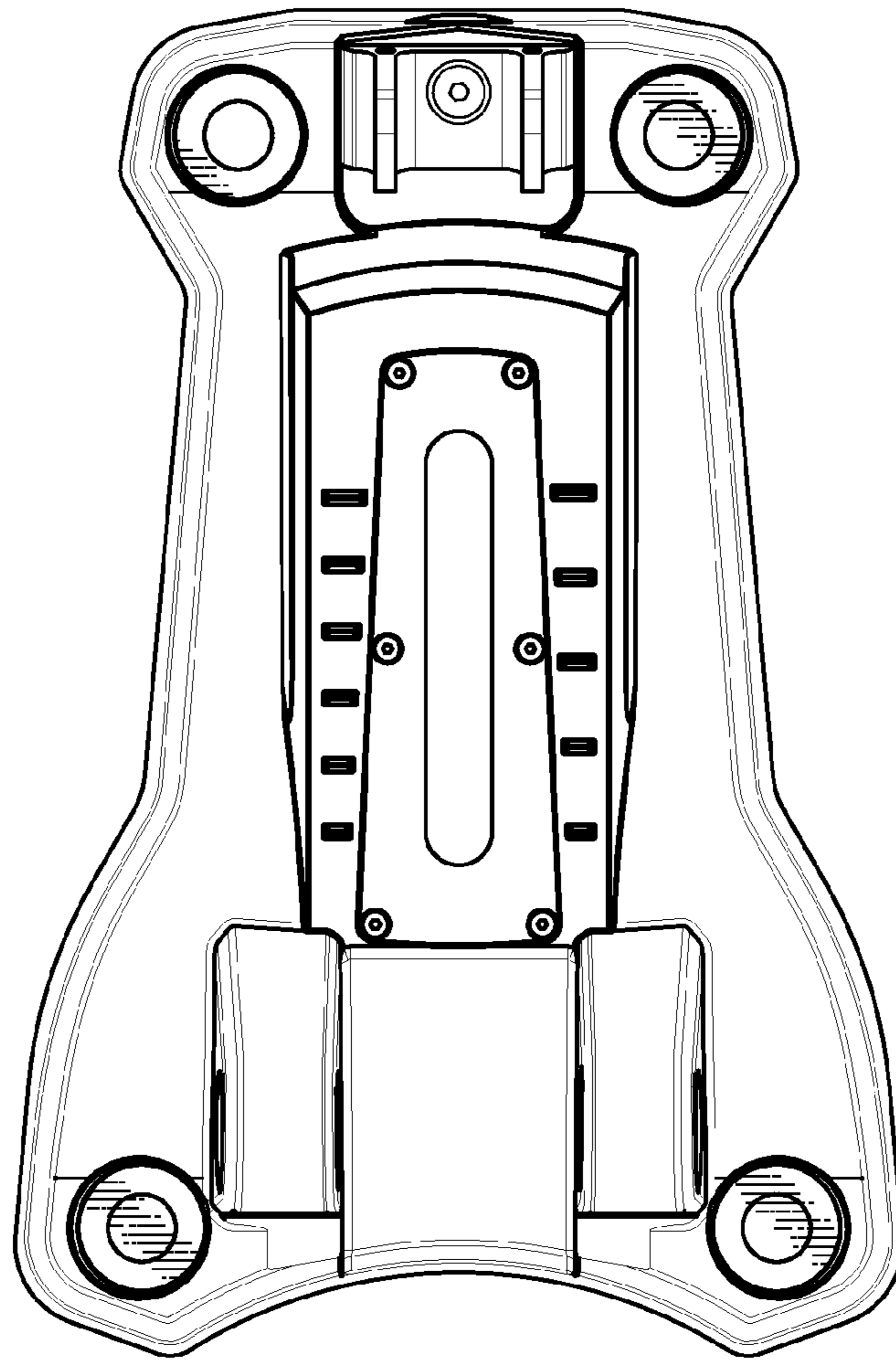


FIG. 7

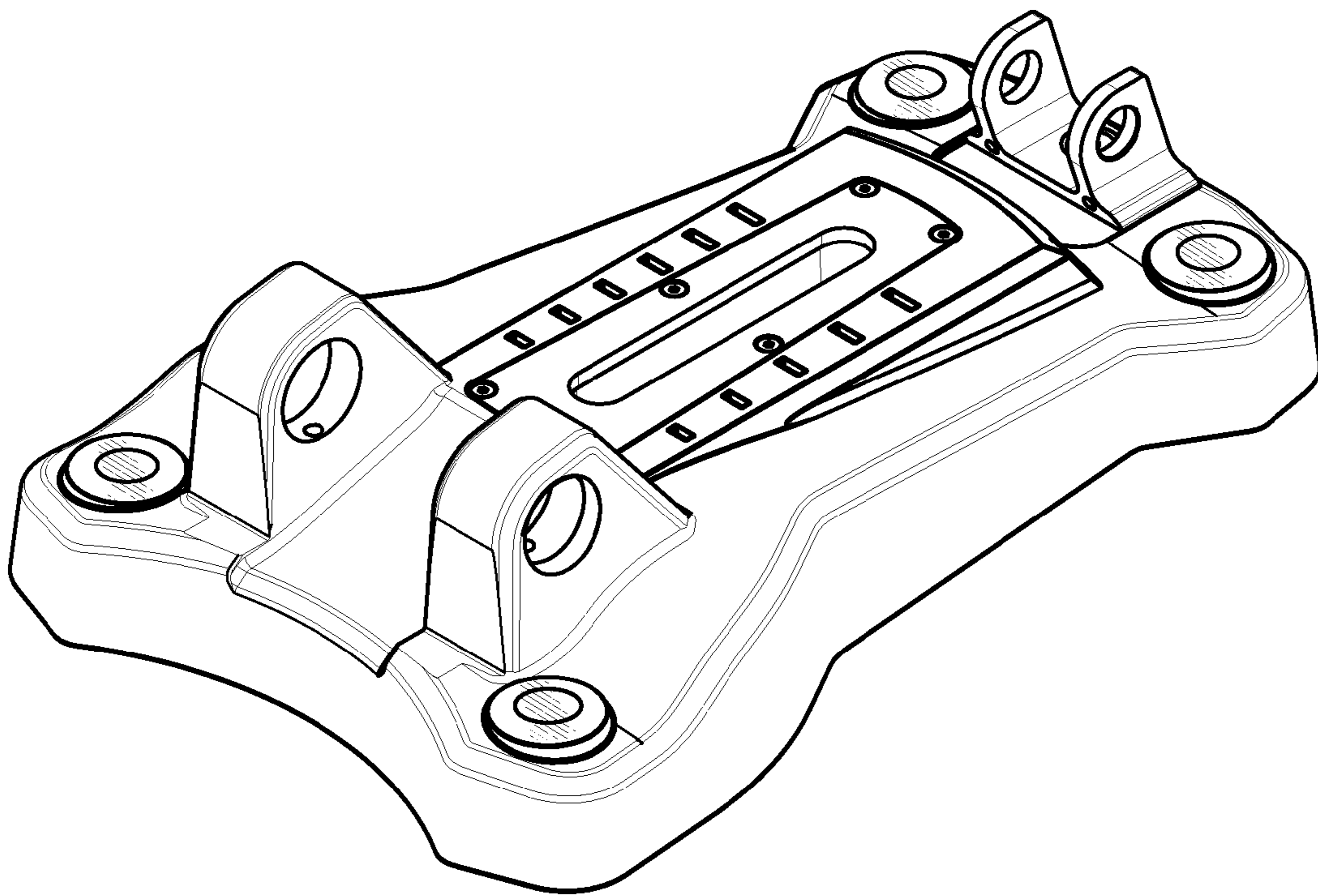


FIG. 8

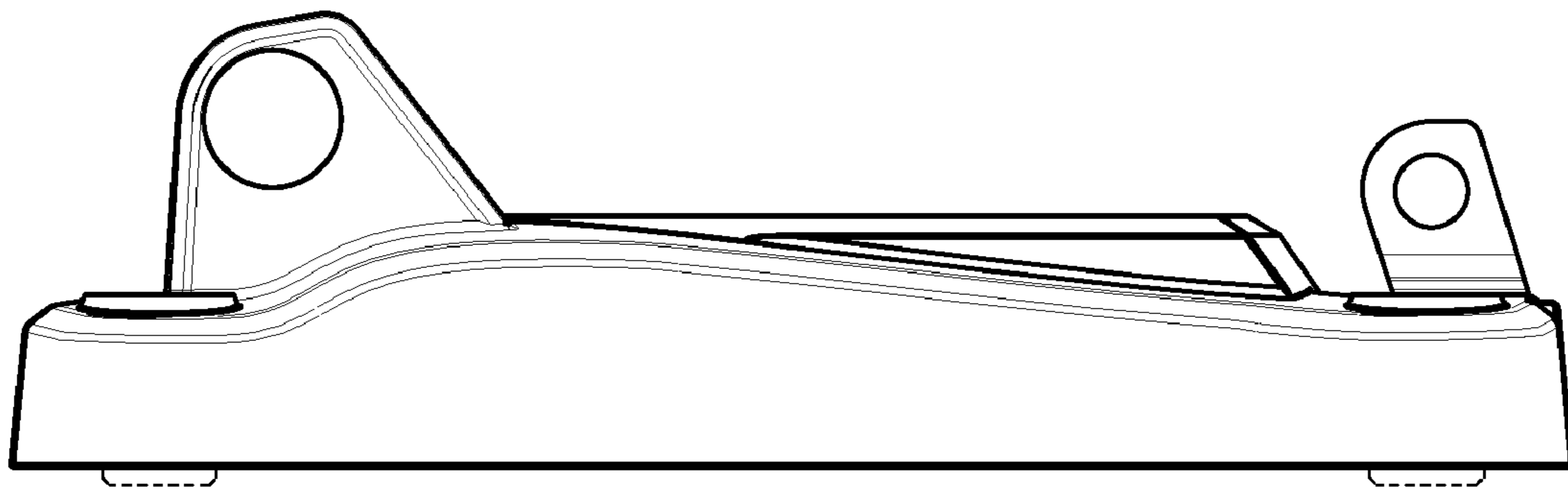


FIG. 9

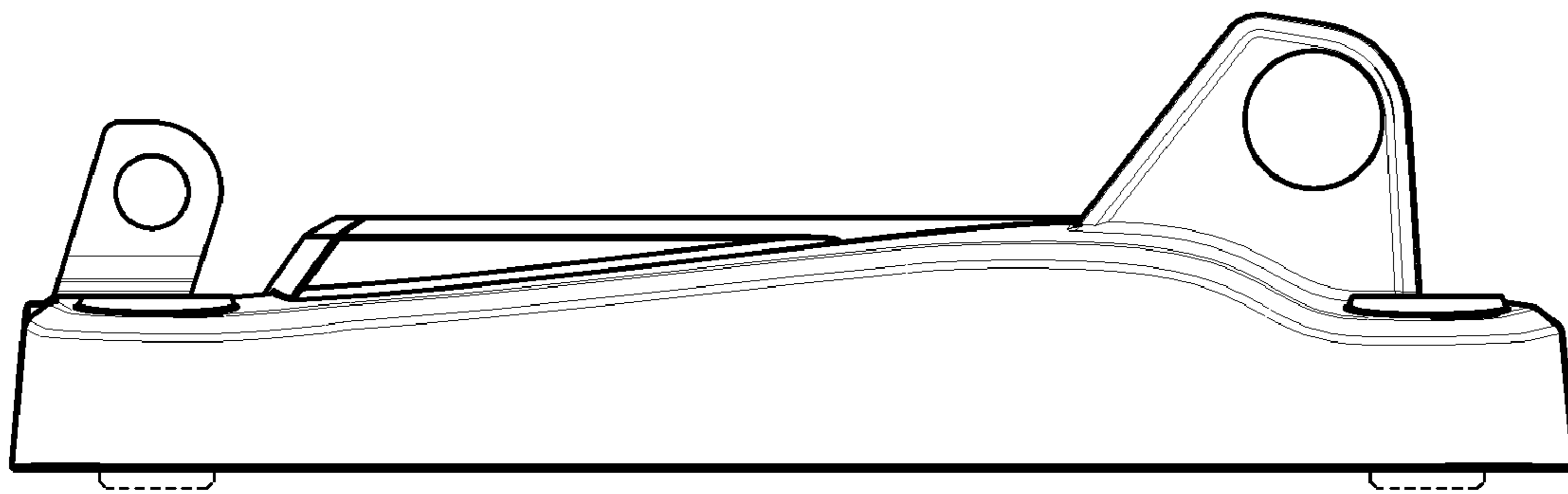


FIG. 10

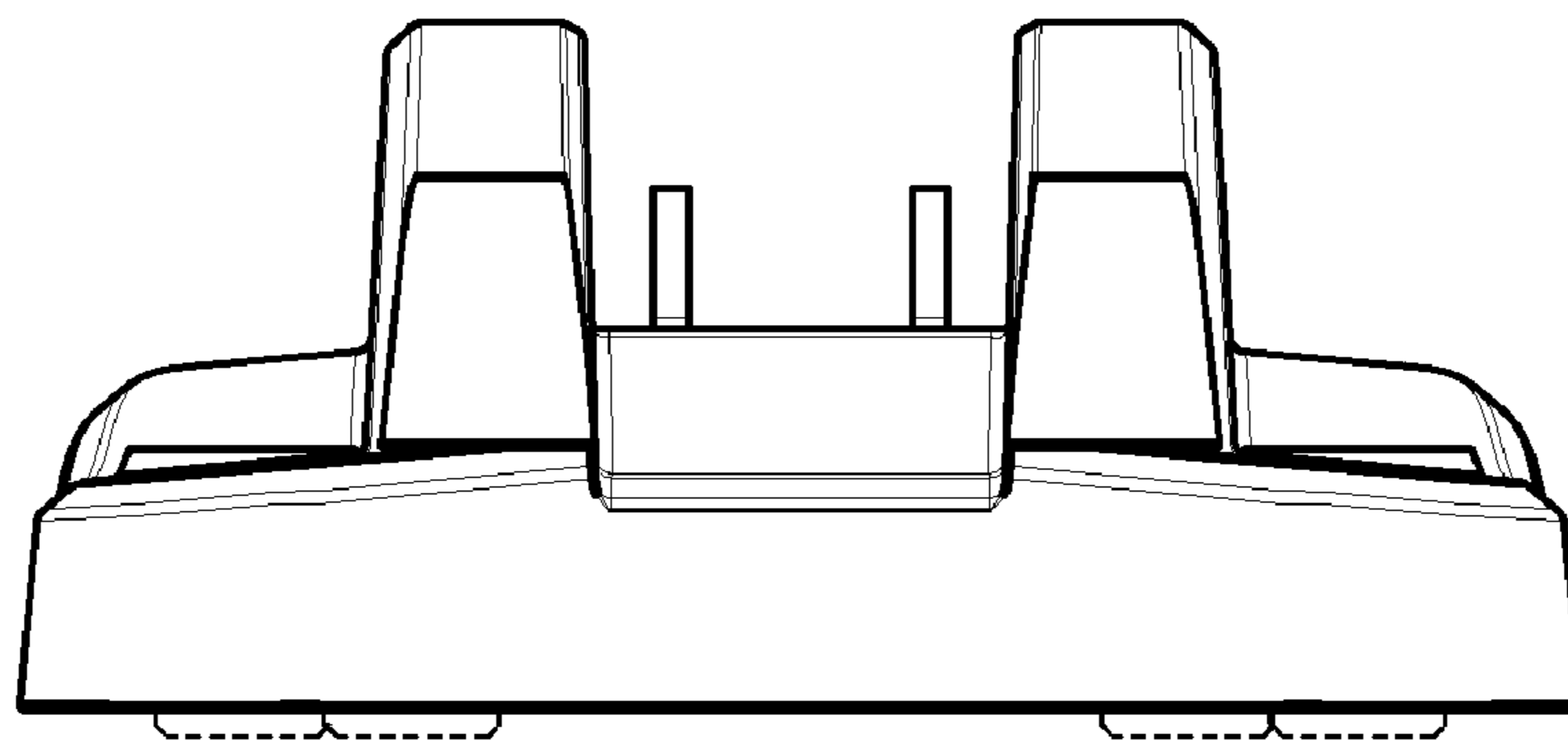


FIG. 11

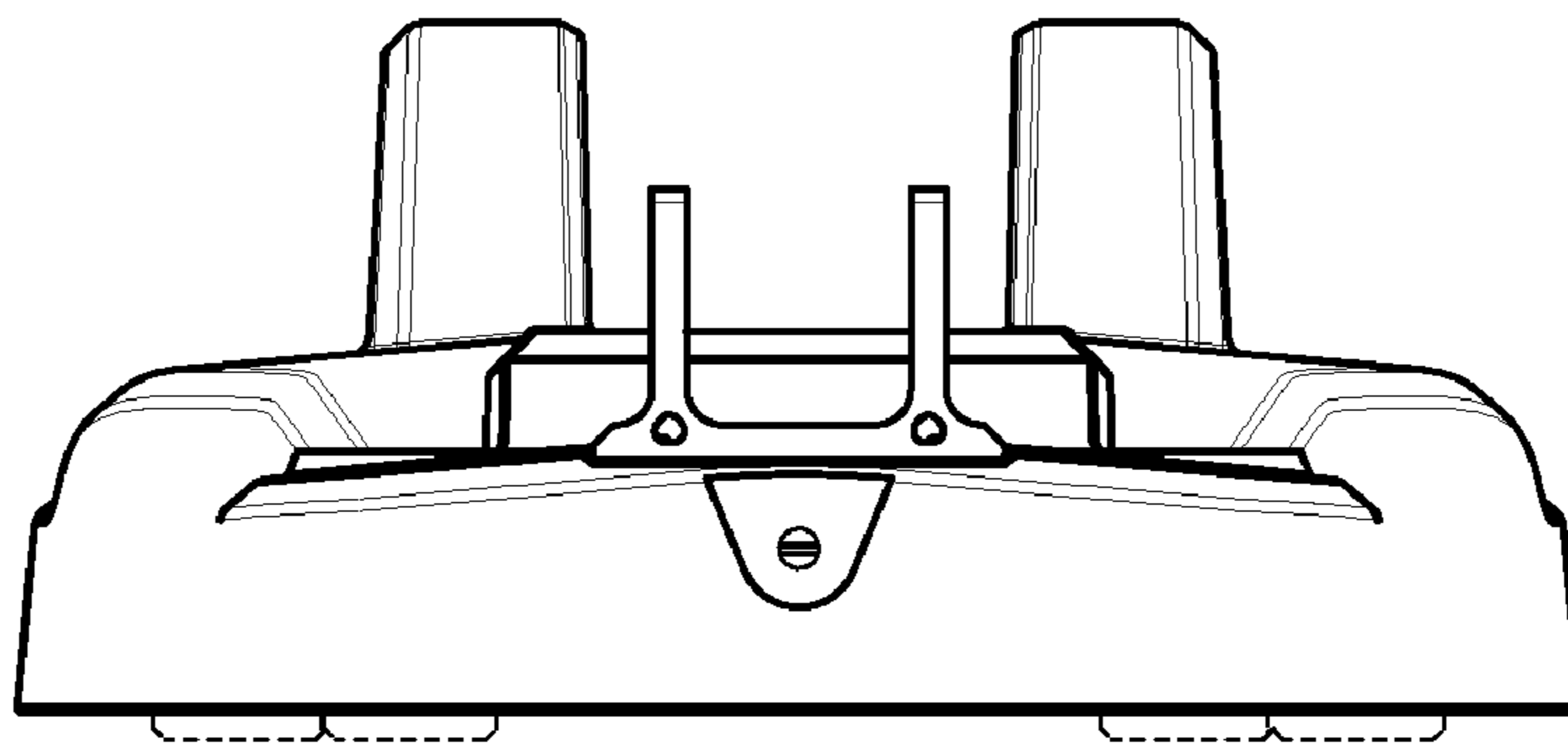


FIG. 12

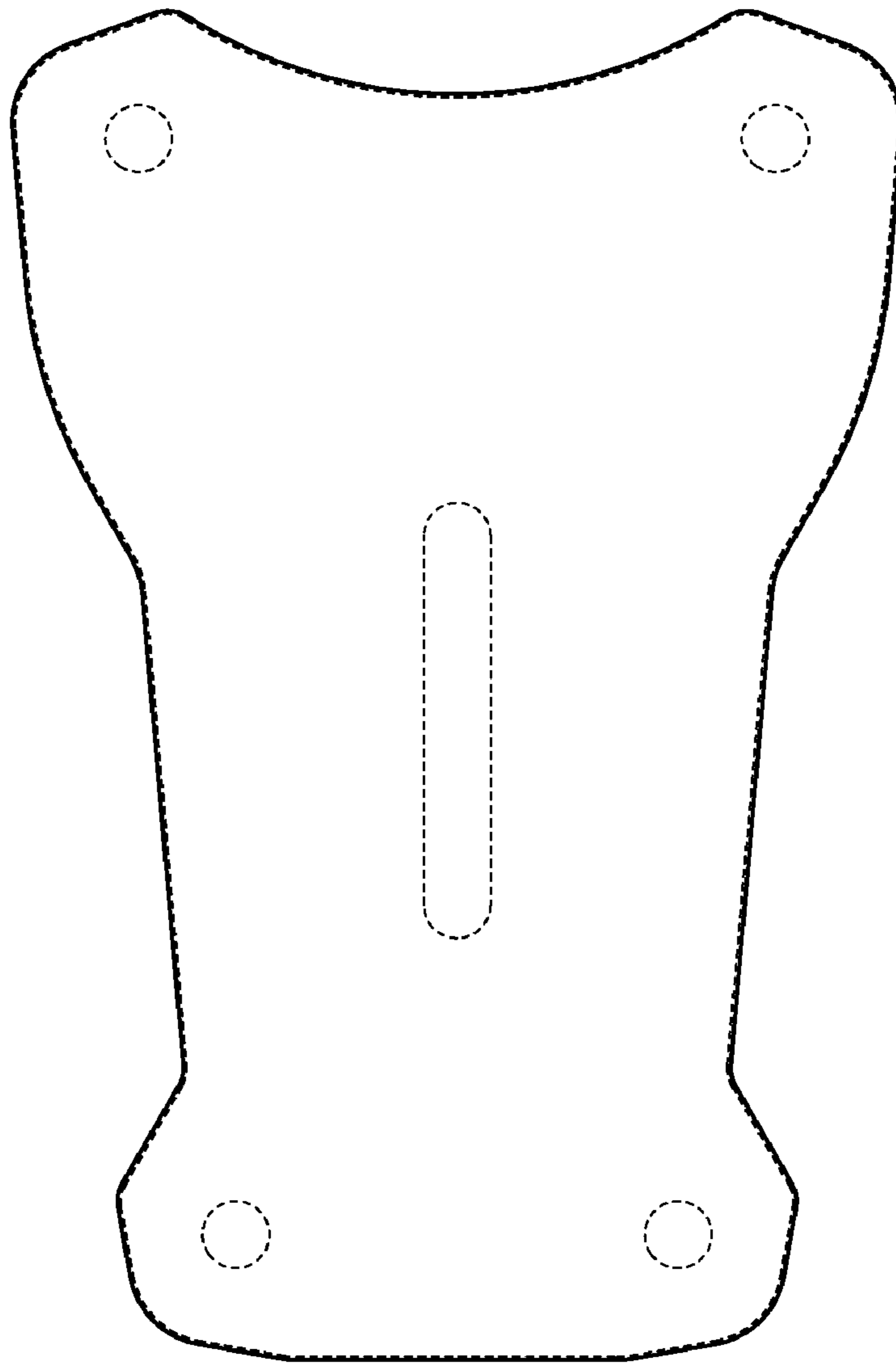


FIG. 13

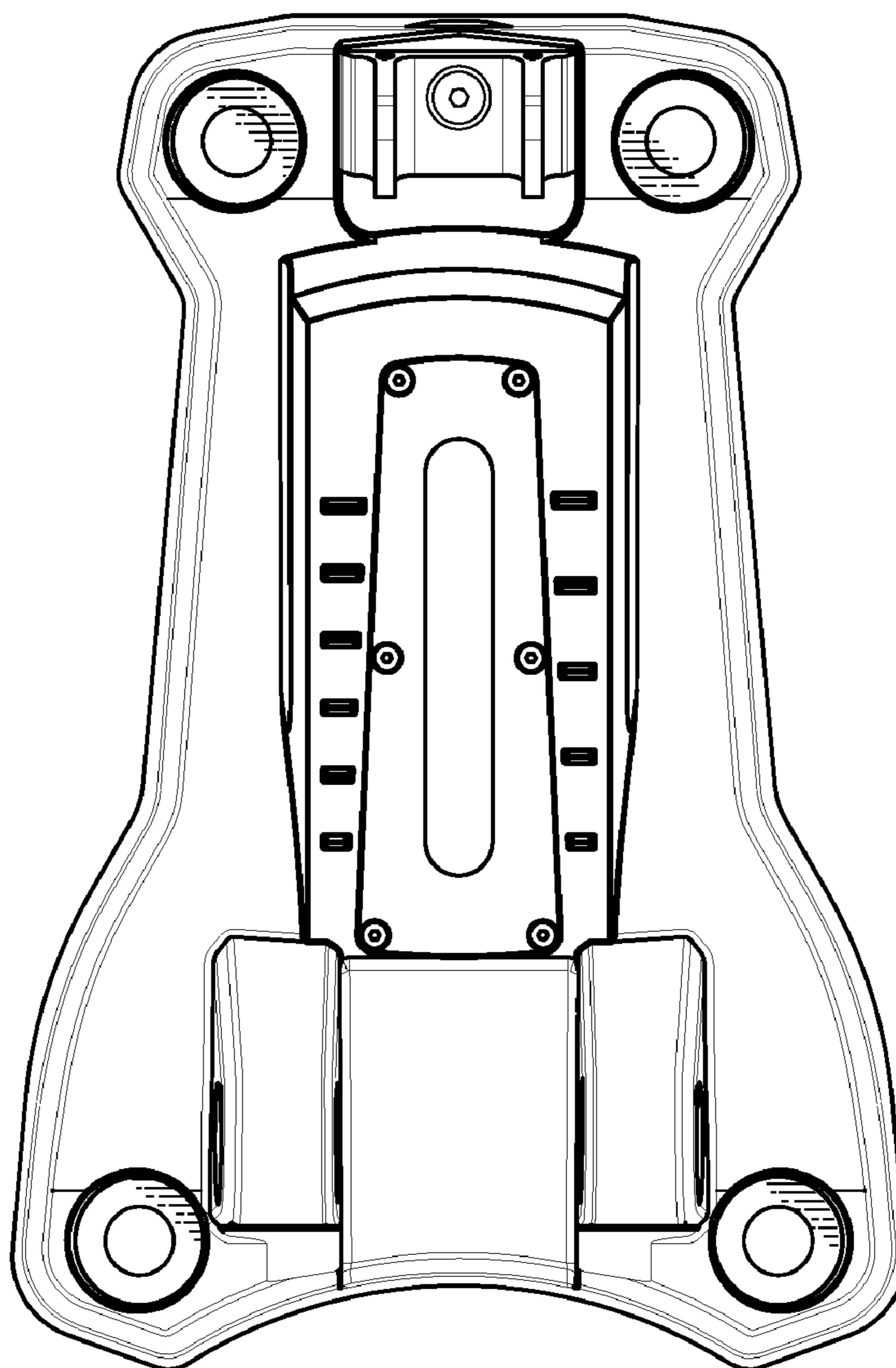


FIG. 14