



US00D631068S

(12) **United States Design Patent**  
**Prickel et al.**

(10) **Patent No.:** **US D631,068 S**  
(45) **Date of Patent:** **\*\* \*Jan. 18, 2011**

(54) **PLANTER**

(75) Inventors: **Marvin Prickel**, Homer Glen, IL (US);  
**Travis L. Harnetiaux**, Bourbonnais, IL (US);  
**Joshua E. Breuer**, Chicago, IL (US);  
**Dennis G. Thompson**, Saskatoon (CA);  
**Cory L. Vincent**, Bettendorf, IA (US);  
**David D. Seib**, Saskatoon (CA);  
**Ricardo Diaz**, Westchester, IL (US);  
**Brian Anderson**, Yorkville, IL (US);  
**Michael J. Connors**, Lockport, IL (US)

(73) Assignee: **CNH Canada, Ltd.** (CA)

(\*) Notice: This patent is subject to a terminal disclaimer.

(\*\*) Term: **14 Years**

(21) Appl. No.: **29/355,252**

(22) Filed: **Feb. 4, 2010**

(51) **LOC (9) Cl.** ..... **15-03**

(52) **U.S. Cl.** ..... **D15/27; D15/10**

(58) **Field of Classification Search** ..... D15/10,  
D15/12, 27, 28; 56/15.8, 15.9; 172/311,  
172/210, 466, 484, 456, 481, 605, 626, 776,  
172/507; 111/52-57; 280/401, 411 A-411 C,  
280/415 A, 415 R, 412, 413, 482, 656  
See application file for complete search history.

(56) **References Cited**

**U.S. PATENT DOCUMENTS**

D251,562 S *	4/1979	Hansen	.....	D15/33
4,721,168 A *	1/1988	Kinzenbaw	.....	172/311
5,232,054 A *	8/1993	Van Blaricon et al.	.....	172/311
5,402,945 A *	4/1995	Swanson, Jr.	.....	239/706
5,488,996 A *	2/1996	Barry et al.	.....	172/311
5,647,440 A *	7/1997	Barry et al.	.....	172/311
5,787,988 A *	8/1998	Harlan et al.	.....	172/311
5,829,370 A *	11/1998	Bender	.....	111/54
6,076,613 A *	6/2000	Frasier	.....	172/311
6,213,034 B1 *	4/2001	Raducha et al.	.....	111/57

6,502,645 B1 *	1/2003	Brueggen et al.	.....	172/311
D469,782 S *	2/2003	Paluch et al.	.....	D15/10
6,666,155 B2 *	12/2003	Paluch et al.	.....	111/54
6,902,010 B2 *	6/2005	Shoup	.....	172/456
6,935,254 B2 *	8/2005	Ostrander et al.	.....	111/174
D559,868 S *	1/2008	Nanlawala et al.	.....	D15/27
2003/0164126 A1 *	9/2003	Paluch et al.	.....	111/57
2003/0164127 A1 *	9/2003	Paluch	.....	111/200
2004/0011538 A1 *	1/2004	Raducha et al.	.....	172/311
2004/0050563 A1 *	3/2004	Shoup	.....	172/311
2004/0149464 A1 *	8/2004	Arnett	.....	172/311
2005/0087350 A1 *	4/2005	Bauer	.....	172/311
2006/0081163 A1 *	4/2006	Auer et al.	.....	111/130
2007/0163791 A1 *	7/2007	Meek	.....	172/311
2009/0178600 A1 *	7/2009	Horn et al.	.....	111/52
2009/0199750 A1 *	8/2009	Rice et al.	.....	111/52

(Continued)

*Primary Examiner*—Mark A Goodwin

(74) *Attorney, Agent, or Firm*—Rebecca Henkel

(57) **CLAIM**

The ornamental design for a planter, as shown and described.

**DESCRIPTION**

FIG. 1 is an isometric view of a planter in accordance with the present invention;

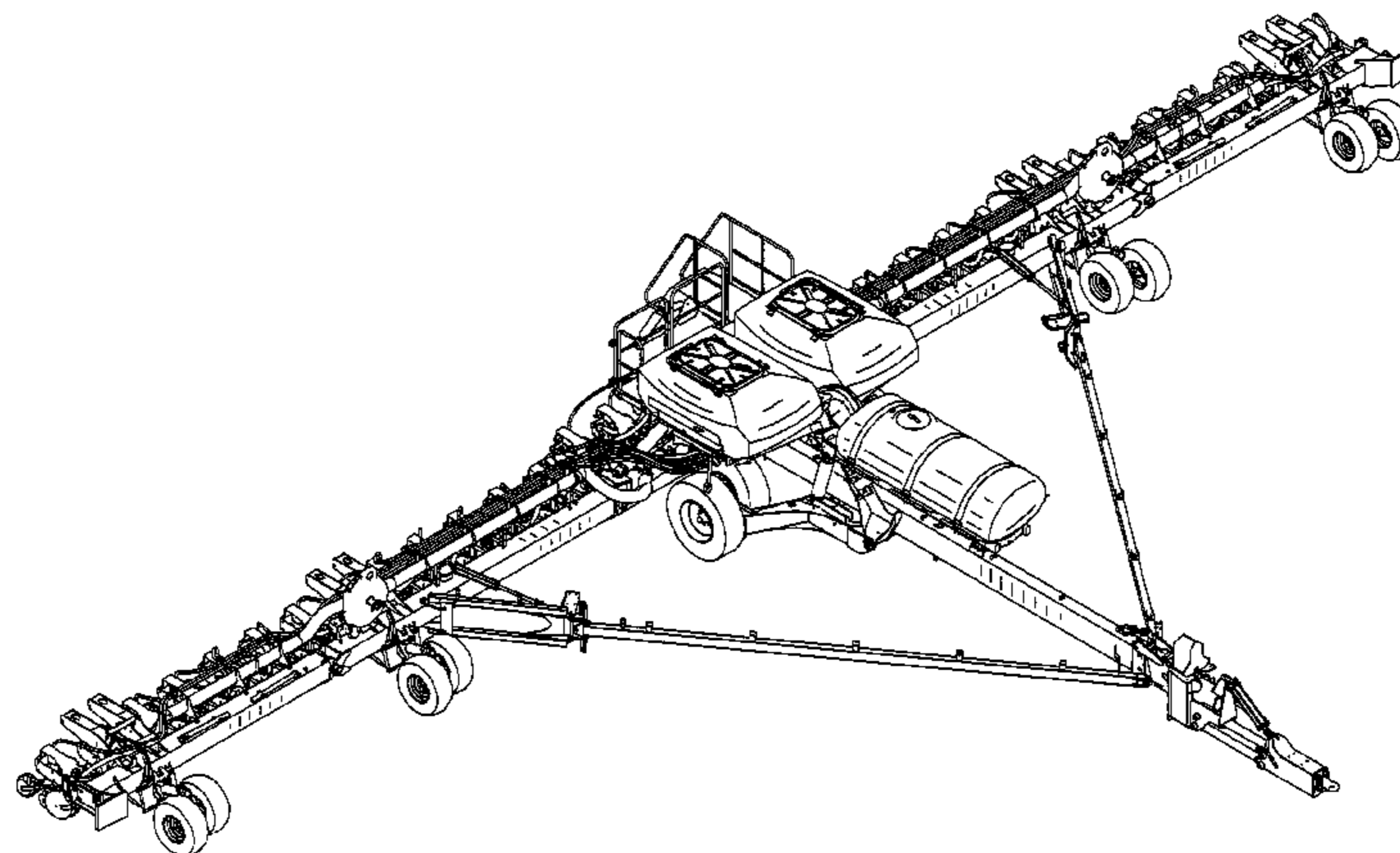
FIG. 2 is a top plan view of the planter of FIG. 1;

FIG. 3 is a front elevational view of the planter of FIG. 1;

FIG. 4 is a rear elevational view of the planter of FIG. 1; and,

FIG. 5 is a side elevational view of the planter of FIG. 1.

**1 Claim, 4 Drawing Sheets**



# US D631,068 S

Page 2

---

U.S. PATENT DOCUMENTS			
2009/0229501	A1*	9/2009	Jaime et al. .... 111/55
2010/0101812	A1*	4/2010	Friggstad ..... 172/311
2010/0101813	A1*	4/2010	Friggstad et al. .... 172/311
2010/0126742	A1*	5/2010	Poole et al. .... 172/311
2010/0126743	A1*	5/2010	Poole et al. .... 172/311
2010/0126744	A1*	5/2010	Poole ..... 172/311

\* cited by examiner

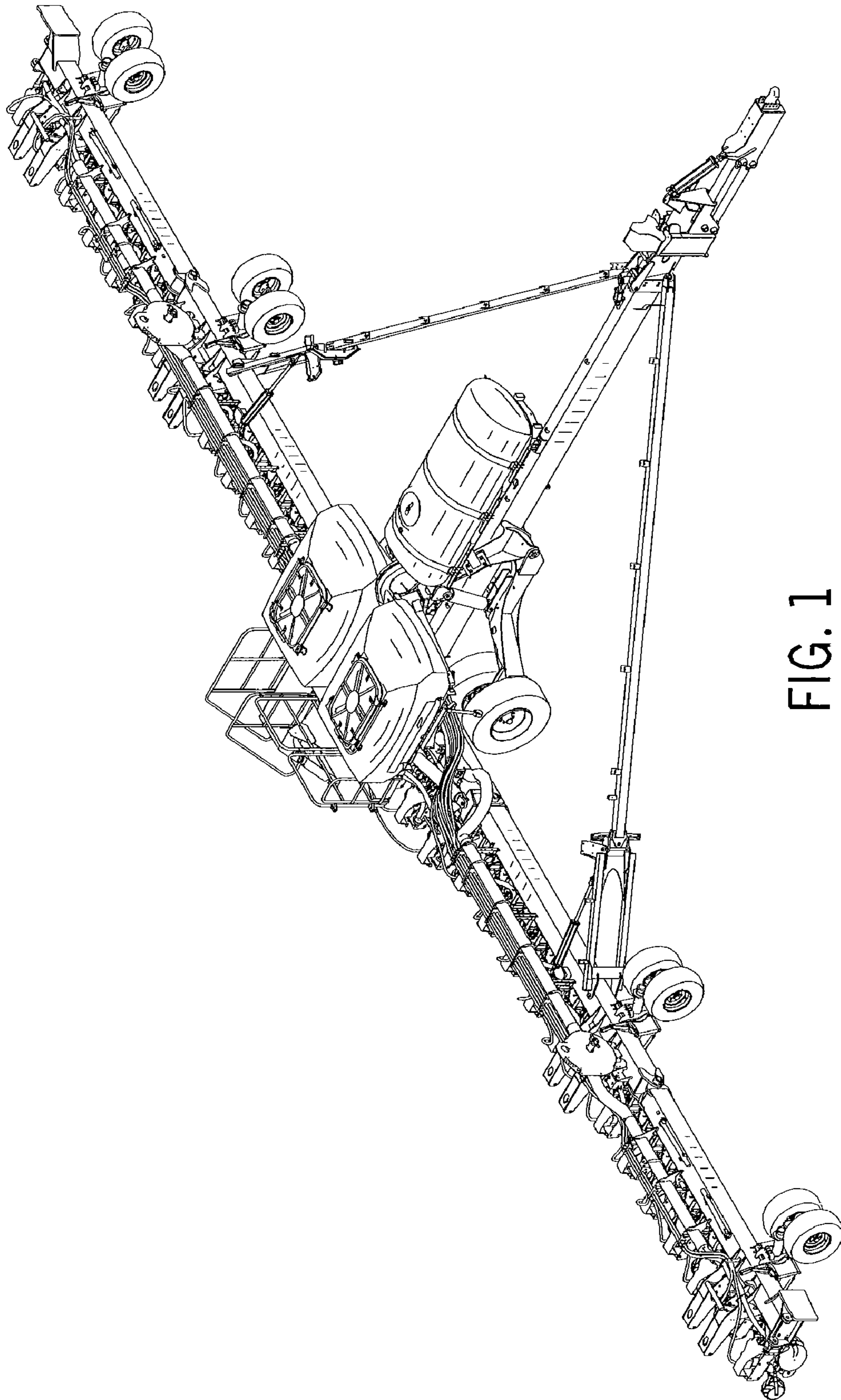


FIG. 1

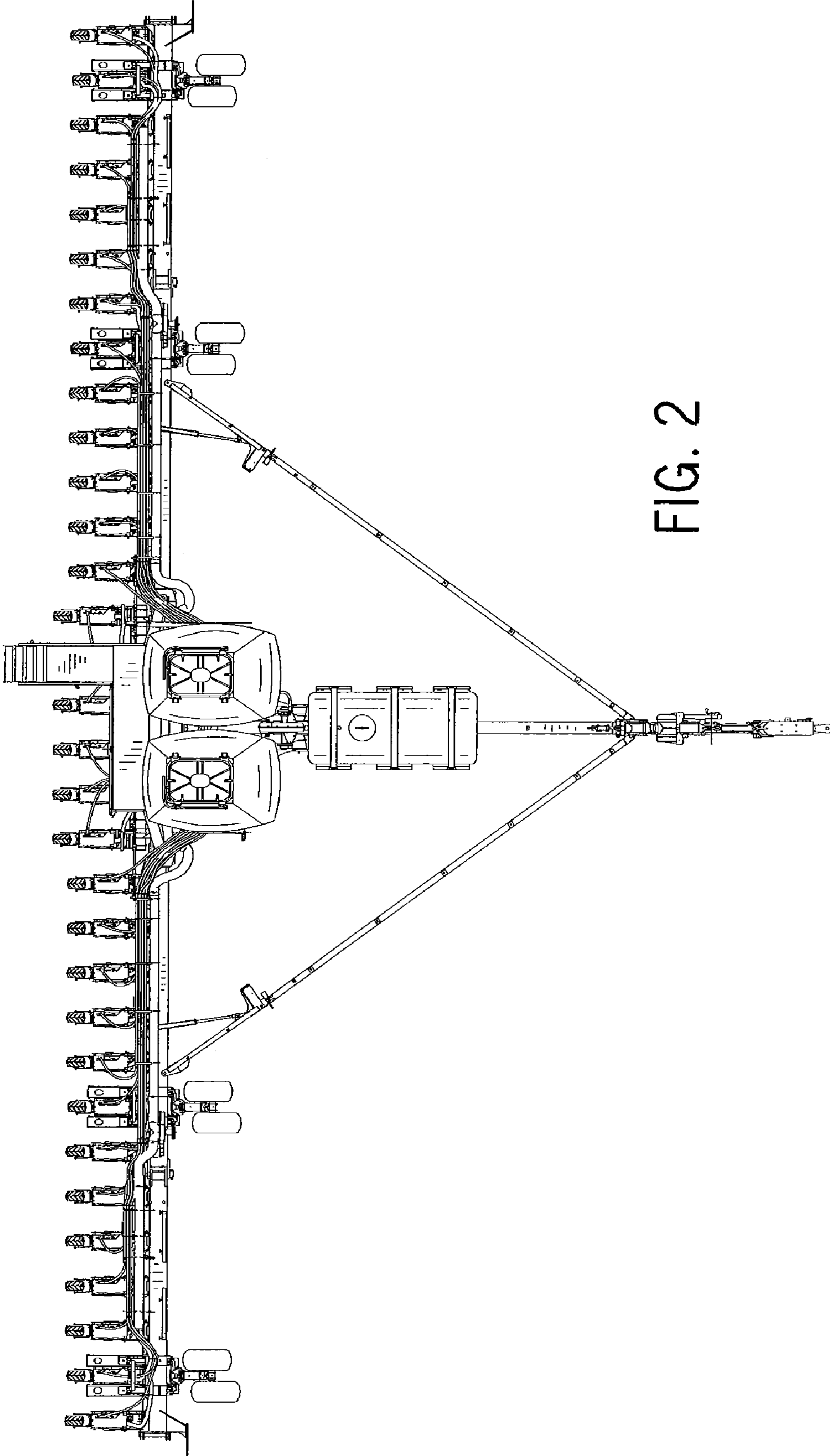


FIG. 2

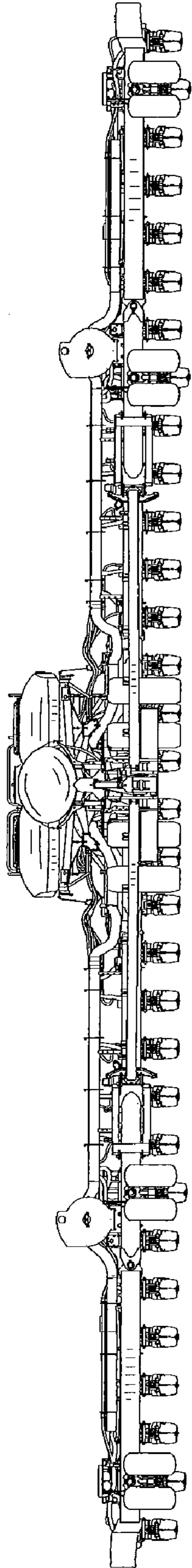


FIG. 3

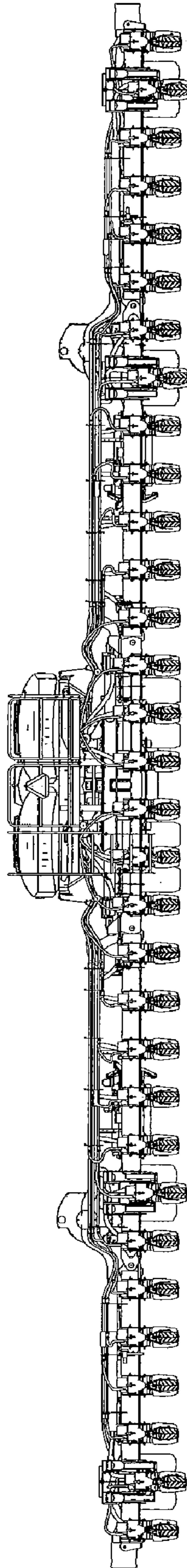


FIG. 4

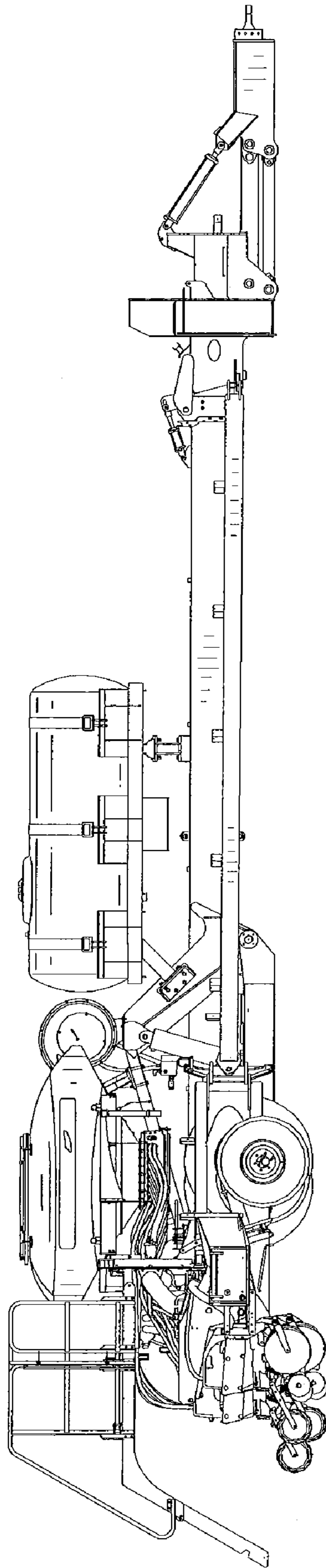


FIG. 5