



US00D631065S

(12) **United States Design Patent**
Burgess et al.

(10) **Patent No.:** **US D631,065 S**
(45) **Date of Patent:** **** Jan. 18, 2011**

(54) **IMPELLER**

D615,102 S * 5/2010 Tarui et al. D15/7
D616,468 S * 5/2010 Bossom D15/7
D617,815 S * 6/2010 Tarui et al. D15/7

(75) Inventors: **Kevin Edward Burgess**, Carlingford (AU); **Garry Bruce Graves**, Marsfield (AU); **Wen-Jie Liu**, Eastwood (AU)

FOREIGN PATENT DOCUMENTS

(73) Assignee: **Weir Minerals Australia, Ltd.** (AU)

FR 2676783 A1 11/1992
GB 1277416 A 6/1972
JP 9209984 A 8/1997

(**) Term: **14 Years**

* cited by examiner

(21) Appl. No.: **29/316,706**

Primary Examiner—Ralf Seifert

(22) Filed: **Oct. 23, 2009**

(74) *Attorney, Agent, or Firm*—Morris O’Bryant Compagni

(30) **Foreign Application Priority Data**

(57) **CLAIM**

Apr. 24, 2009 (AU) 11379/2009

The ornamental design for the impeller, as shown and described herein.

(51) **LOC (9) Cl.** **15-02**

(52) **U.S. Cl.** **D15/9**

(58) **Field of Classification Search** D15/7–9;
D23/231, 232, 225, 213; 417/410.1, 359,
417/415–416, 234, 321, 265, 405, 429
See application file for complete search history.

DESCRIPTION

FIG. 1 is a perspective view of the impeller of the invention, depicting a front or suction side of the impeller;

FIG. 2 is a perspective view of the impeller, depicting a rear or drive side of the impeller;

FIG. 3 is a view in elevation of the impeller depicting the front side;

FIG. 4 is a view in elevation of the impeller depicting the rear side;

FIG. 5 is a top plan view of the impeller as shown in FIG. 3;
FIG. 6 is a bottom plan view of the impeller as shown in FIG. 3;

FIG. 7 is a first side view of the impeller as shown in FIG. 3; and,

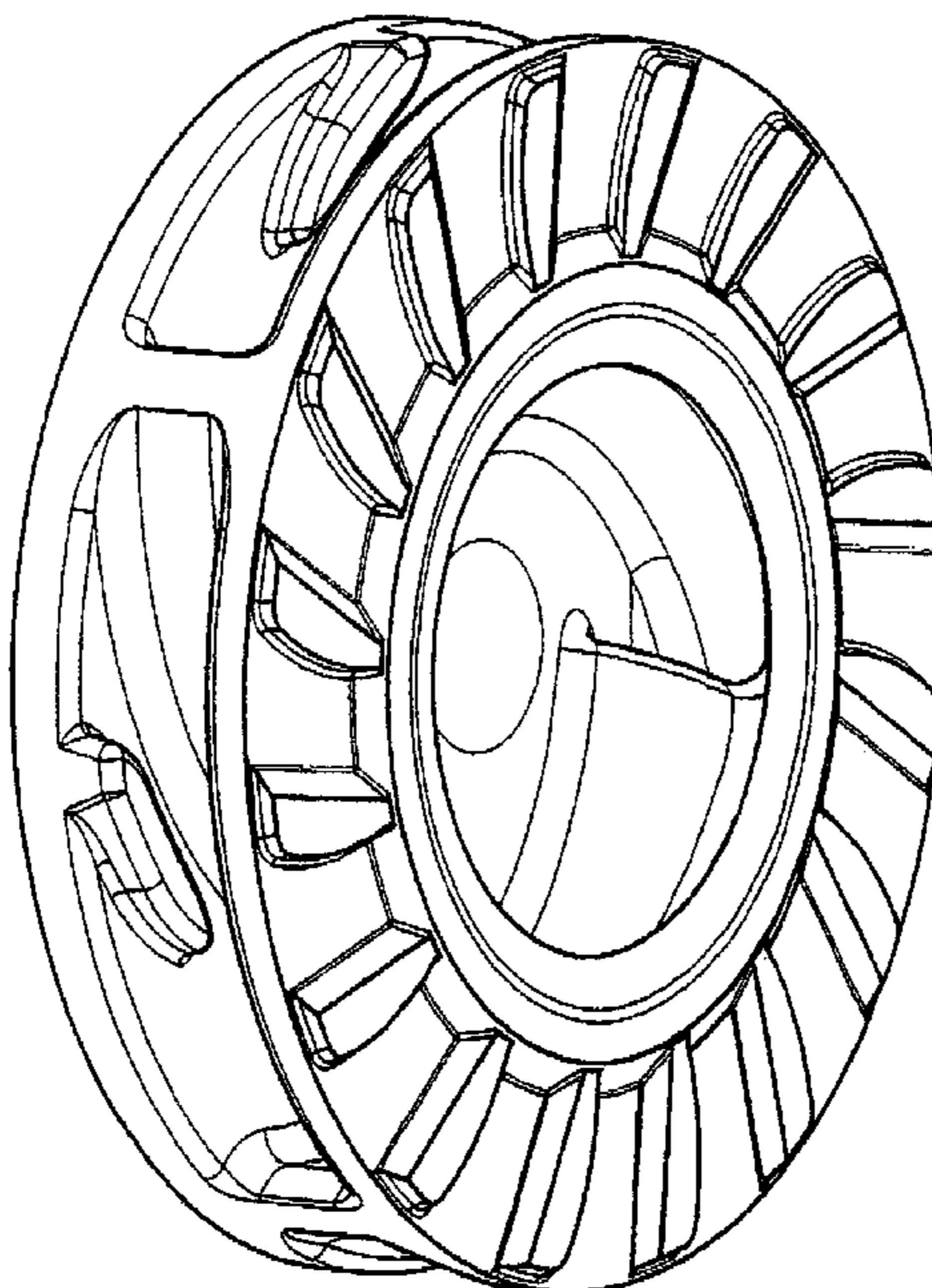
FIG. 8 is a second side view of the impeller.

(56) **References Cited**

U.S. PATENT DOCUMENTS

1,959,703 A 5/1934 Birman
2,753,808 A 7/1956 Kluge
3,228,344 A 1/1966 Cooper
3,953,150 A 4/1976 Onal
5,002,461 A 3/1991 Young et al.
5,368,443 A 11/1994 Turkia et al.
D443,281 S 6/2001 Sodergard
6,508,626 B1 1/2003 Sakurai et al.
D554,150 S * 10/2007 Fausett et al. D15/5
D586,826 S * 2/2009 Cantrill et al. D15/7
D607,472 S * 1/2010 Nishi et al. D15/7

1 Claim, 8 Drawing Sheets



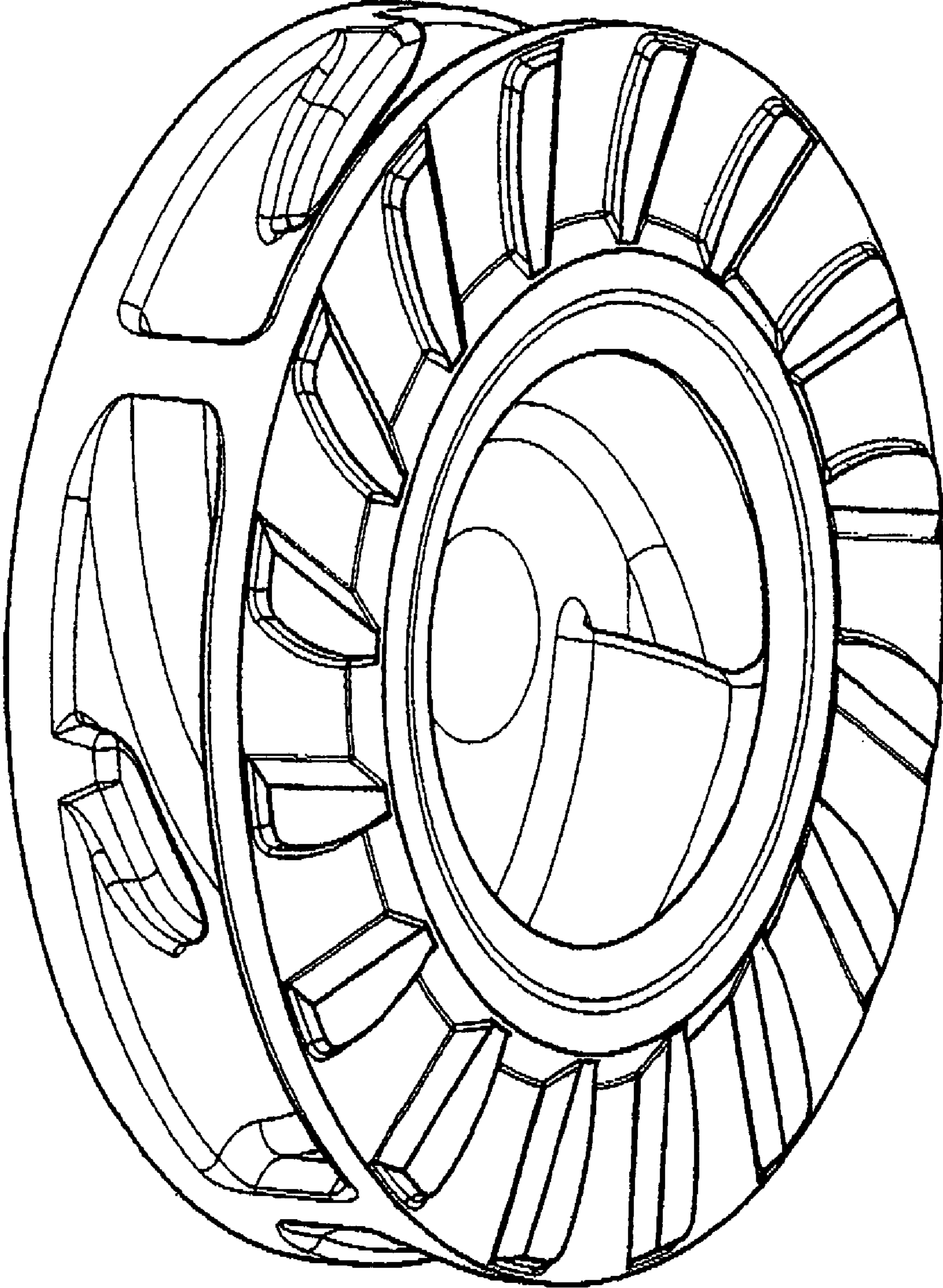


FIG. 1

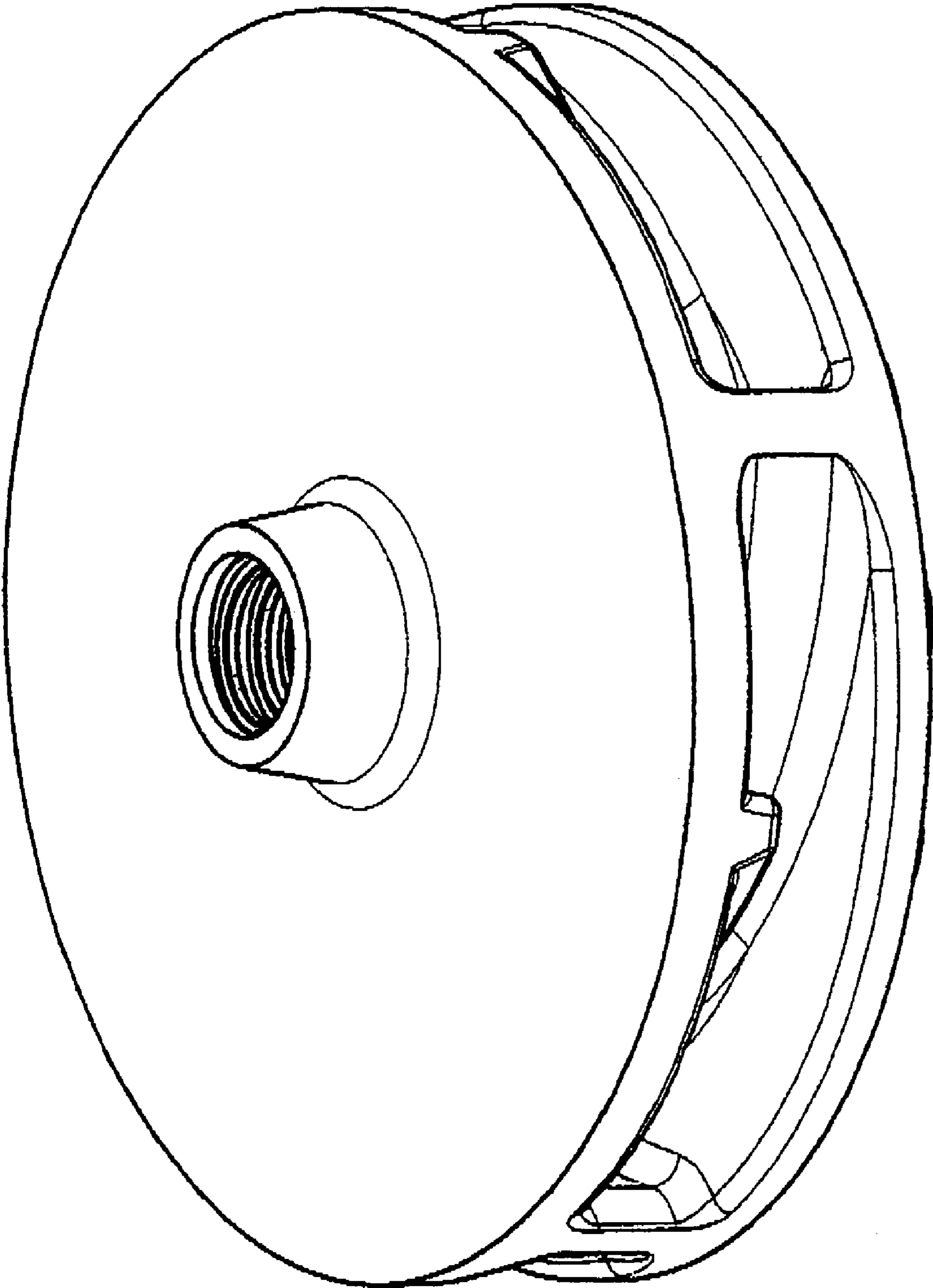


FIG. 2

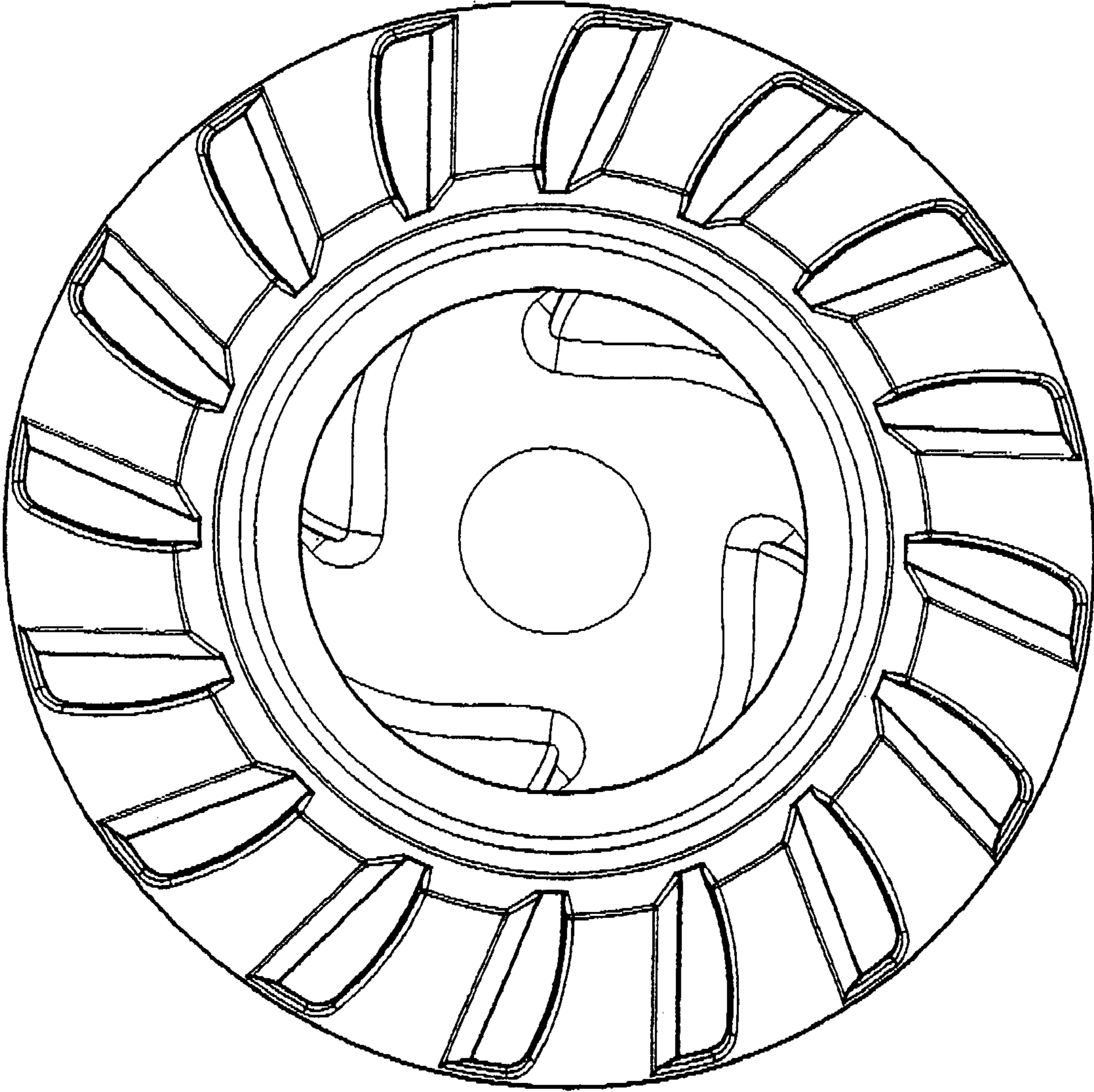


FIG. 3

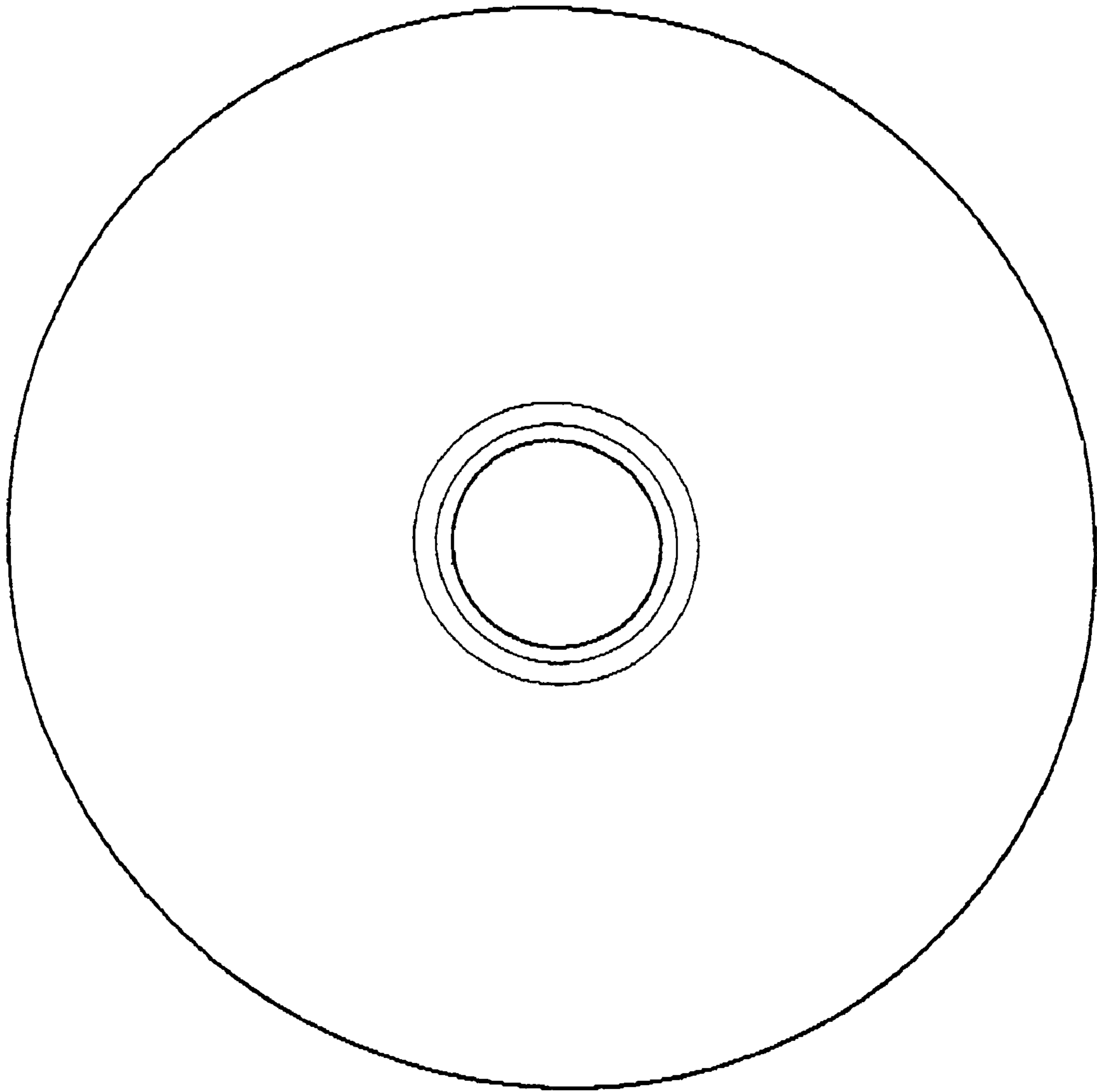


FIG. 4

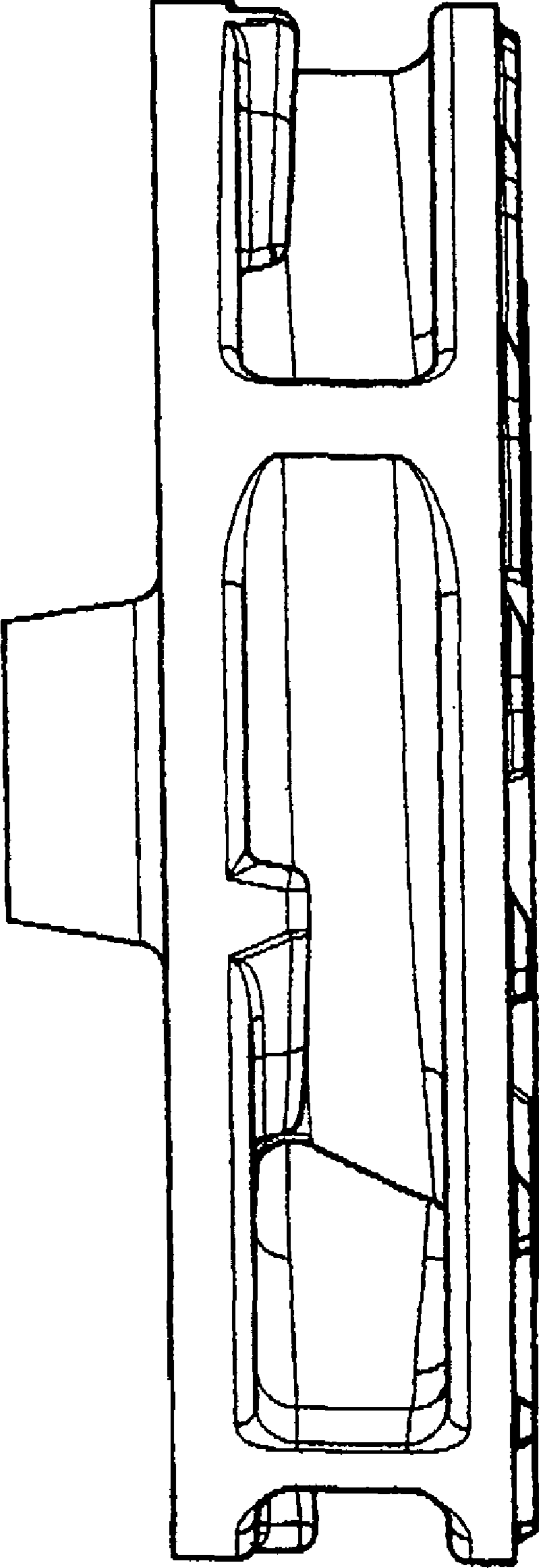


FIG. 5

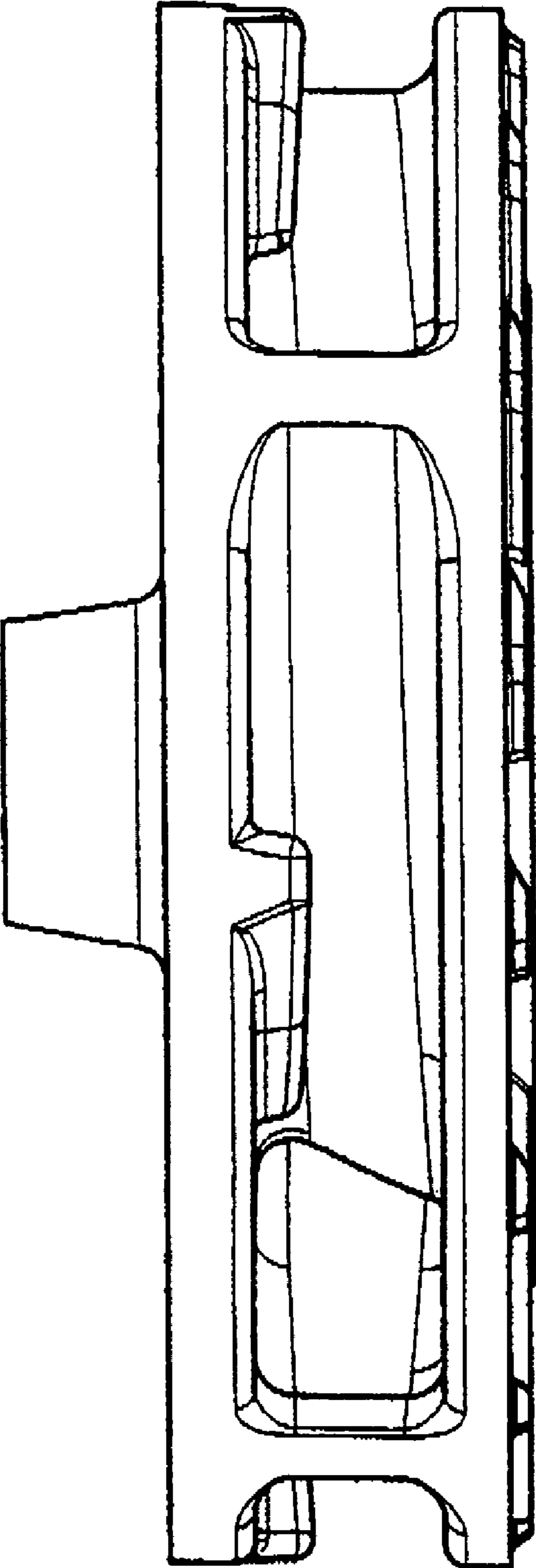


FIG. 6

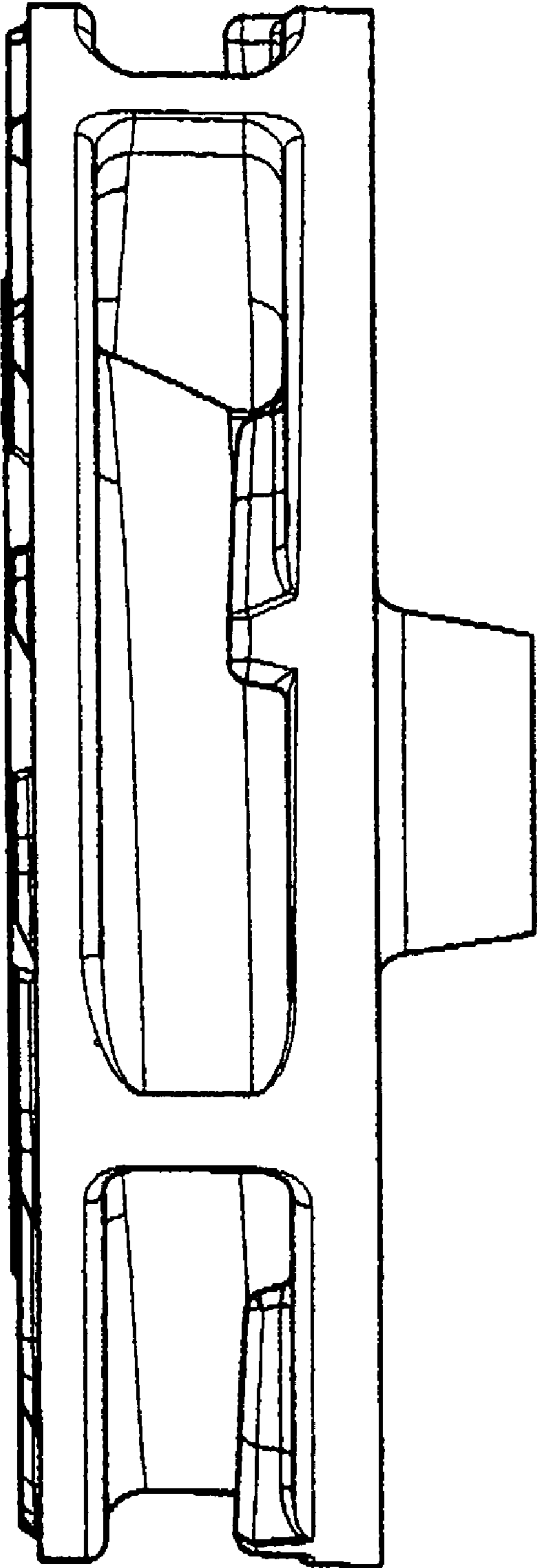


FIG. 7

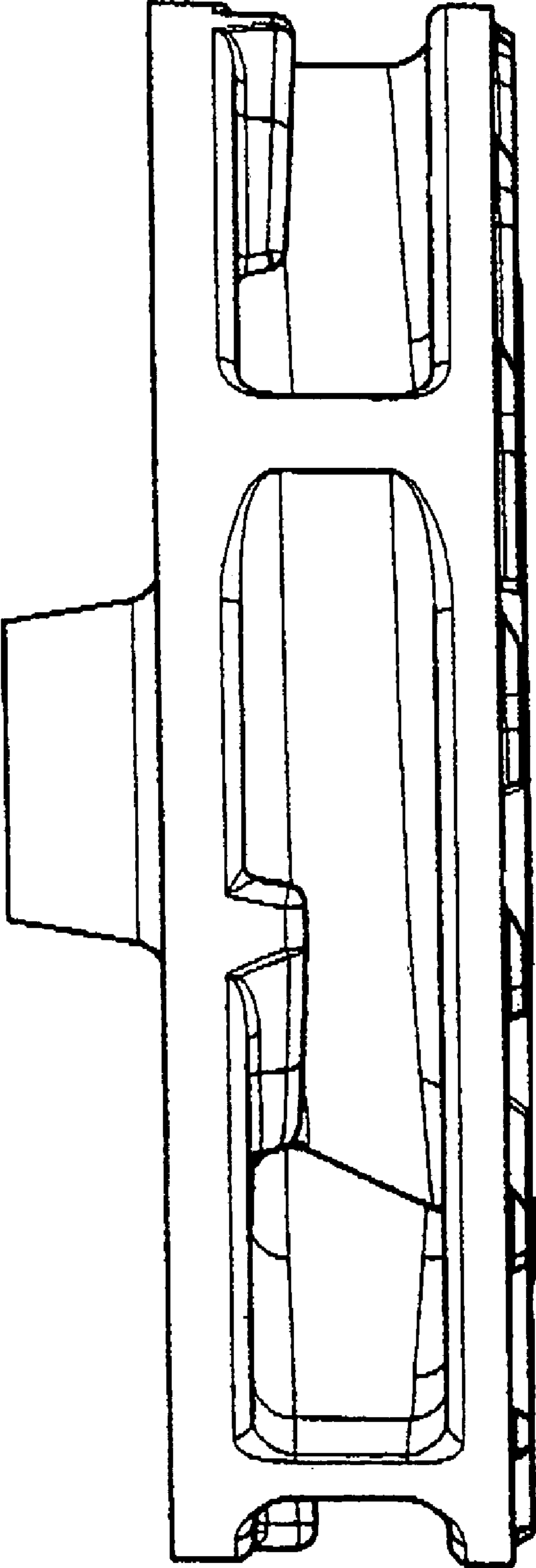


FIG. 8