



US00D631064S

(12) **United States Design Patent**
Bergling

(10) **Patent No.:** **US D631,064 S**

(45) **Date of Patent:** **** Jan. 18, 2011**

(54) **TELESCOPIC ARM FOR EXHAUST DEVICE**

(75) Inventor: **Fredrik Bergling**, Nyhamnsläge (SE)

(73) Assignee: **AB Ph. Nederman & Co**, Helsingborg (SE)

(**) Term: **14 Years**

(21) Appl. No.: **29/336,425**

(22) Filed: **May 4, 2009**

(30) **Foreign Application Priority Data**

Nov. 7, 2008 (EM) 001035414-0001

(51) **LOC (9) Cl.** **15-01**

(52) **U.S. Cl.** **D15/5**

(58) **Field of Classification Search** D15/1,
D15/2, 3, 5, 6, 14, 17, 149; 123/22, 41.34,
123/51 A, 606 R, 52.1, 50 A, 50 B, 54.1,
123/54.2, 54.4, 54.5, 65 R, 195 R, 195 HC,
123/657, 311; D12/194

See application file for complete search history.

(56) **References Cited**

U.S. PATENT DOCUMENTS

D247,360 S * 2/1978 Hamaguchi et al. D12/194

D341,597 S * 11/1993 Benson D15/5

* cited by examiner

Primary Examiner—T. Chase Nelson

Assistant Examiner—Ania K Dworzecka

(74) *Attorney, Agent, or Firm*—Volpe and Koenig, P.C.

(57) **CLAIM**

The ornamental design for telescopic arm for exhaust device, as shown and described.

DESCRIPTION

FIG. 1 is a top perspective view of a telescopic arm for exhaust device showing my new design;

FIG. 2 is a bottom perspective view of the telescopic arm of FIG. 1;

FIG. 3 is a front elevation view of the telescopic arm of FIG. 1;

FIG. 4 is a rear elevation view of the telescopic arm of FIG. 1;

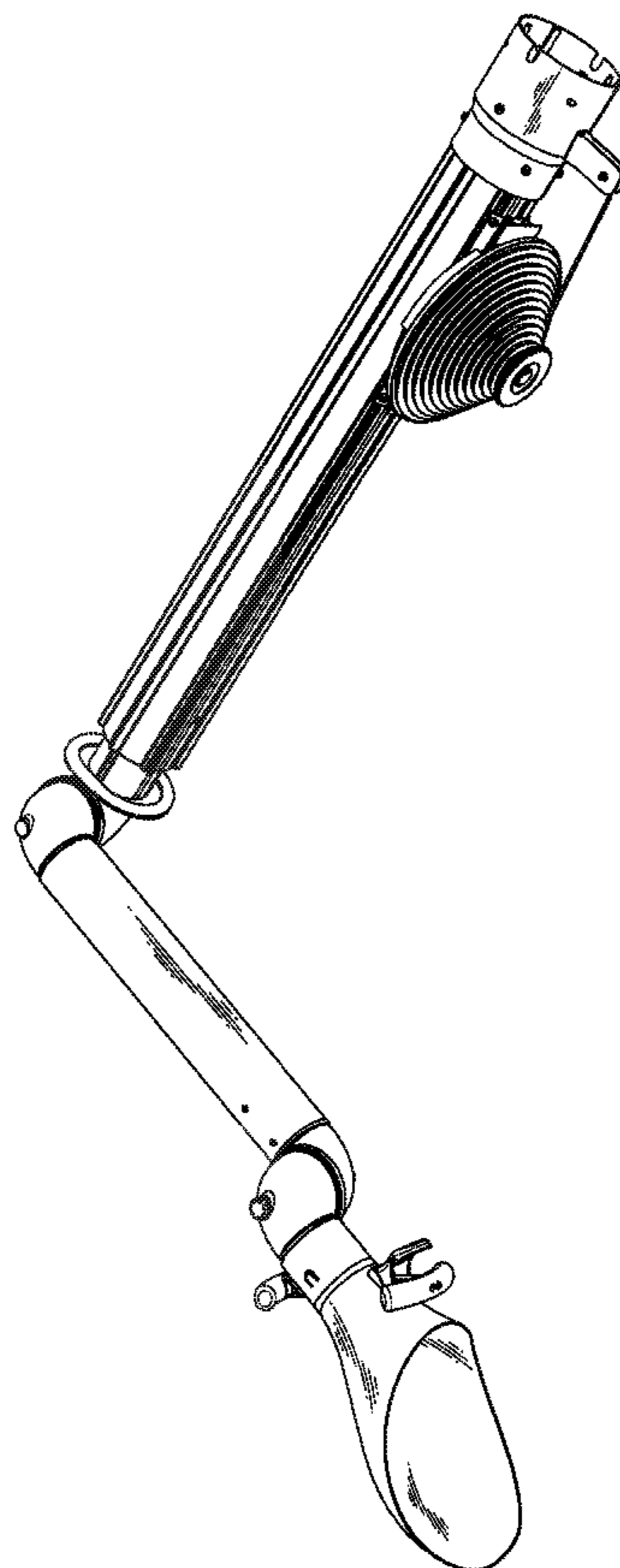
FIG. 5 is a side elevation view of the telescopic arm of FIG. 1;

FIG. 6 is a top plan view of the telescopic arm of FIG. 1; and,

FIG. 7 is a bottom plan view of the telescopic arm of FIG. 1.

The broken lines in the interior elements depicted in the drawings are for illustrative purposes only and form no part of the claimed design.

1 Claim, 7 Drawing Sheets



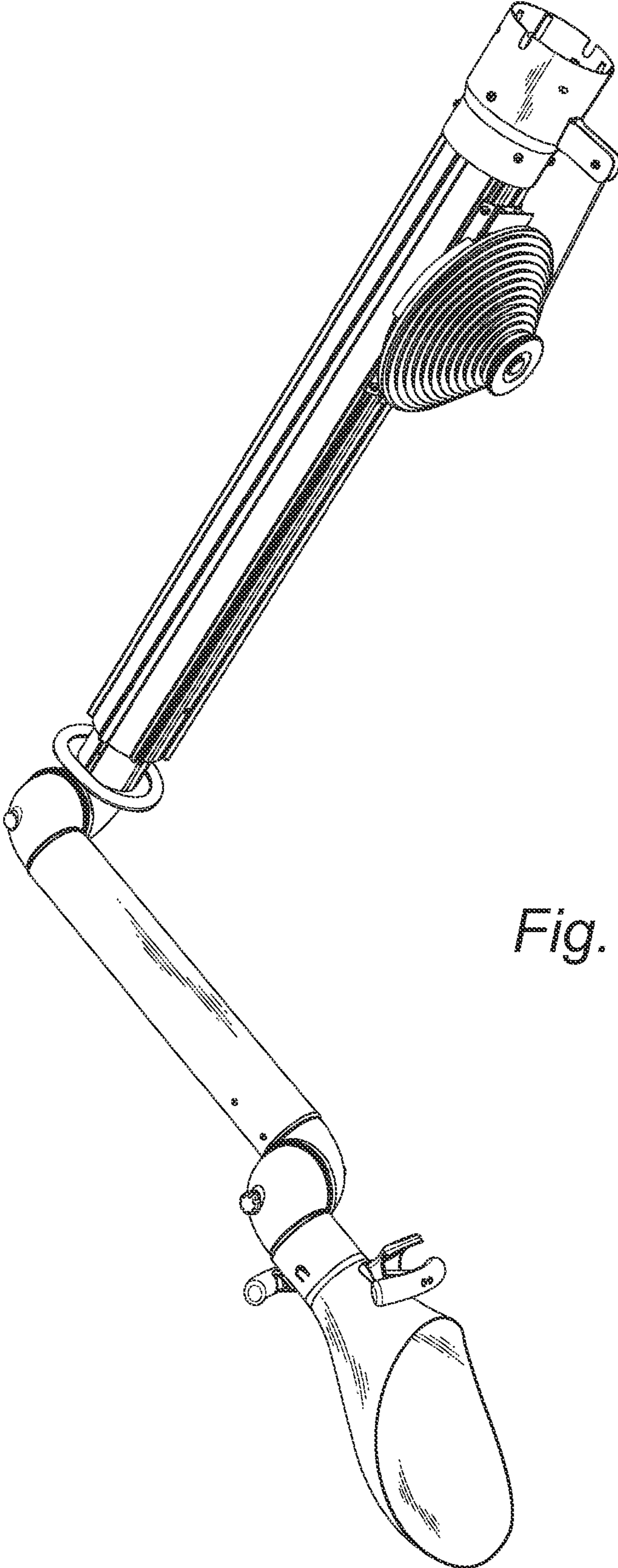


Fig. 1

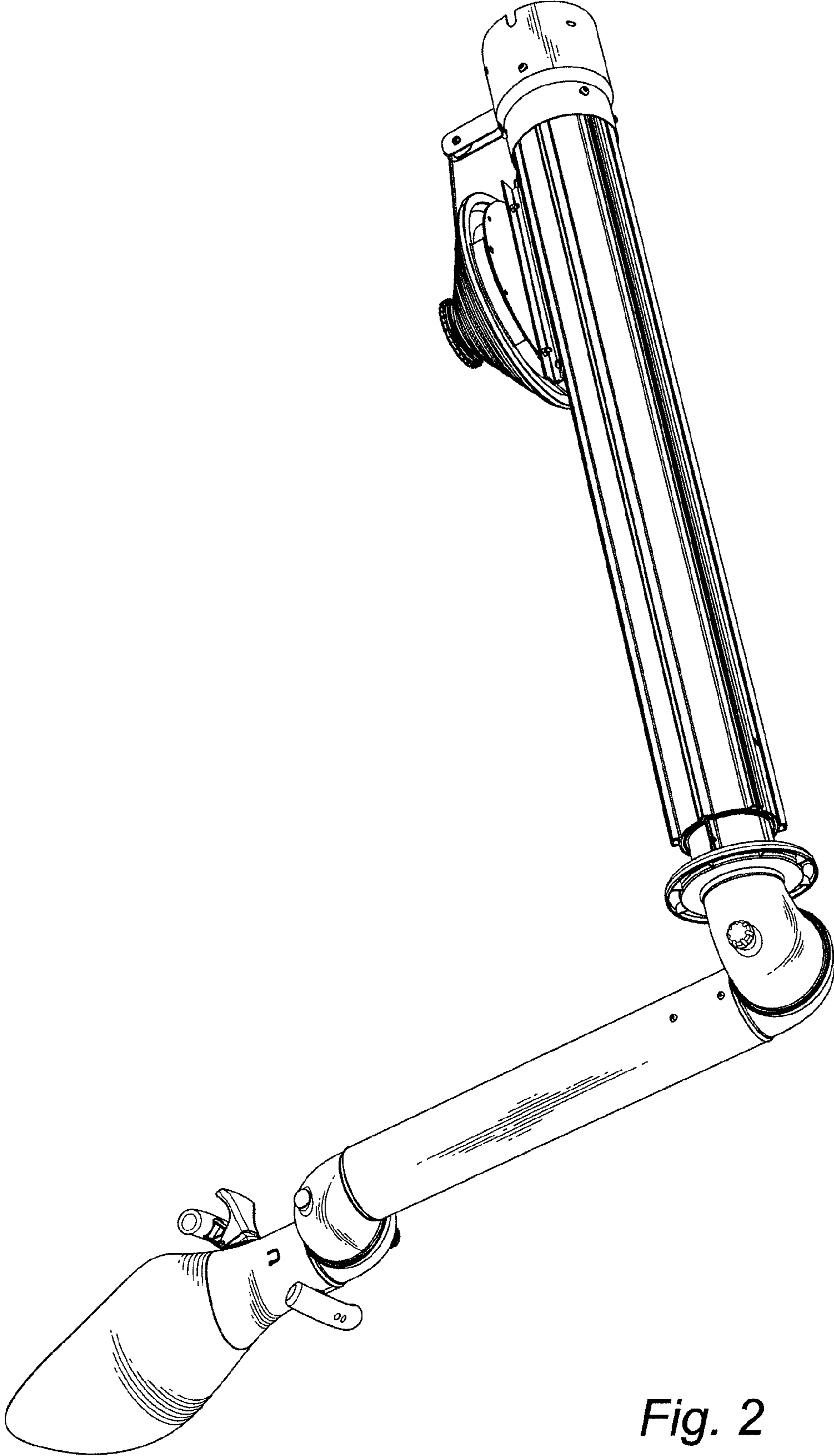


Fig. 2

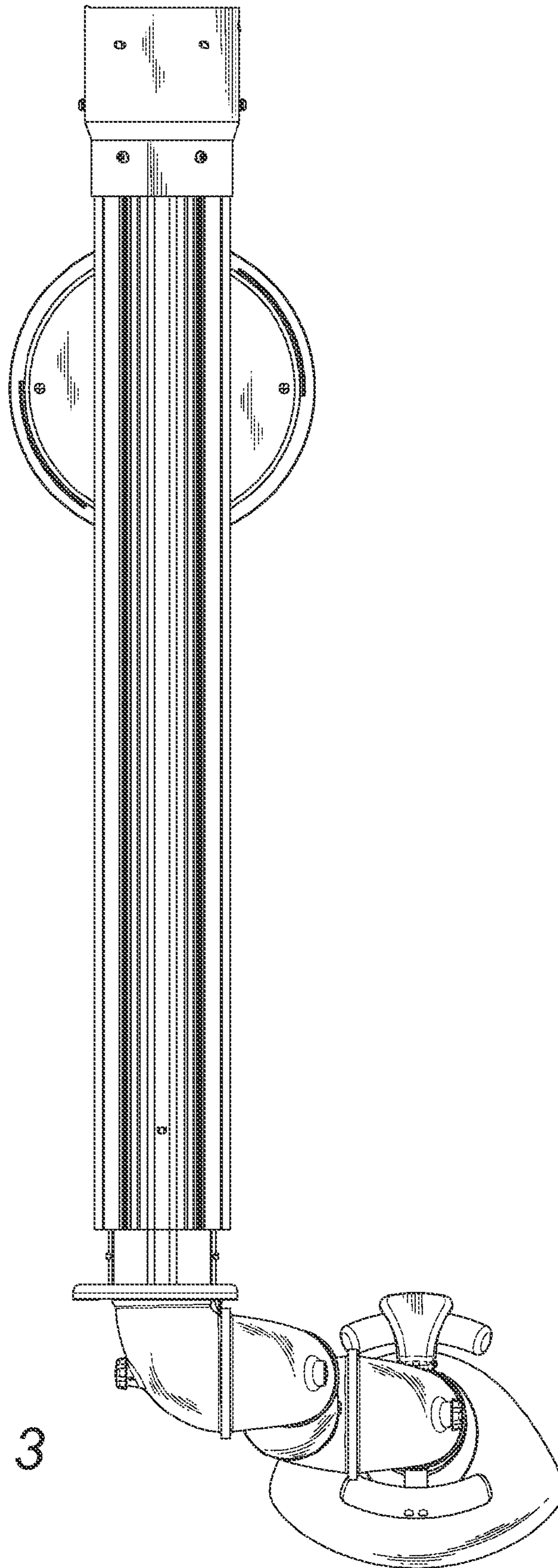


Fig. 3

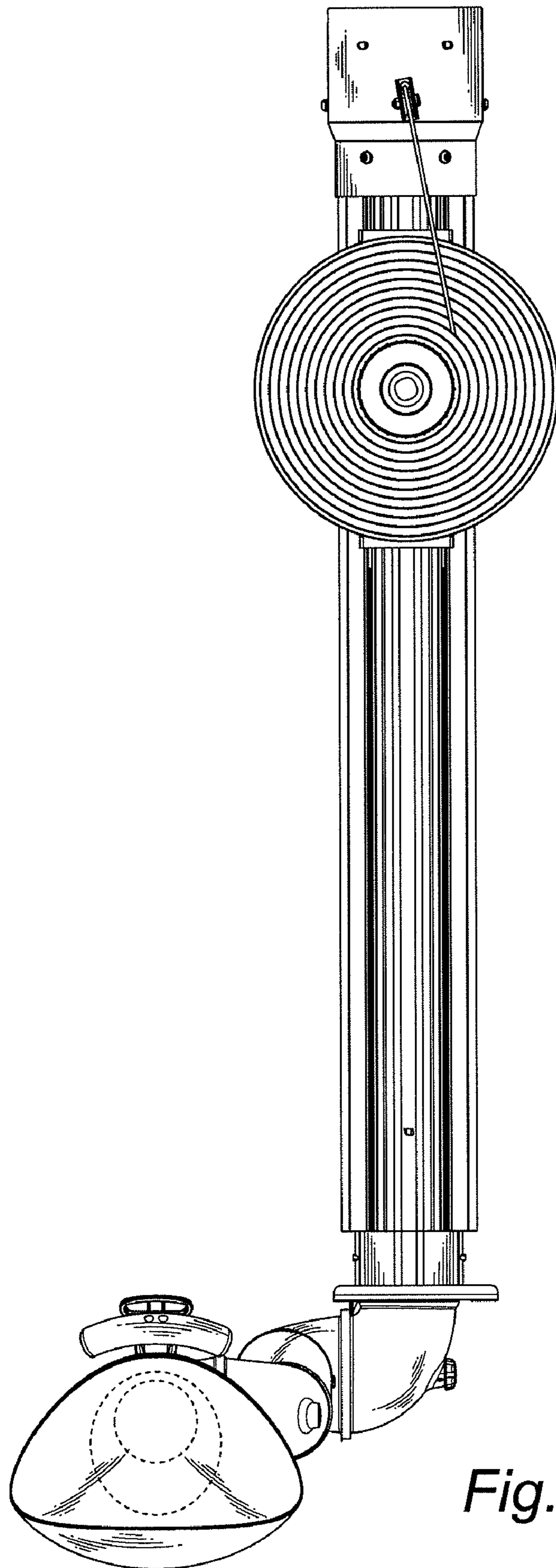


Fig. 4

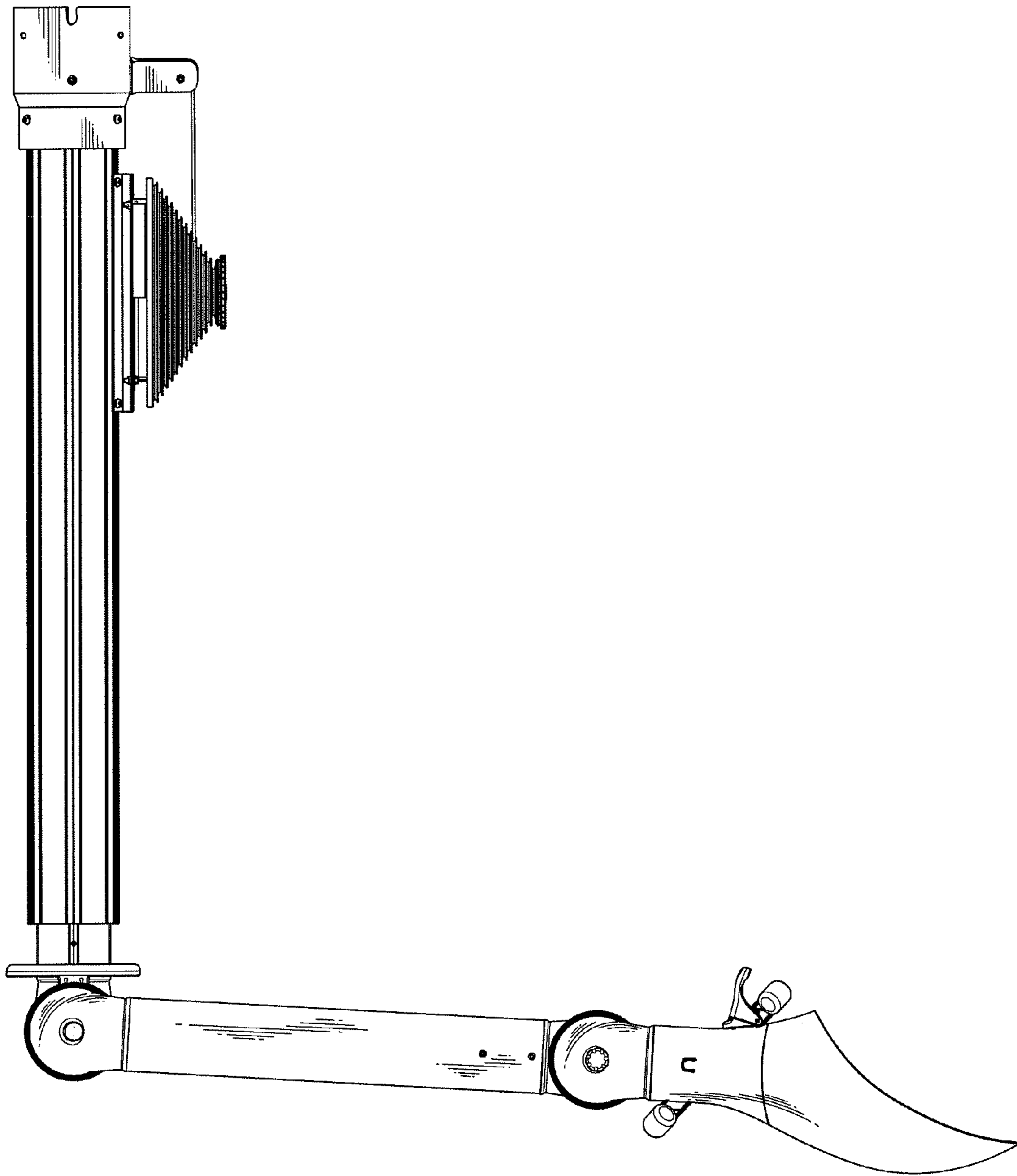


Fig. 5

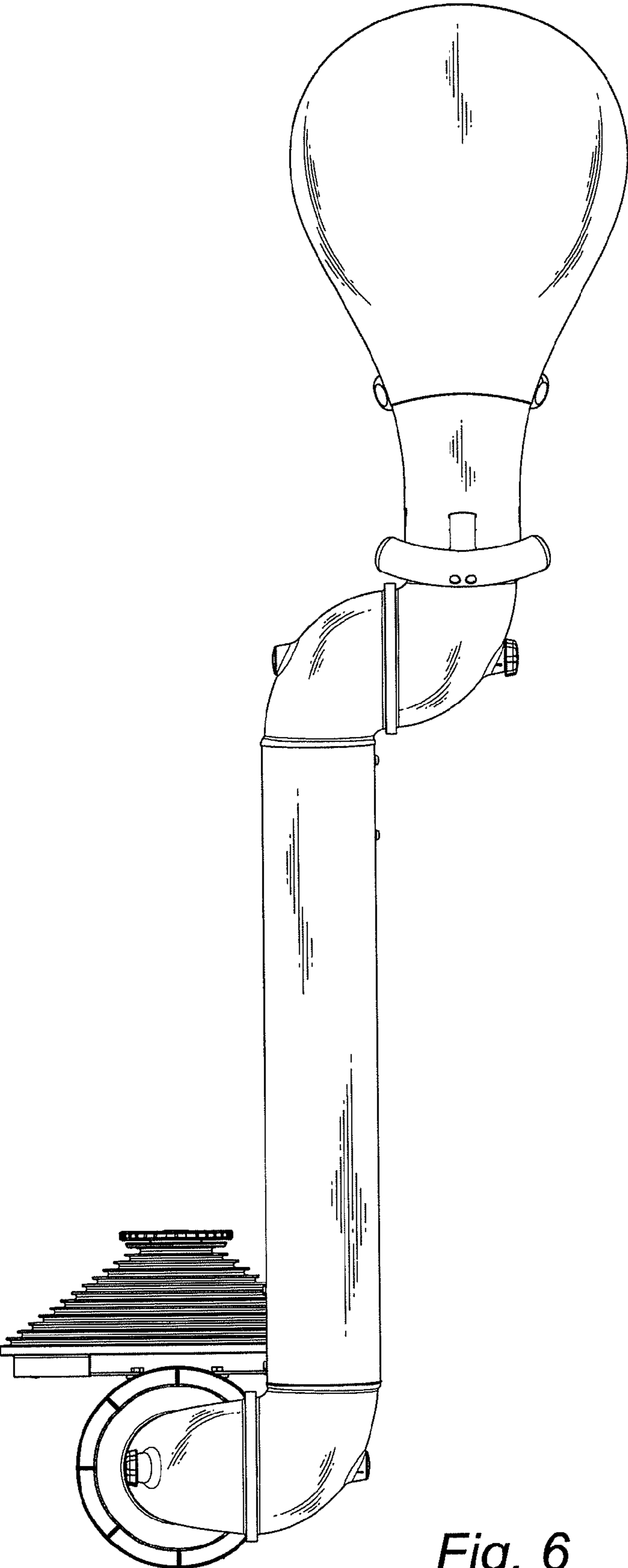


Fig. 6

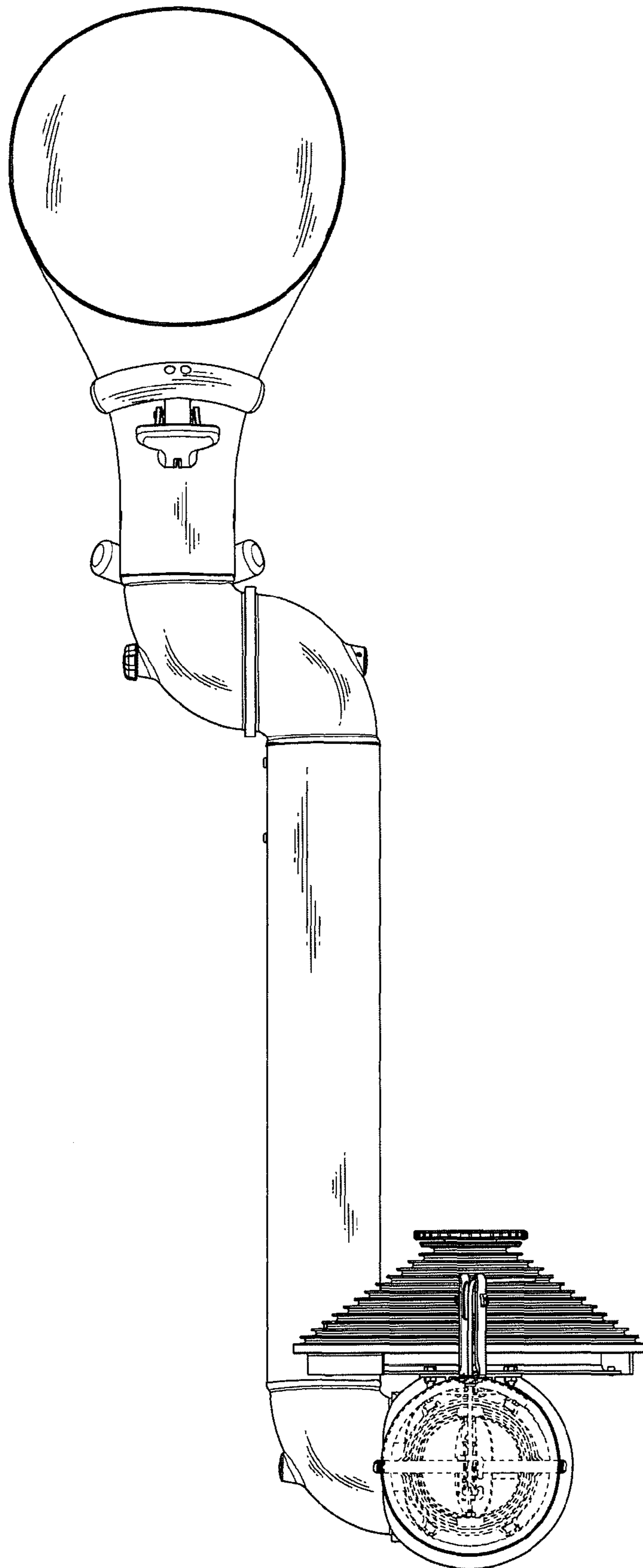


Fig. 7