



US00D631062S

(12) **United States Design Patent**  
**Bennett**

(10) **Patent No.:** **US D631,062 S**  
(45) **Date of Patent:** **\*\* Jan. 18, 2011**

(54) **ELECTRONIC DEVICE**

(76) Inventor: **Betty Ann Bennett**, 1715 Berkeley St.,  
Santa Monica, CA (US) 90404

(\*\*) Term: **14 Years**

(21) Appl. No.: **29/361,503**

(22) Filed: **May 12, 2010**

D585,945 S	2/2009	Yamashita	
7,554,526 B2	6/2009	Logue	
D598,426 S *	8/2009	Kim et al.	..... D14/203.7
D612,866 S	3/2010	Sukeda	
D612,868 S	3/2010	Morabito	
D613,763 S	4/2010	Jones	
D615,993 S *	5/2010	Ho	..... D14/496
D616,866 S *	6/2010	Ito	..... D14/217
D620,922 S *	8/2010	Skurdal	..... D14/209.1
2005/0077843 A1	4/2005	Benditt	
2008/0229914 A1	9/2008	Nathanial	

**Related U.S. Application Data**

(63) Continuation-in-part of application No. 12/607,177,  
filed on Oct. 28, 2009.

(51) **LOC (9) Cl.** ..... **14-03**

(52) **U.S. Cl.** ..... **D14/496**

(58) **Field of Classification Search** ..... D14/496,  
D14/401, 435, 474, 483, 217, 137, 138, 160,  
D14/168, 356, 203.1–203.8, 507; 345/156,  
345/169, 173–179, 905; 715/727–729, 864;  
710/1, 5, 8; 713/1, 600; 455/1.1, 1.7, 73,  
455/344–347, 93, 95, 3.01–3.06, 550.1, 573.1;  
370/342–344; 369/1, 2, 6–12; 463/43–47;  
273/148 B; D17/1, 2, 99; 84/644, 647  
See application file for complete search history.

(56) **References Cited**

**U.S. PATENT DOCUMENTS**

2,308,199 A *	1/1943	Mullenbach	.....	322/80
3,342,094 A *	9/1967	Wilson	.....	84/423 R
3,433,881 A *	3/1969	Cotten	.....	84/721
3,560,629 A *	2/1971	Tucci	.....	74/478
4,046,049 A	9/1977	Luce		
D486,496 S	2/2004	Cookson		
D503,173 S	3/2005	Hussaini		
D545,810 S *	7/2007	Hussaini et al.	.....	D14/168
D549,227 S	8/2007	Li		
D553,620 S	10/2007	Schroeder		

\* cited by examiner

*Primary Examiner*—Prabhakar Deshmukh

(57) **CLAIM**

I claim the ornamental design for an electronic device, as  
shown and described.

**DESCRIPTION**

FIG. 1 is a perspective view from the top, front left of an  
ornamental design for an electronic device;

FIG. 2 is a perspective view from the top, front right thereof;

FIG. 3 is a top view thereof;

FIG. 4 is a bottom view thereof;

FIG. 5 is a left side view thereof;

FIG. 6 is a right side view thereof;

FIG. 7 is a front view thereof;

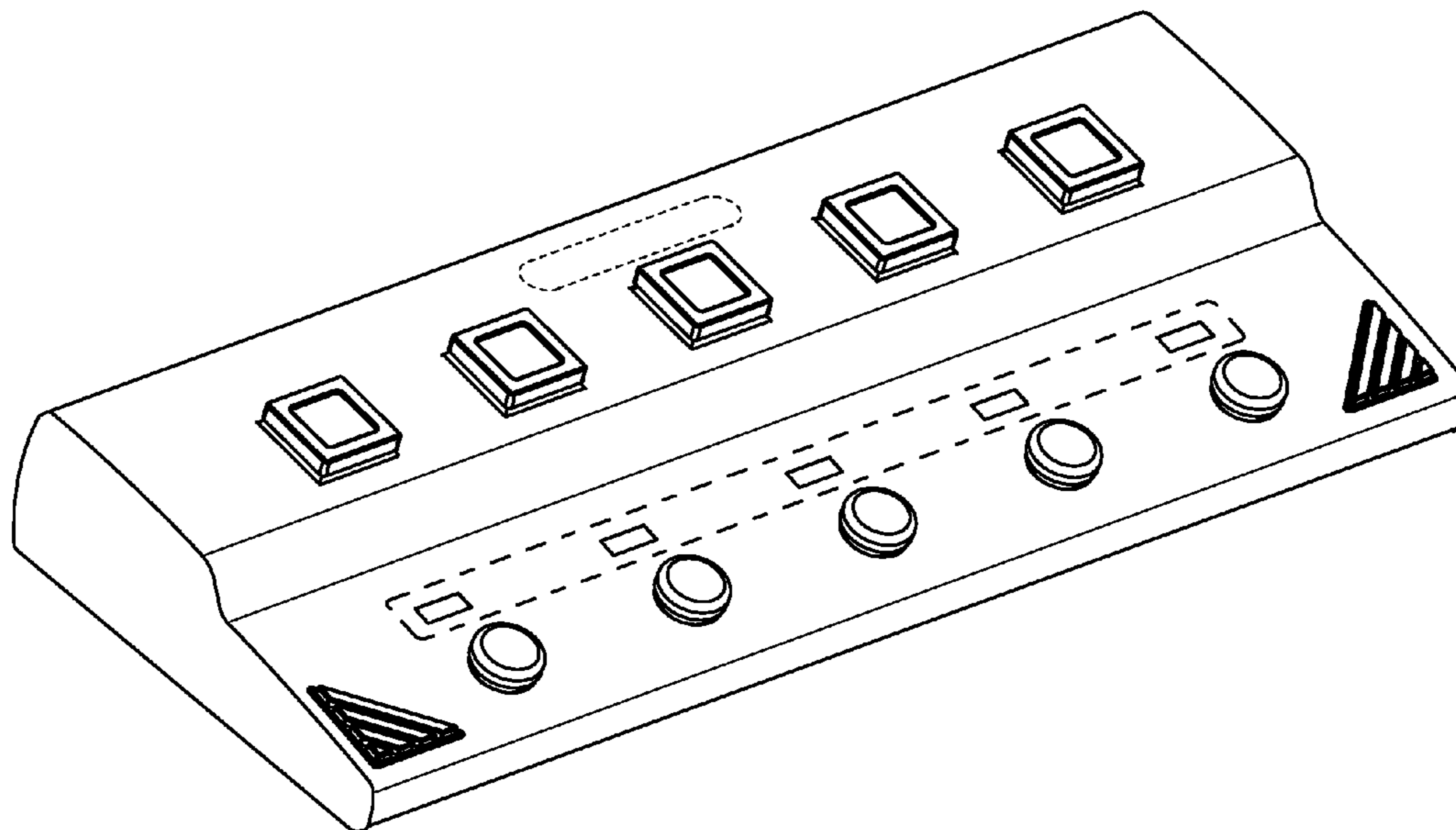
FIG. 8 is a rear view thereof;

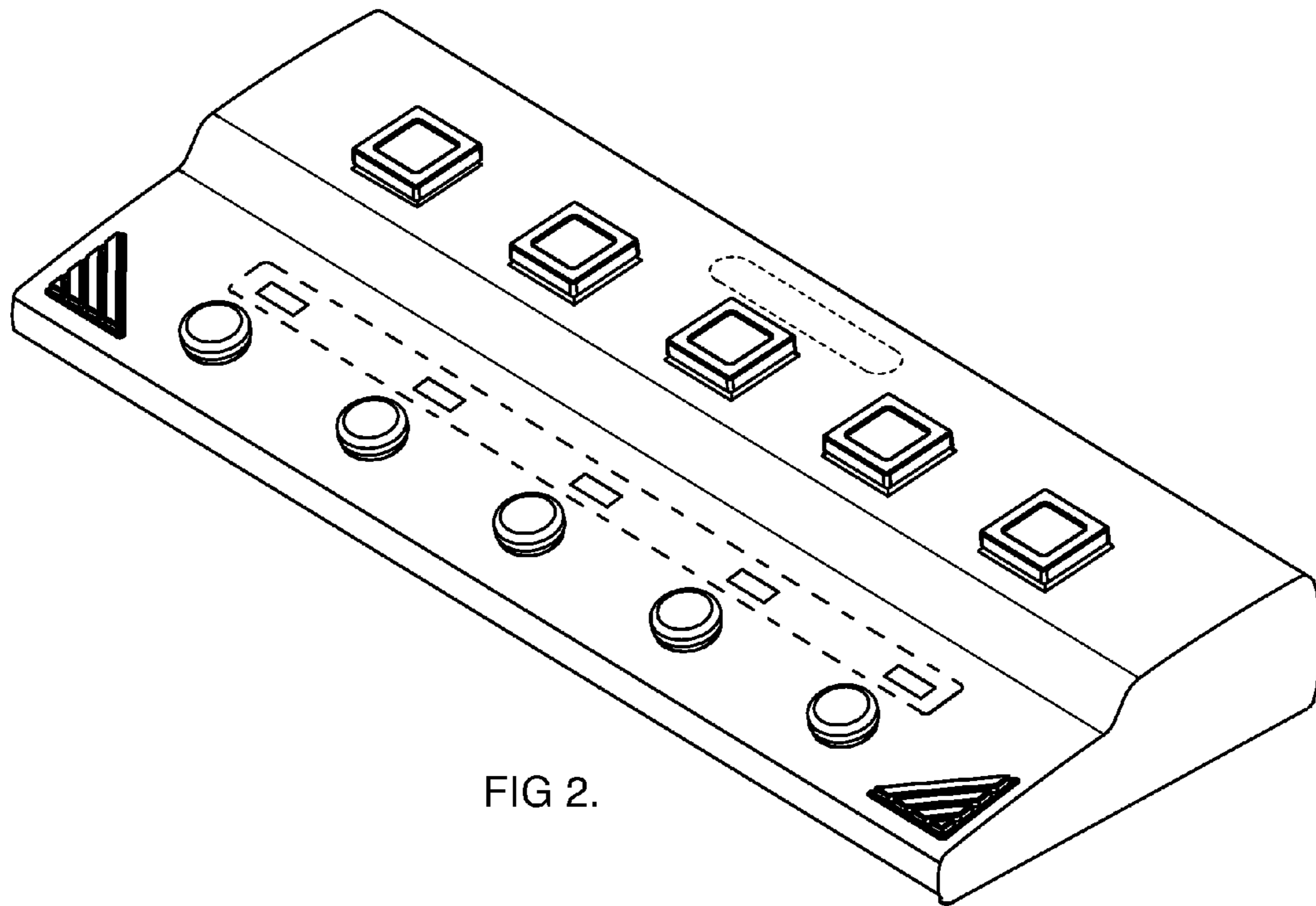
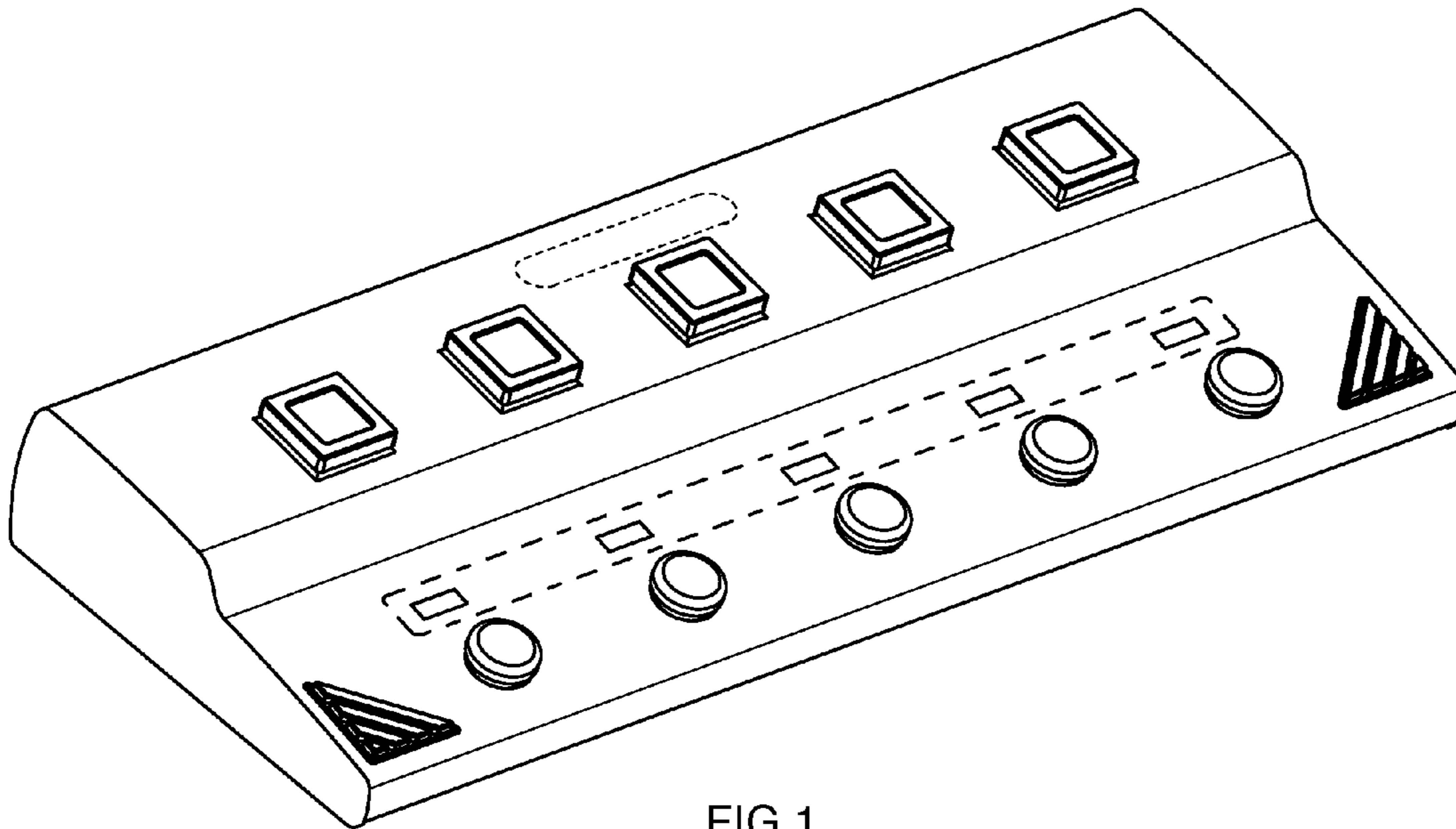
FIG. 9 is a perspective view from the top, rear left thereof;  
and,

FIG. 10 is a perspective view from the top, rear right thereof.

Broken lines in the drawings are for illustrative purposes only  
and form no part of the claimed design.

**1 Claim, 4 Drawing Sheets**





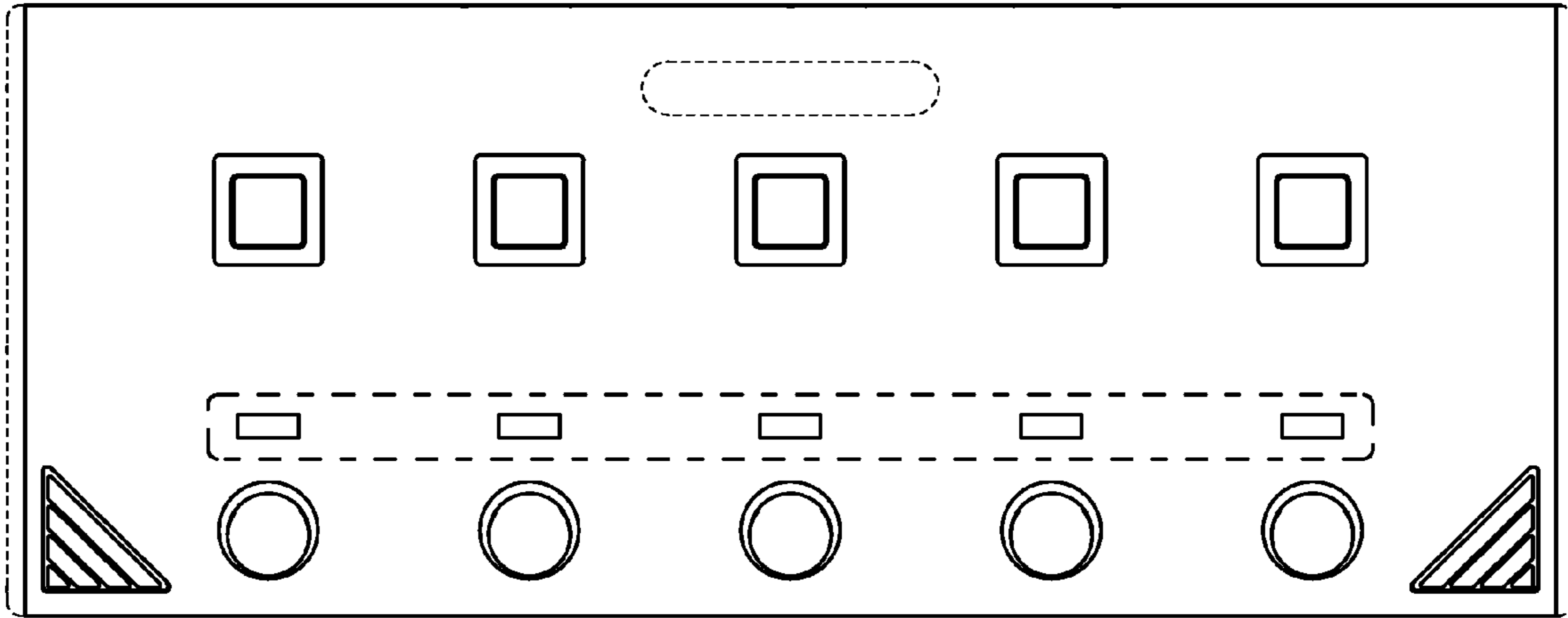


FIG 3.

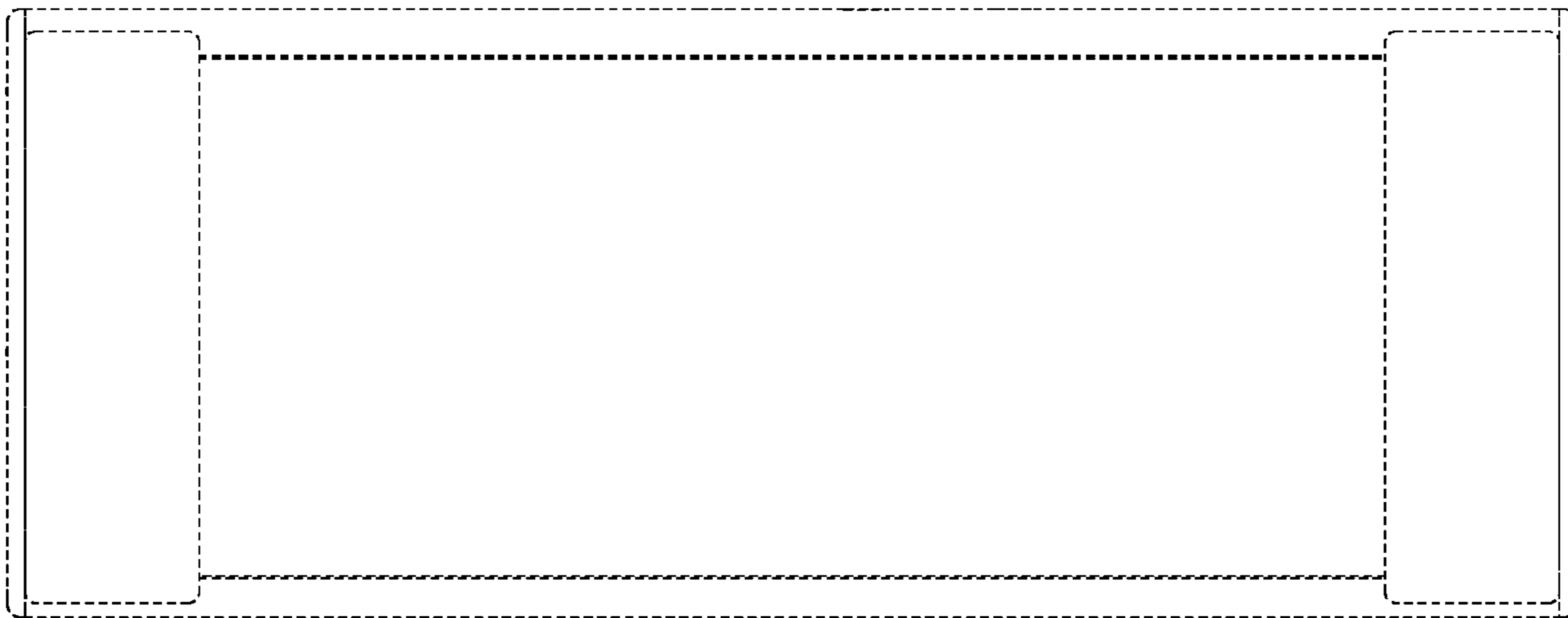


FIG 4.

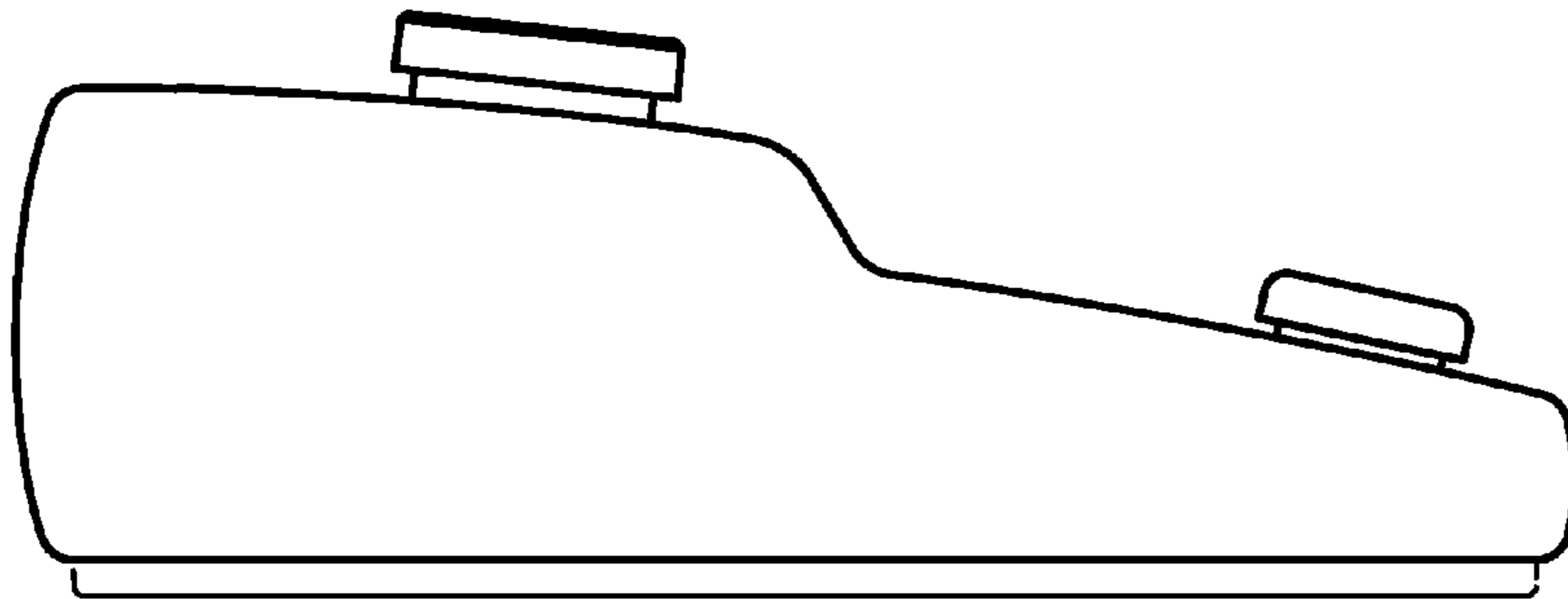


FIG 5.

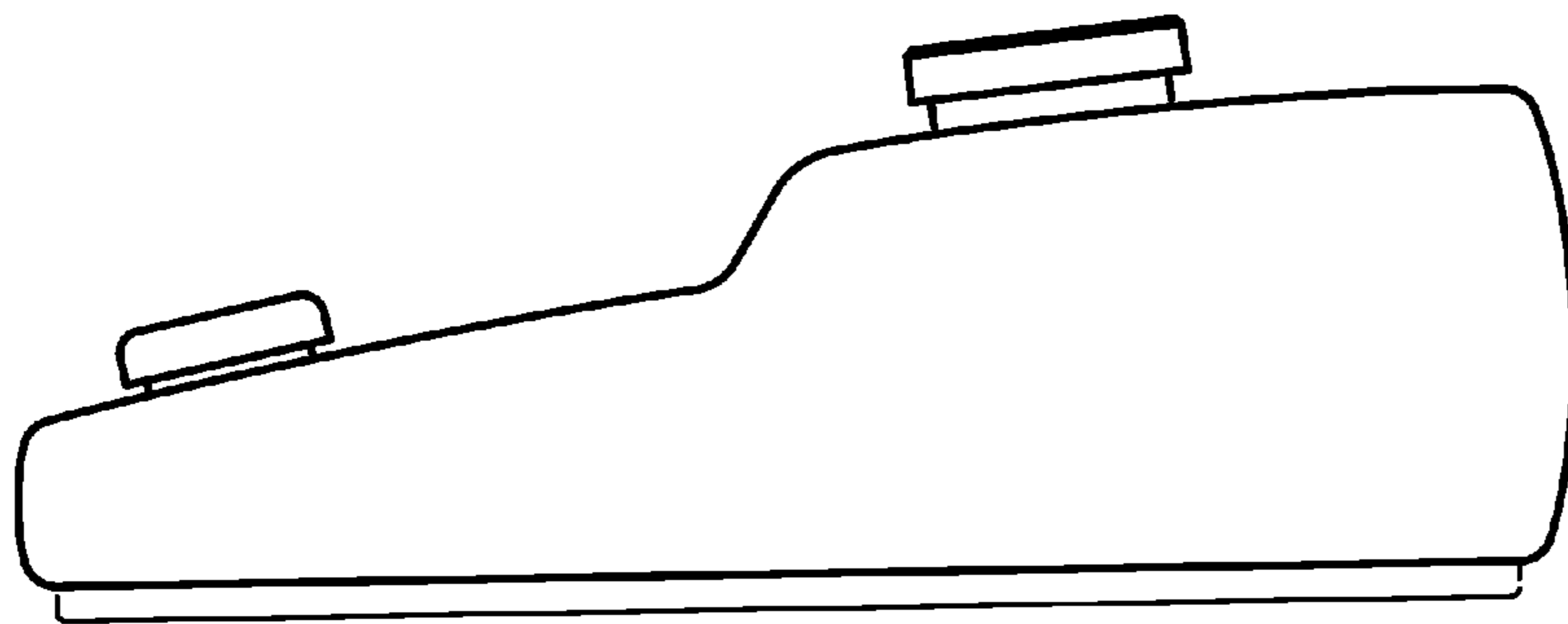


FIG 6.

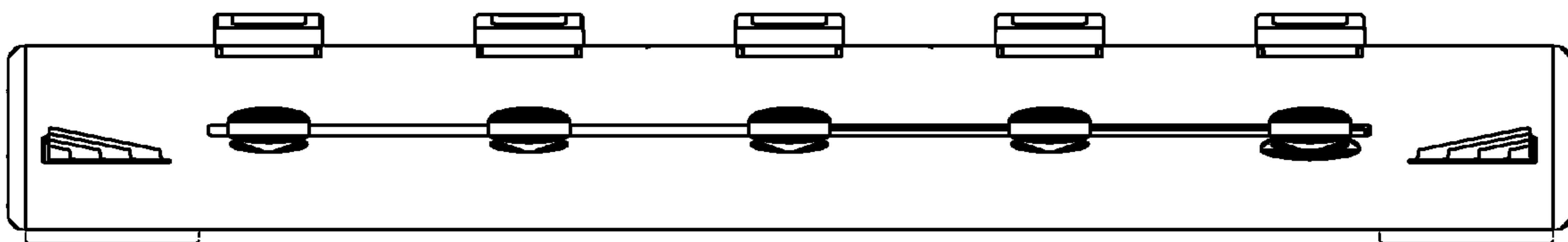


FIG 7.

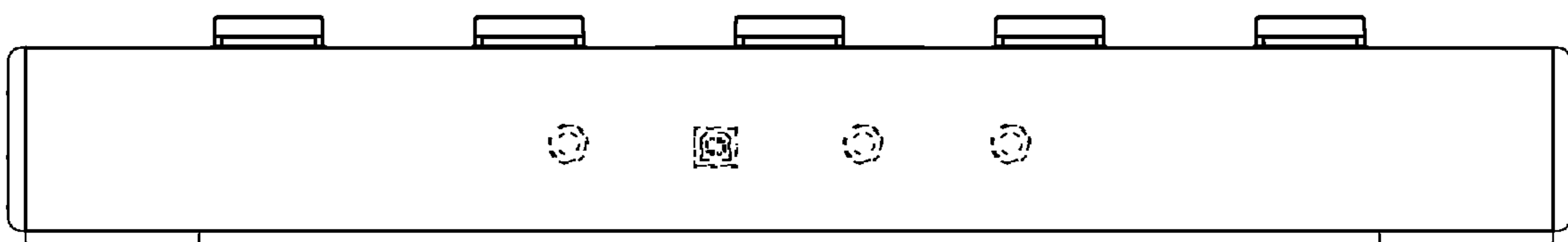


FIG 8.

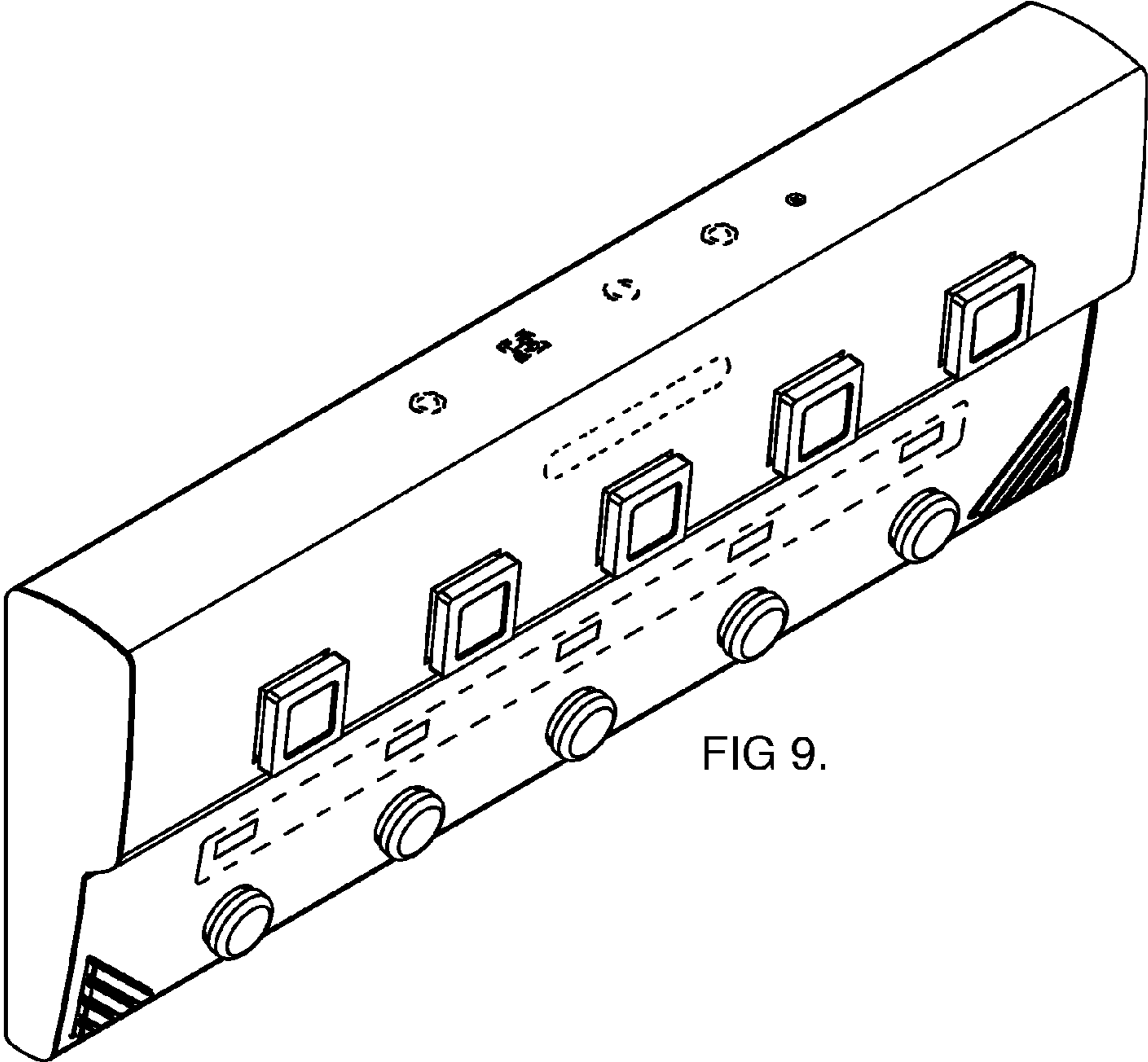


FIG 9.

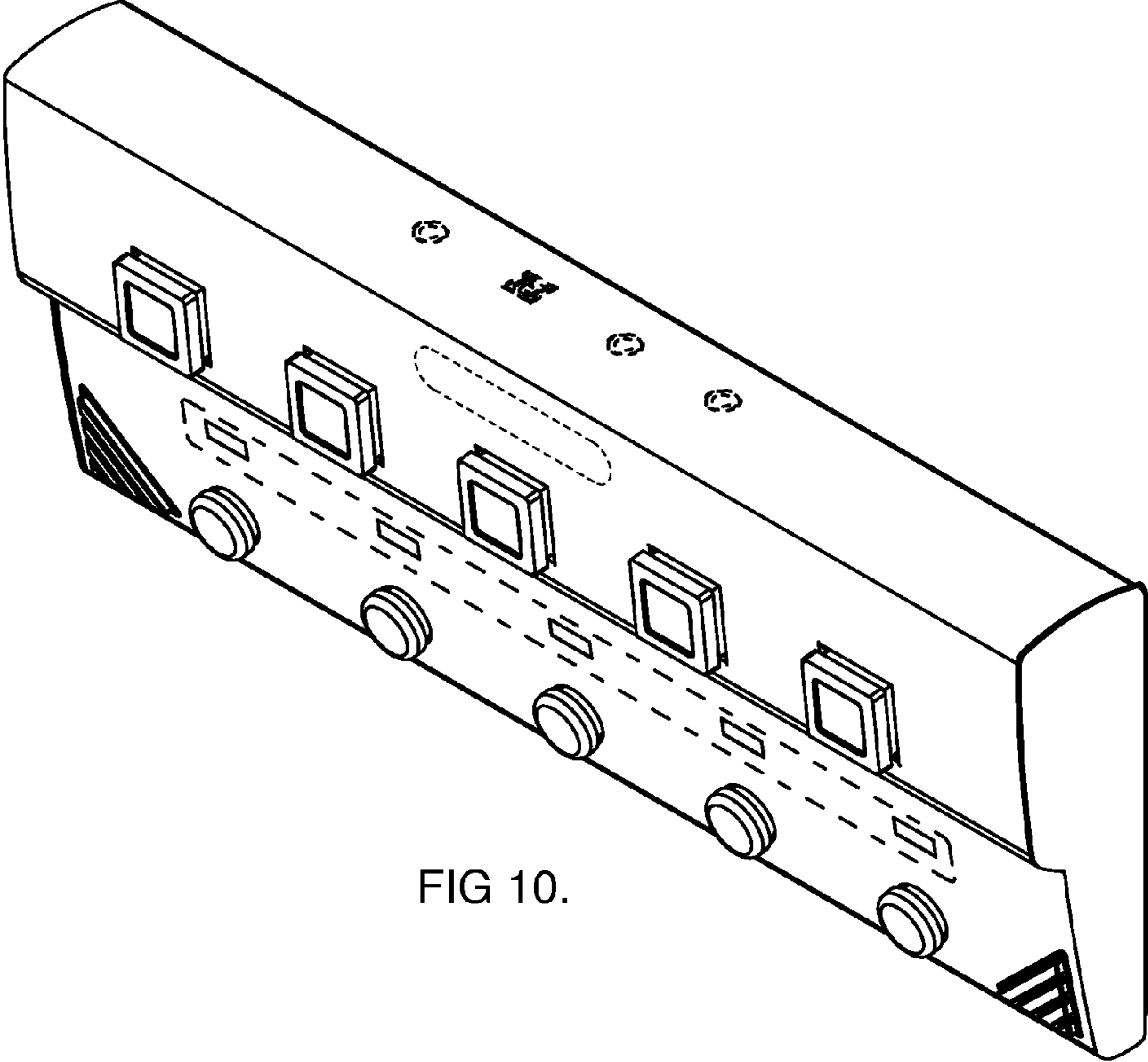


FIG 10.