



US00D631061S

(12) **United States Design Patent**  
**Pardi**

(10) **Patent No.:** **US D631,061 S**  
(45) **Date of Patent:** **\*\* Jan. 18, 2011**

(54) **DIGITAL AUDIO PLAYER**

(75) Inventor: **Jared Pardi**, Cheektowaga, NY (US)

(73) Assignee: **Mattel, Inc.**, El Segundo, CA (US)

(\*\*) Term: **14 Years**

(21) Appl. No.: **29/345,126**

(22) Filed: **Oct. 9, 2009**

(51) **LOC (9) Cl.** ..... **14-03**

(52) **U.S. Cl.** ..... **D14/496; D14/203.1; D14/203.3**

(58) **Field of Classification Search** ..... D14/496,  
D14/401, 435, 474, 483, 217, 137, 138, 160,  
D14/168, 356, 203.1–203.8, 507; 345/156,  
345/169, 173–179, 905; 715/727–729, 864;  
710/1, 5, 8; 713/1, 600; 455/1.1, 1.7, 73,  
455/344–347, 93, 95, 3.01–3.06, 550.1, 573.1;  
370/342–344; 369/1, 2, 6–12; 463/43–47;  
273/148 B

See application file for complete search history.

(56) **References Cited**

**U.S. PATENT DOCUMENTS**

D363,484 S	10/1995	Klitsner et al.	
D366,041 S	1/1996	Tatsumi	
5,563,674 A	10/1996	Von Holtz et al.	
D451,488 S *	12/2001	Foster	D14/203.1
6,642,629 B2 *	11/2003	DeLeeuw	307/10.1
6,719,381 B2	4/2004	Cleereman et al.	
6,825,832 B2 *	11/2004	Chung et al.	345/168
D499,424 S *	12/2004	Bahroocha	D14/203.7
D514,123 S *	1/2006	Naruki et al.	D14/203.3
D518,019 S *	3/2006	Ching	D14/203.3
D542,303 S *	5/2007	Cheng	D14/496
7,283,880 B2	10/2007	Dick	
7,312,785 B2	12/2007	Tsuk et al.	
7,581,186 B2	8/2009	Dowdy et al.	

D620,953 S *	8/2010	Andre et al.	D14/496
2004/0043370 A1	3/2004	Kau	
2005/0149213 A1	7/2005	Guzak et al.	
2006/0146770 A1	7/2006	Geva et al.	
2006/0276920 A1	12/2006	Leung	
2007/0150082 A1	6/2007	Yang et al.	
2007/0185600 A1	8/2007	Yu	

**FOREIGN PATENT DOCUMENTS**

JP	01020592 A	1/1989
JP	2003323187 A	11/2003

\* cited by examiner

*Primary Examiner*—Prabhakar Deshmukh

(74) *Attorney, Agent, or Firm*—Edell, Shapiro & Finnan LLC

(57) **CLAIM**

The ornamental design for a digital audio player, as shown and described.

**DESCRIPTION**

FIG. 1 is a front right perspective view of a digital audio player showing my new design;

FIG. 2 is a left front perspective view thereof;

FIG. 3 is a top perspective view thereof;

FIG. 4 is a left side view thereof;

FIG. 5 is a right side view thereof;

FIG. 6 is a top plan view thereof;

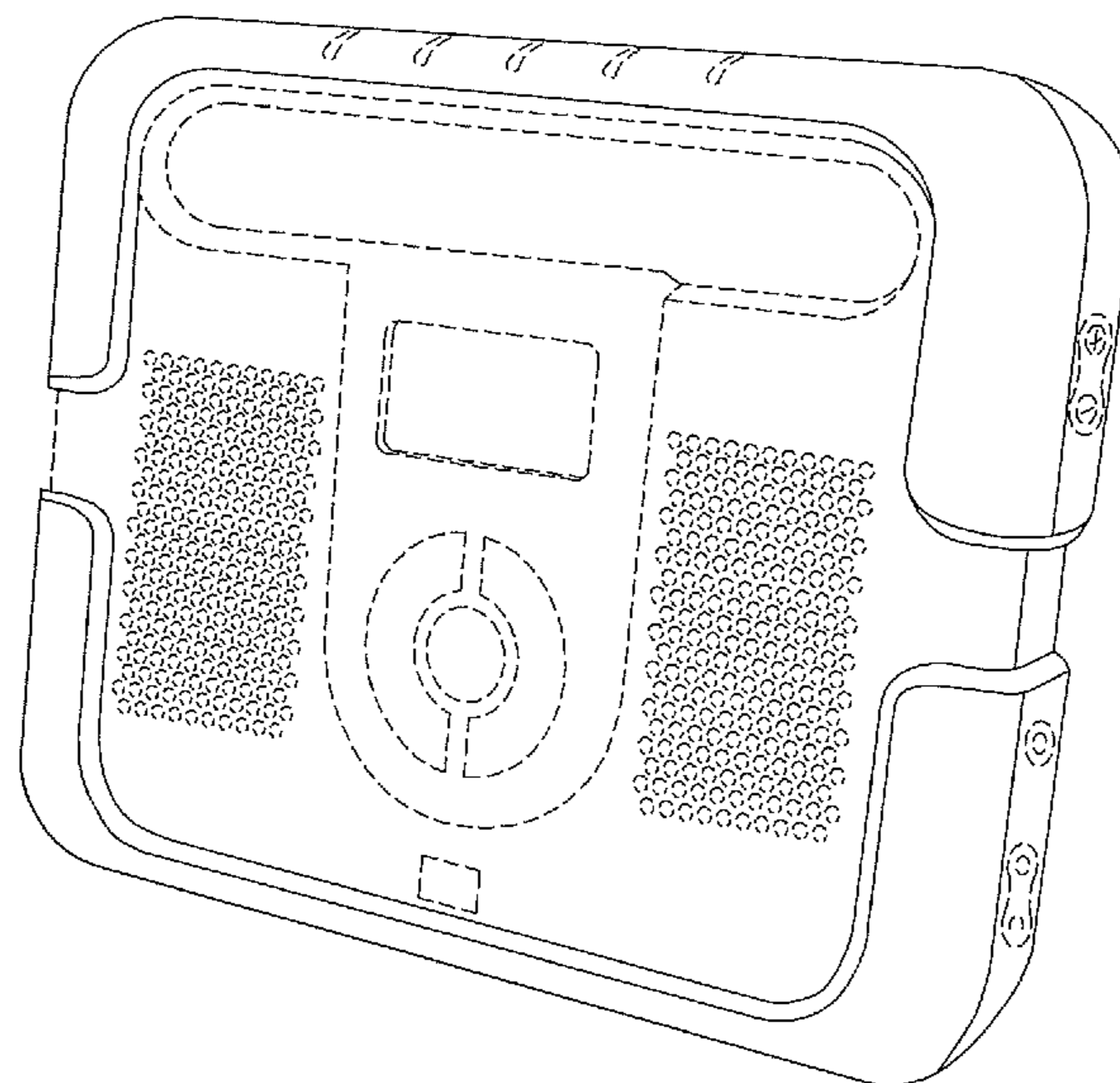
FIG. 7 is a bottom plan view thereof;

FIG. 8 is a front view thereof; and,

FIG. 9 is a rear view thereof.

The portions shown in broken lines are for illustrative purpose only and form no part of the claimed design.

**1 Claim, 9 Drawing Sheets**



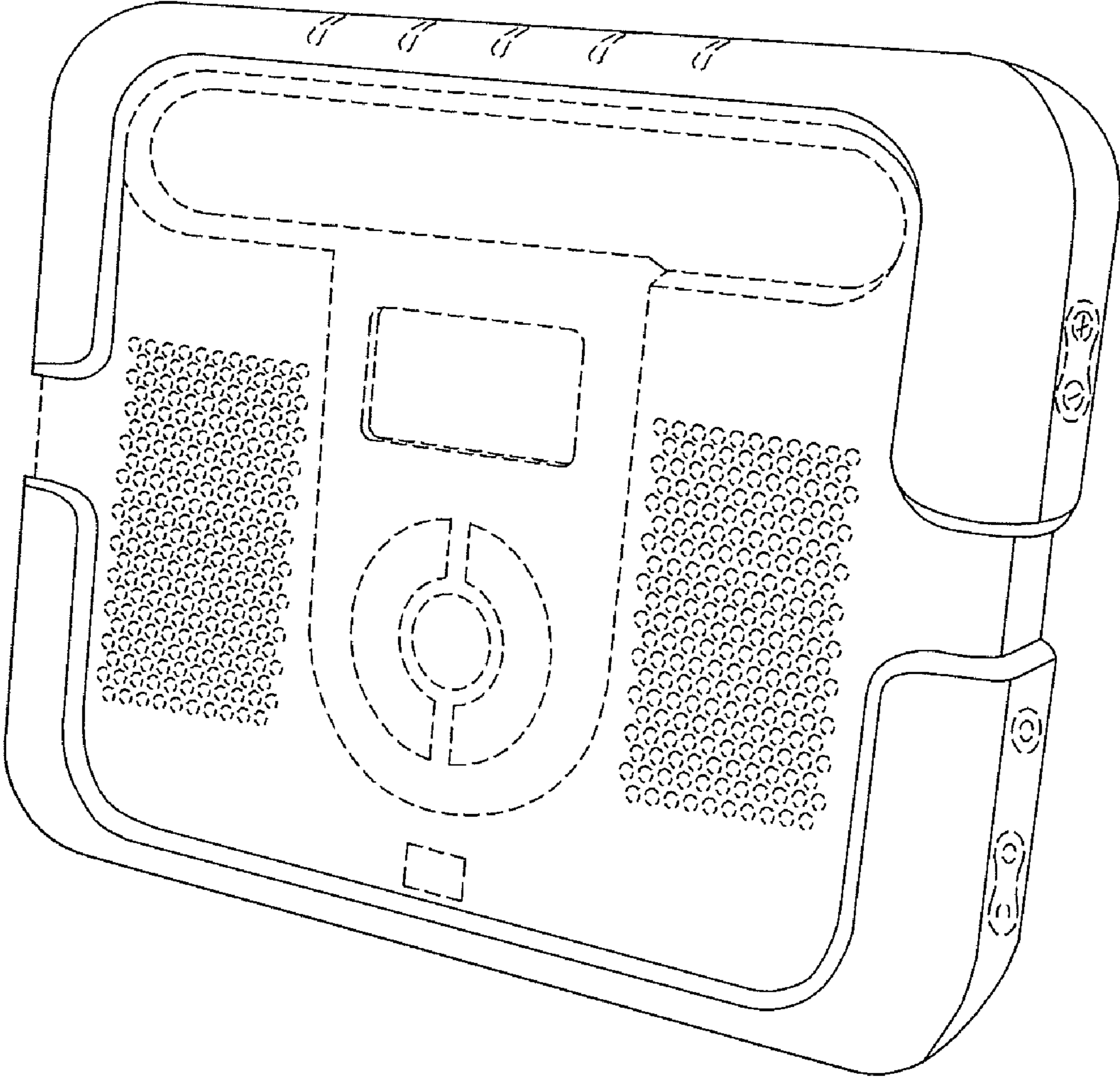


FIG.1

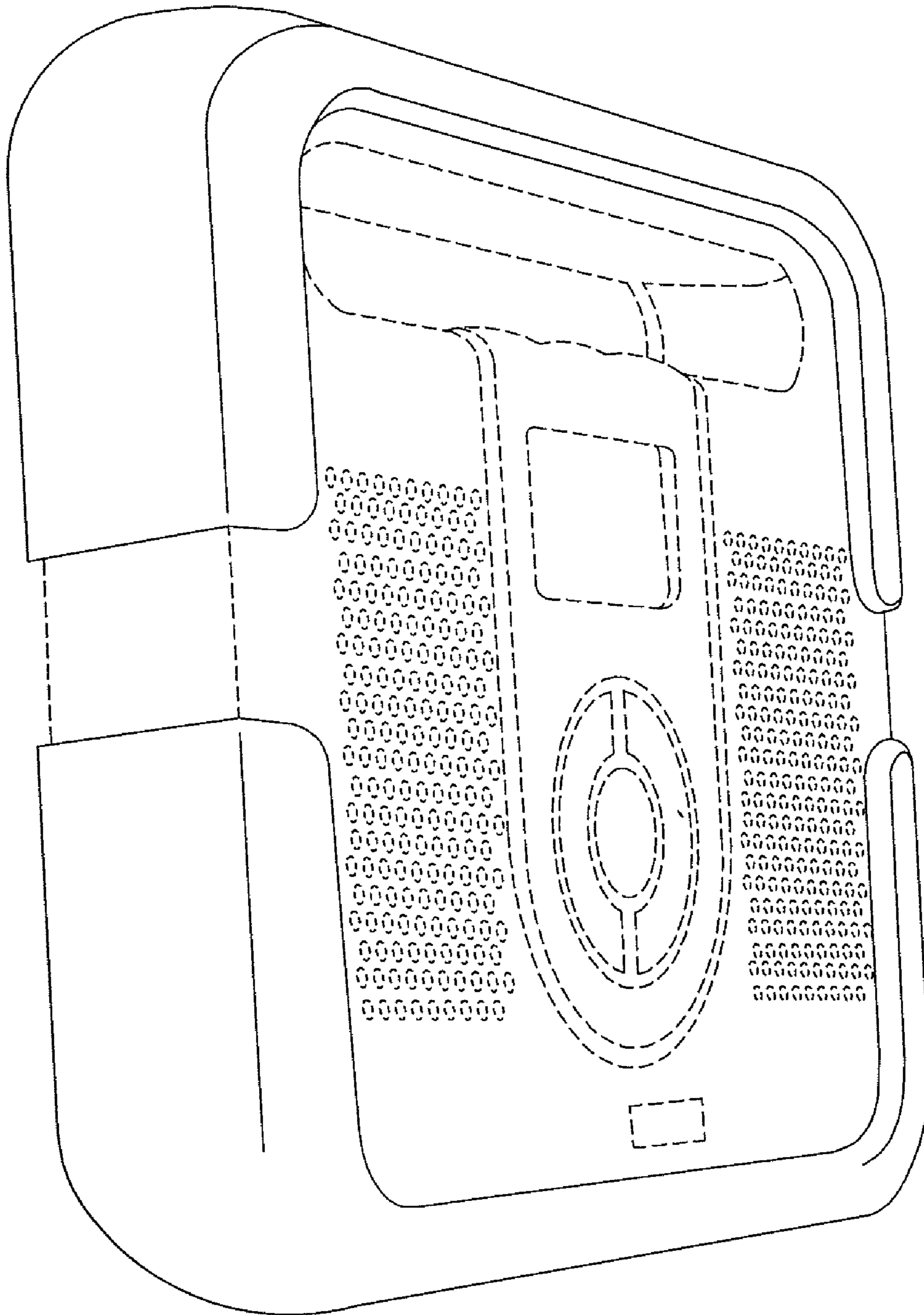


FIG.2

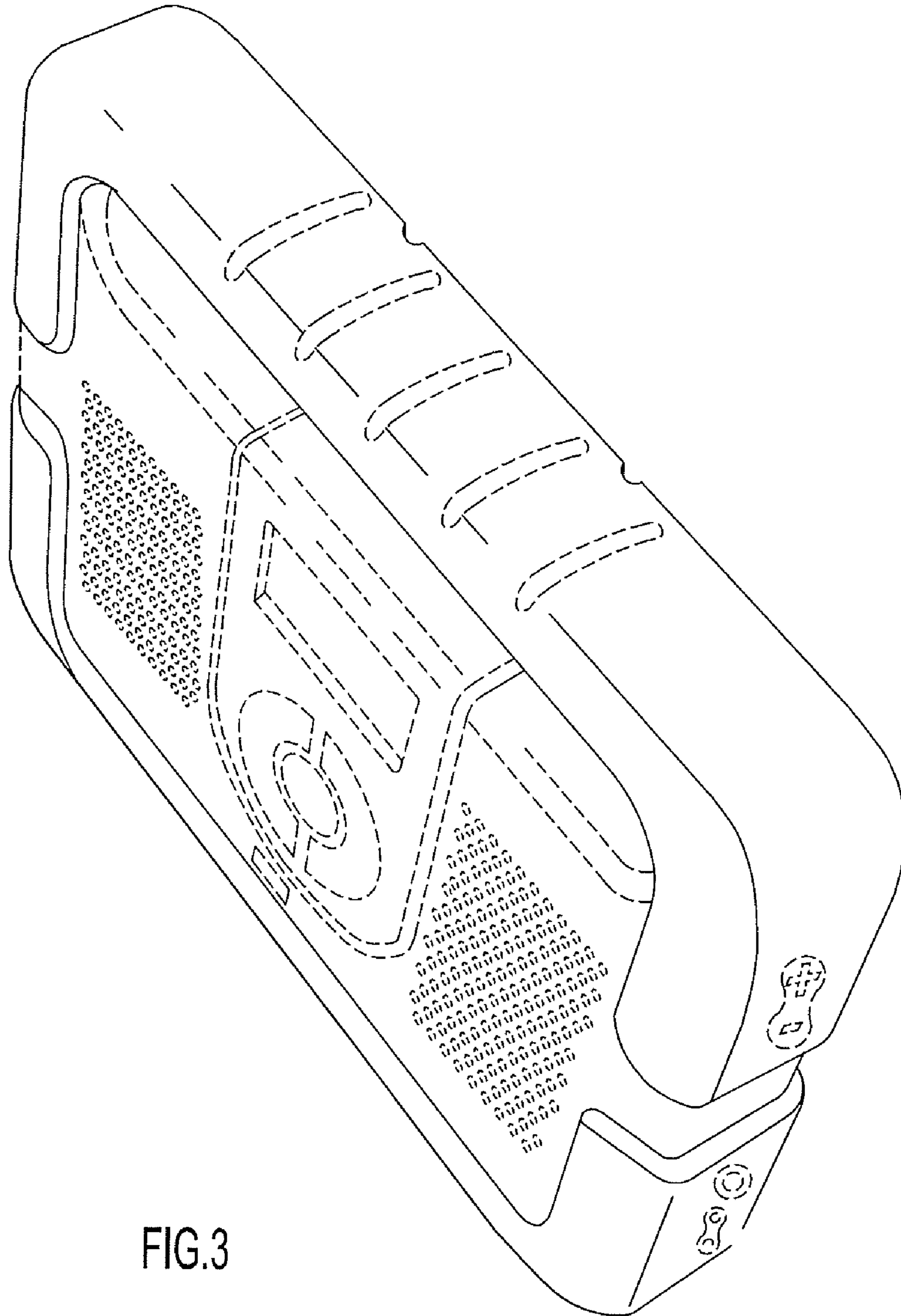


FIG. 3

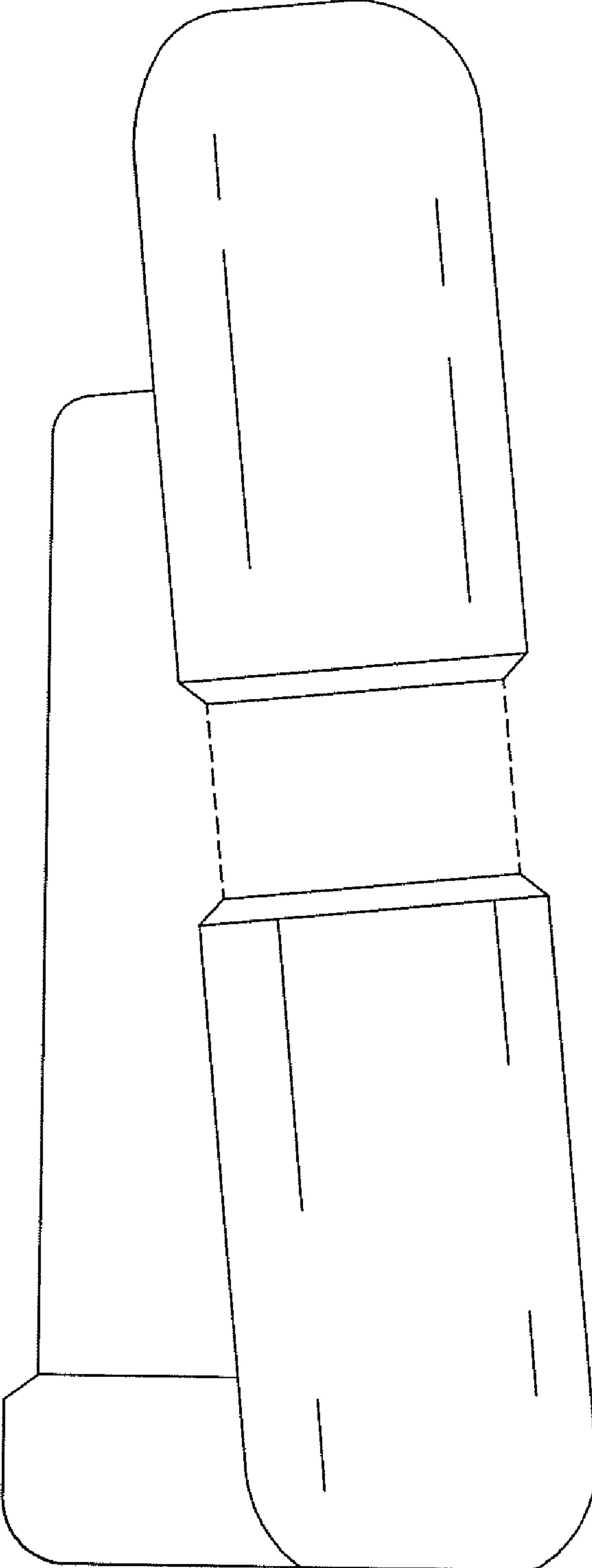


FIG. 4

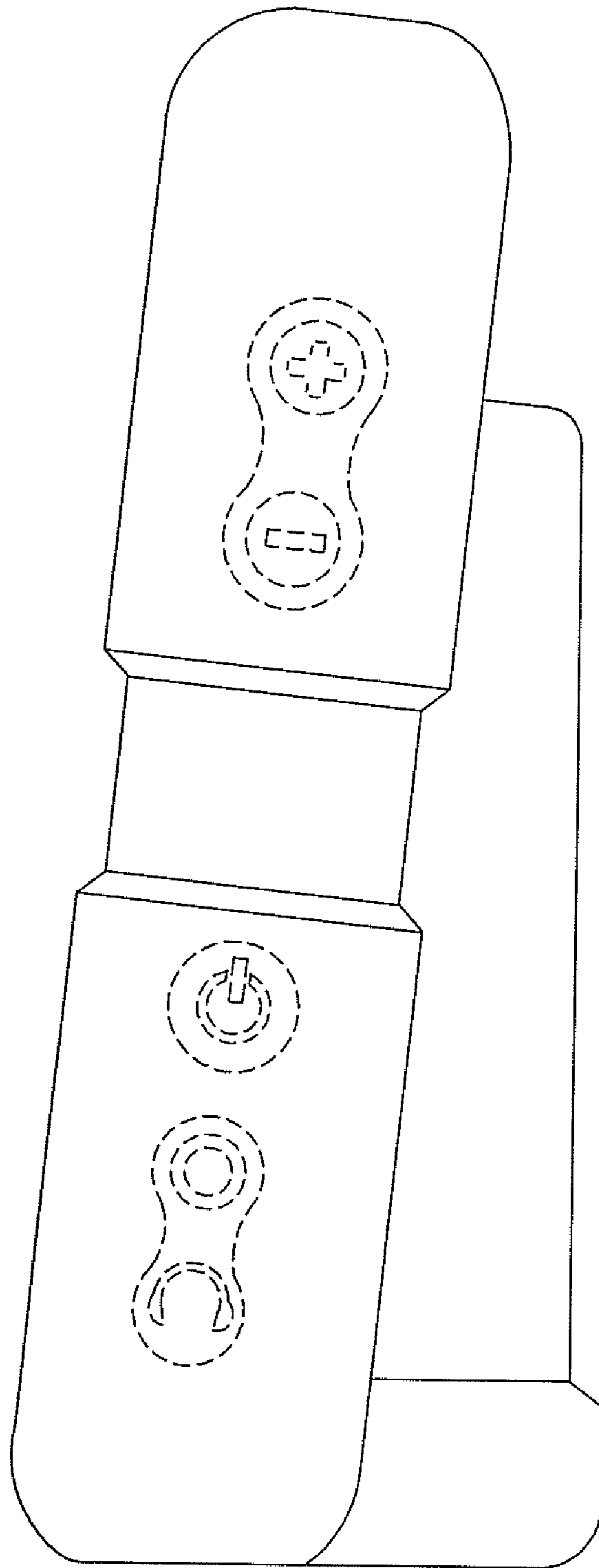


FIG.5

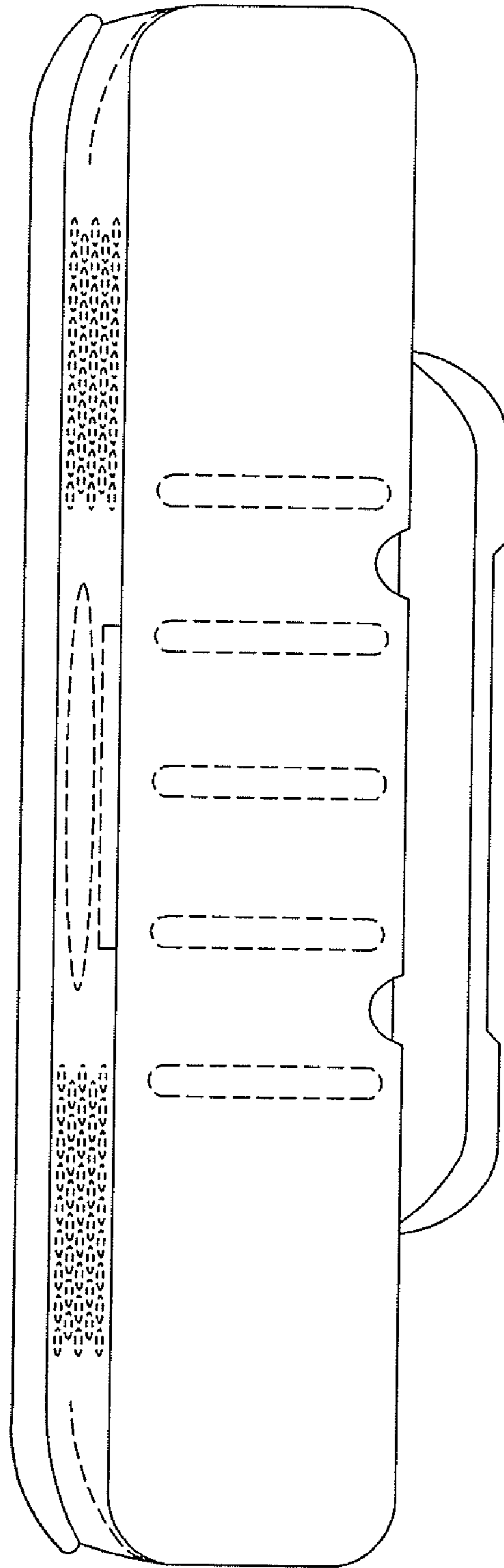


FIG.6

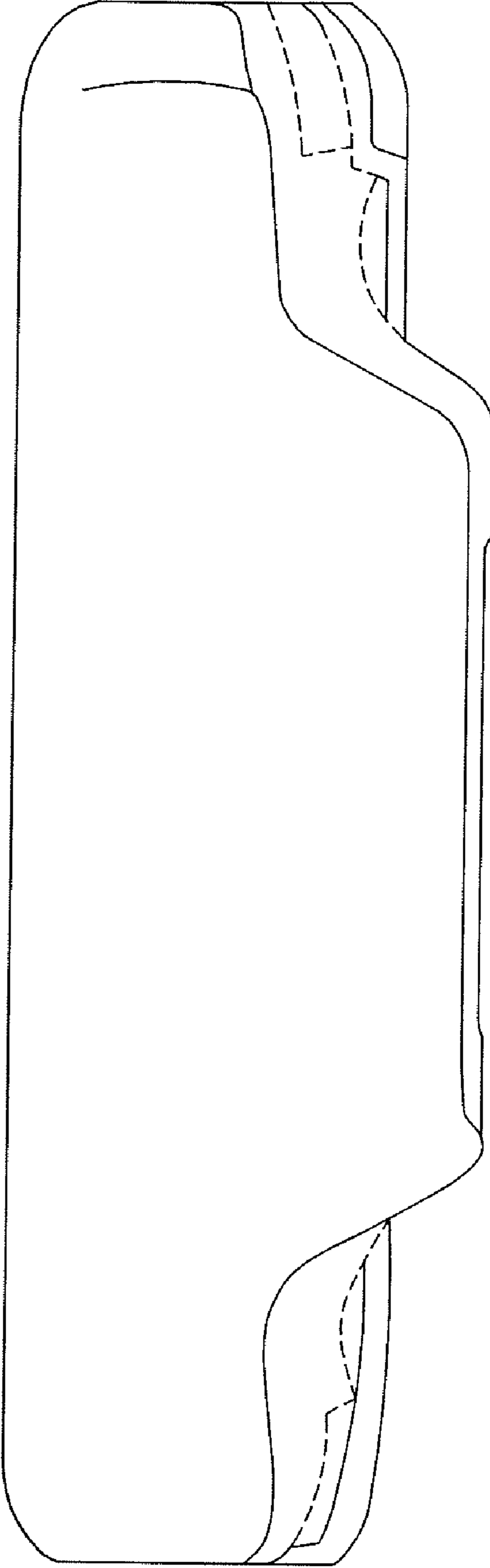


FIG.7



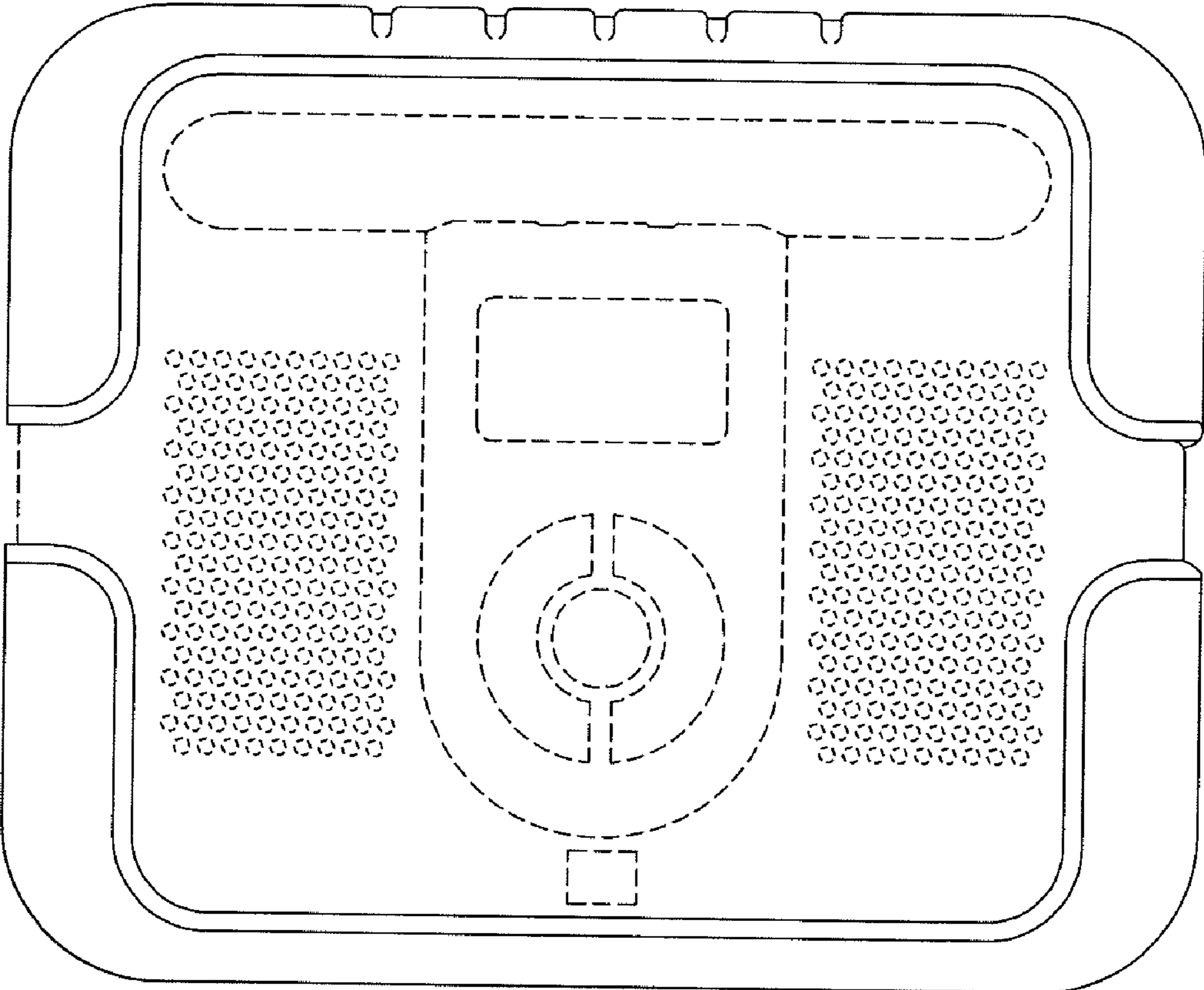


FIG.8

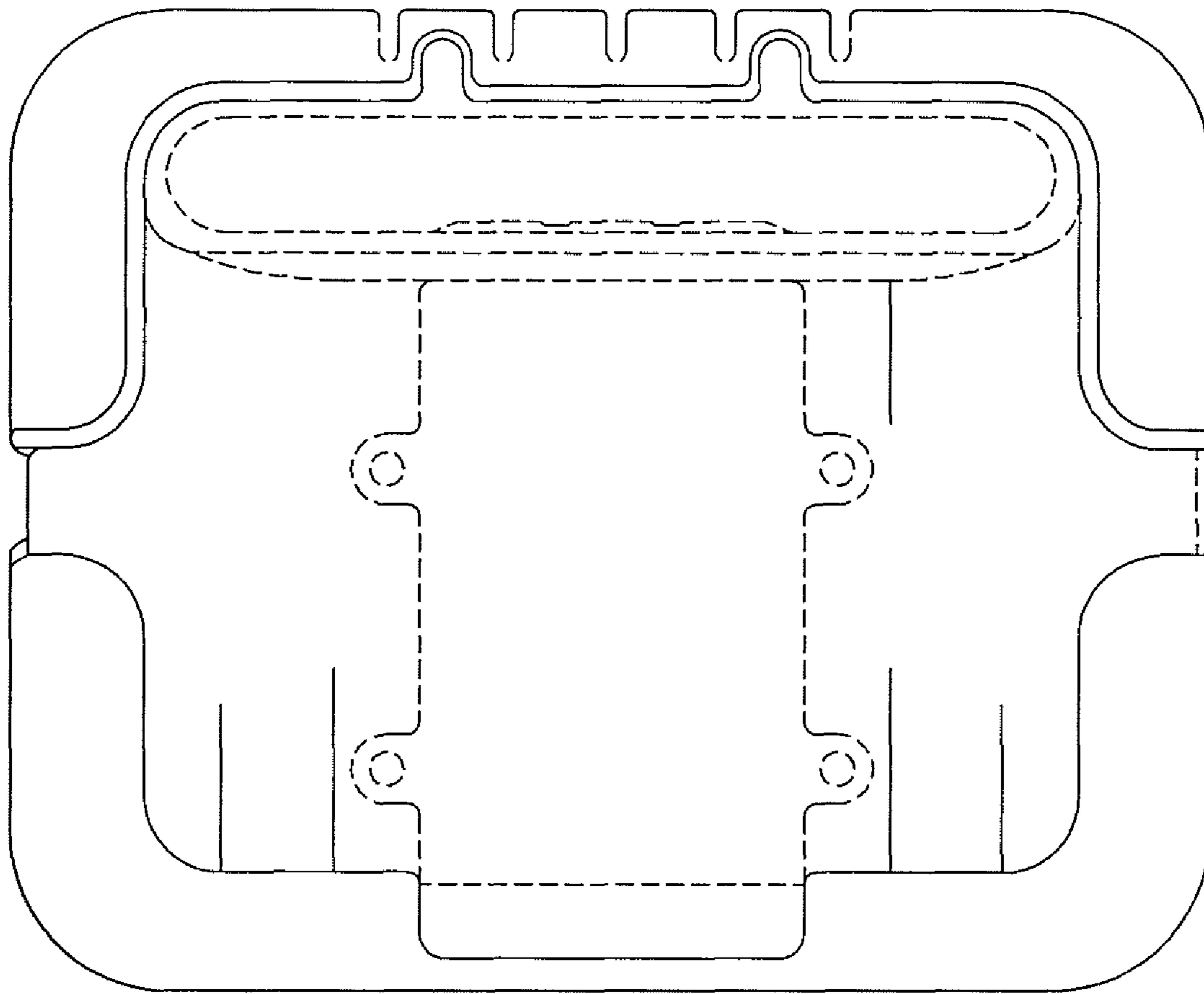


FIG.9