



US00D631057S

(12) **United States Design Patent**
Kuo

(10) **Patent No.:** **US D631,057 S**
(45) **Date of Patent:** **** Jan. 18, 2011**

(54) **DATA CARD**

(75) Inventor: **Ling-Mei Kuo**, Tu-Cheng (TW)

(73) Assignee: **Chi Mei Communication Systems, Inc.**, Tu-Cheng, Taipei County (TW)

(**) Term: **14 Years**

(21) Appl. No.: **29/358,028**

(22) Filed: **Mar. 22, 2010**

(30) **Foreign Application Priority Data**

Dec. 17, 2009 (CN) 2009 3 0329546

(51) **LOC (9) Cl.** **14-02**

(52) **U.S. Cl.** **D14/480.7**

(58) **Field of Classification Search** D14/411,
D14/433, 435.1, 436, 480.1–480.7, 484.1,
D14/137, 155, 167, 168, 203.1–203.8, 240,
D14/242, 299; D3/201, 273; D13/107, 108,
D13/149, 184; 710/300, 301; 439/131, 135–147
See application file for complete search history.

(56) **References Cited**

U.S. PATENT DOCUMENTS

6,456,500	B1 *	9/2002	Chen	361/752
6,743,030	B2 *	6/2004	Lin et al.	439/131
D553,618	S *	10/2007	Cheng	D14/356
D579,933	S *	11/2008	Deguchi	D14/356
D581,413	S *	11/2008	Kim	D14/356
D587,266	S *	2/2009	Deguchi	D14/356
D602,026	S *	10/2009	Lo	D14/480.7
7,628,622	B2 *	12/2009	Yu et al.	439/131
7,686,629	B1 *	3/2010	Yu et al.	439/136
D617,331	S *	6/2010	Lo	D14/480.7
D620,017	S *	7/2010	Lo	D14/480.7
2006/0073717	A1 *	4/2006	Ng et al.	439/131

2006/0258196 A1* 11/2006 Chen et al. 439/141

OTHER PUBLICATIONS

Techtree.com India > Reviews > Mobile Computing > Portable Storage > Kingston DataTraveler 200 64GB: USB Flash Drive, [online] posted on Sep. 25, 2009 [retrieved on May 17, 2010]. Retrieved from the Internet <URL: http://www.techtree.com/techtree/jsp/article.jsp?print=1&article_id=106549&cat_id=611>.*
Better Living Through Design, [online] posted on Apr. 26, 2006 [retrieved on Dec. 12, 2006]. Retrieved from the Internet <URL: <http://www.betterlivingthroughdesign.com/personal/>>.*

* cited by examiner

Primary Examiner—Cathron C Brooks

Assistant Examiner—Karen E Kearney

(74) *Attorney, Agent, or Firm*—Steven M. Reiss

(57) **CLAIM**

The ornamental design for a data card, as shown and described.

DESCRIPTION

FIG. 1 is a perspective view of a data card showing my new design;

FIG. 2 is a front elevational view thereof;

FIG. 3 is a rear elevational view thereof;

FIG. 4 is a left side elevational view thereof;

FIG. 5 is a right side elevational view thereof;

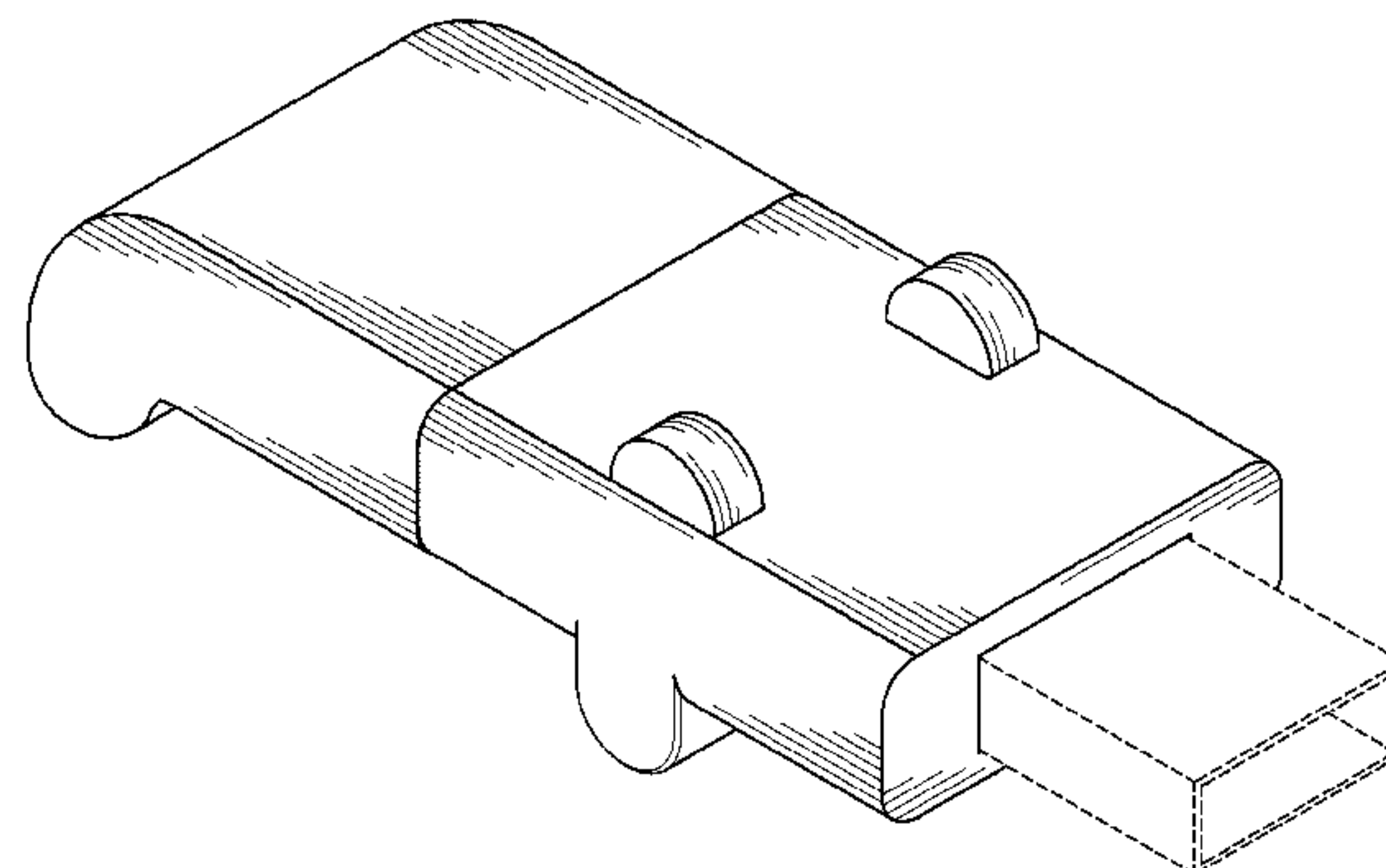
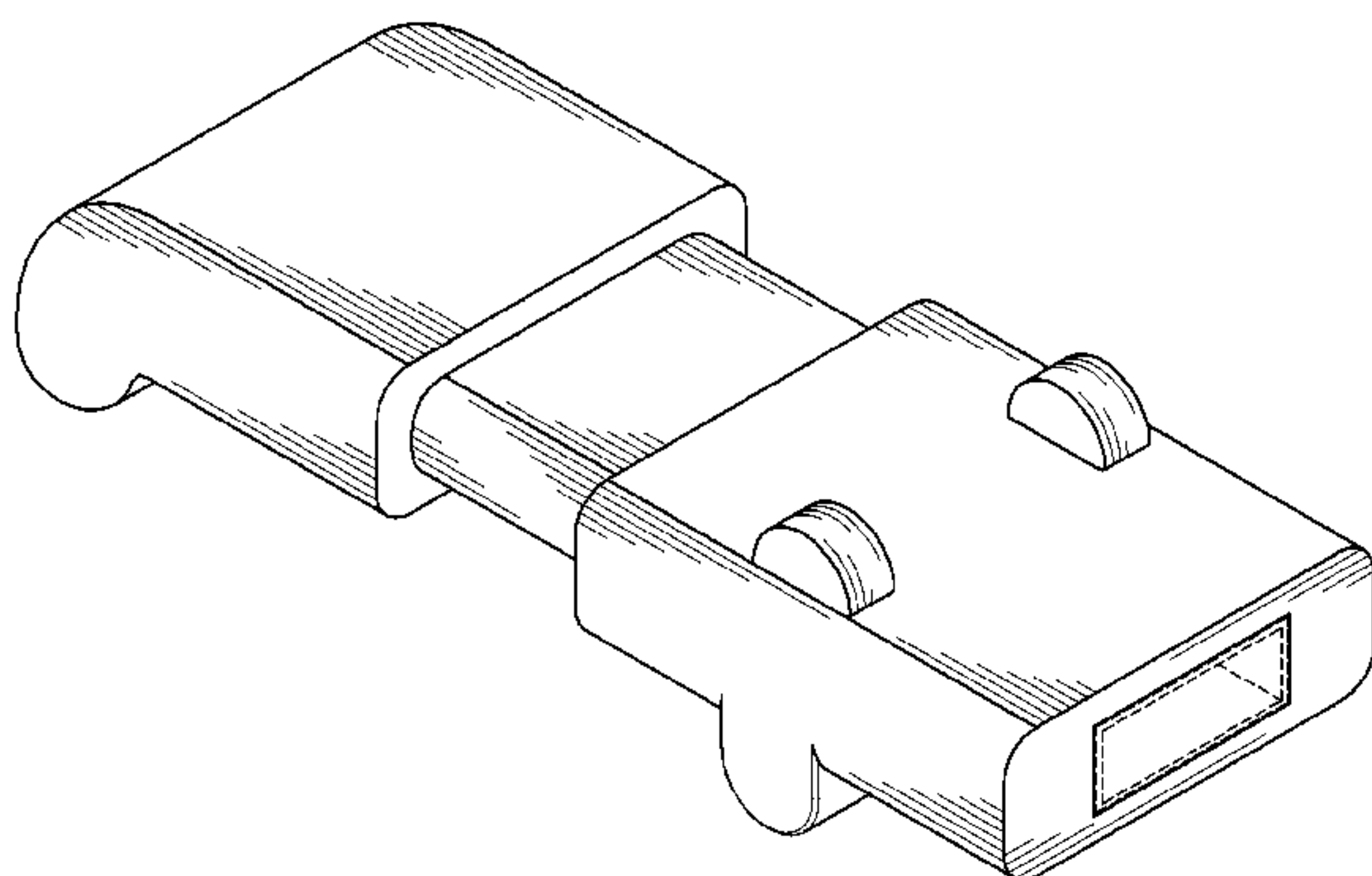
FIG. 6 is a top plan view thereof; and

FIG. 7 is a bottom plan view thereof; and,

FIG. 8 is a perspective view thereof, wherein the data card is shown in an extended configuration.

The broken line showing of the USB connector in FIGS. 1, 5, and 8 are for the purpose of illustrating unclaimed portions of the data card and form no part of the claimed design.

1 Claim, 8 Drawing Sheets



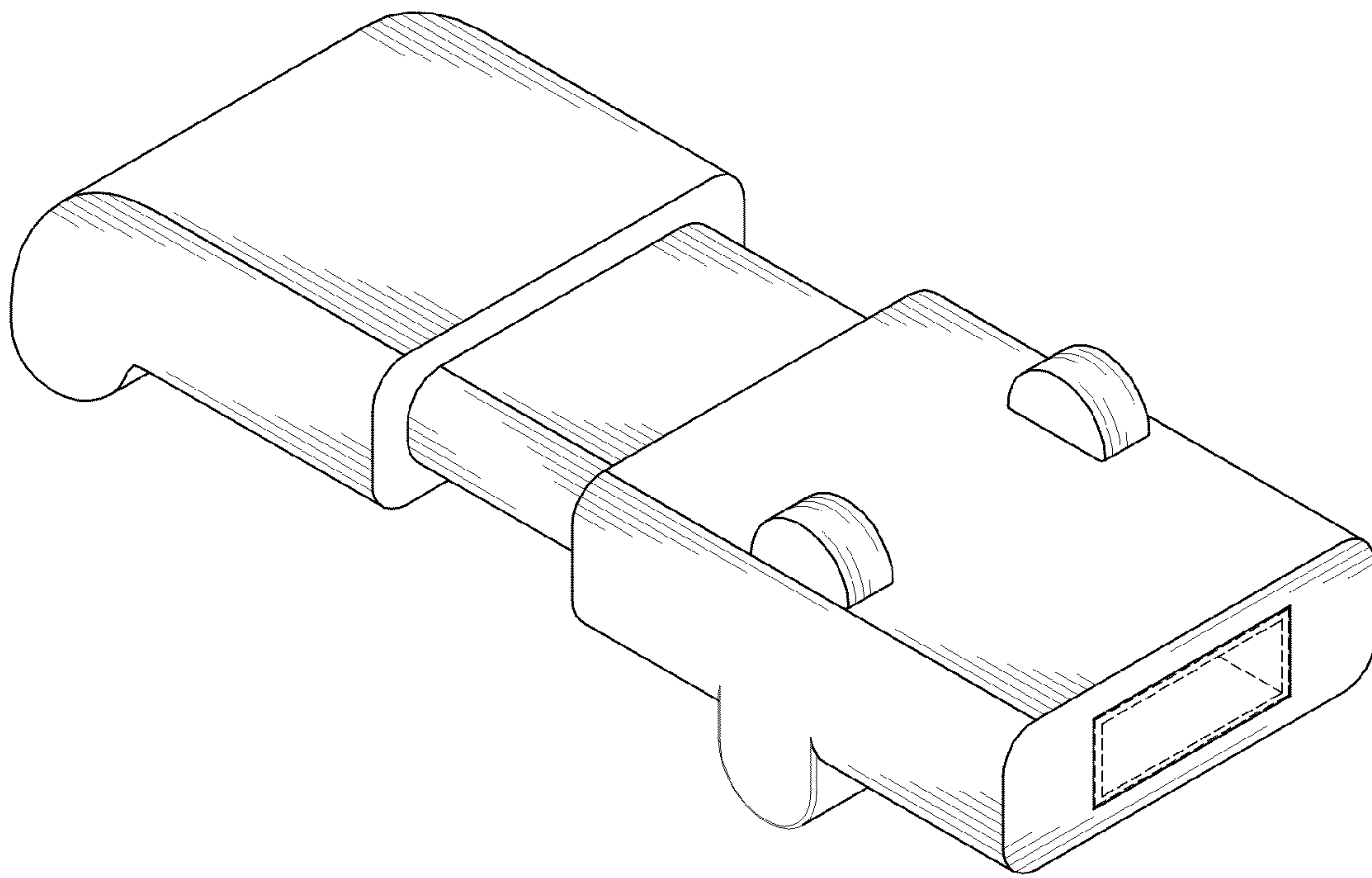


FIG. 1

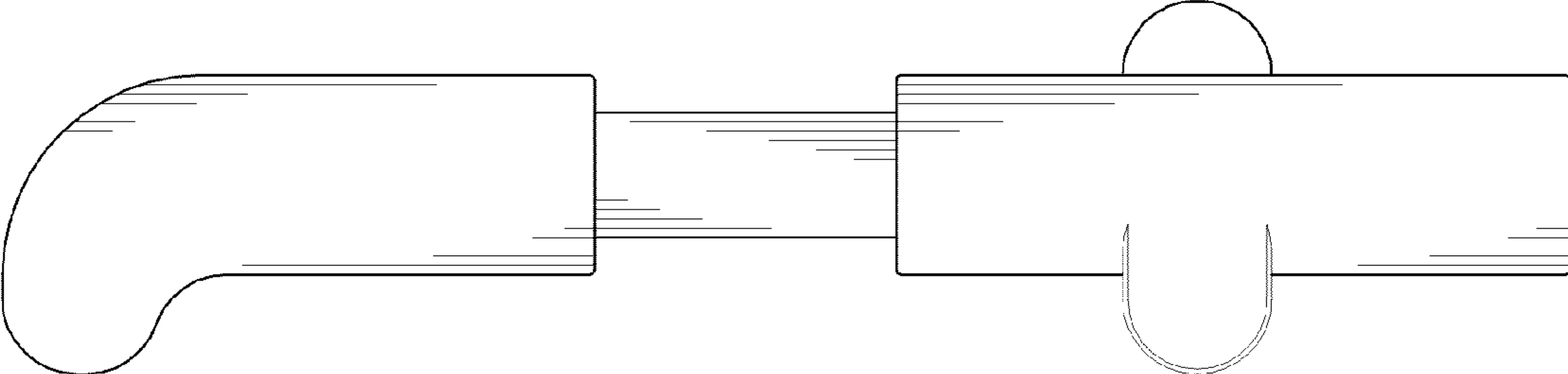


FIG. 2

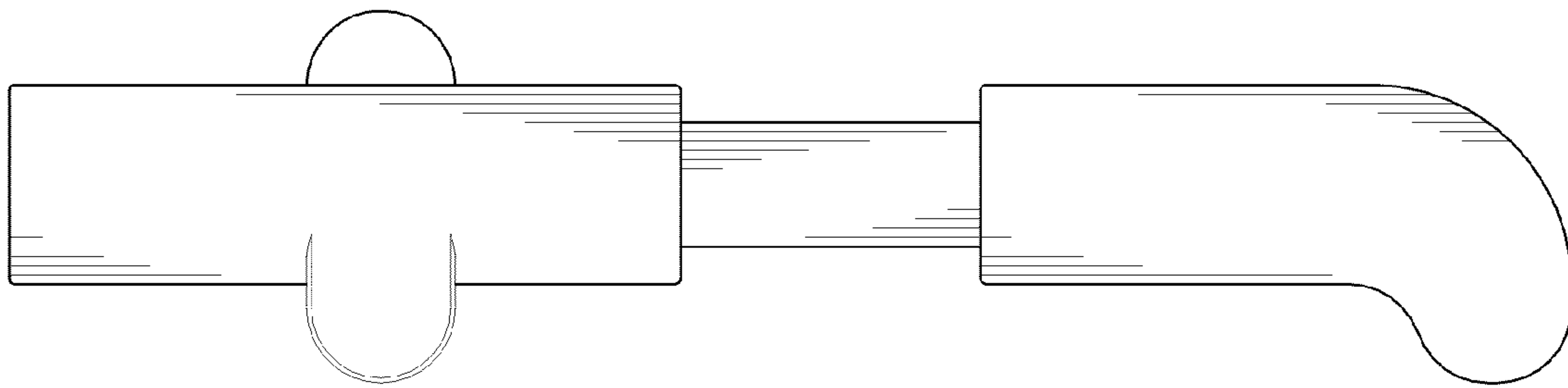


FIG. 3

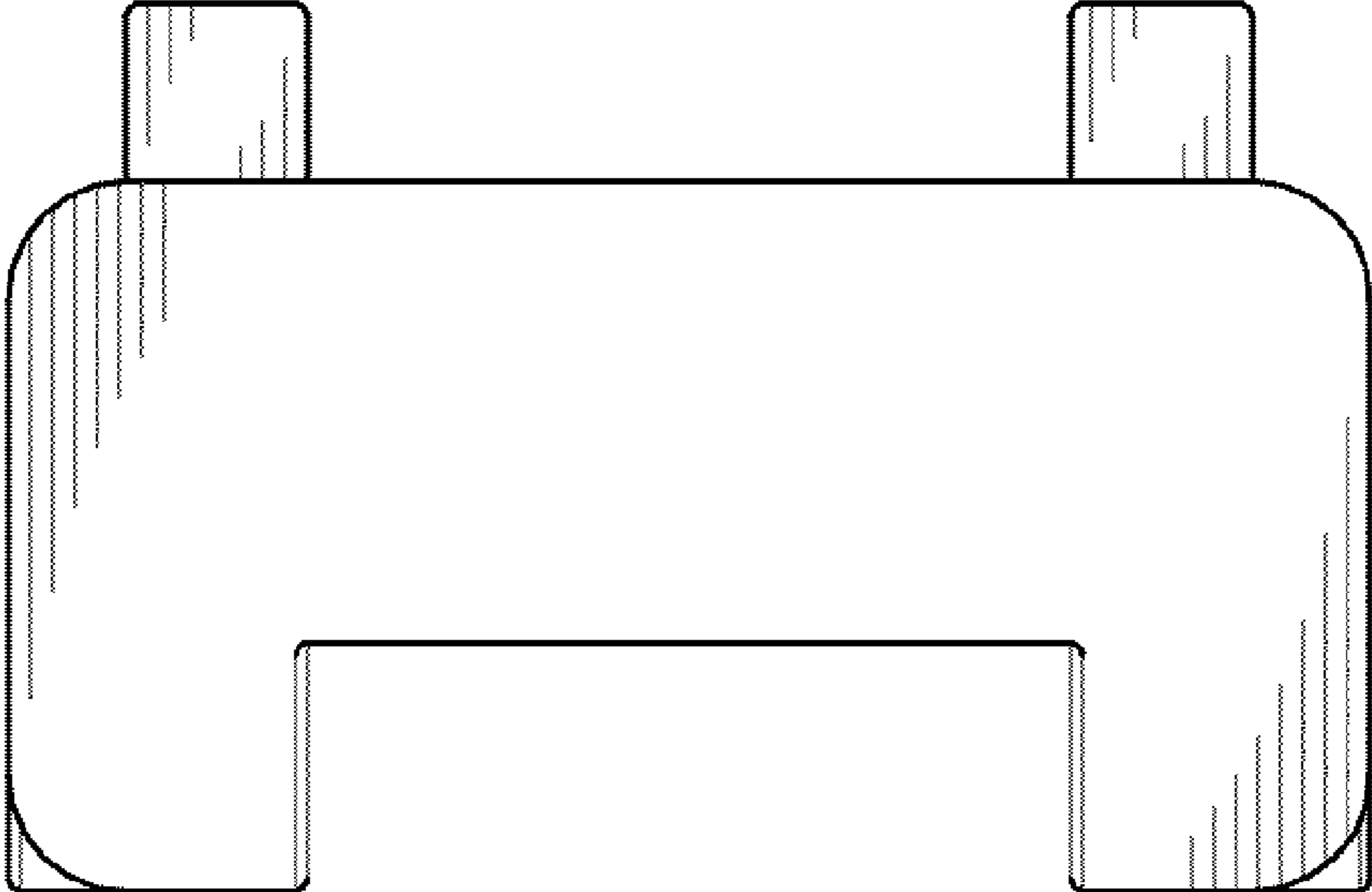


FIG. 4

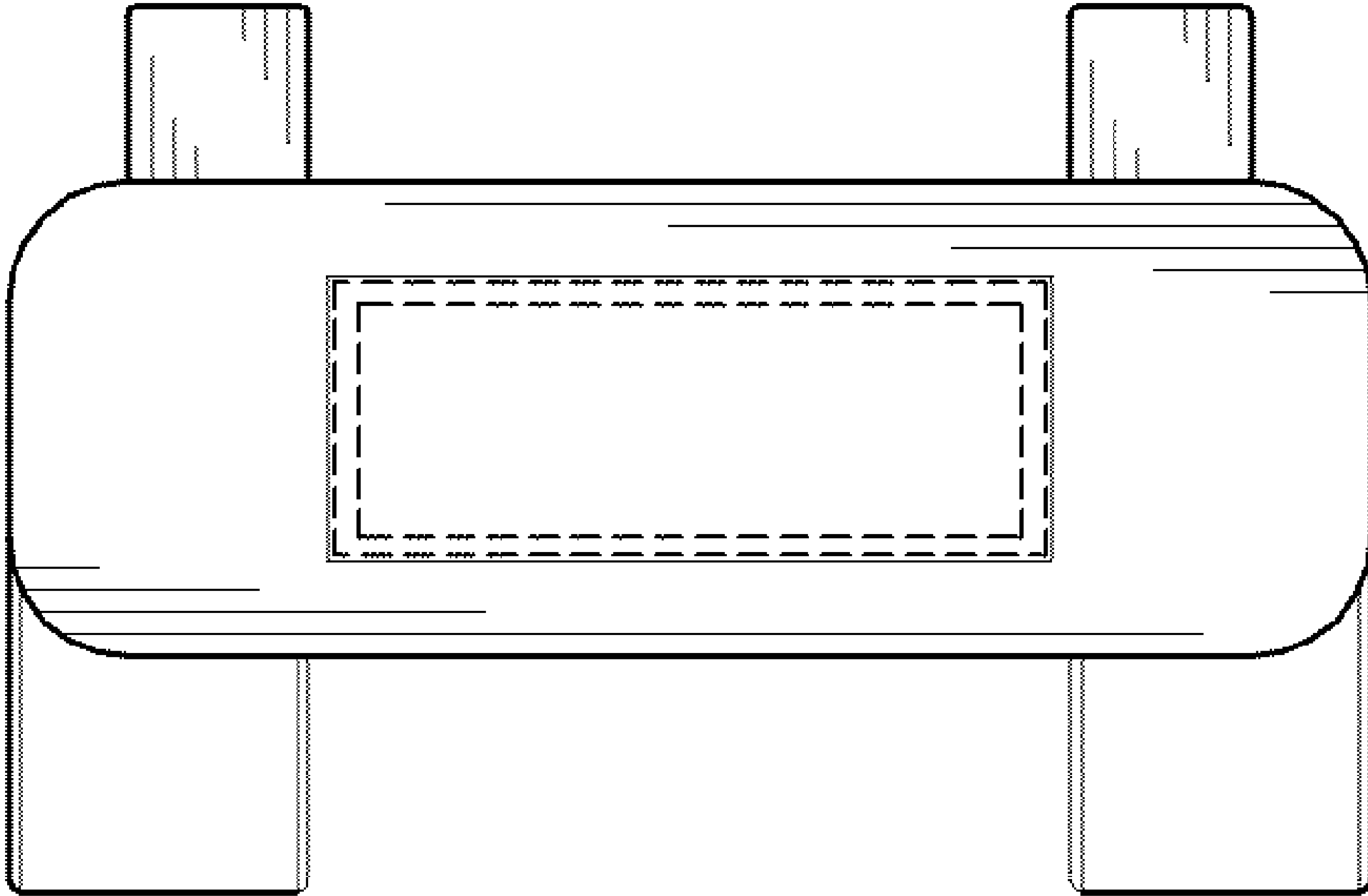


FIG. 5

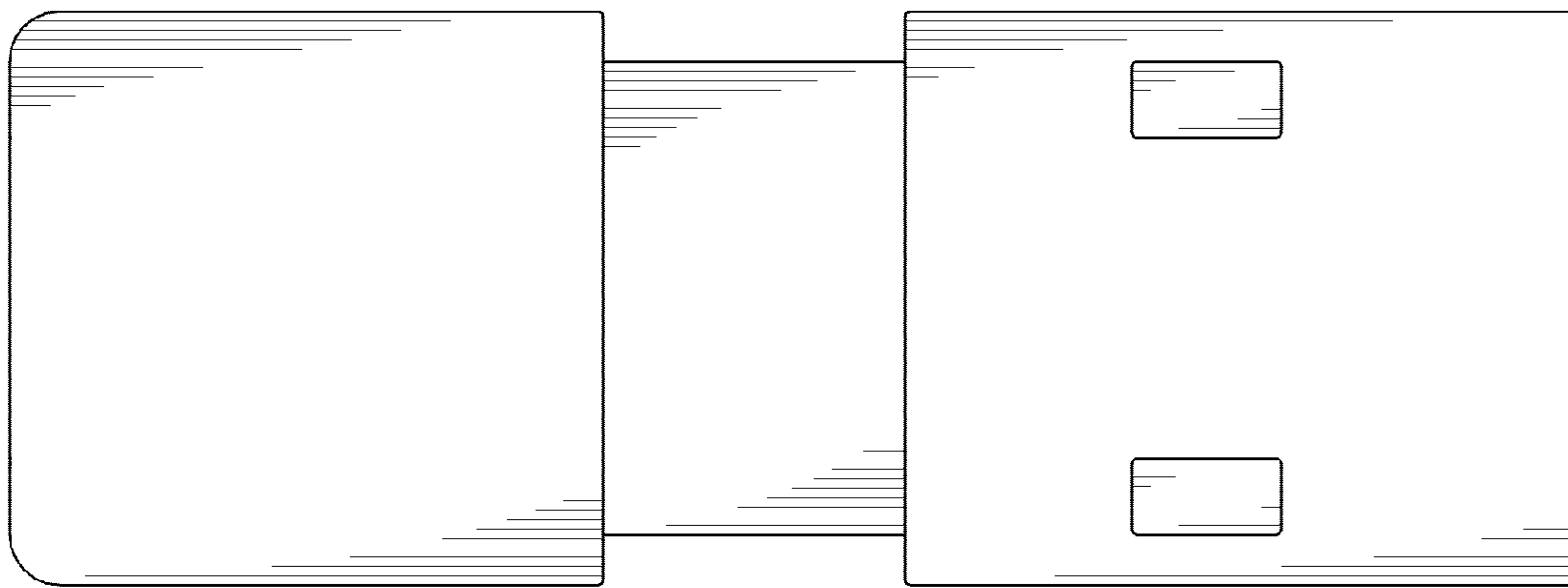


FIG. 6

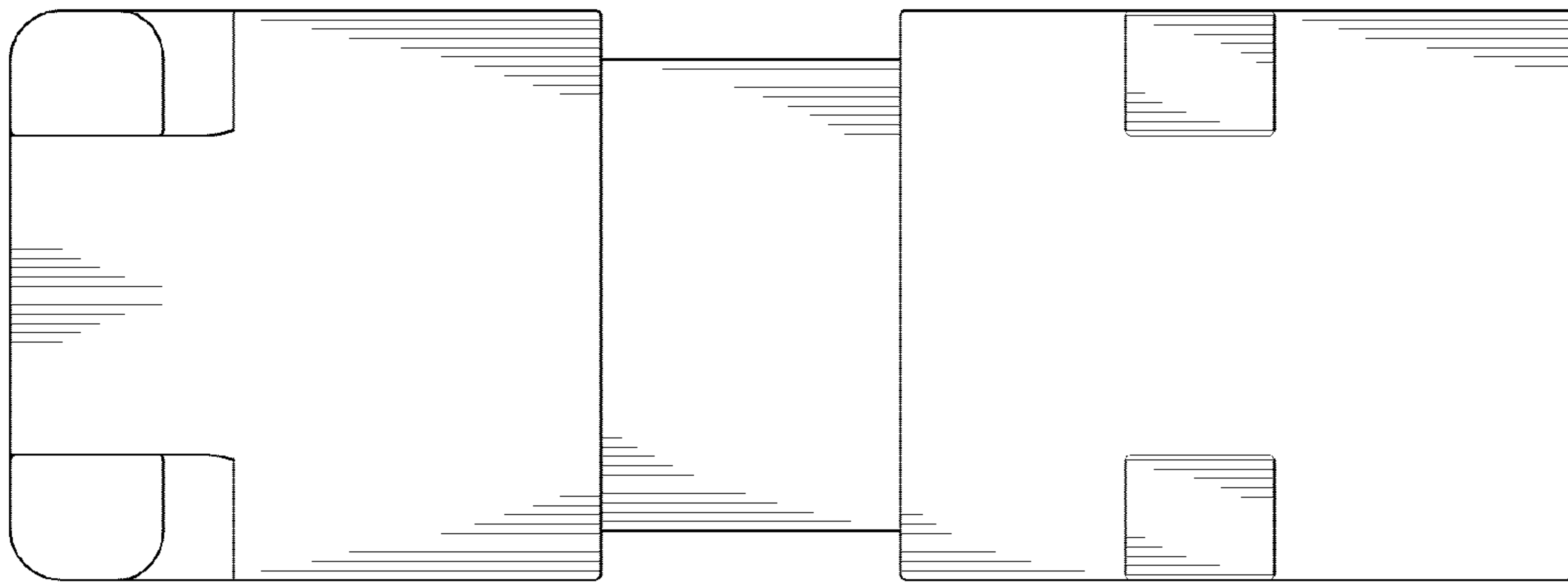


FIG. 7

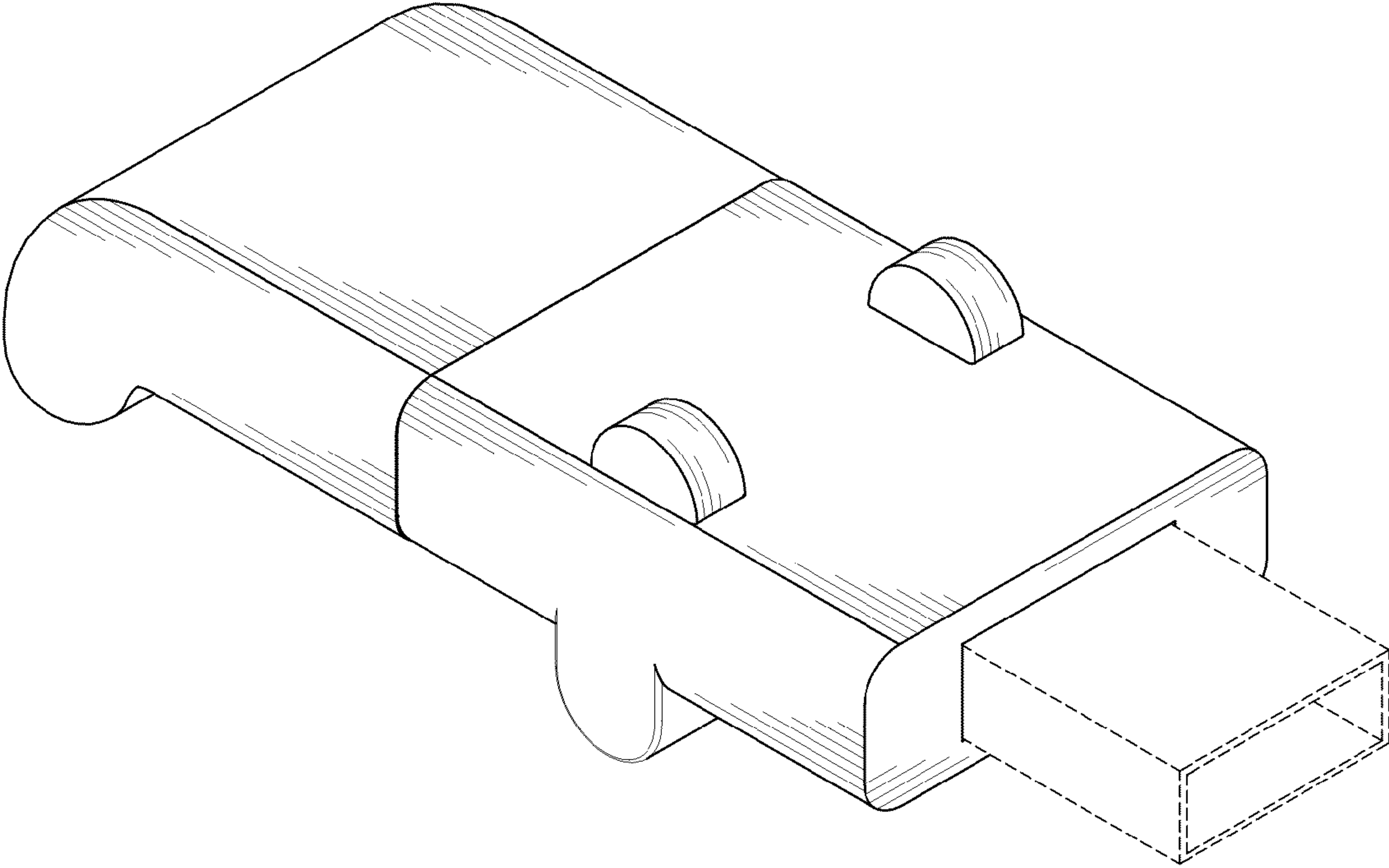


FIG. 8