



US00D631055S

(12) **United States Design Patent**  
**Gilbert et al.**

(10) **Patent No.:** **US D631,055 S**  
(45) **Date of Patent:** **\*\* \*Jan. 18, 2011**

(54) **WIRELESS DEVICE**

(75) Inventors: **William A. Gilbert**, Carlsbad, CA (US);  
**Pedro A. Gutierrez**, San Diego, CA (US)

(73) Assignee: **Sierra Wireless, Inc.**, British Columbia (CA)

(\*) Notice: This patent is subject to a terminal disclaimer.

(\*\*) Term: **14 Years**

(21) Appl. No.: **29/331,885**

(22) Filed: **Feb. 4, 2009**

(30) **Foreign Application Priority Data**

Sep. 2, 2008 (CA) ..... 128052

(51) **LOC (9) Cl.** ..... **14-02**

(52) **U.S. Cl.** ..... **D14/480.5; D14/242**

(58) **Field of Classification Search** ..... D14/356,  
D14/411, 433, 435.1, 436, 137, 155, 167,  
D14/168, 203.1–203.8, 240, 242, 299, 480.1–480.7,  
D14/484.1, 140, 218, 358, 217, 238.1; D3/201,  
D3/273; D13/107, 108, 149, 184, 168; 710/300,  
710/301; 439/131, 135–147; 361/679.31,  
361/679.33, 679.4, 752; 711/100, 115; 360/69;  
379/220.01, 221.01–221.02, 25, 93.09, 93.15,  
379/93.14, 156, 900; 455/550.1, 557  
See application file for complete search history.

(56) **References Cited**

**U.S. PATENT DOCUMENTS**

D351,803 S \* 10/1994 Foley ..... D10/81

(Continued)

**OTHER PUBLICATIONS**

Design Registration No. 094368-001/002 [France], registered on Sep. 15, 2009.\*

Design Registration Application No. 001568536-0001 [Europe], registered on Jul. 2, 2009.\*

Design Registration No. 135302-0002 [Switzerland], filed on Jul. 9, 2008, registered on Aug. 25, 2008.\*

Sierra Wireless AirCard USB 598, [online], [retrieved on May 3, 2010]. Retrieved from the Internet <URL: [http://www.sierrawireless.com/en/productsandservices/AirCard/USBModems/aircard\\_usb598.aspx](http://www.sierrawireless.com/en/productsandservices/AirCard/USBModems/aircard_usb598.aspx)>.\*

(Continued)

*Primary Examiner*—Cathron C Brooks

*Assistant Examiner*—Karen E Kearney

(74) *Attorney, Agent, or Firm*—Sofer & Haroun, LLP

(57) **CLAIM**

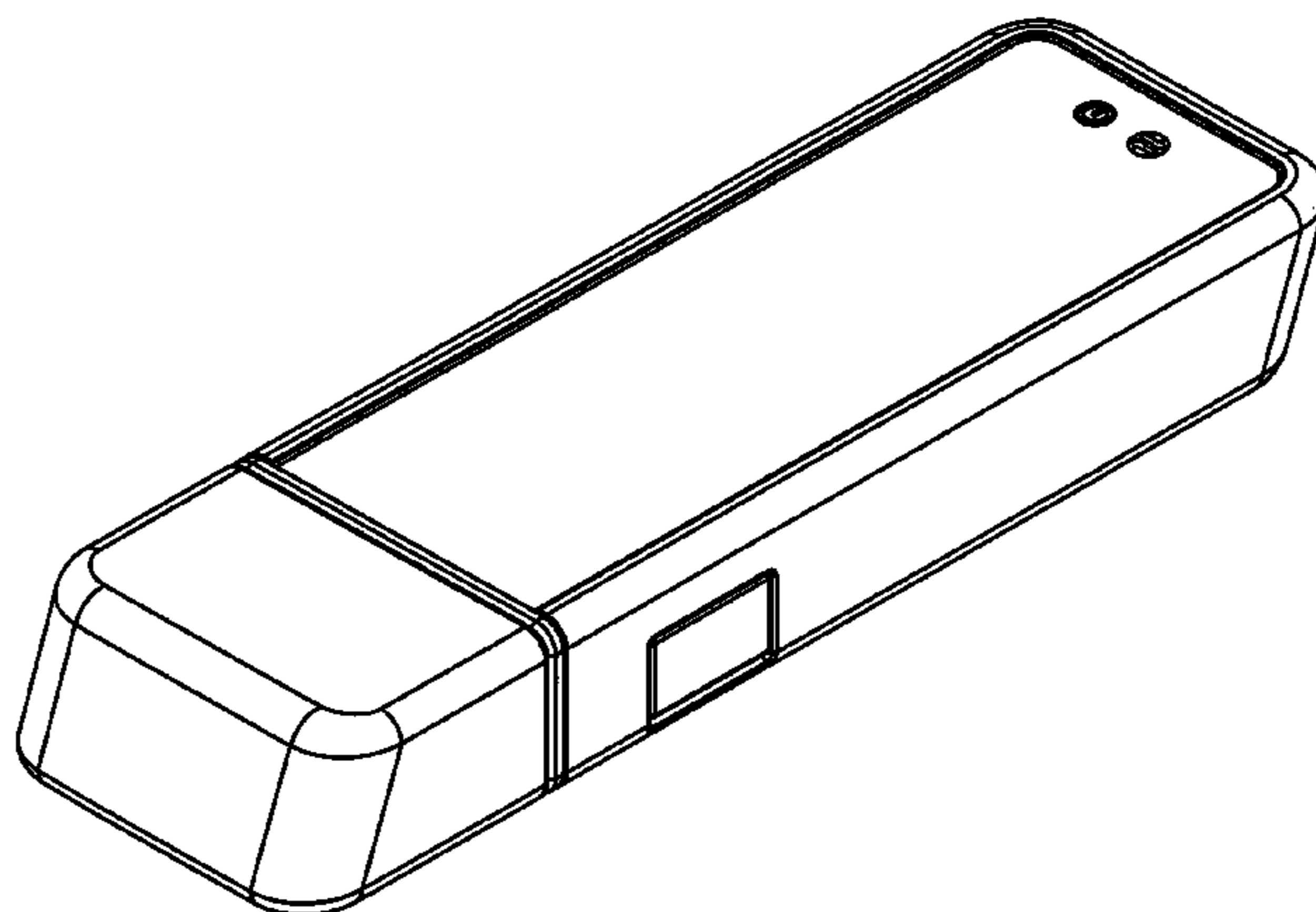
We claim the ornamental design for wireless device, as shown and described.

**DESCRIPTION**

FIG. 1 is a front perspective view of the wireless device;  
FIG. 2 is a front view of the wireless device;  
FIG. 3 is a right side view of the wireless device;  
FIG. 4 is a rear view of the wireless device;  
FIG. 5 is a left side view of the wireless device;  
FIG. 6 is a top view of the wireless device;  
FIG. 7 is a bottom view of the wireless device;  
FIG. 8 is a front perspective view of the wireless device, wherein the cap is removed for completeness and ease of illustration;  
FIG. 9 is a front view of the wireless device of FIG. 8;  
FIG. 10 is a right side view of the wireless device of FIG. 8;  
FIG. 11 is a rear view of the wireless device of FIG. 8;  
FIG. 12 is a left side view of the wireless device of FIG. 8;  
FIG. 13 is a top view of the wireless device of FIG. 8; and,  
FIG. 14 is a bottom view of the wireless device of FIG. 8.

The broken lines shown in FIGS. 4 and 11 are included for the purpose of illustrating unclaimed portions and form no part of the claimed design.

**1 Claim, 12 Drawing Sheets**



# US D631,055 S

Page 2

## U.S. PATENT DOCUMENTS

D486,829 S \* 2/2004 Wang et al. .... D14/433  
D500,302 S \* 12/2004 Deguchi ..... D14/480.1  
D511,770 S \* 11/2005 Chung ..... D14/240  
D530,340 S \* 10/2006 Andre et al. .... D14/203.3  
D530,342 S \* 10/2006 Lee et al. .... D14/496  
D531,190 S \* 10/2006 Lee et al. .... D14/203.3  
D538,297 S \* 3/2007 Ching ..... D14/203.3  
D539,813 S \* 4/2007 Chen ..... D14/203.3  
D542,787 S \* 5/2007 Siu ..... D14/356  
D542,788 S \* 5/2007 Gutmann et al. .... D14/480.5  
D544,480 S \* 6/2007 Murakami ..... D14/435.1  
D555,158 S \* 11/2007 Lo ..... D14/356  
D558,763 S \* 1/2008 Morganstern et al. .... D14/356  
D558,787 S \* 1/2008 Yu et al. .... D14/496  
D558,972 S \* 1/2008 Oh ..... D3/201

D601,152 S \* 9/2009 Moshes et al. .... D14/480.7  
D609,712 S \* 2/2010 Bedol ..... D14/480.5  
D610,134 S \* 2/2010 Gotzen ..... D14/242  
2008/0160803 A1\* 7/2008 Morganstern et al. .... 439/131  
2008/0316697 A1\* 12/2008 Zhu ..... 361/684  
2009/0033621 A1\* 2/2009 Quinn et al. .... 345/158

## OTHER PUBLICATIONS

alibaba.com, [online], [retrieved on Nov. 16, 2006]. Retrieved from the Internet <URL: [http://img.alibaba.com/photo/11493648/USB\\_Flash\\_Drive.jpg](http://img.alibaba.com/photo/11493648/USB_Flash_Drive.jpg)>.\*

CES Flash Memory USB Flash Drives, [online] posted on Jan. 6, 2009 [retrieved from the Internet <URL: <http://www.ces-show.com/flashmemory/usbflashdrive/>>].\*

\* cited by examiner

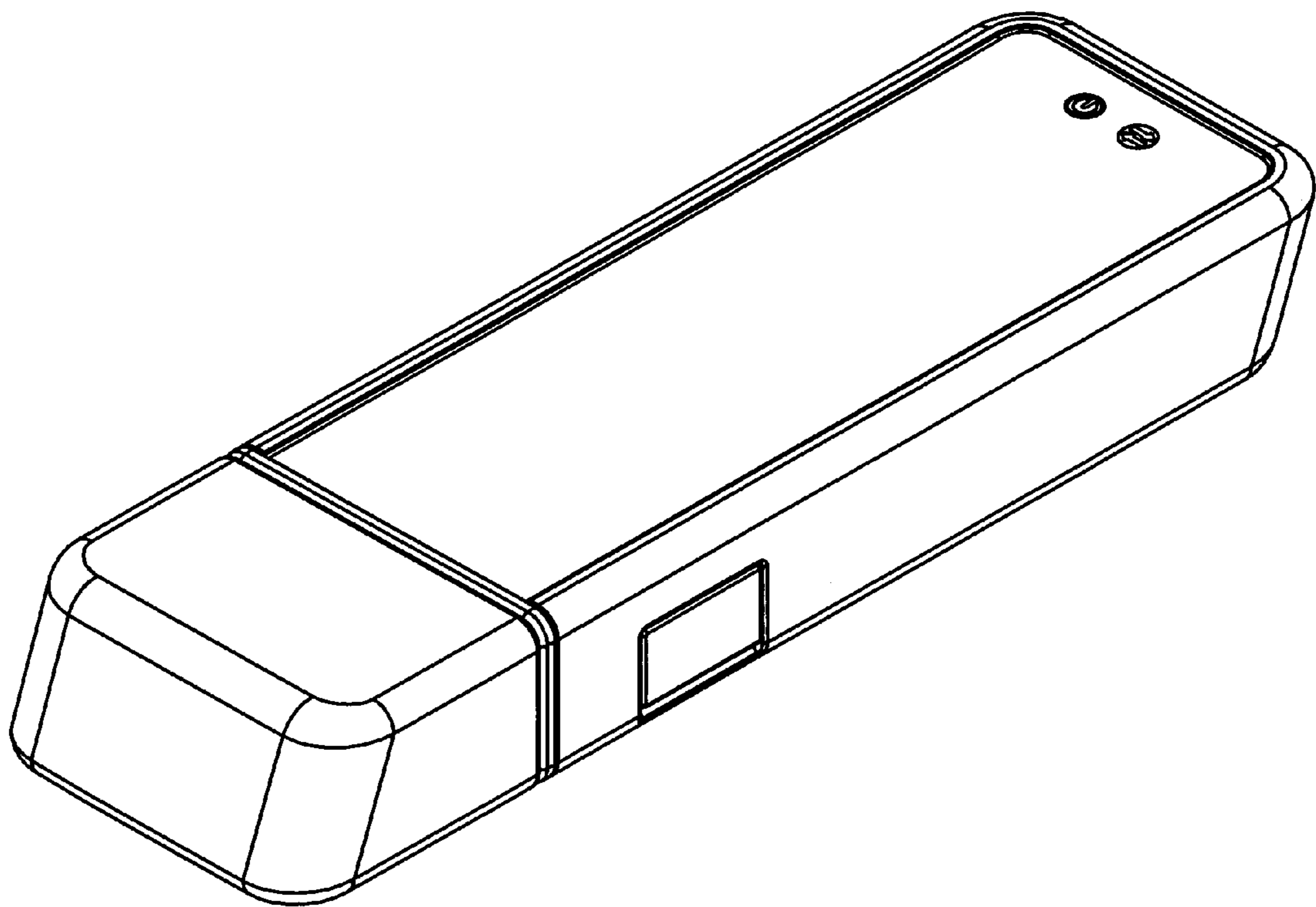


FIGURE 1

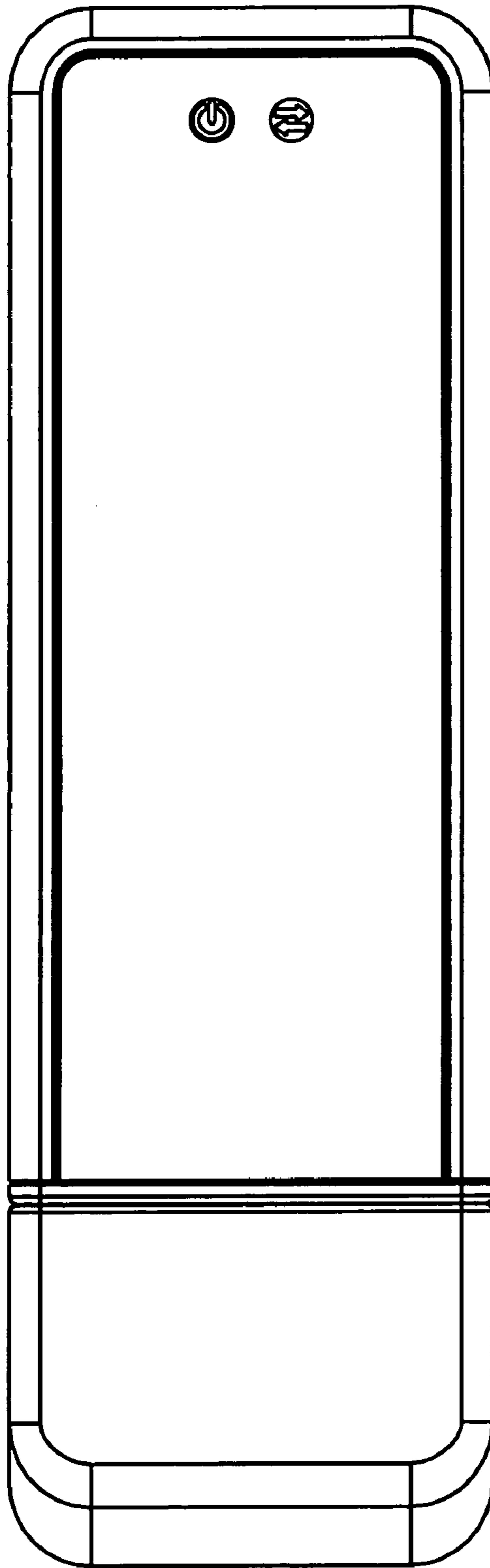


FIGURE 2

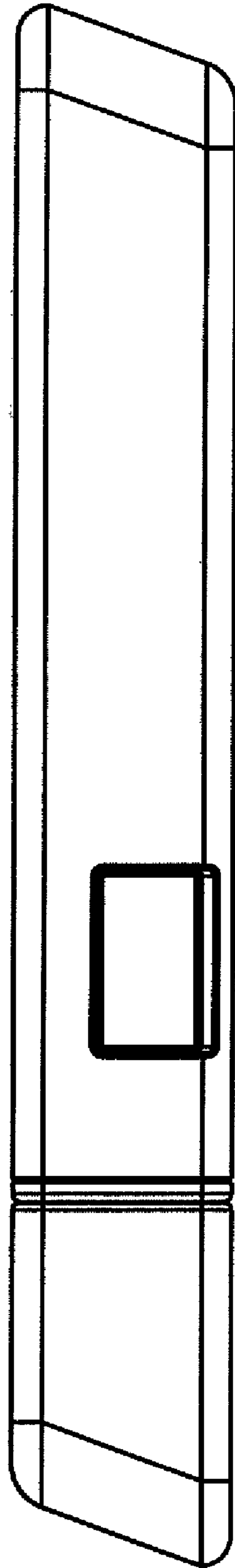


FIGURE 3

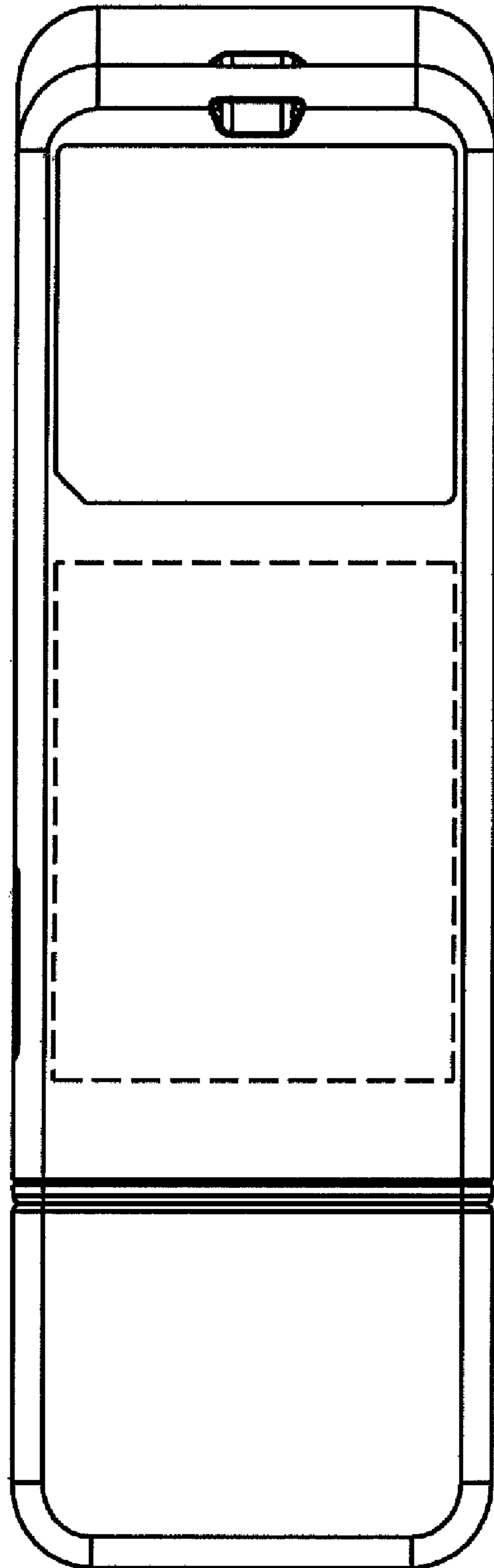


FIGURE 4

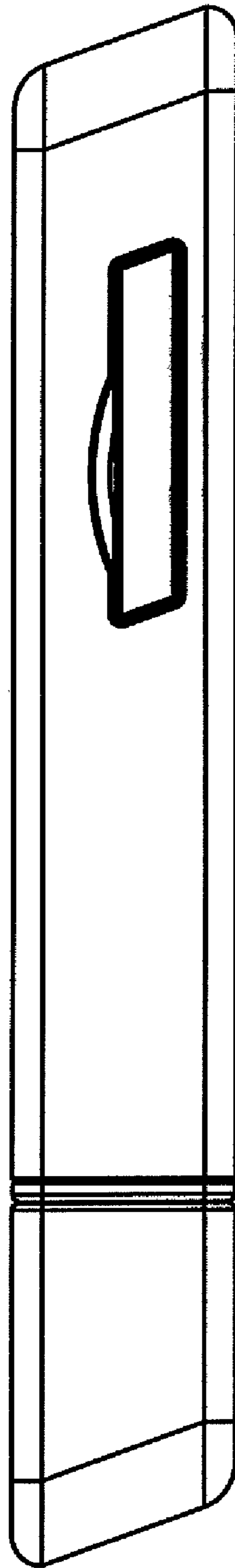


FIGURE 5

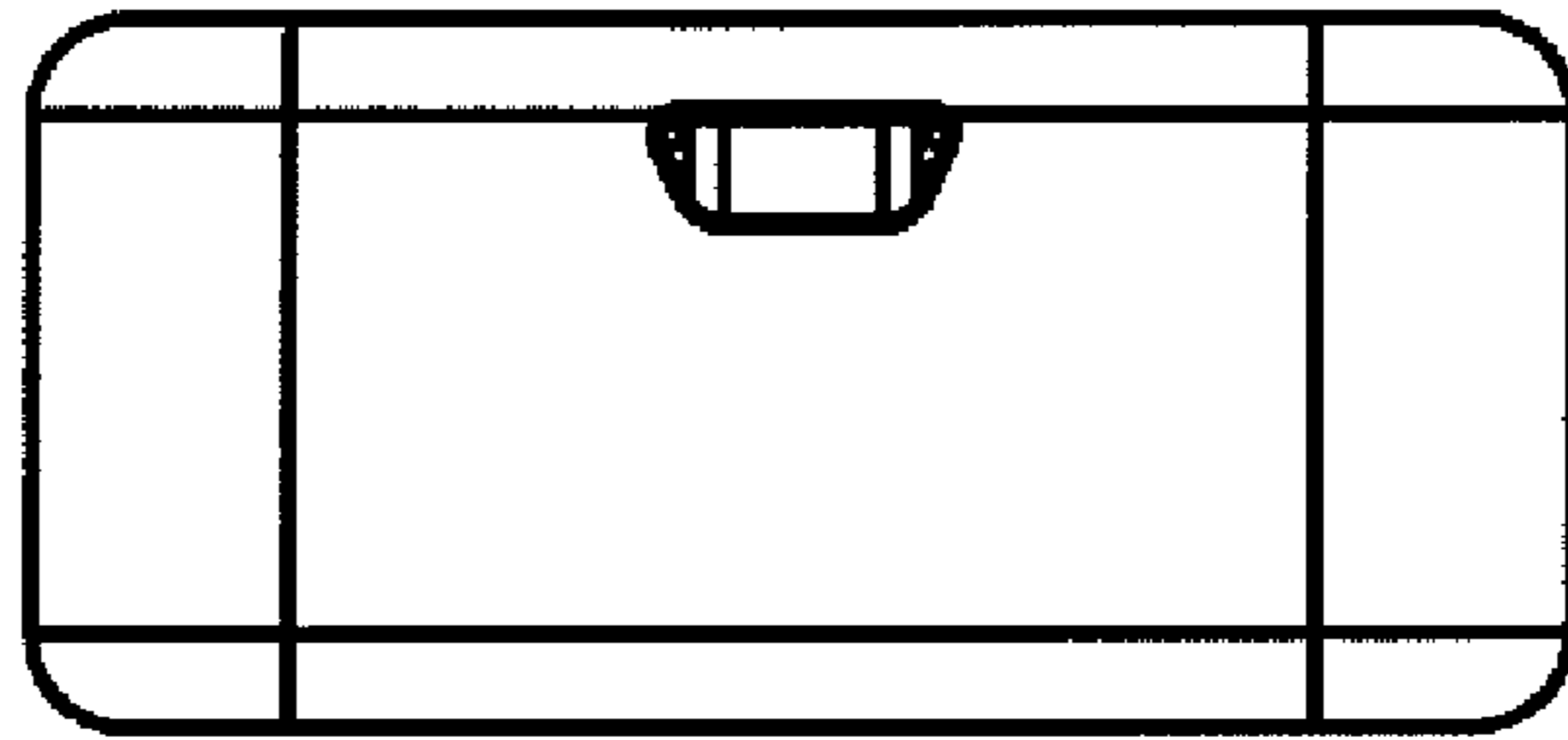


FIGURE 6

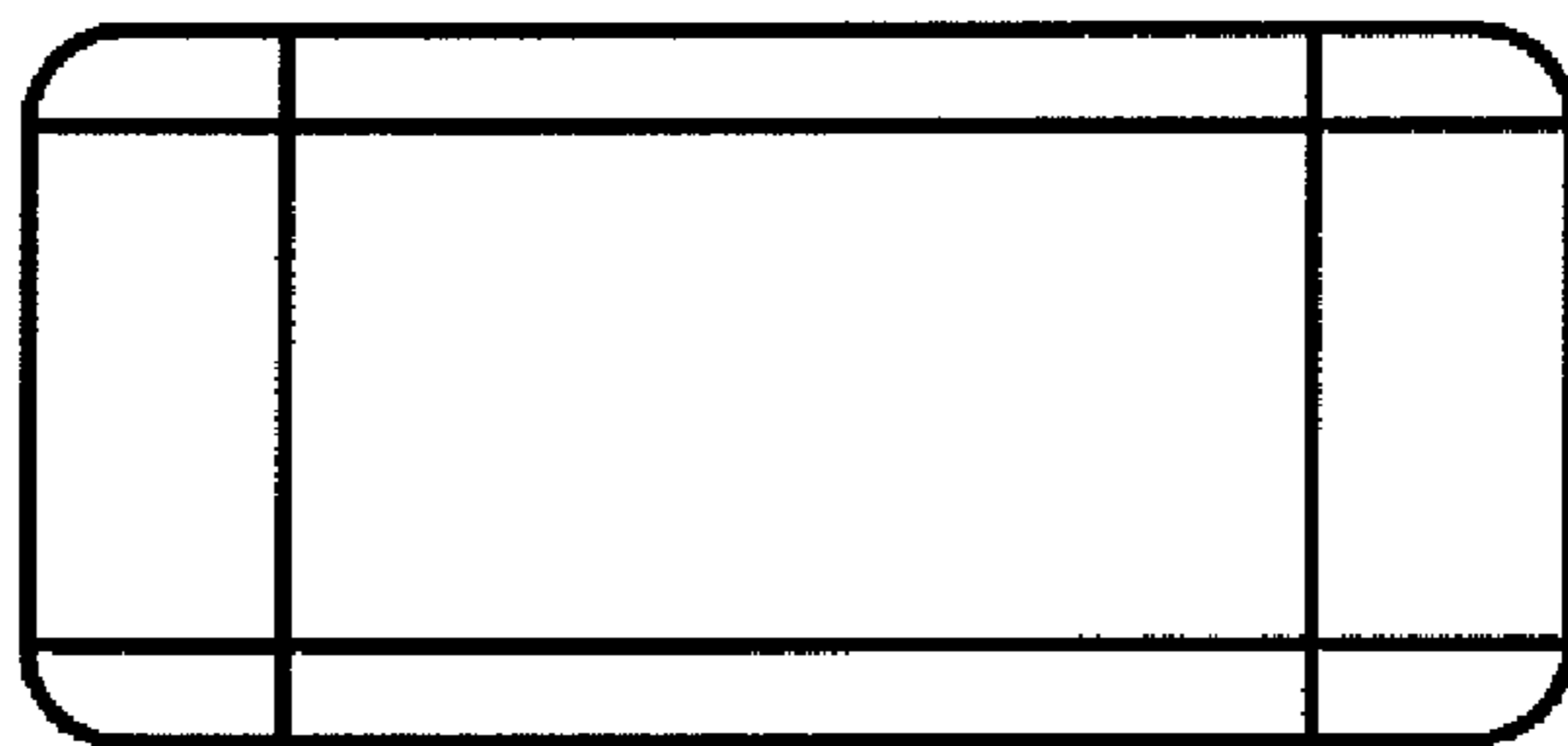


FIGURE 7



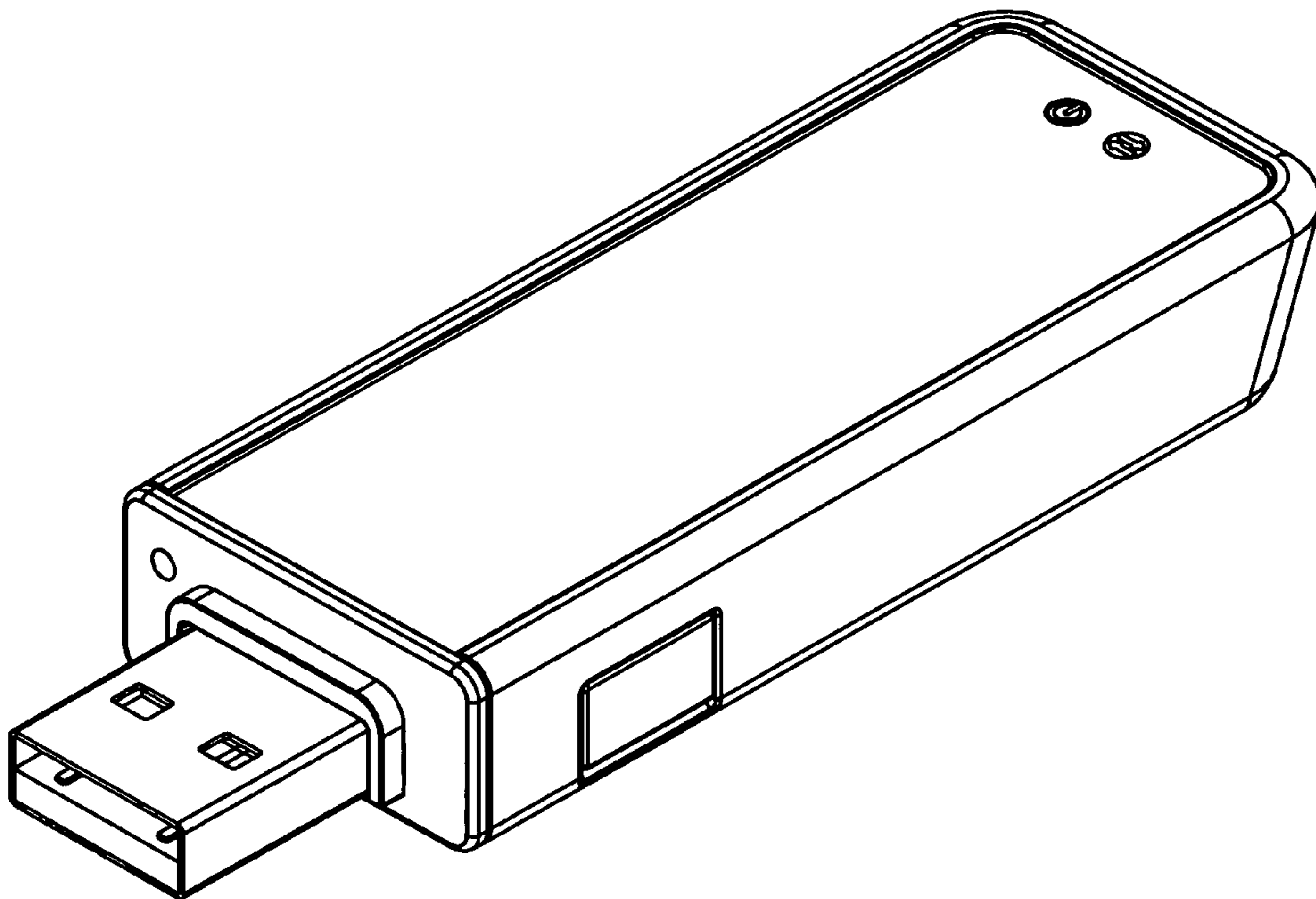


FIGURE 8

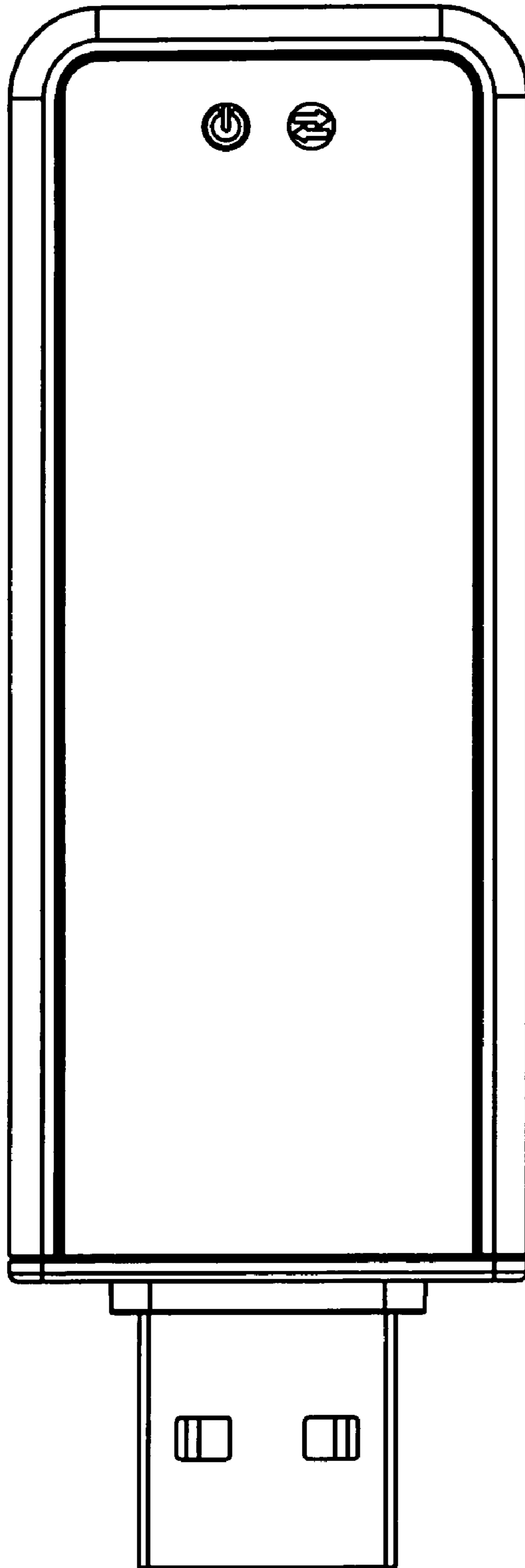


FIGURE 9

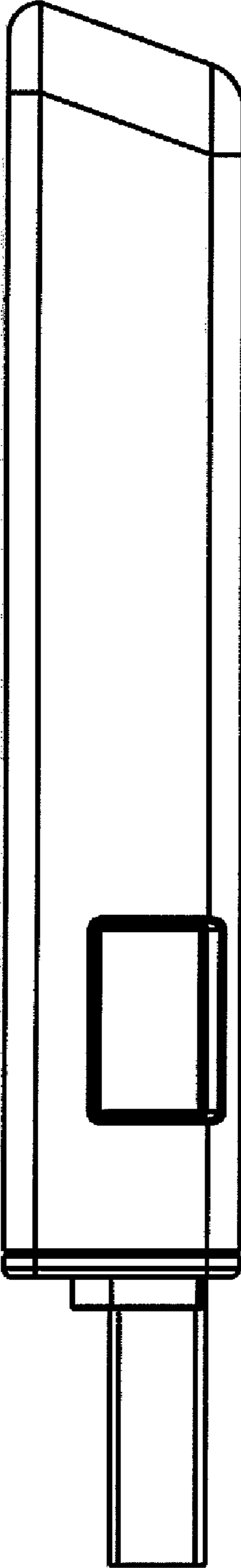


FIGURE 10

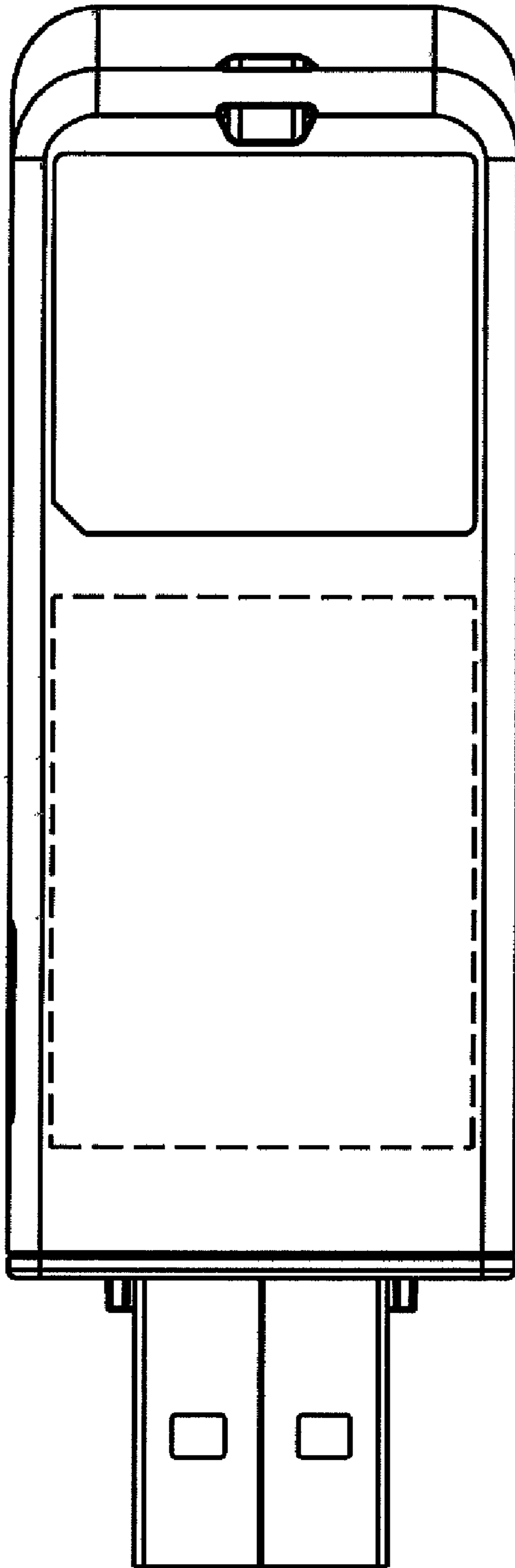


FIGURE 11

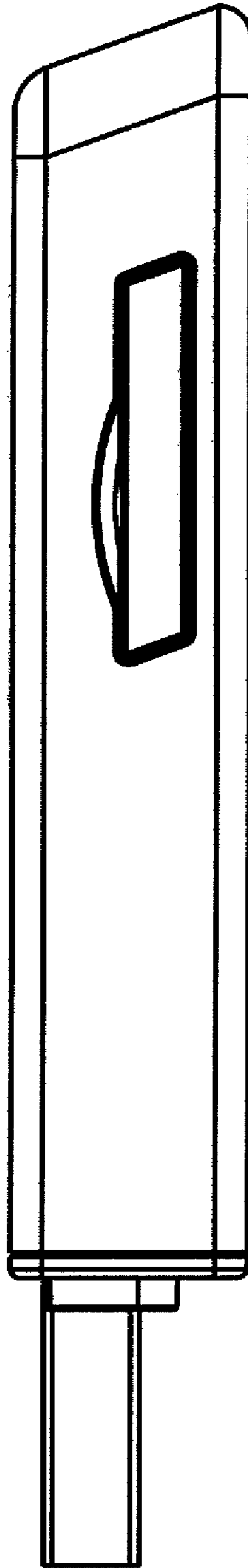


FIGURE 12

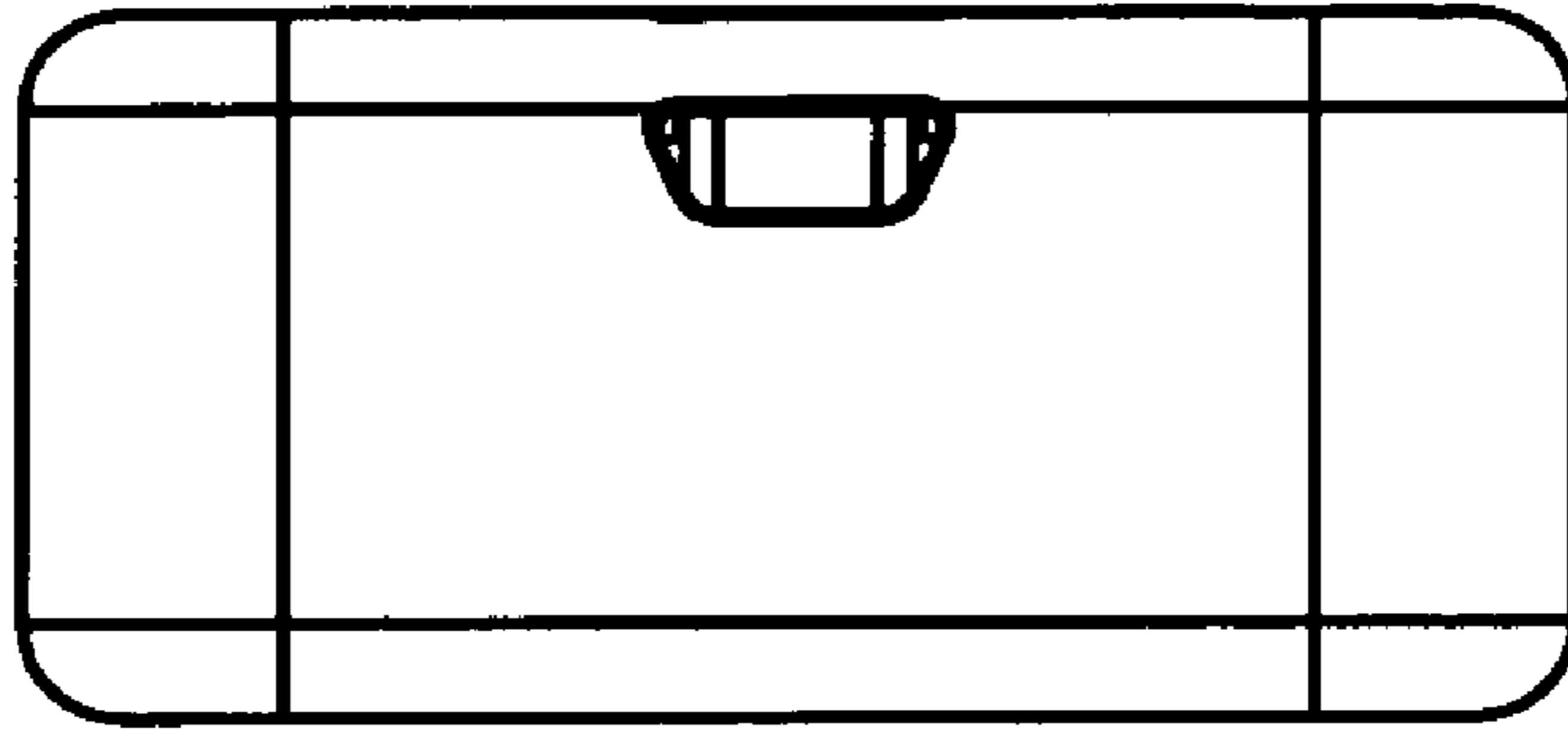


FIGURE 13

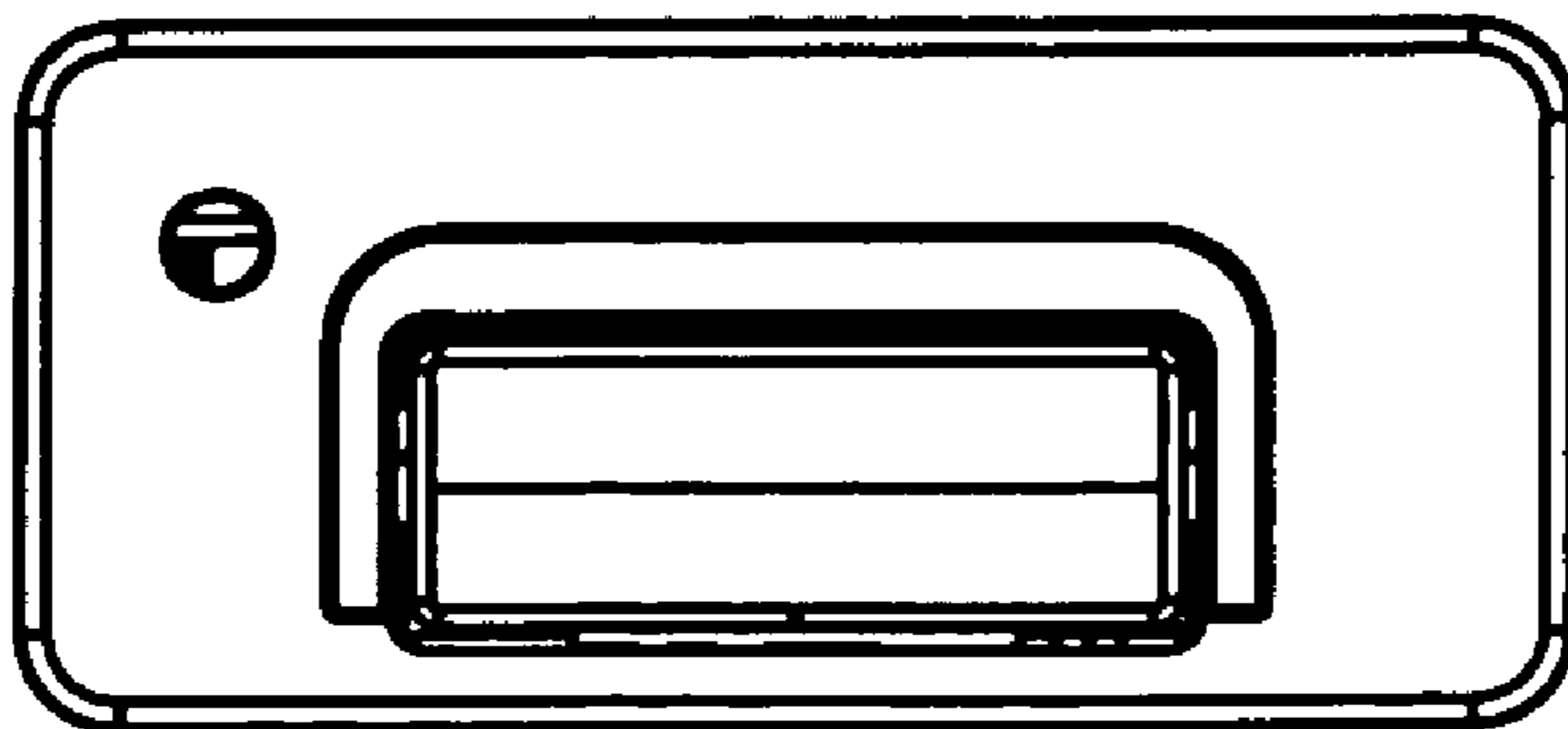


FIGURE 14