



US00D631052S

(12) **United States Design Patent**
Hung

(10) **Patent No.:** **US D631,052 S**

(45) **Date of Patent:** **** Jan. 18, 2011**

(54) **SUPPORTING ARM FOR A SCREEN**

(75) Inventor: **Chin-Jui Hung**, Taichung Hsien (TW)

(73) Assignee: **Modernsolid Industrial Co., Ltd.**,
Taichung Hsien (TW)

(**) Term: **14 Years**

(21) Appl. No.: **29/361,282**

(22) Filed: **May 10, 2010**

(51) **LOC (9) Cl.** **08-07**

(52) **U.S. Cl.** **D14/452**

(58) **Field of Classification Search** D14/447,
D14/451, 452, 239, 432, 434, 439, 448, 457,
D14/251, 253, 224, 224.1, 126, 127, 371,
D14/373, 374, 375; D8/363, 373, 380; 248/917,
248/918, 919, 920, 921, 922, 923, 924, 441.1,
248/460, 122.1, 125.7, 371, 176.1, 176.3,
248/222.52, 276.1, 324; 361/679.06, 679.04,
361/679.21, 679.22, 679.56

See application file for complete search history.

(56) **References Cited**

U.S. PATENT DOCUMENTS

D435,852 S *	1/2001	Oddsens, Jr.	D14/452
D494,183 S *	8/2004	Wills et al.	D14/452
D537,323 S *	2/2007	Saez	D8/363
D541,807 S *	5/2007	Oddsens et al.	D14/452
D541,808 S *	5/2007	Oddsens et al.	D14/452
D542,297 S *	5/2007	Hung	D14/452
D544,489 S *	6/2007	Oddsens et al.	D14/452

D557,125 S *	12/2007	Worrall et al.	D8/380
D559,662 S *	1/2008	Sculler et al.	D8/380
D570,853 S *	6/2008	Derry et al.	D14/452
D577,731 S *	9/2008	Altonji et al.	D14/452
D598,917 S *	8/2009	Luber	D14/375
2004/0031893 A1 *	2/2004	Smed	248/278.1

* cited by examiner

Primary Examiner—Angela J Lee

(74) *Attorney, Agent, or Firm*—Pai Patent & Trademark Law Firm; Chao-Chang David Pai

(57) **CLAIM**

The ornamental design for a supporting arm for a screen, as shown and described.

DESCRIPTION

FIG. 1 is a perspective view of a supporting arm for a screen, showing my new design;

FIG. 2 is a front view thereof;

FIG. 3 is a rear view thereof;

FIG. 4 is a left side view thereof;

FIG. 5 is a right side view thereof;

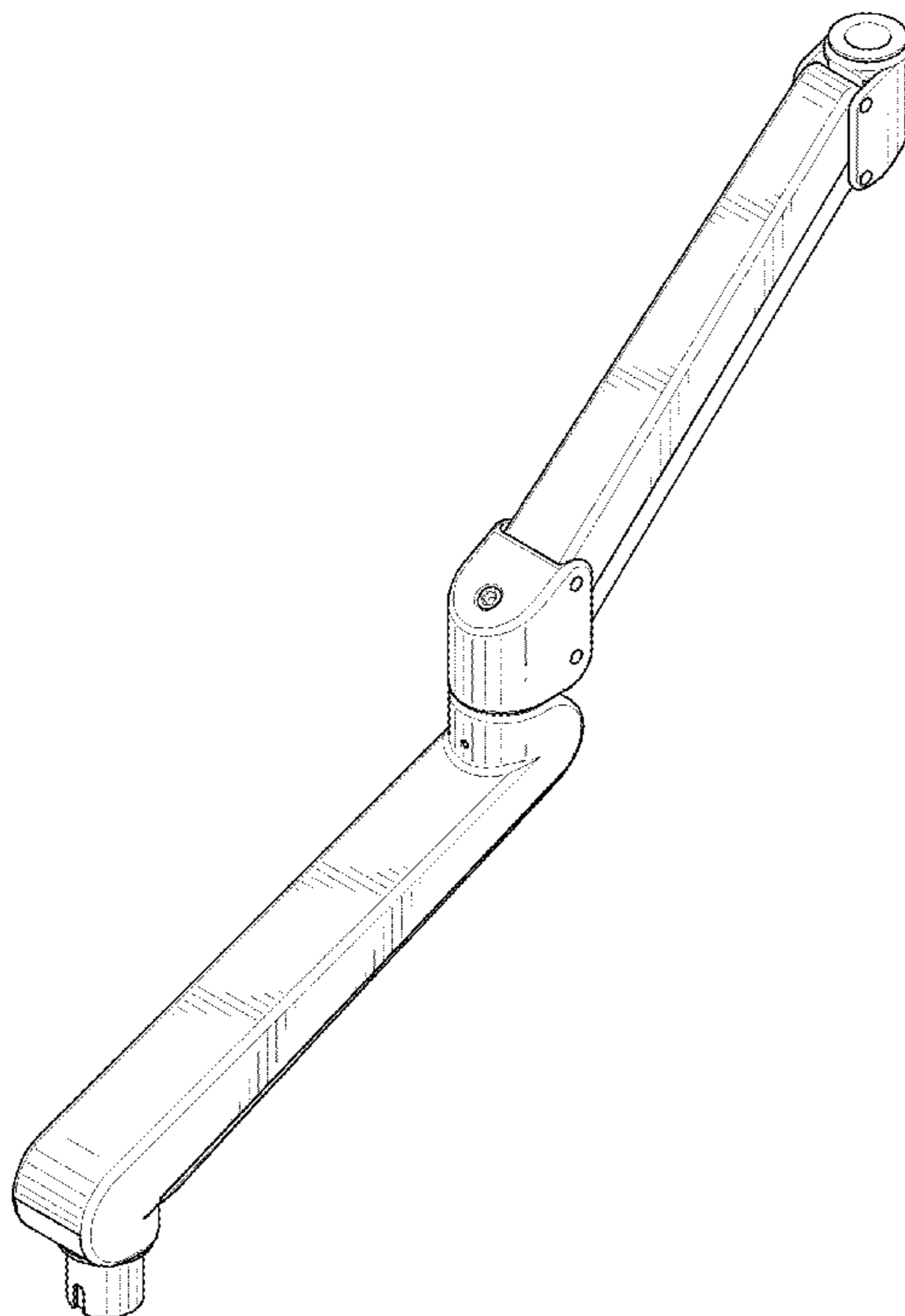
FIG. 6 is a top view thereof;

FIG. 7 is a bottom view thereof;

FIG. 8 is another perspective view thereof; and,

FIG. 9 is a perspective view showing an embodiment of the claimed design, wherein the broken lines are shown for illustrative purposes only and form no part of the claimed design.

1 Claim, 7 Drawing Sheets



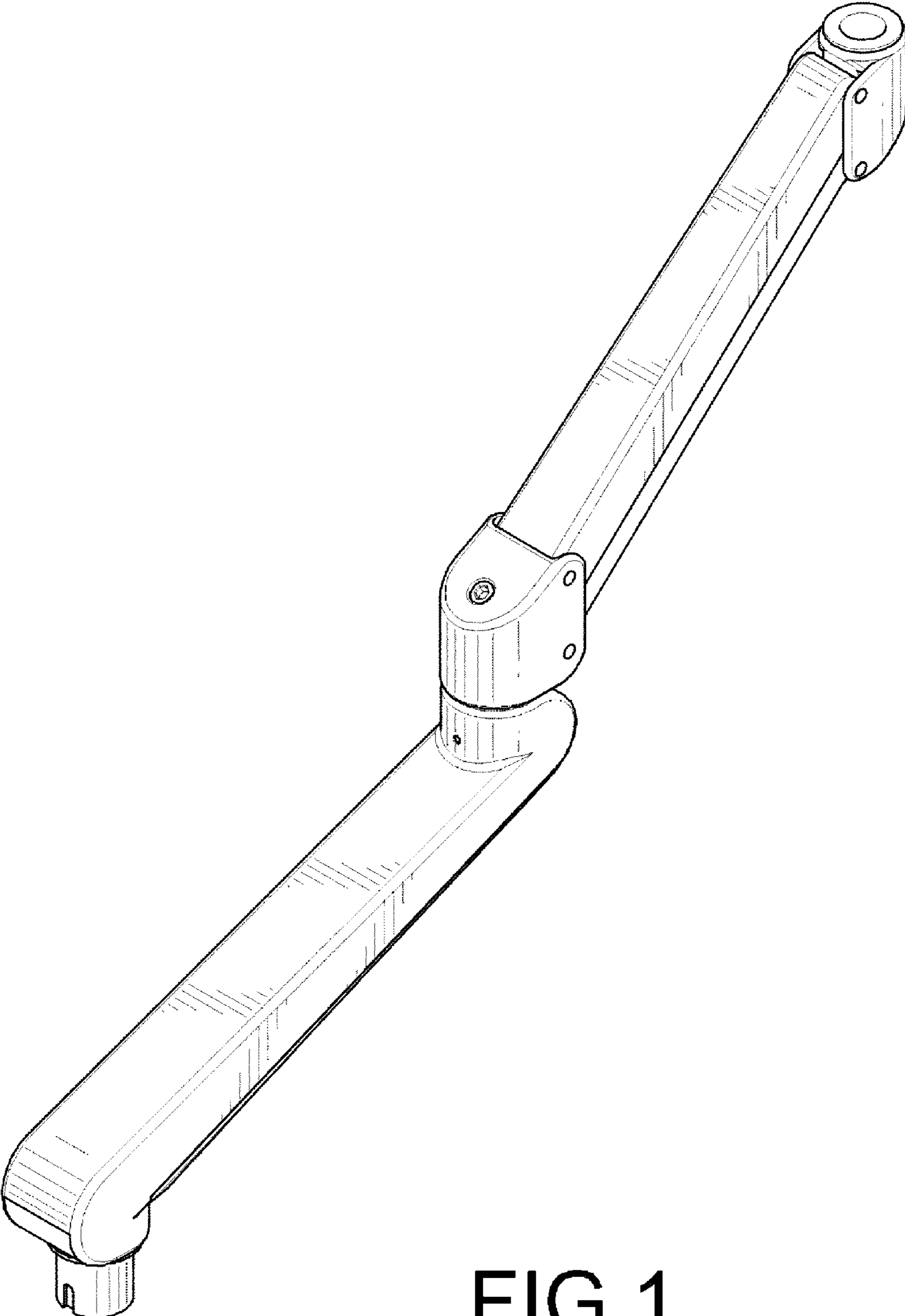


FIG. 1

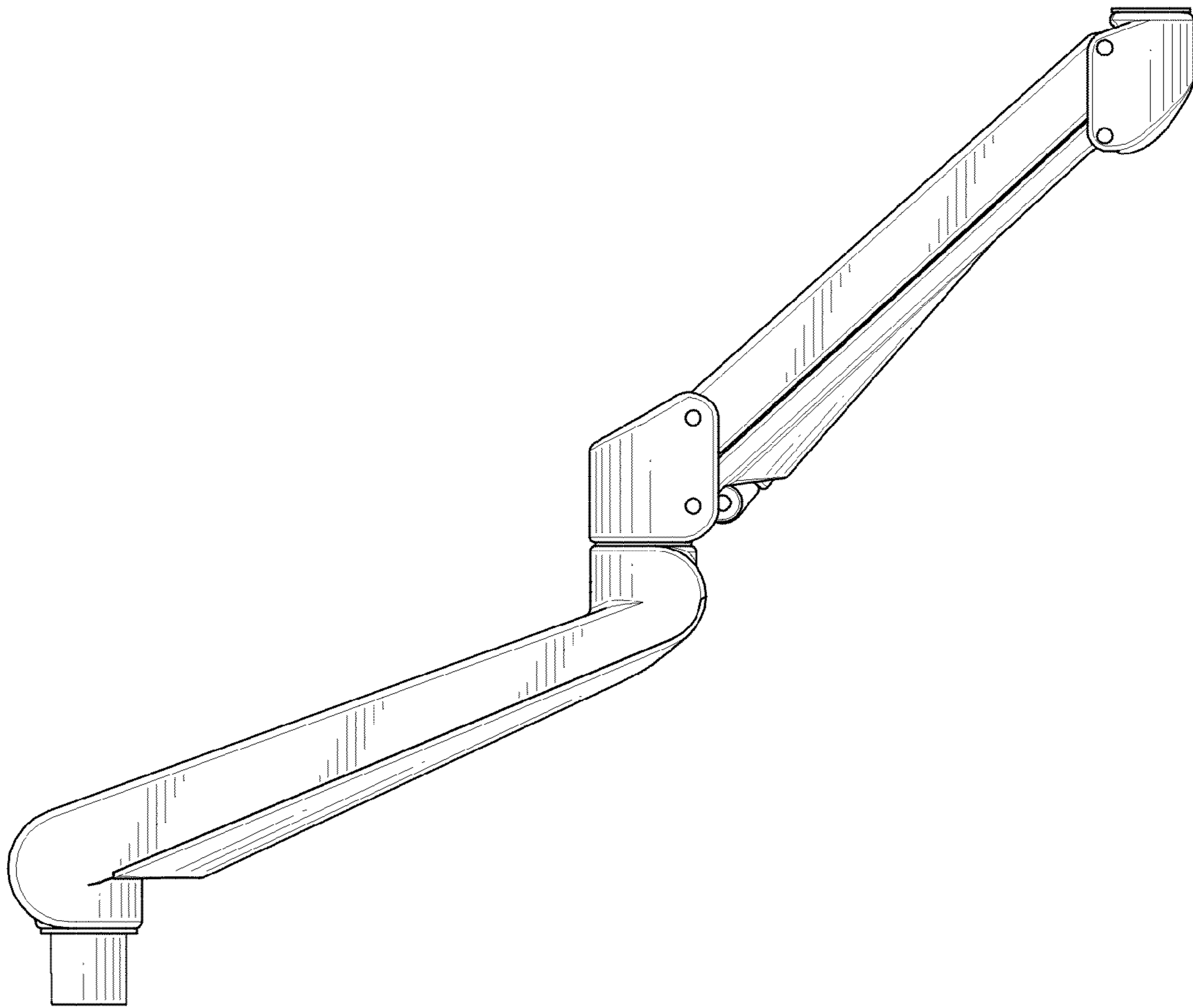


FIG.2

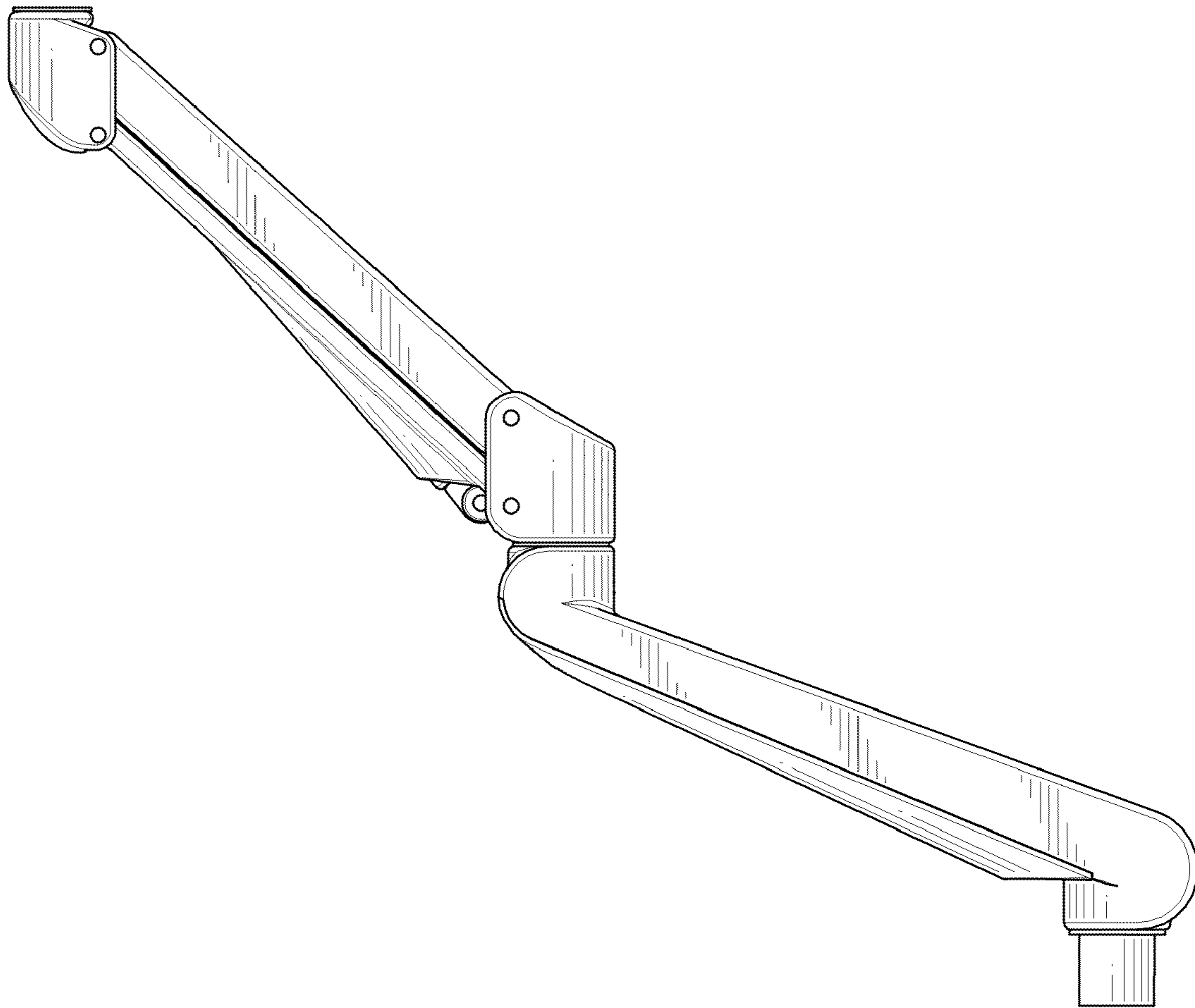


FIG.3

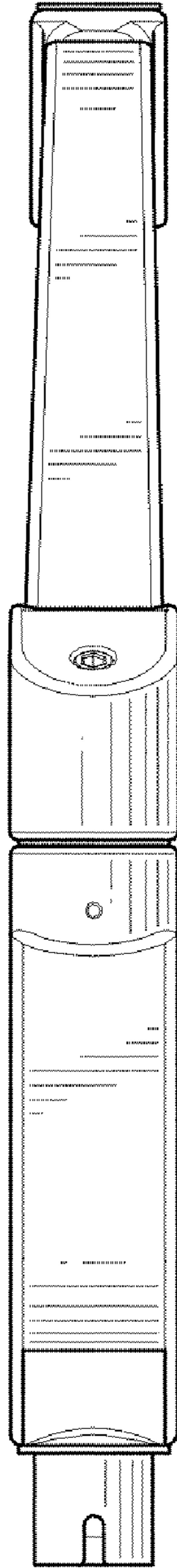


FIG. 4

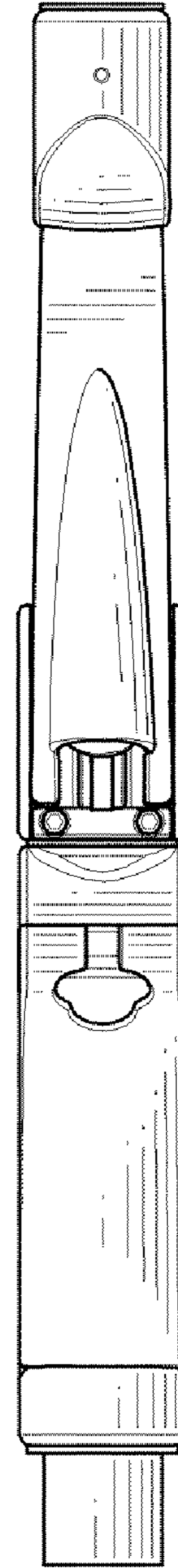


FIG. 5

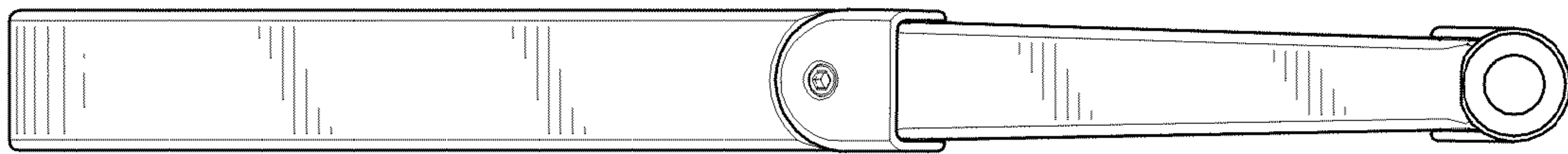


FIG. 6

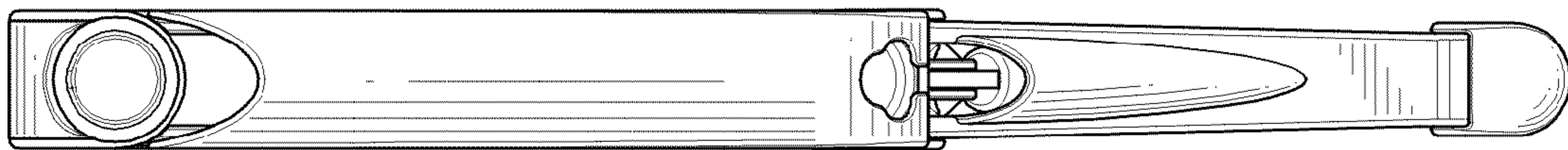


FIG. 7

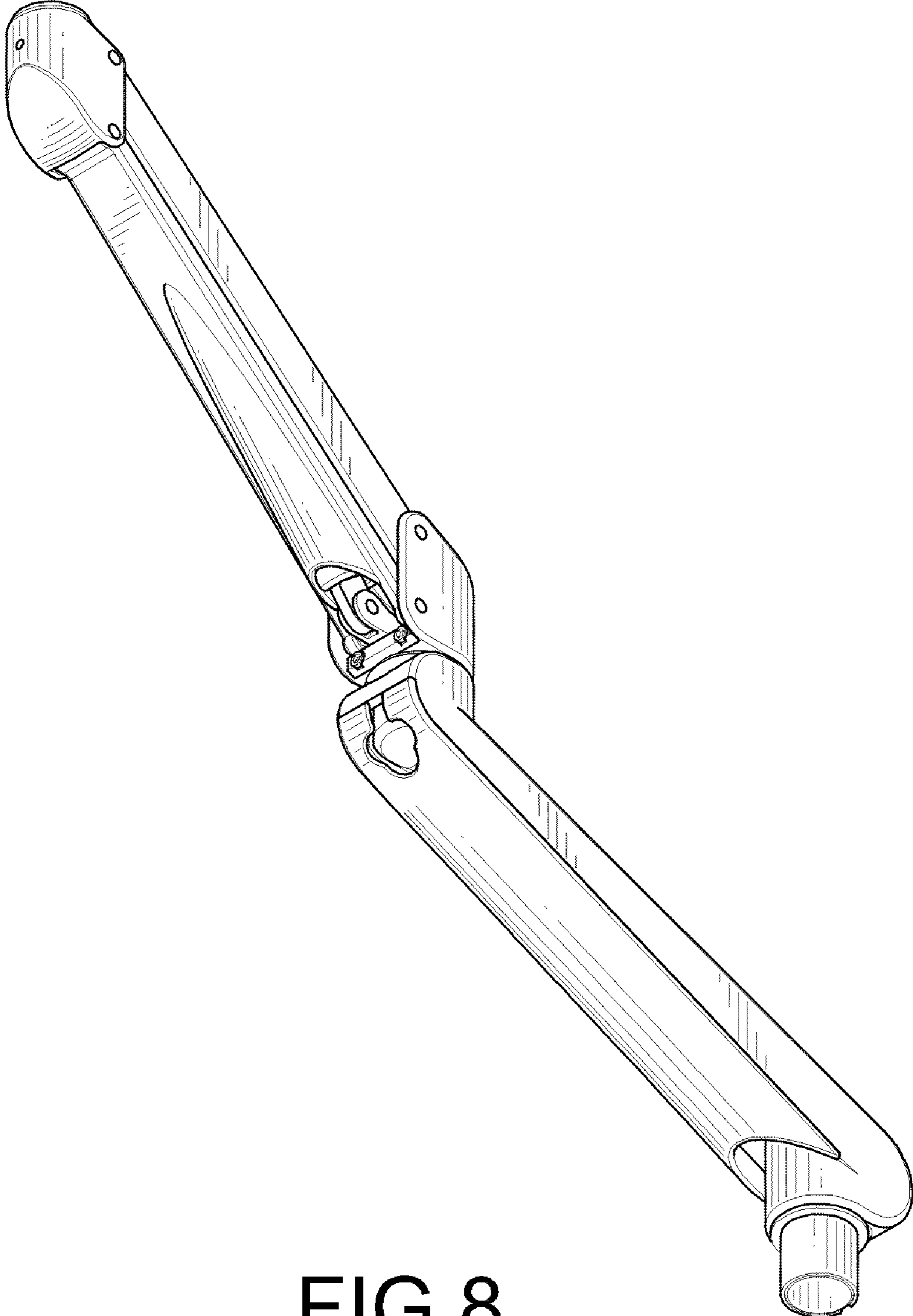


FIG.8

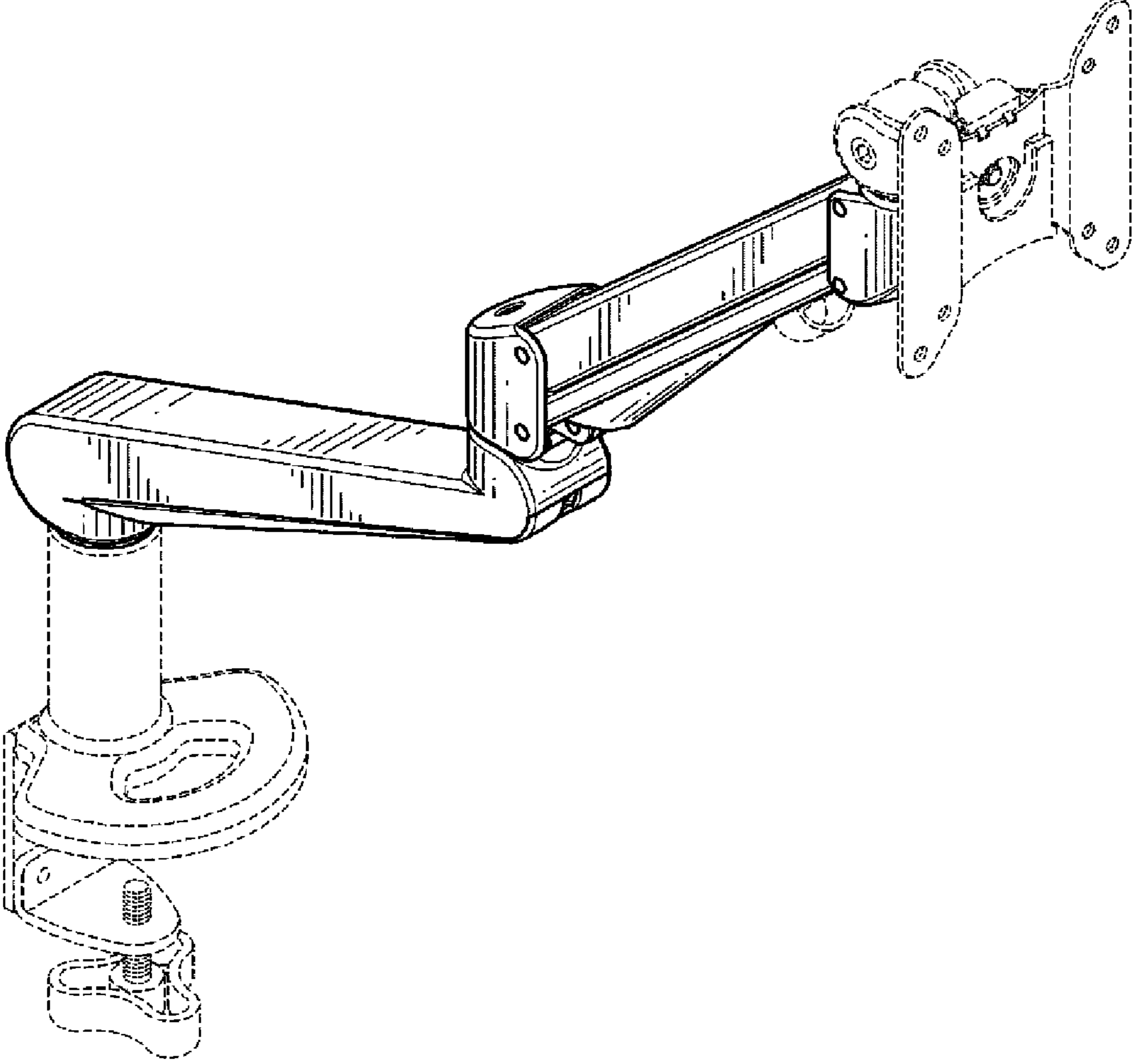


FIG.9