



US00D631050S

(12) **United States Design Patent**
Iliffe-Moon et al.

(10) **Patent No.:** **US D631,050 S**
(45) **Date of Patent:** **** Jan. 18, 2011**

(54) **SCANNER**

(75) Inventors: **Etienne Iliffe-Moon**, Newbury Park, CA (US); **Adil Ali**, Newbury Park, CA (US); **Shanshan Li**, Fort Collins, CO (US); **Holger Hampf**, Newbury Park, CA (US); **Edward George Trick**, Fort Collins, CO (US)

(73) Assignee: **Hewlett-Packard Development Company, L.P.**, Houston, TX (US)

(**) Term: **14 Years**

(21) Appl. No.: **29/345,027**

(22) Filed: **Oct. 8, 2009**

(51) **LOC (9) Cl.** **14-02**

(52) **U.S. Cl.** **D14/422**

(58) **Field of Classification Search** D14/420-425, D14/462-470, 389, 125, 399; D18/50, 54, D18/55, 53, 36-39, 14, 18-21, 49, 52, 51, D18/54.4; 358/400, 401, 448, 474, 486-488, 358/496; 382/312, 317, 321, 315; 400/613, 400/613.1-613.4, 690.1-690.4, 691-694, 400/88, 175; 399/107, 379, 380, 211, 212; 235/462.11, 462.41, 472.01, 470, 462.43; 361/680, 681

See application file for complete search history.

(56) **References Cited**

U.S. PATENT DOCUMENTS

- D263,831 S * 4/1982 Barbera et al. D14/462
- D264,846 S * 6/1982 Taguchi D14/462
- 4,806,036 A * 2/1989 Ward et al. 400/691
- D312,079 S * 11/1990 Komatsu D14/469
- D315,360 S * 3/1991 Tokuda et al. D18/54
- D333,316 S * 2/1993 Ishizawa D18/55
- D337,578 S * 7/1993 Nagele D14/469
- D340,740 S * 10/1993 Kawashima D18/50
- D344,513 S * 2/1994 Taniuchi et al. D14/144
- D350,977 S * 9/1994 Lewis et al. D18/50
- D378,927 S * 4/1997 Kasahara et al. D18/50

- D382,256 S 8/1997 Lin
- D399,524 S * 10/1998 Nakajima D18/50
- D408,799 S * 4/1999 Daury D14/385
- D409,584 S 5/1999 Feherolf
- D422,570 S * 4/2000 Kobayashi D14/509
- D443,878 S * 6/2001 Sakata et al. D14/422
- D444,813 S * 7/2001 Quijano D18/55
- 6,540,219 B1 * 4/2003 Naruse et al. 271/37
- D475,052 S * 5/2003 Chujou et al. D14/422
- 6,568,674 B2 * 5/2003 Matsuda 271/274
- D478,618 S * 8/2003 Obara D18/54
- D518,826 S * 4/2006 Chujou et al. D14/422
- D573,596 S * 7/2008 Laidlaw et al. D14/422
- D579,016 S * 10/2008 Romanoff et al. D14/422
- 2003/0063337 A1 * 4/2003 Shirai et al. 358/498

OTHER PUBLICATIONS

Richard Jantz, Canon DR-2050C Sheetfed Scanner Review, www.pcworld.com, Feb. 19, 2007, (2 pages).

(Continued)

Primary Examiner—Susan Moon Lee

(57) **CLAIM**

The ornamental design for a scanner, as shown and described herein.

DESCRIPTION

FIG. 1 is a front, top, and right side perspective view of a scanner;

FIG. 2 is a front elevational view thereof;

FIG. 3 is a rear elevational view thereof;

FIG. 4 is a top plan view thereof;

FIG. 5 is a bottom plan view thereof;

FIG. 6 is a right elevational view thereof; and,

FIG. 7 is a left elevational view thereof.

Those portions of the Figures shown in broken lines are included for illustrative purposes only and form no part of the claimed design.

1 Claim, 7 Drawing Sheets



US D631,050 S

Page 2

OTHER PUBLICATIONS

Richard Jantz, Fujitsu ScanSnap s500 Review, www.pcworls.com, Feb. 19, 2007, (2 pages).

Richard Jantz, HP Scanjet N6010 Sheetfed Scanner Review, www.pcworld.com, Feb. 19, 2007, (2 pages).

Richard Jantz, Kodak i1210 Sheetfed Scanner Review, www.pcworld.com, Feb. 19, 2007, (2 pages).

* cited by examiner



Fig. 1

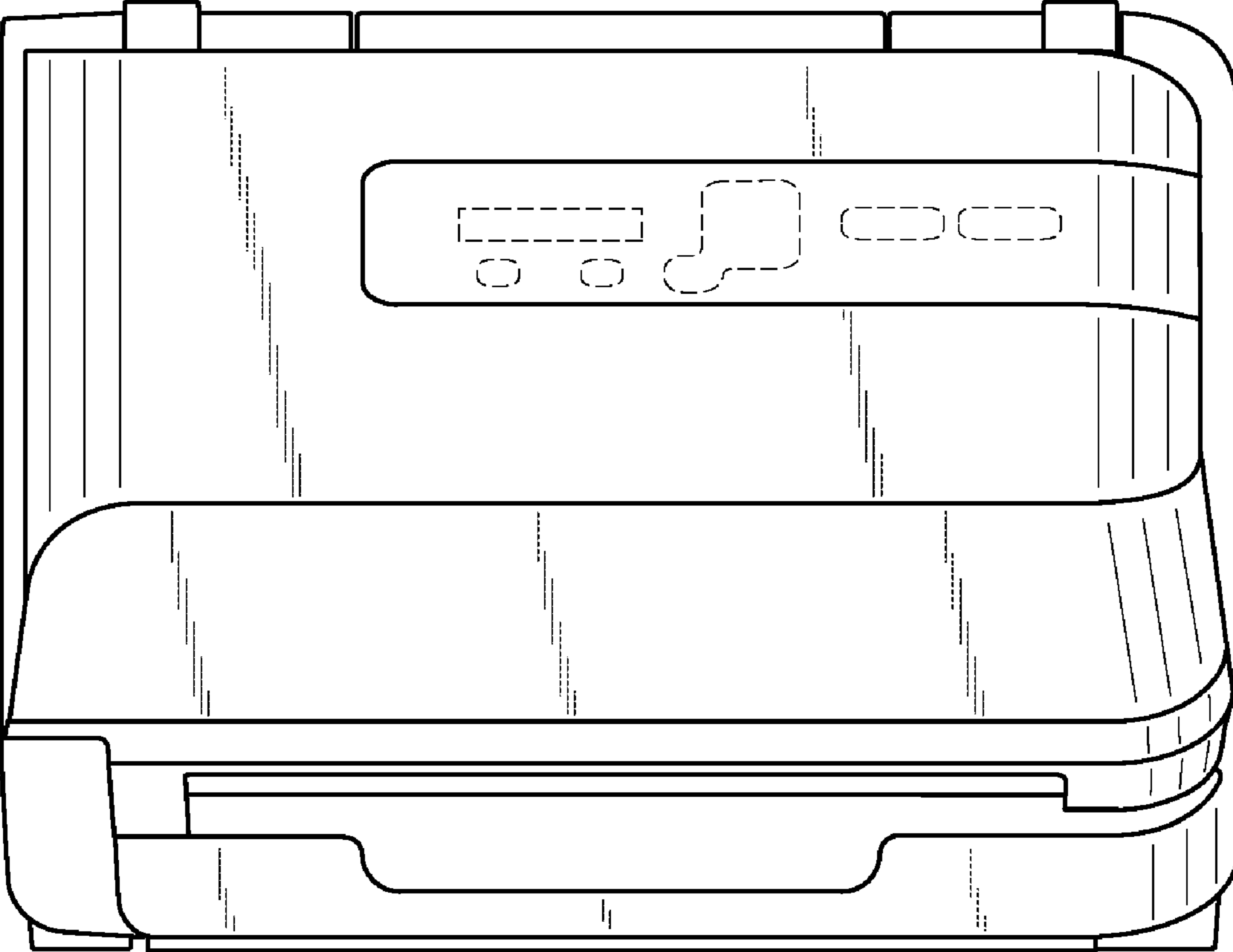


Fig. 2

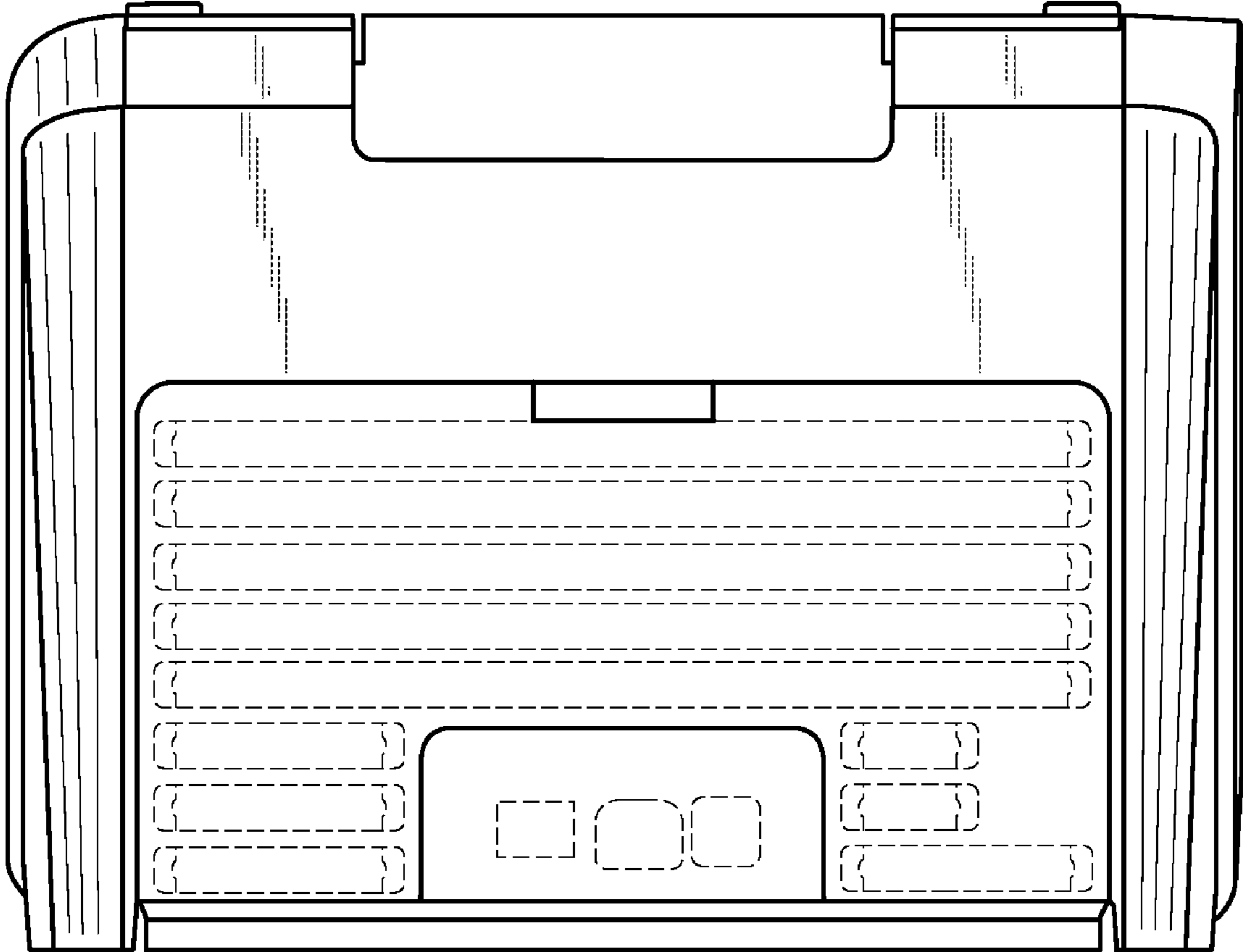


Fig. 3

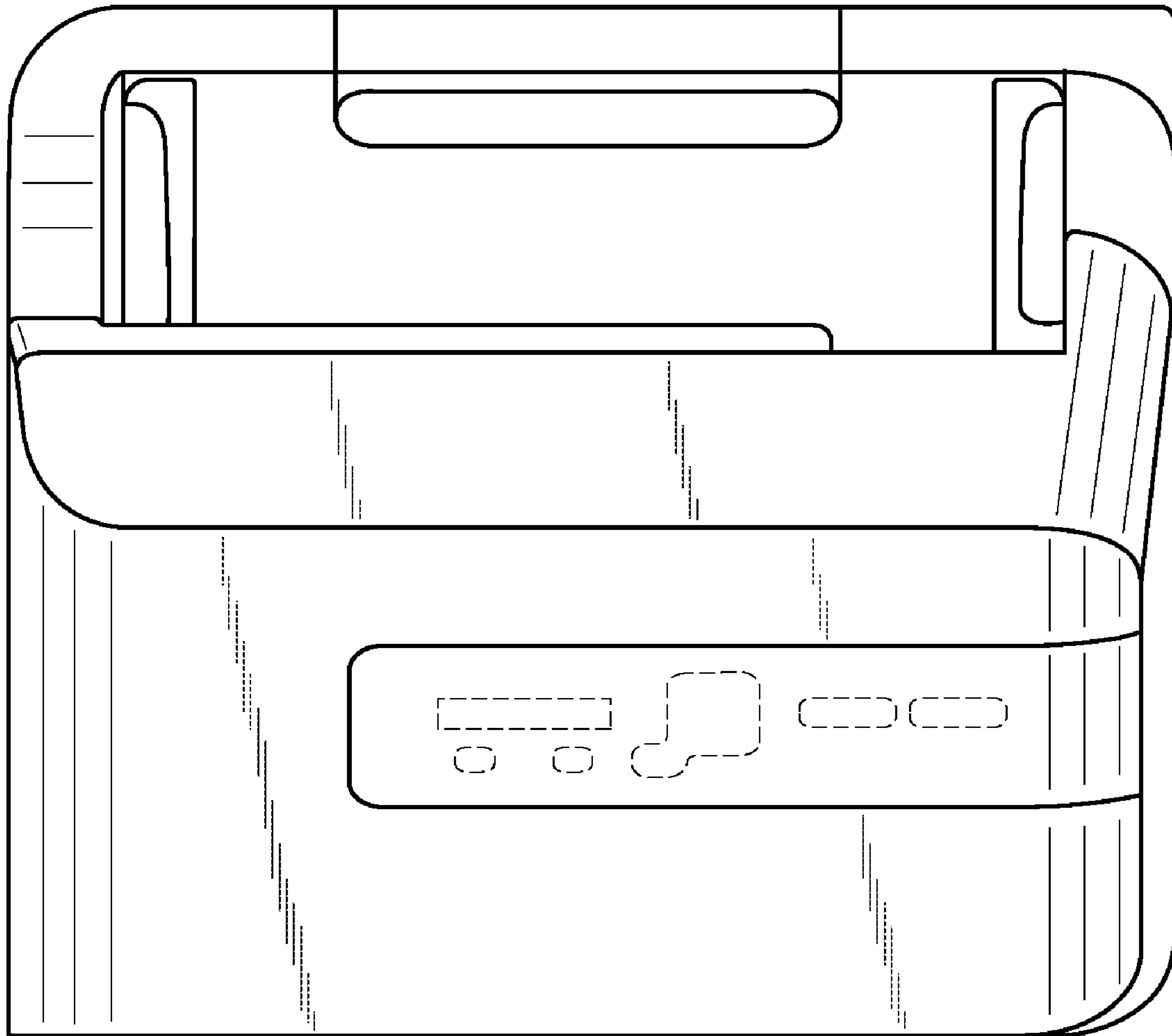


Fig. 4

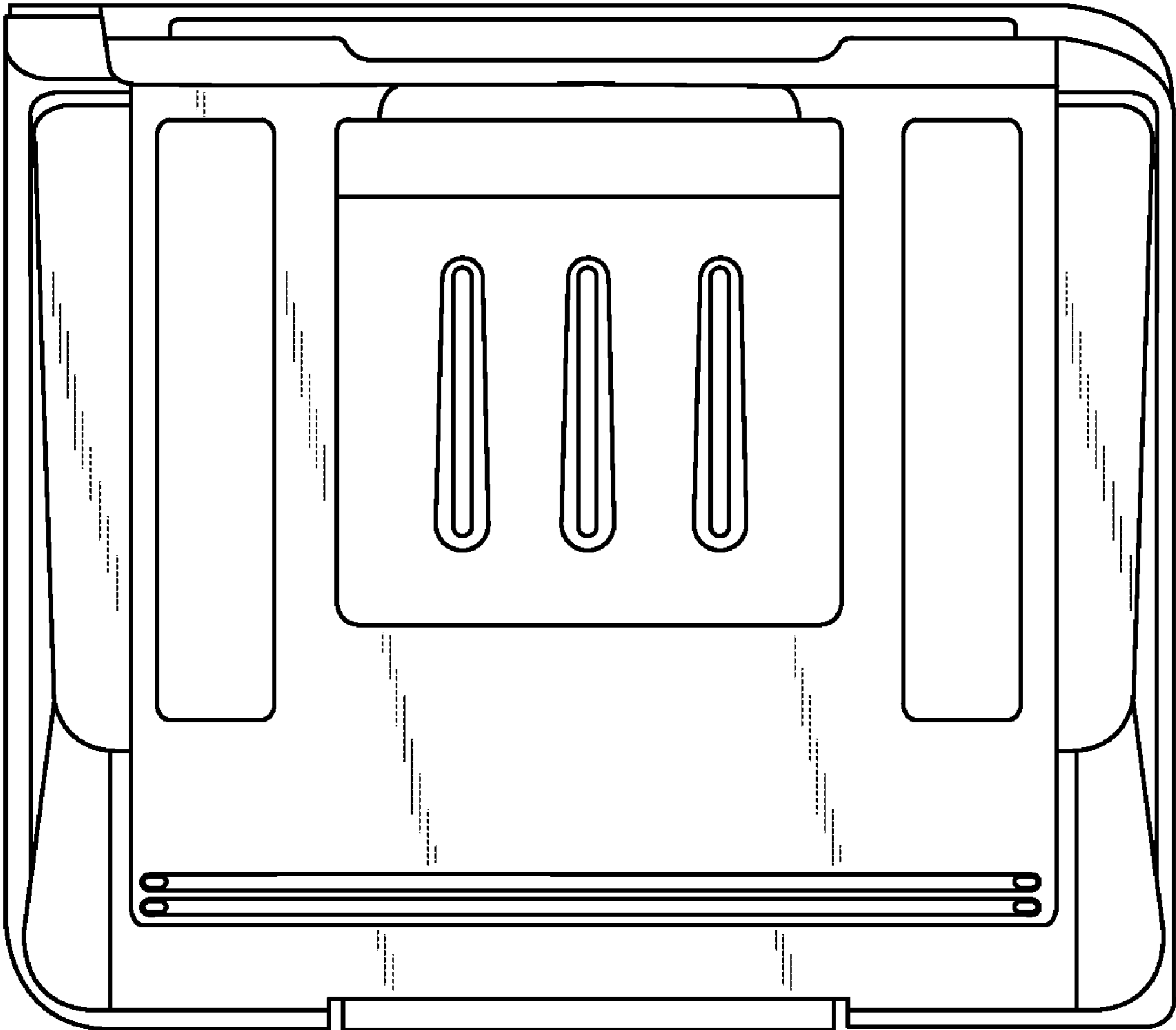


Fig. 5

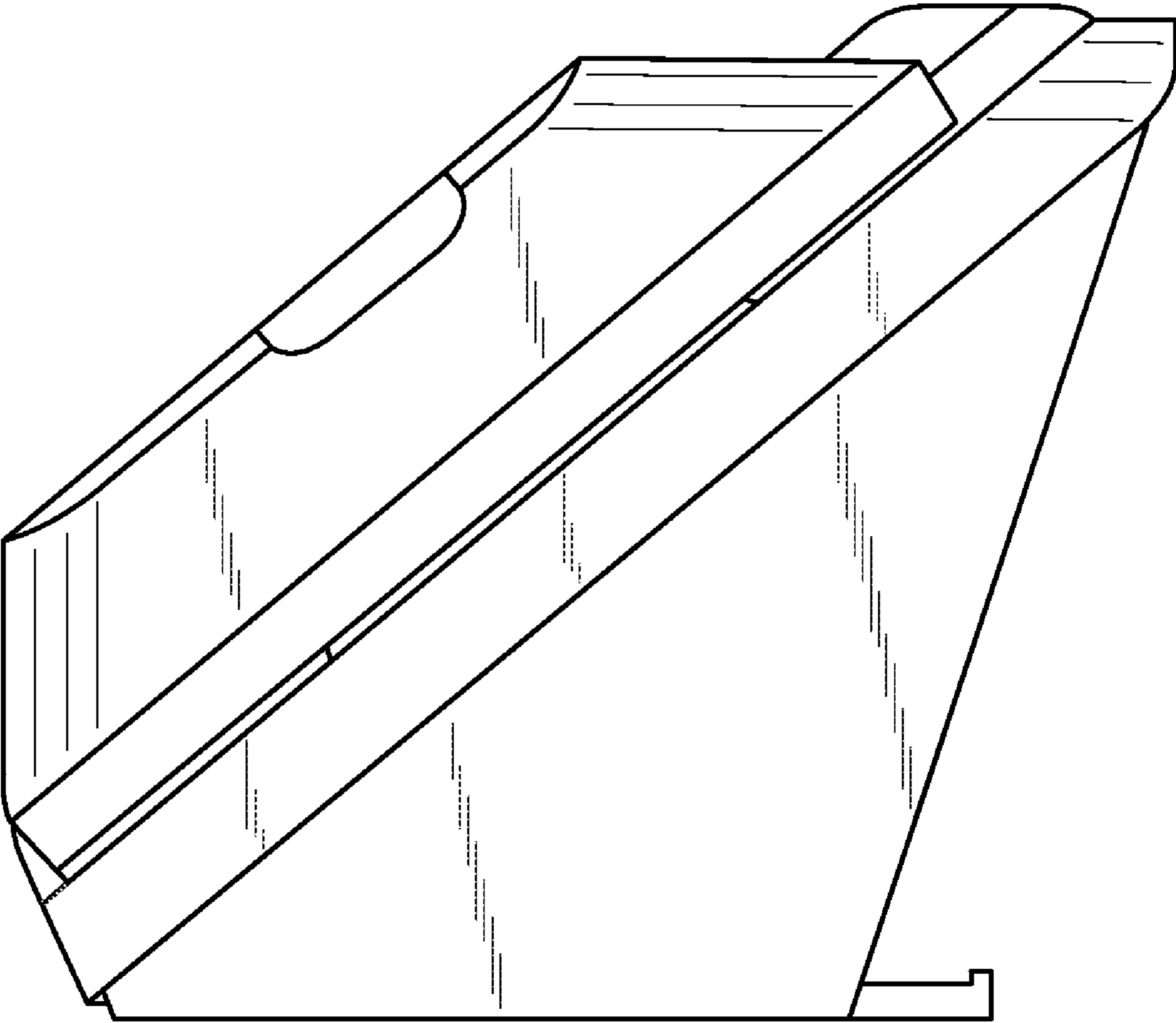


Fig. 6

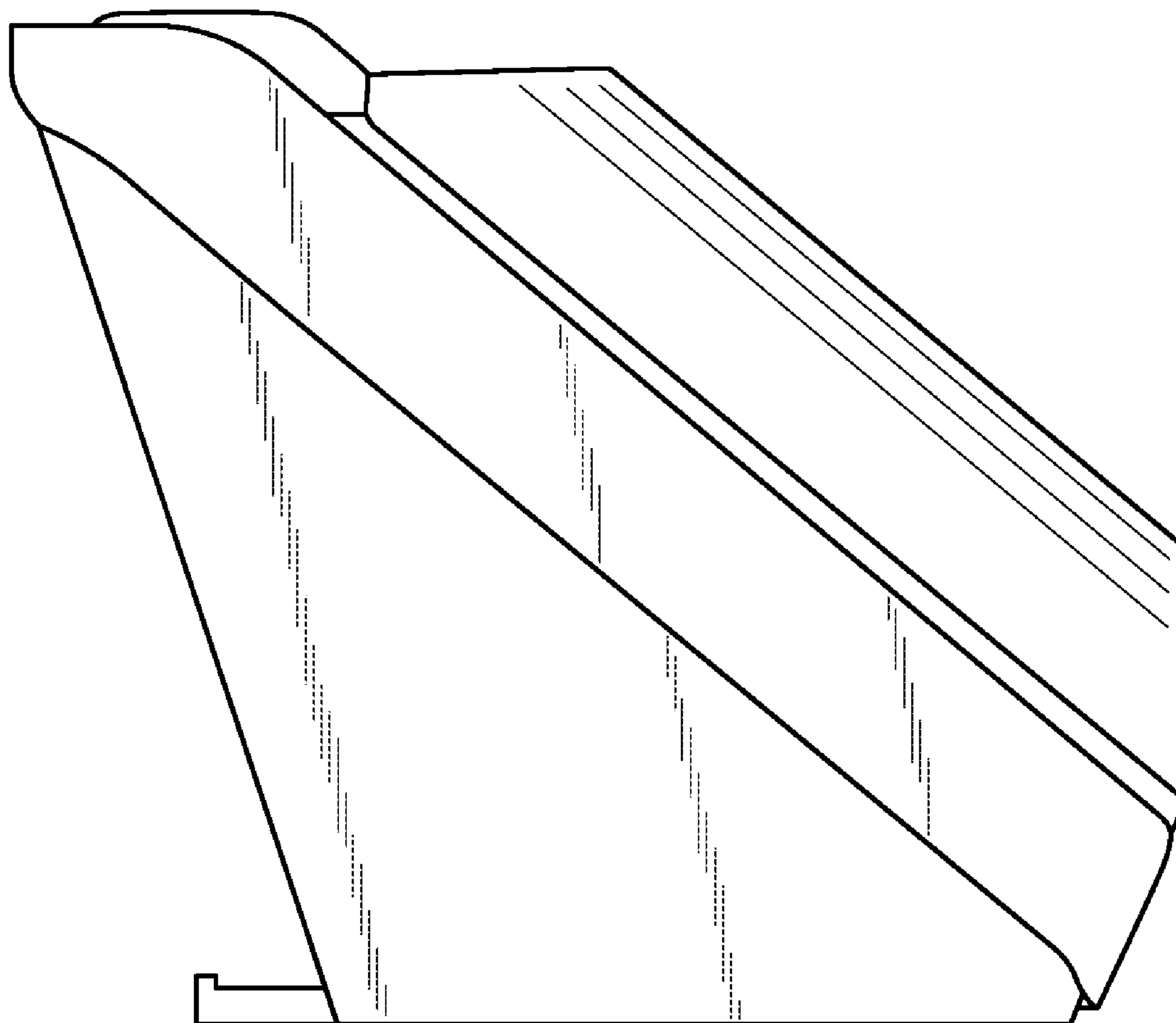


Fig. 7