



US00D631044S

(12) **United States Design Patent**
Chiu

(10) **Patent No.:** **US D631,044 S**
(45) **Date of Patent:** **** Jan. 18, 2011**

(54) **DISPLAY**

(75) Inventor: **Yi-Chung Chiu**, Taoyuan County (TW)

(73) Assignee: **Hannspre, Inc.**, Taipei County (TW)

(**) Term: **14 Years**

(21) Appl. No.: **29/365,384**

(22) Filed: **Jul. 8, 2010**

(51) **LOC (9) Cl.** **14-02**

(52) **U.S. Cl.** **D14/371; D14/315**

(58) **Field of Classification Search** D14/371-375,
D14/126-129, 345, 315, 318, 336, 337; 341/12;
345/104, 156, 168, 173, 87, 901-905; 348/180,
348/184, 373, 739; 349/1, 2, 58, 62; 248/917-924;
361/679.04; D6/308

See application file for complete search history.

(56) **References Cited**

U.S. PATENT DOCUMENTS

D307,004 S *	4/1990	Azima	D14/337
D349,489 S *	8/1994	Wang	D14/375
D366,280 S *	1/1996	Henderson	D19/52
D485,270 S *	1/2004	Peng	D14/371
D490,809 S *	6/2004	Wu et al.	D14/371
D520,504 S *	5/2006	Martin	D14/371

D567,237 S *	4/2008	Kim	D14/336
D605,703 S *	12/2009	Chen et al.	D19/88
D614,617 S *	4/2010	Pepper et al.	D14/336
2004/0212602 A1 *	10/2004	Nako et al.	345/173

* cited by examiner

Primary Examiner—Freda S Nunn

(74) *Attorney, Agent, or Firm*—Muncy, Geissler, Olds & Lowe, PLLC

(57) **CLAIM**

The ornamental design for a display, as shown and described.

DESCRIPTION

FIG. 1 is a front perspective view of a display showing the design;

FIG. 2 is a front view thereof;

FIG. 3 is a rear view thereof;

FIG. 4 is a left side view thereof;

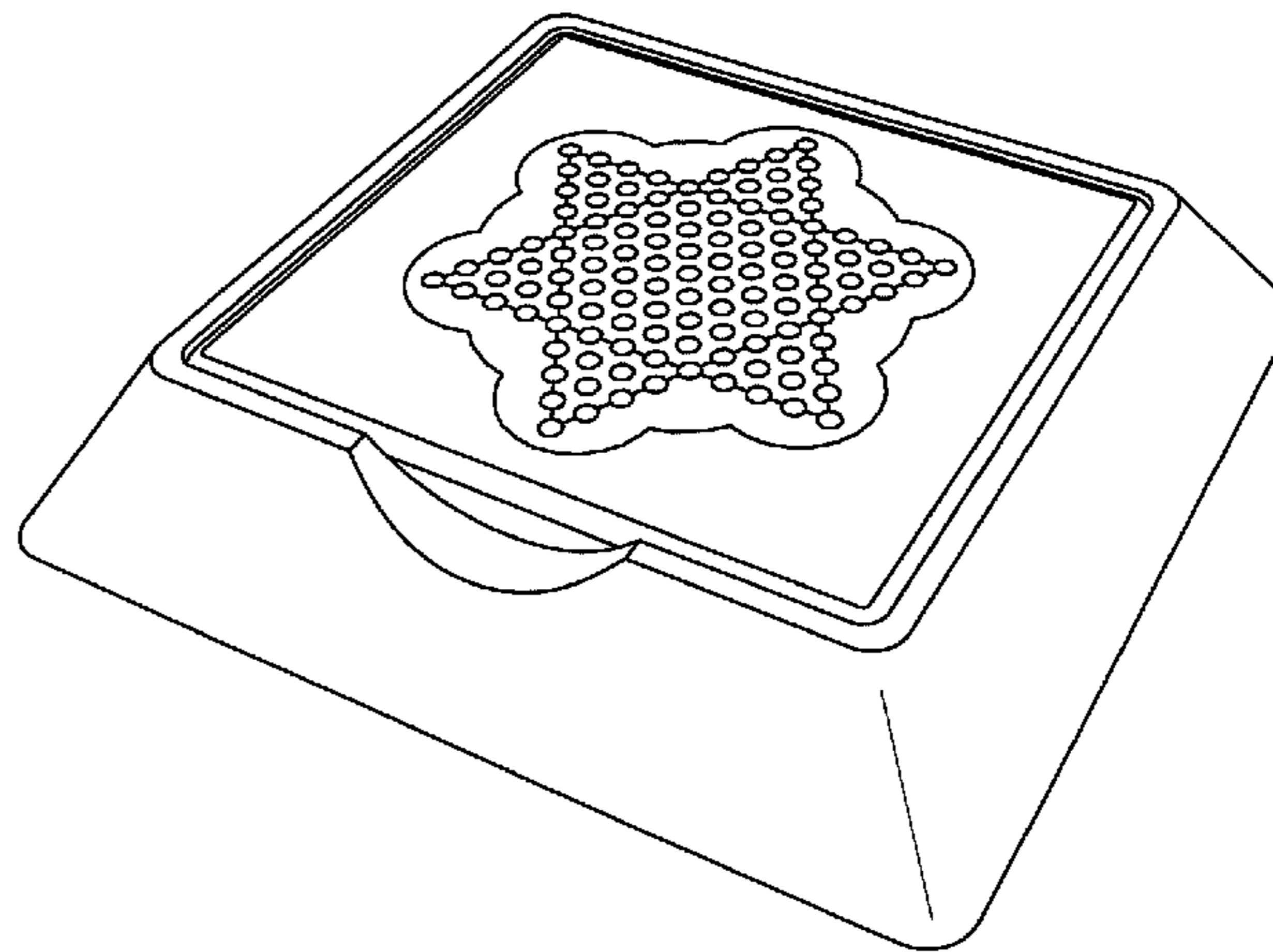
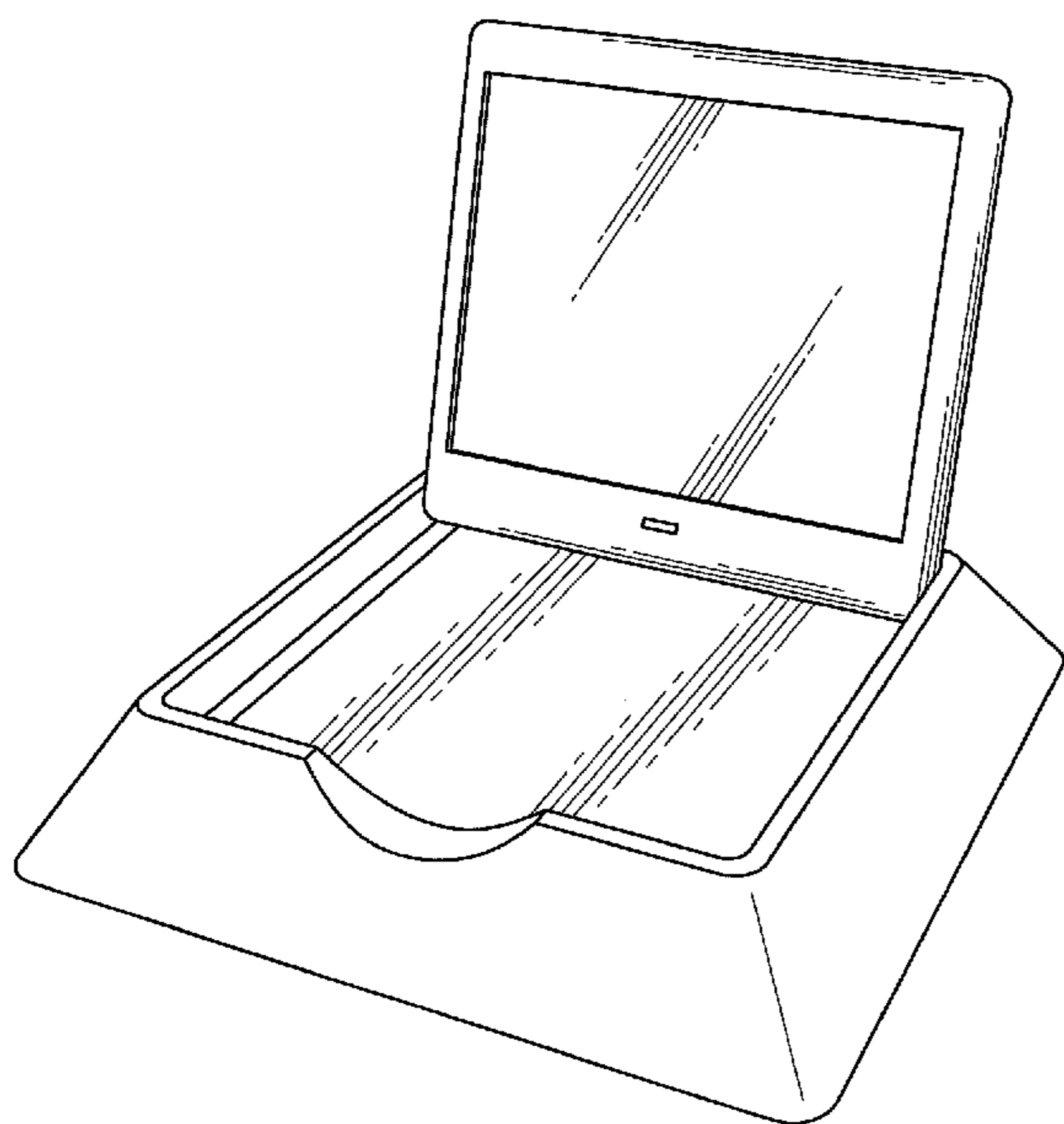
FIG. 5 is a right side view thereof;

FIG. 6 is a top view thereof;

FIG. 7 is a bottom view thereof; and,

FIG. 8 is a view showing the closed status.

1 Claim, 8 Drawing Sheets



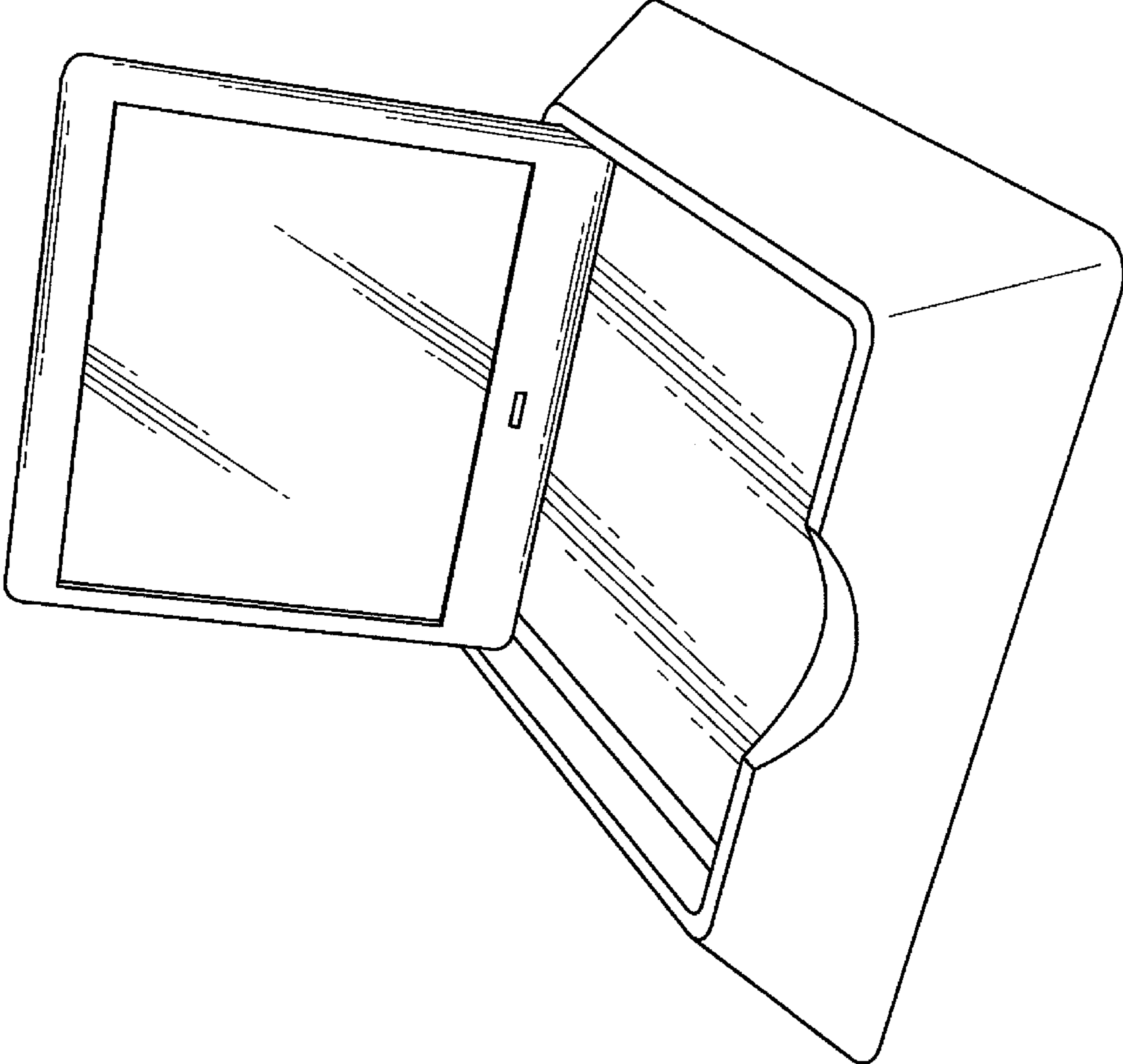


Fig. 1

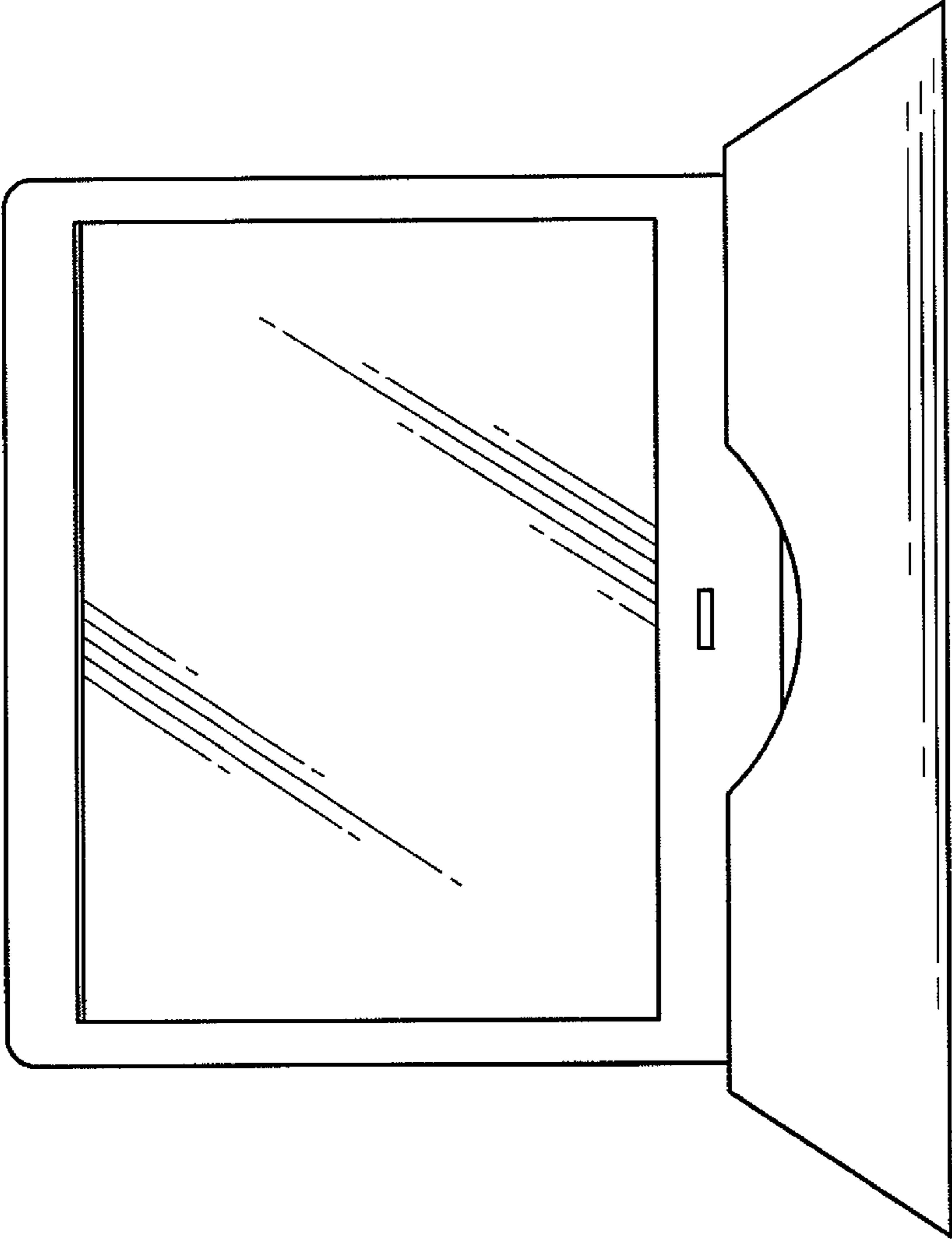


Fig. 2

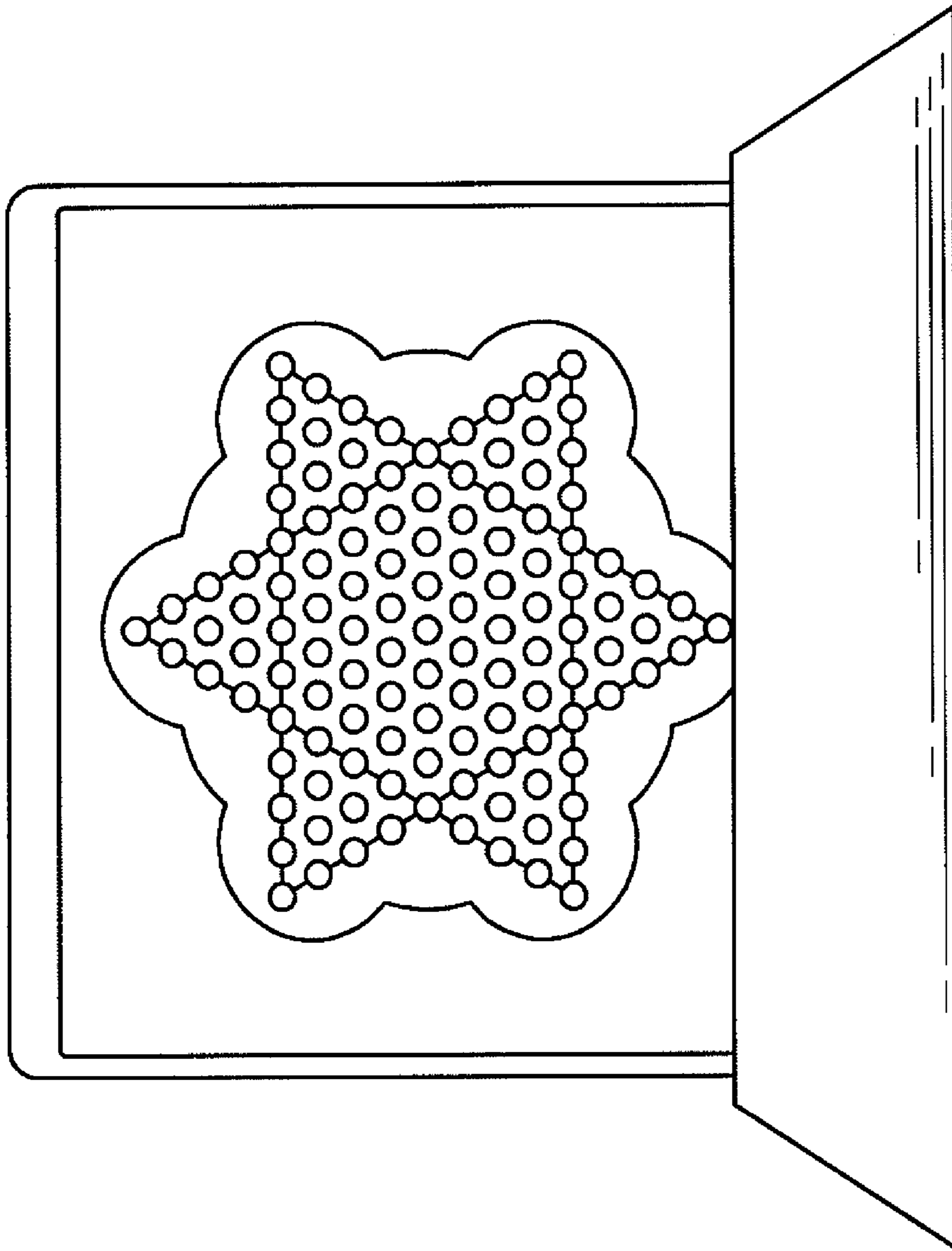


Fig. 3

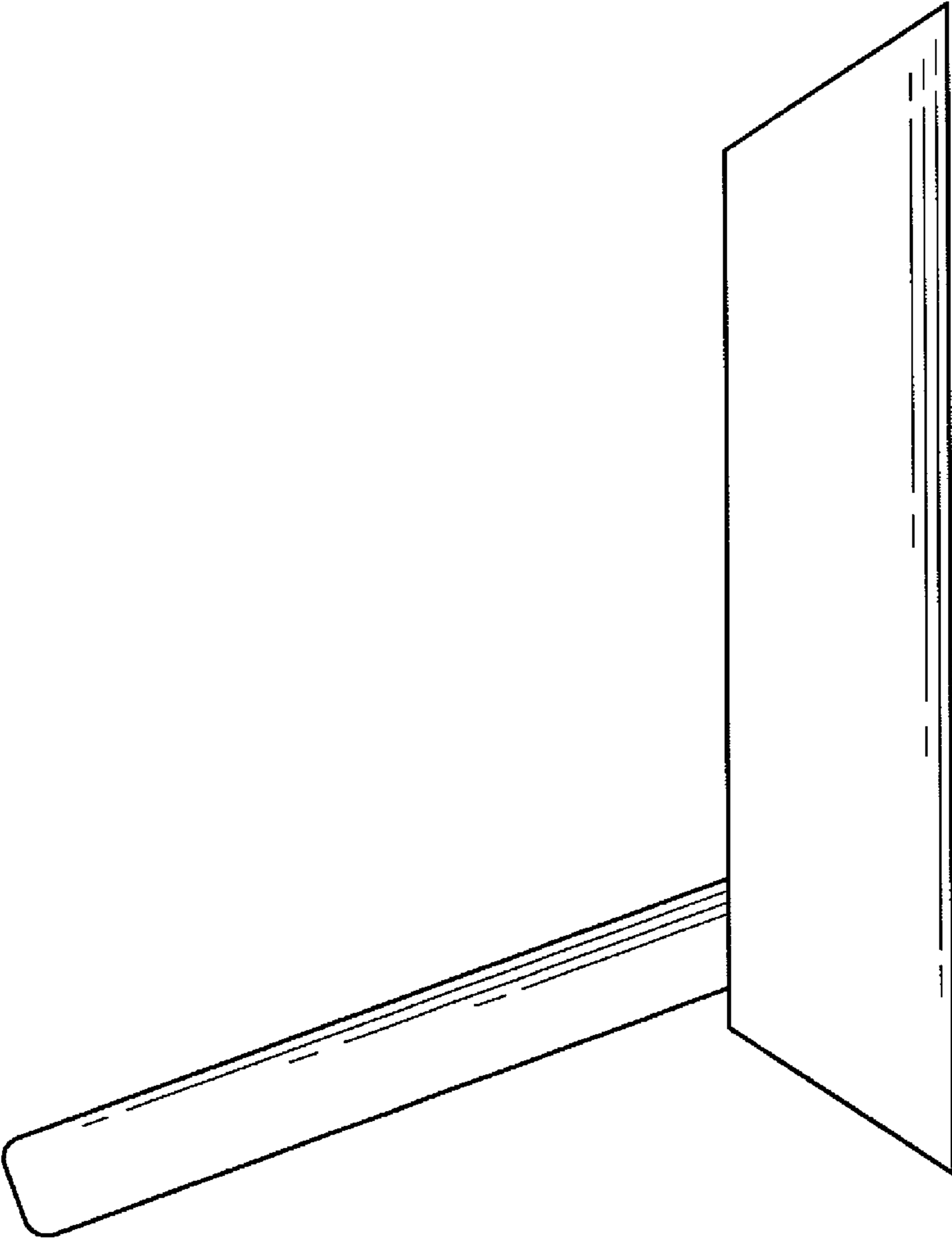


Fig. 4

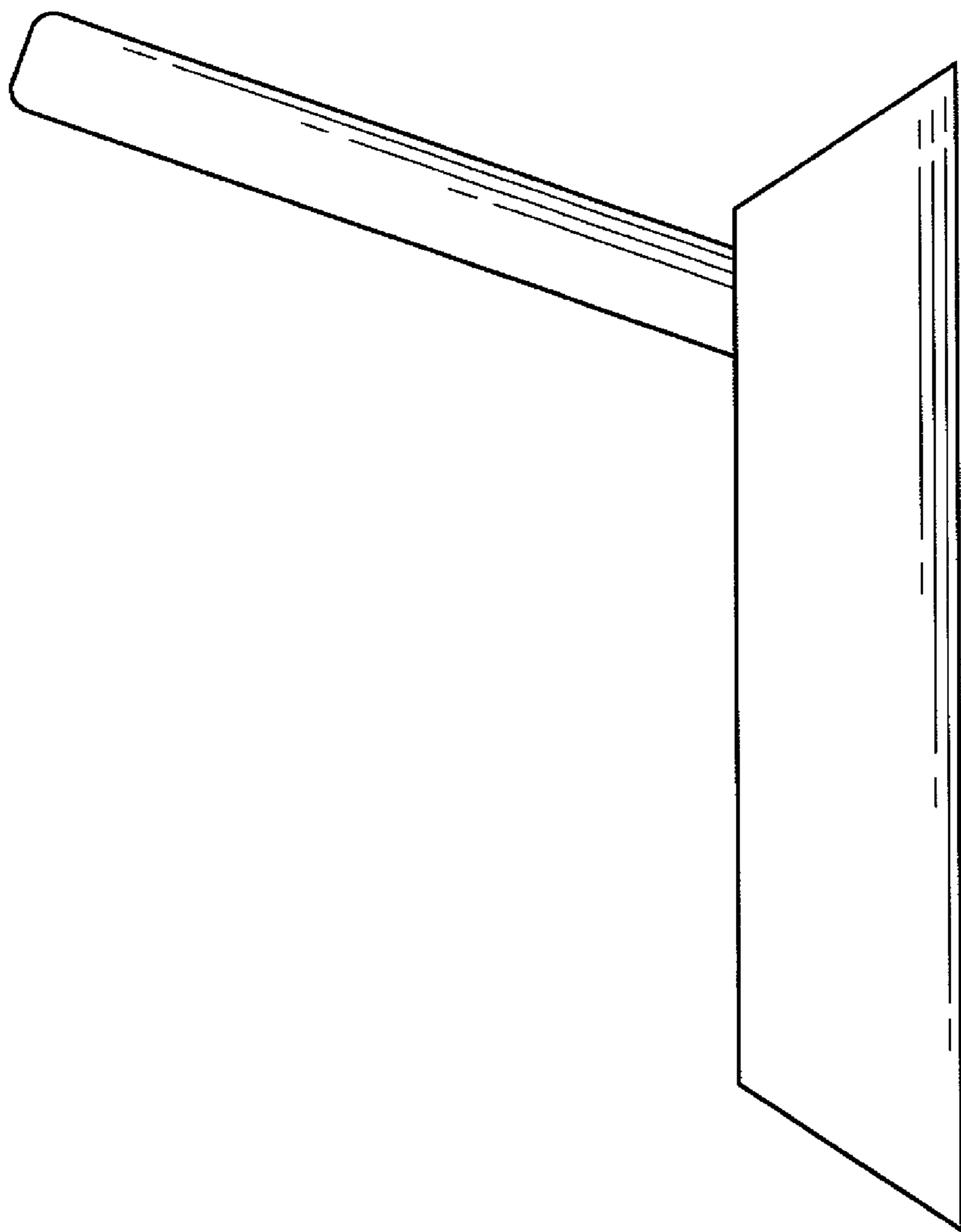


Fig. 5

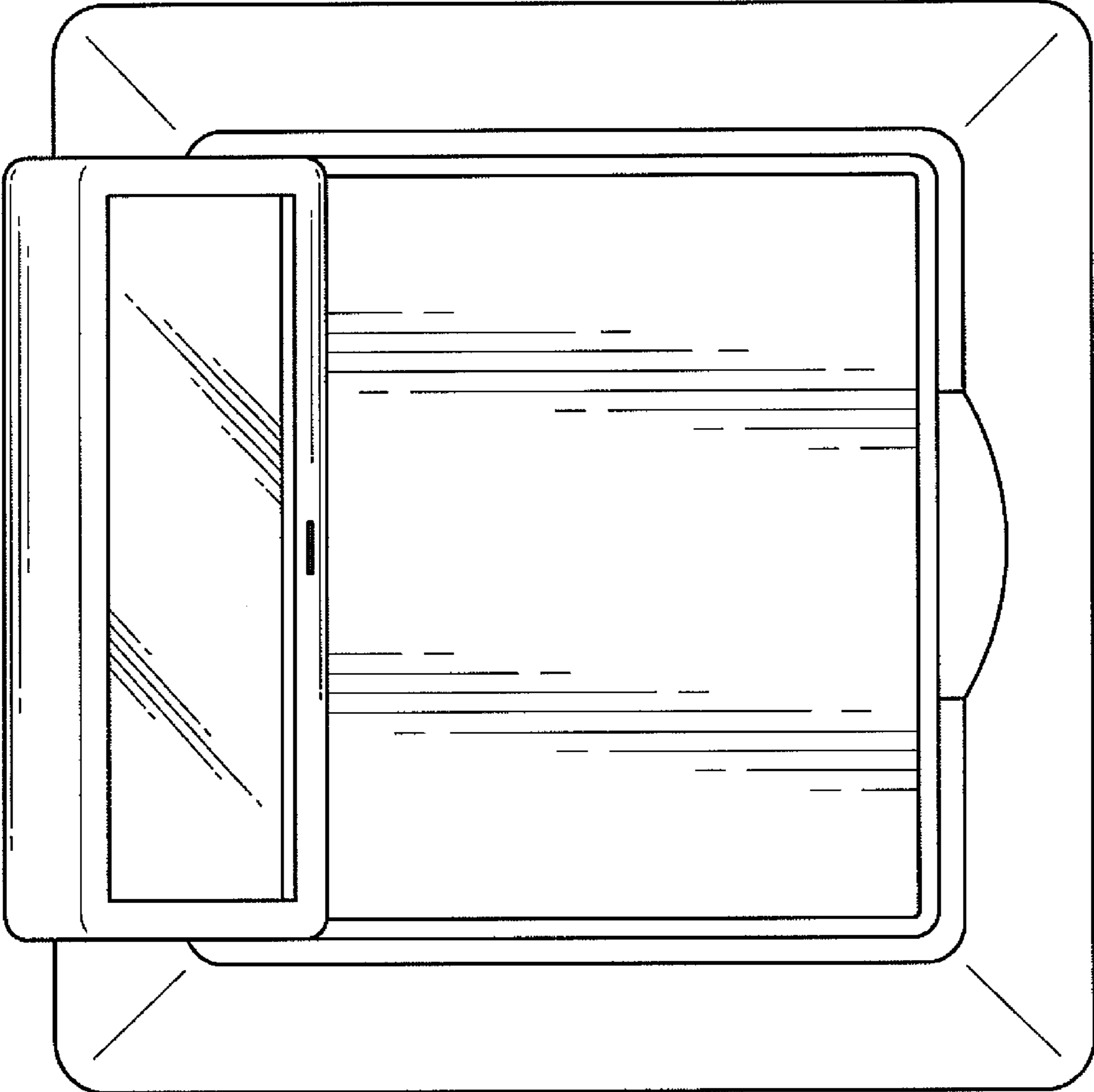


Fig. 6

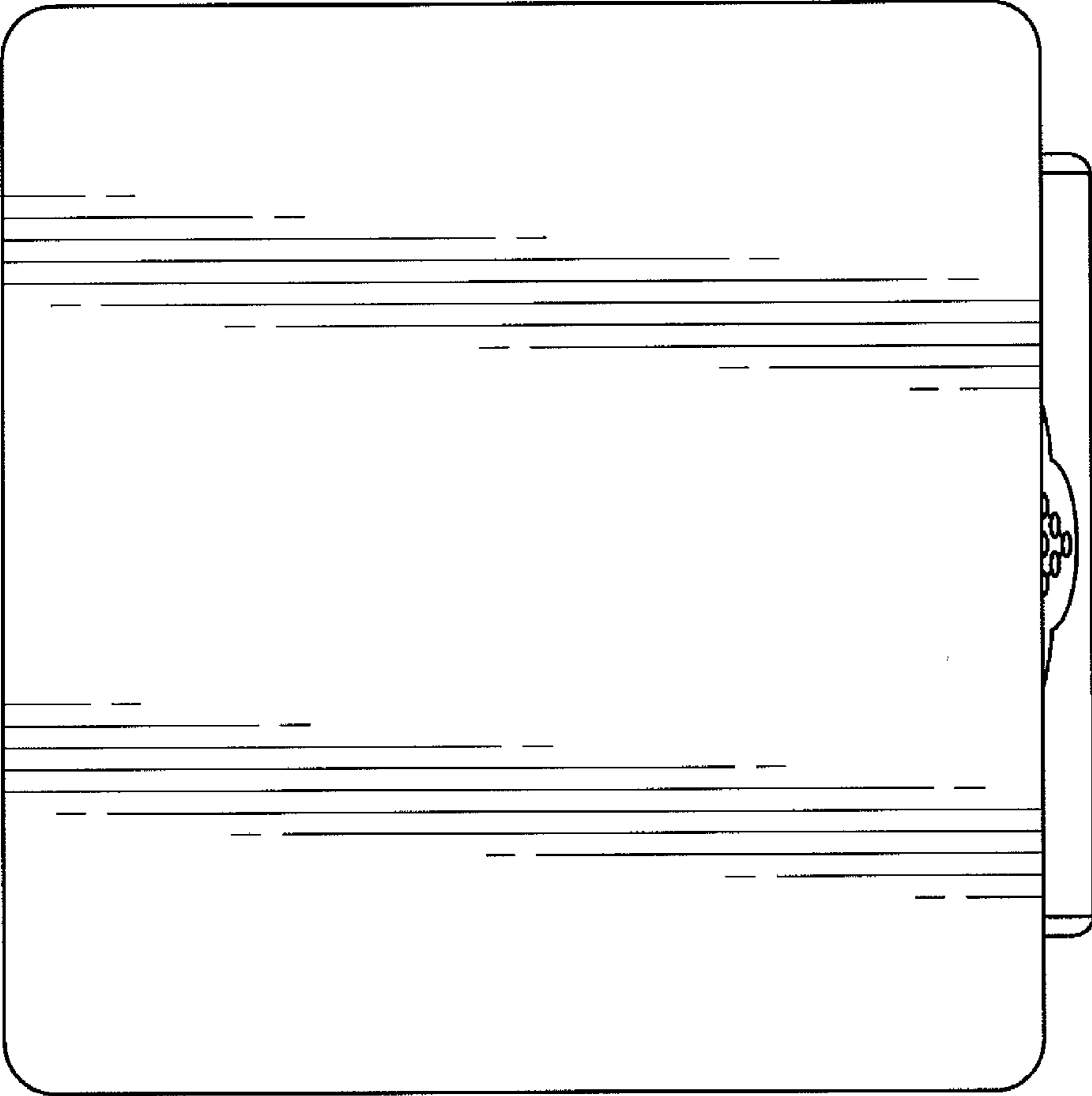


Fig. 7

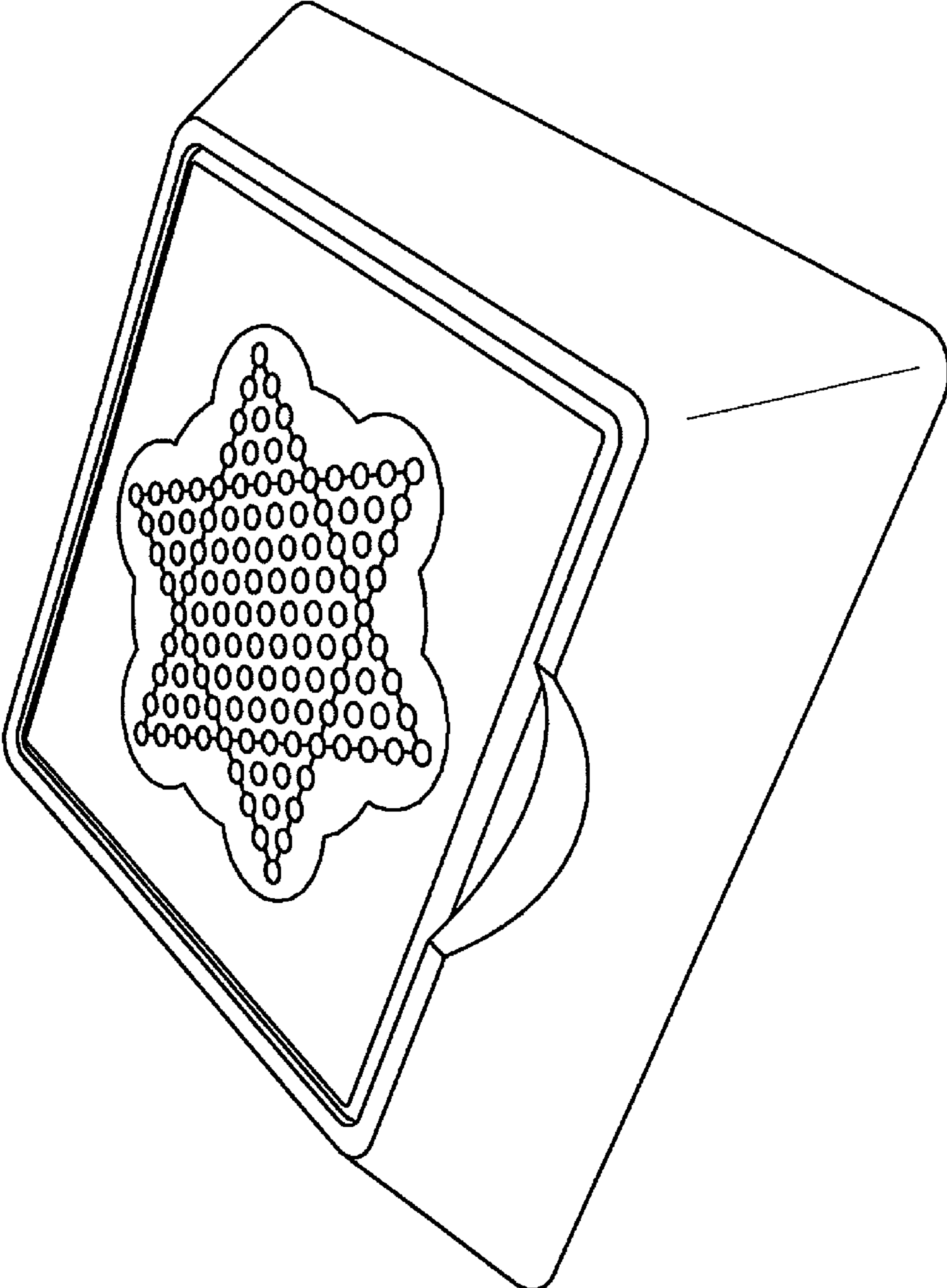


Fig. 8