



US00D631042S

(12) **United States Design Patent**
Chen

(10) **Patent No.:** **US D631,042 S**
(45) **Date of Patent:** **** Jan. 18, 2011**

(54) **ALL IN ONE COMPUTER**

(75) Inventor: **Yun-Lung Chen**, Taipei Hsien (TW)

(73) Assignee: **Hon Hai Precision Industry Co., Ltd.**,
Tu-Cheng, Taipei Hsien (TW)

(**) Term: **14 Years**

(21) Appl. No.: **29/368,982**

(22) Filed: **Aug. 31, 2010**

(30) **Foreign Application Priority Data**

Jun. 17, 2010 (CN) 2010 3 0104754

(51) **LOC (9) Cl.** **14-02**

(52) **U.S. Cl.** **D14/337; D14/371**

(58) **Field of Classification Search** D14/371-376,
D14/125-129, 336, 337; 248/917-924, 122.1,
248/278.1; 341/12; 345/104, 156, 173, 174,
345/901-905; 348/180, 184, 325, 739; 361/679.08,
361/679.23; 349/1, 2, 11, 58; 715/761
See application file for complete search history.

(56) **References Cited**

U.S. PATENT DOCUMENTS

6,015,120 A * 1/2000 Sweere et al. 248/123.11
6,262,885 B1 * 7/2001 Emma et al. 361/679.05
6,680,843 B2 * 1/2004 Farrow et al. 361/679.02
D537,079 S * 2/2007 Park D14/375

D541,278 S * 4/2007 Hsu et al. D14/375
7,258,311 B2 * 8/2007 Yen et al. 248/133
D554,639 S * 11/2007 Kim et al. D14/375
D578,087 S * 10/2008 Yokota D14/126
D592,621 S * 5/2009 Han D14/126
2006/0237599 A1 * 10/2006 Ternus et al. 248/176.1

* cited by examiner

Primary Examiner—Freda S Nunn

(74) *Attorney, Agent, or Firm*—D. Austin Bonderer

(57) **CLAIM**

The ornamental design for an all in one computer, as shown and described.

DESCRIPTION

FIG. 1 is a perspective view of an all in one computer showing my new design;

FIG. 2 is a front elevational view thereof;

FIG. 3 is a rear elevational view thereof;

FIG. 4 is a left side elevational view thereof;

FIG. 5 is a right side elevational view thereof;

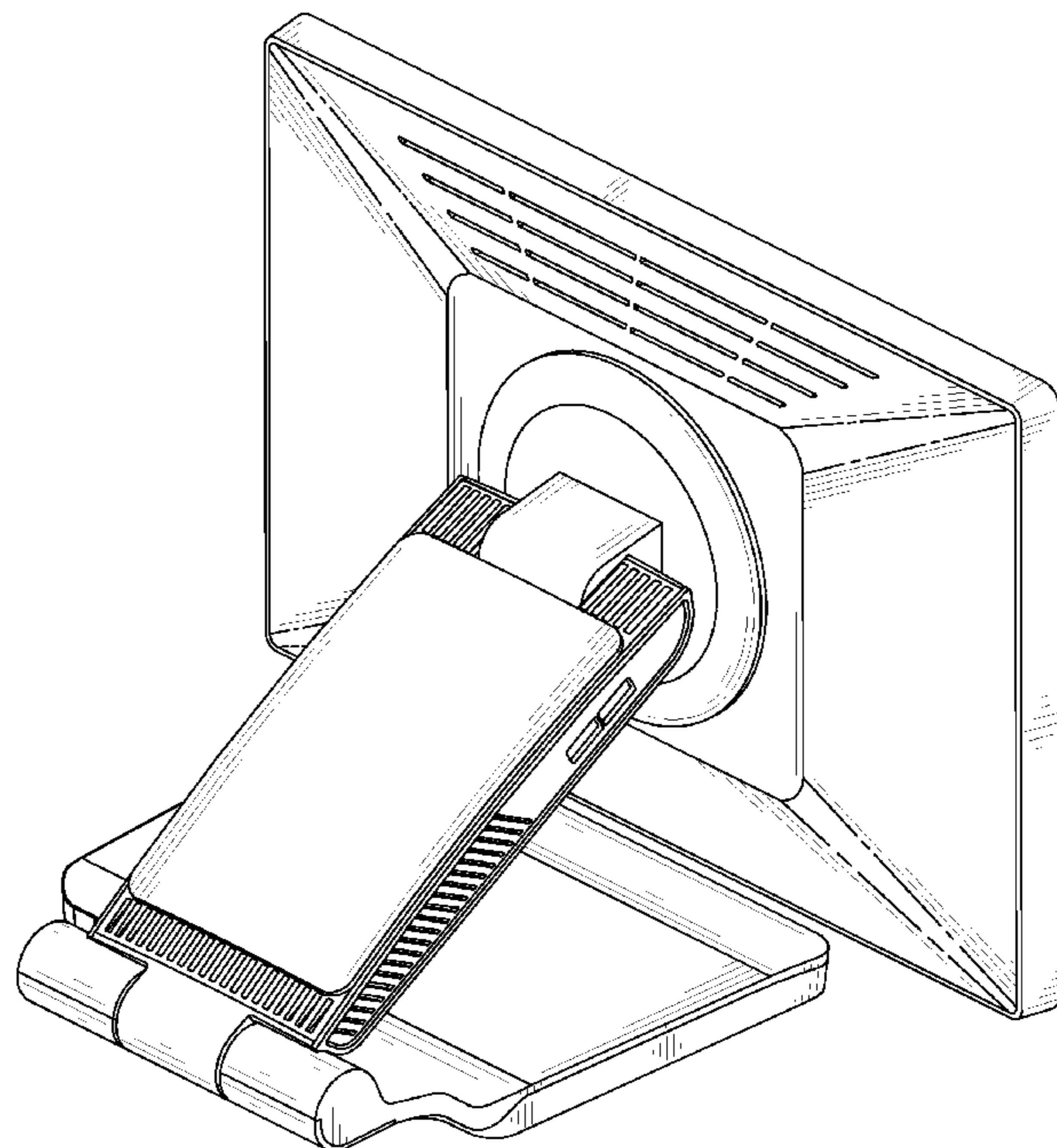
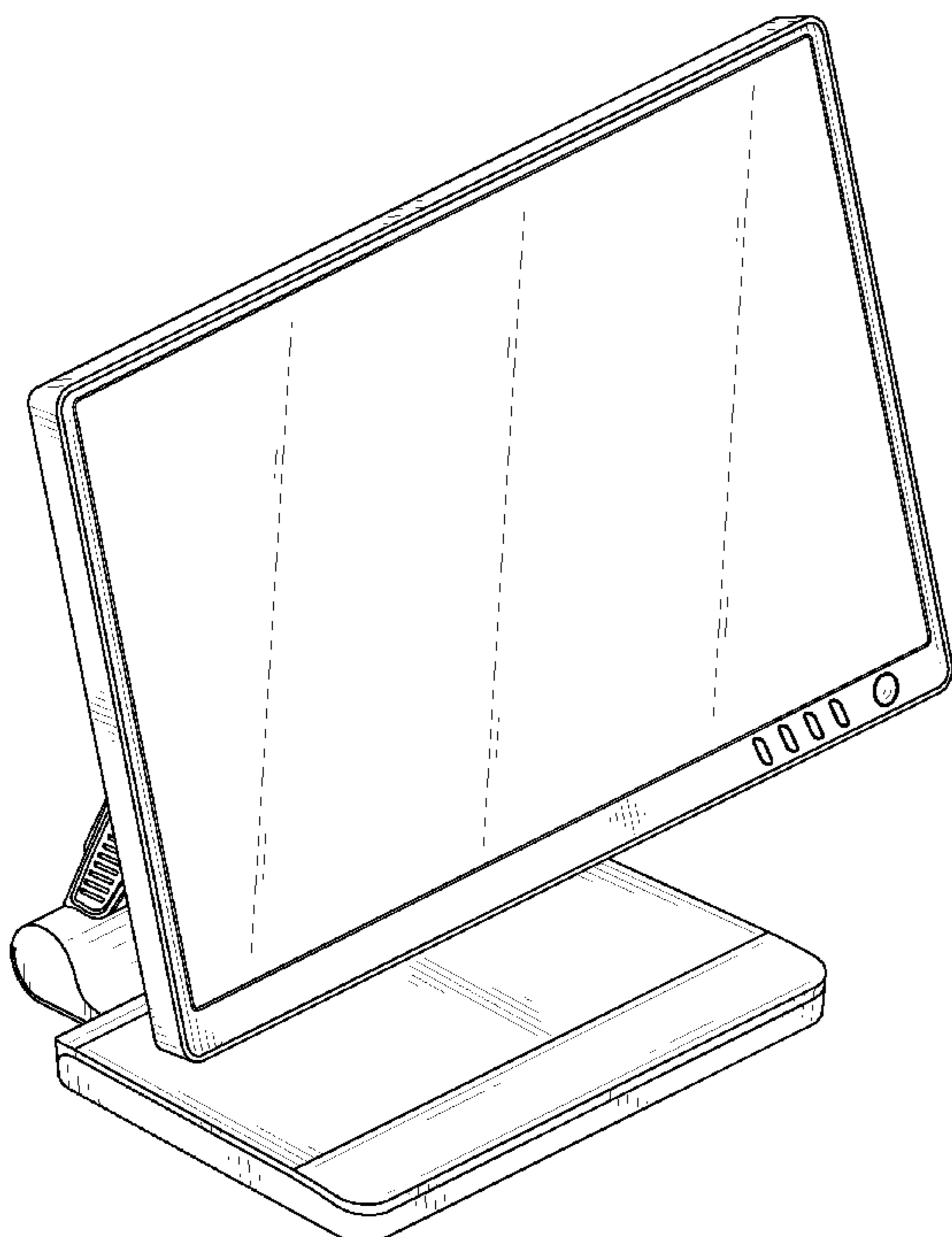
FIG. 6 is a top plan view thereof;

FIG. 7 is a bottom plan view thereof;

FIG. 8 is a perspective view thereof; and,

FIG. 9 is a perspective view thereof shown in an alternate folded position for use.

1 Claim, 9 Drawing Sheets



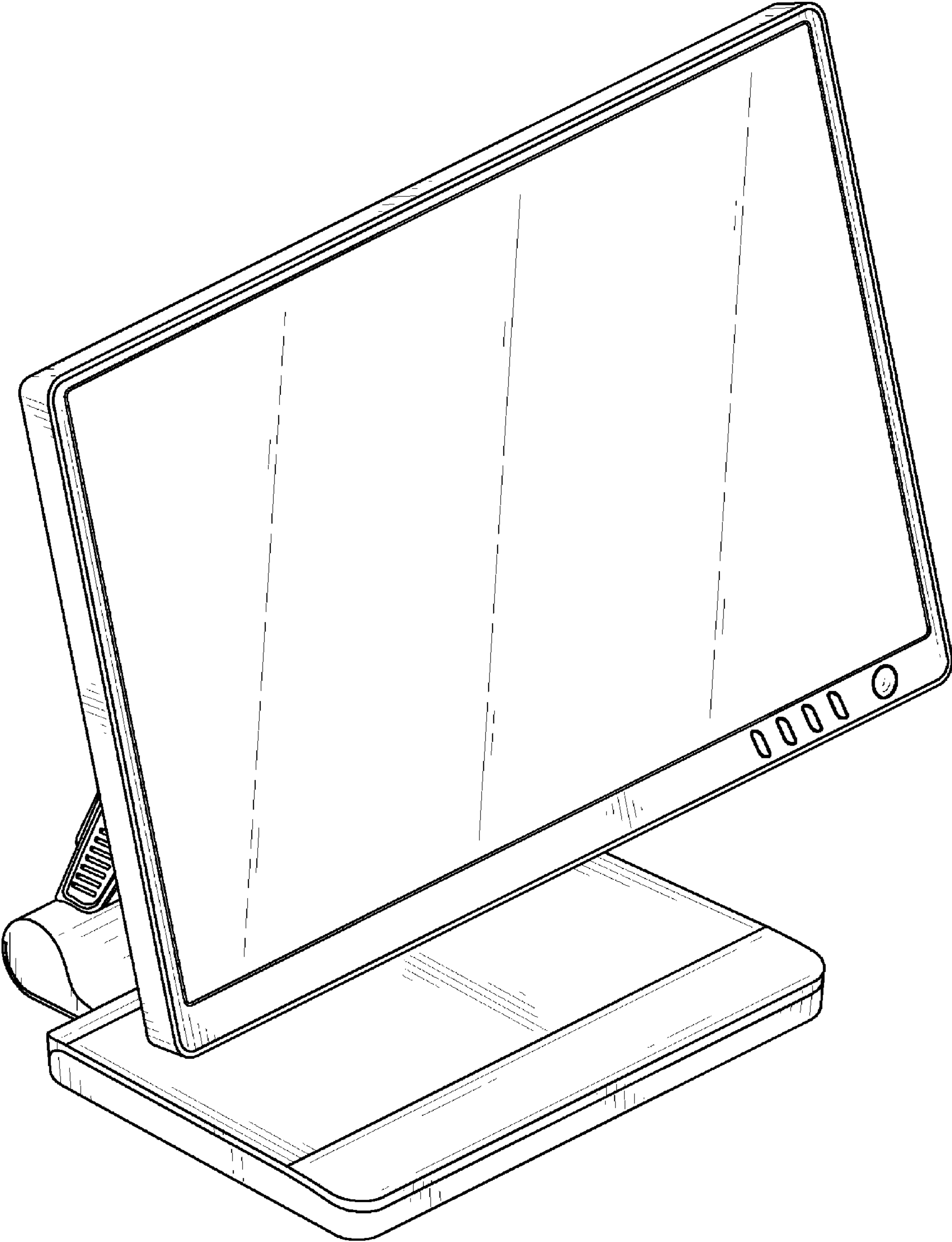


FIG. 1

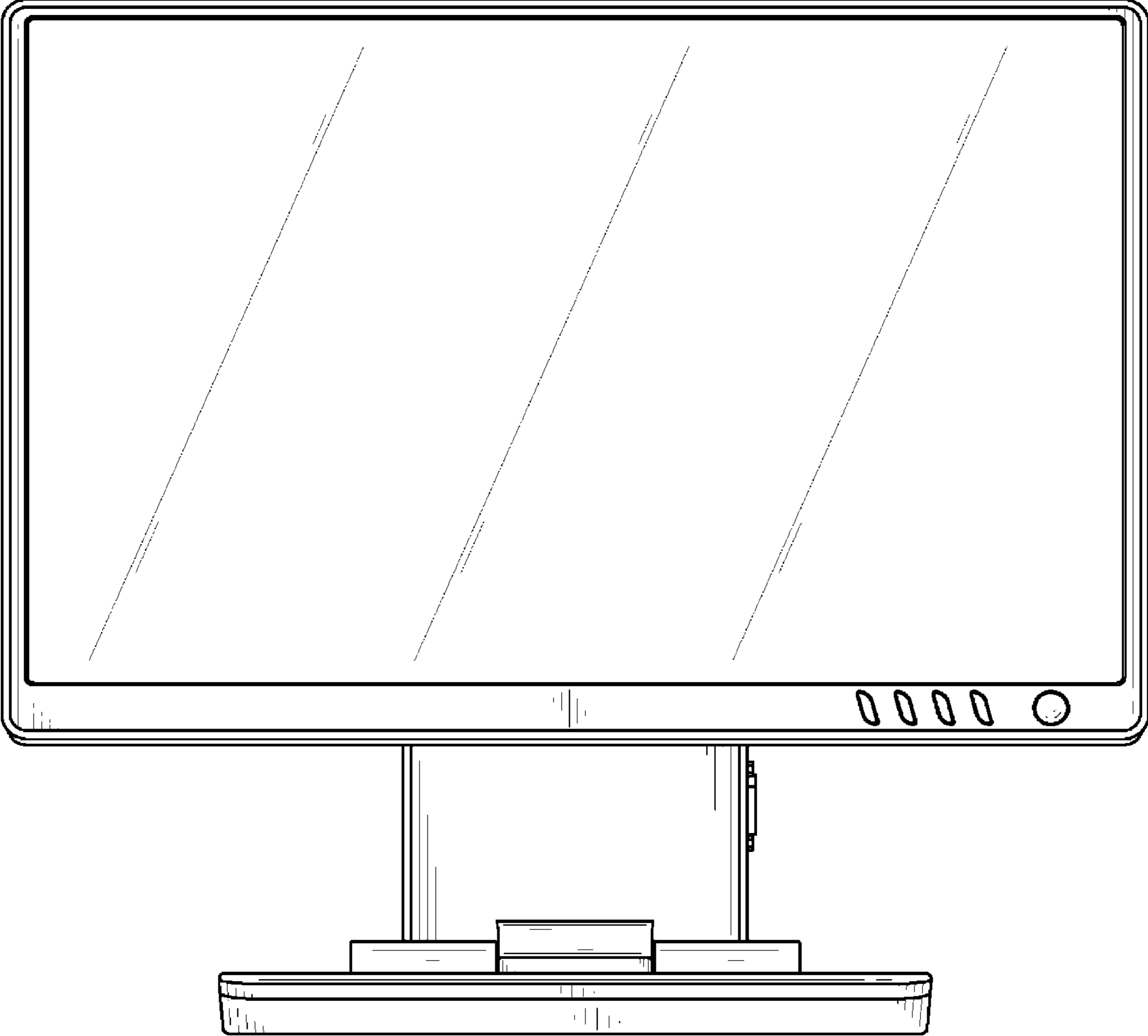


FIG. 2

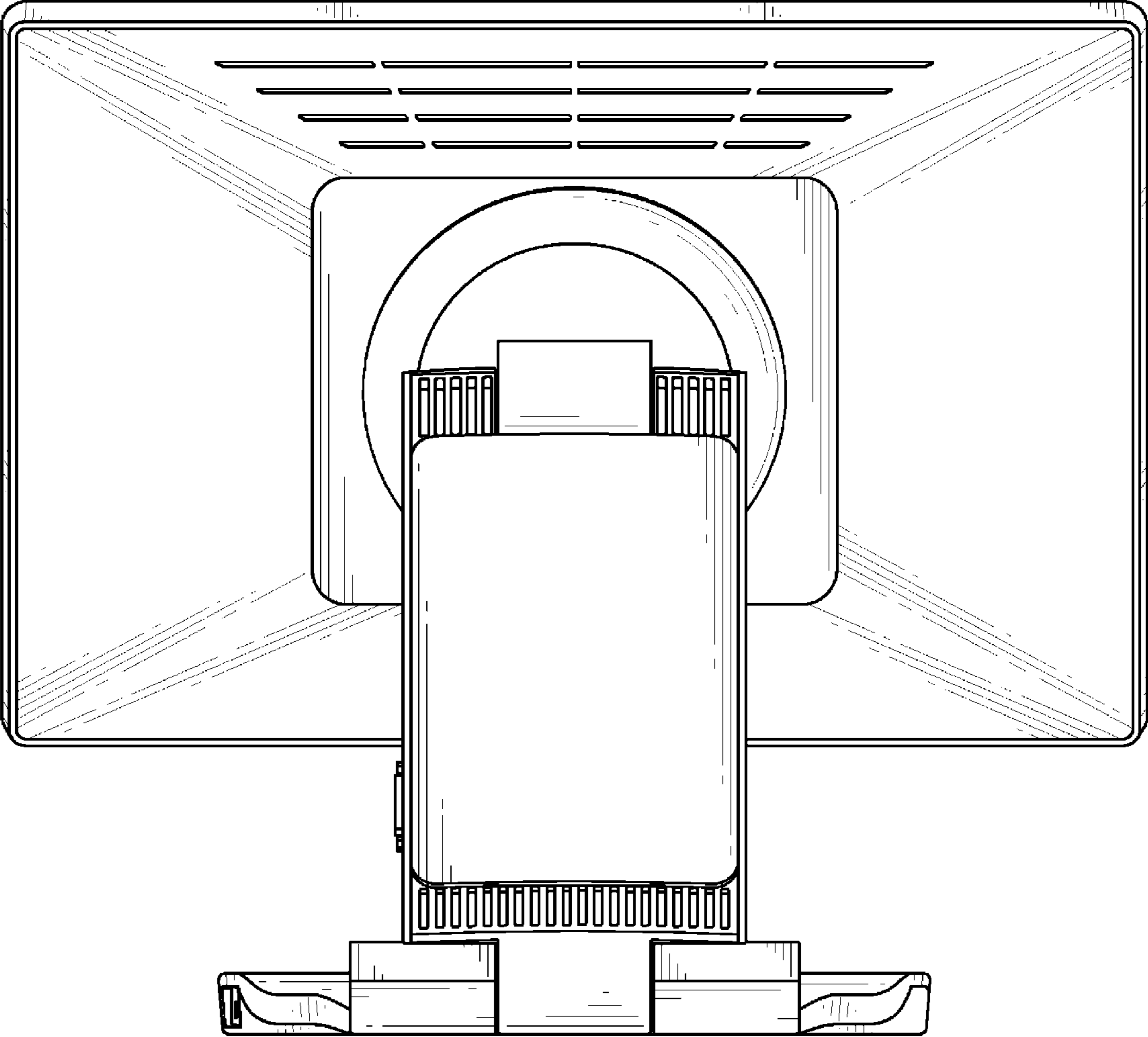


FIG. 3

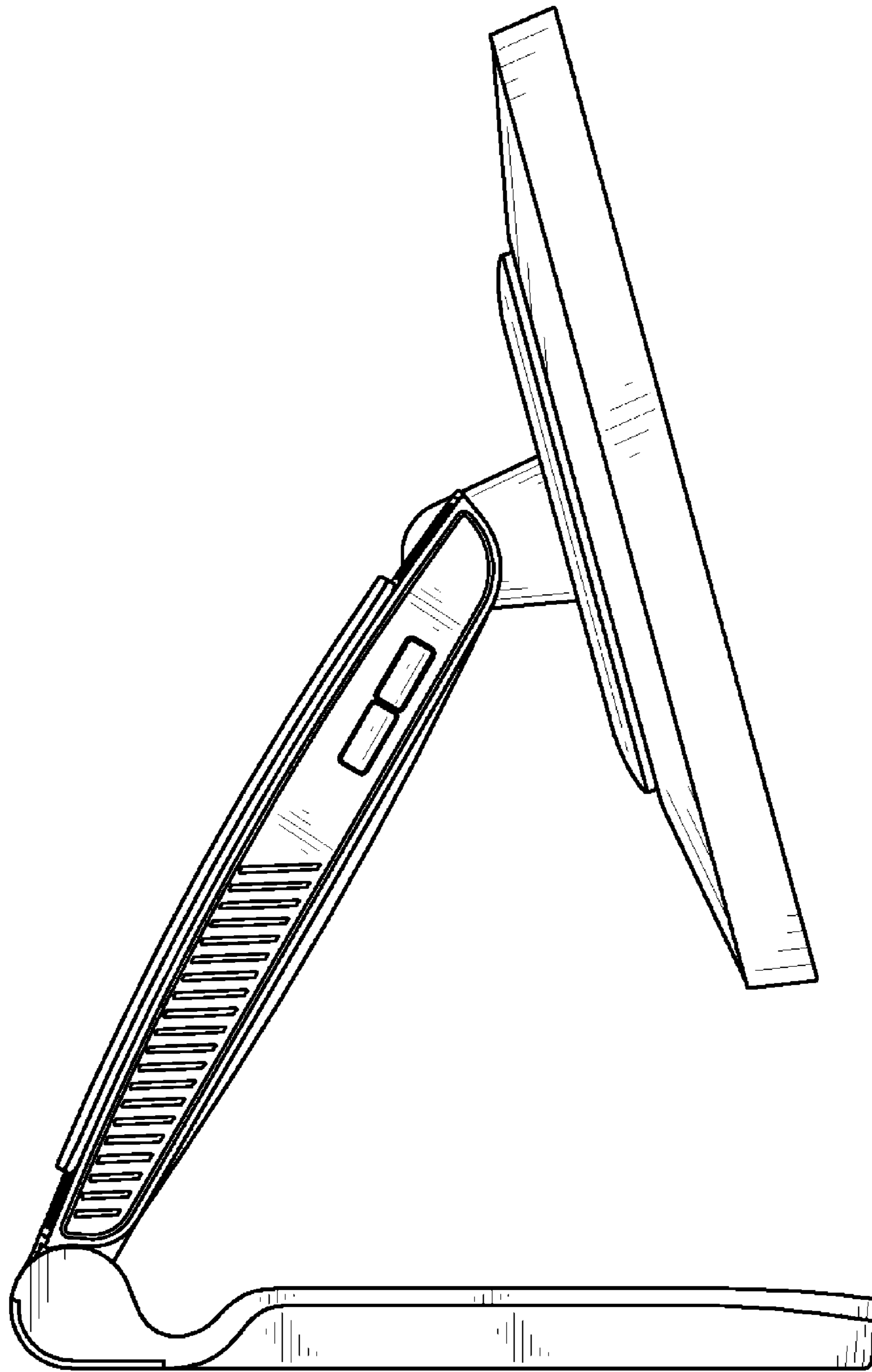


FIG. 4

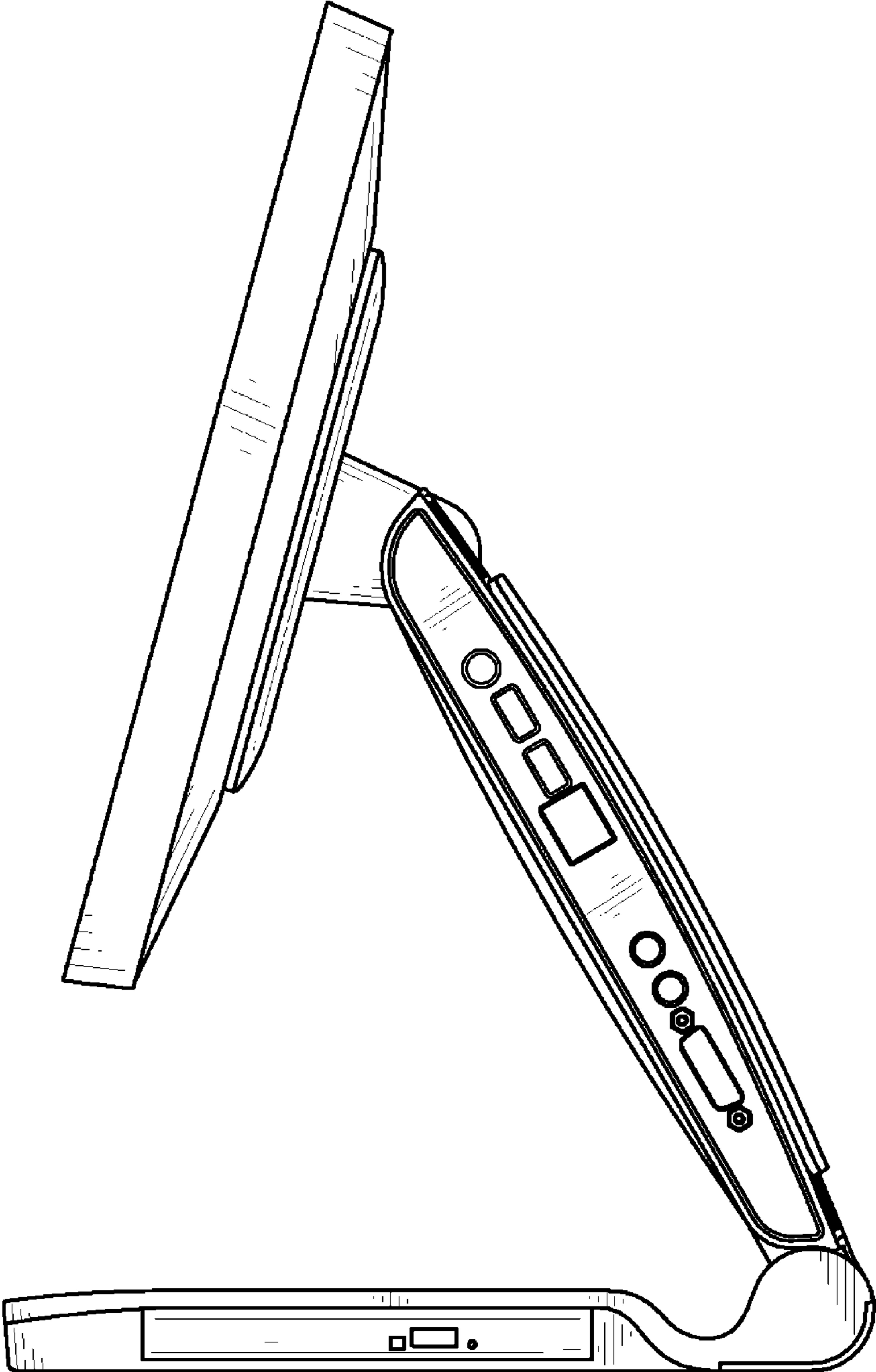


FIG. 5

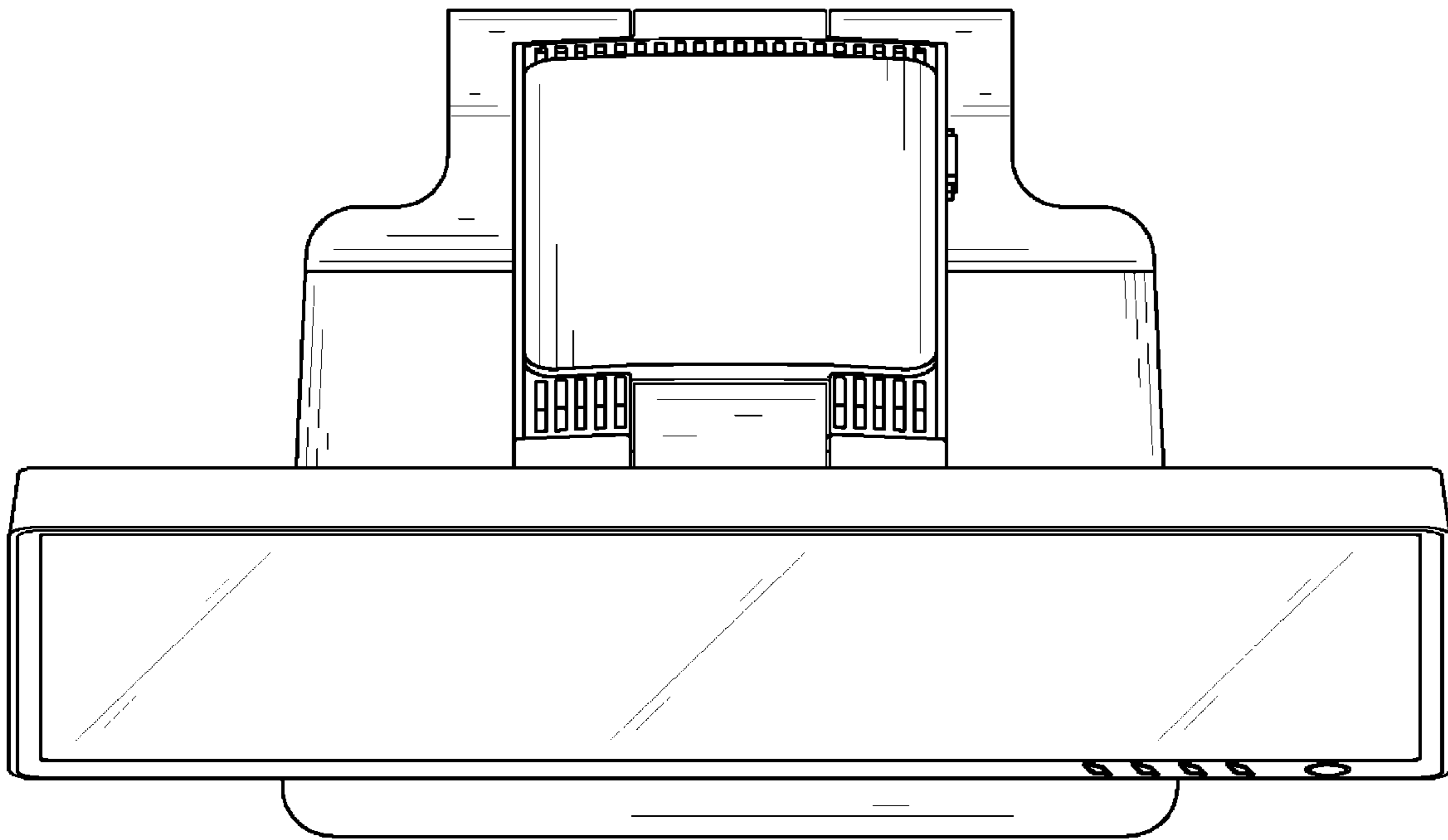


FIG. 6

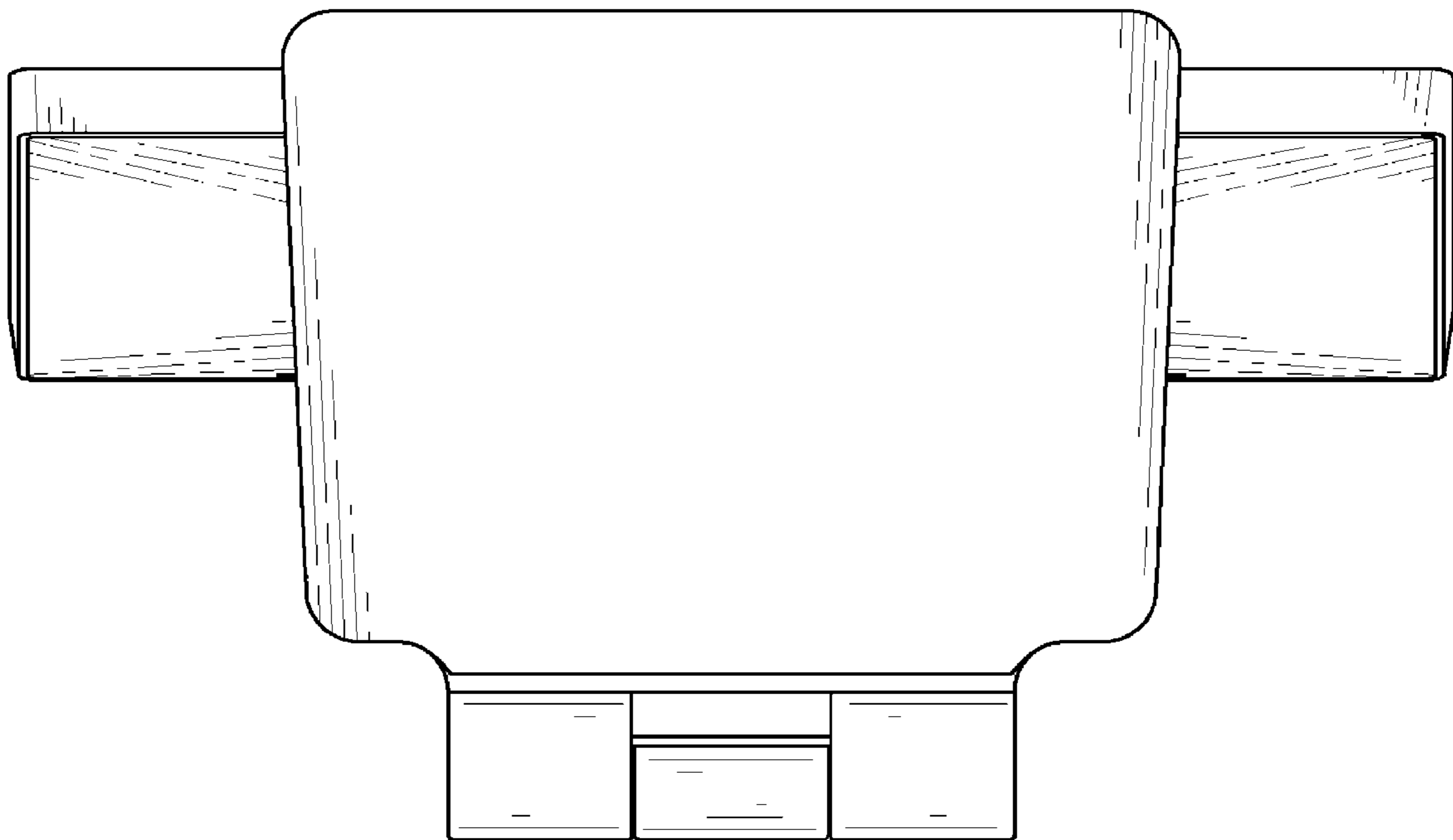


FIG. 7

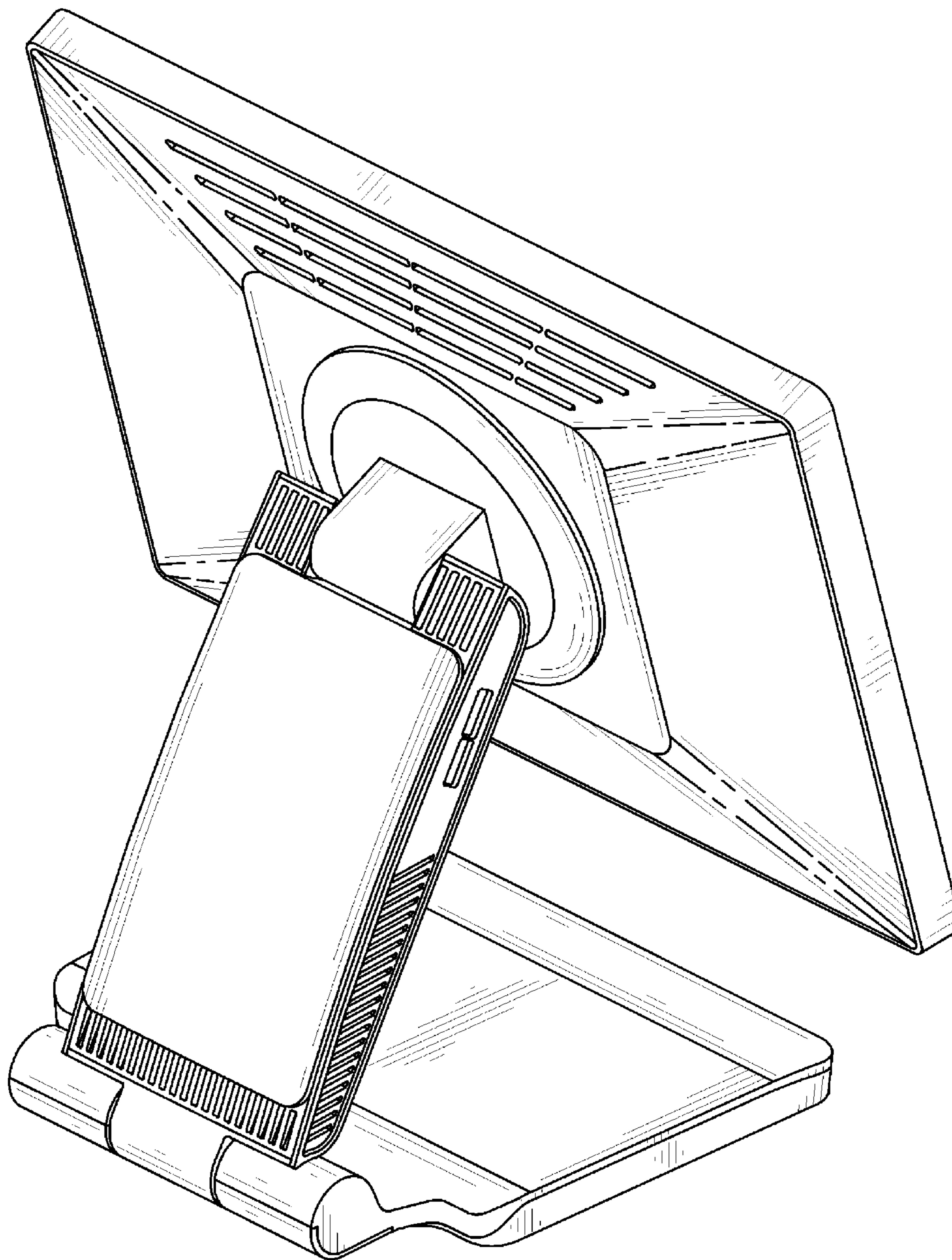


FIG. 8

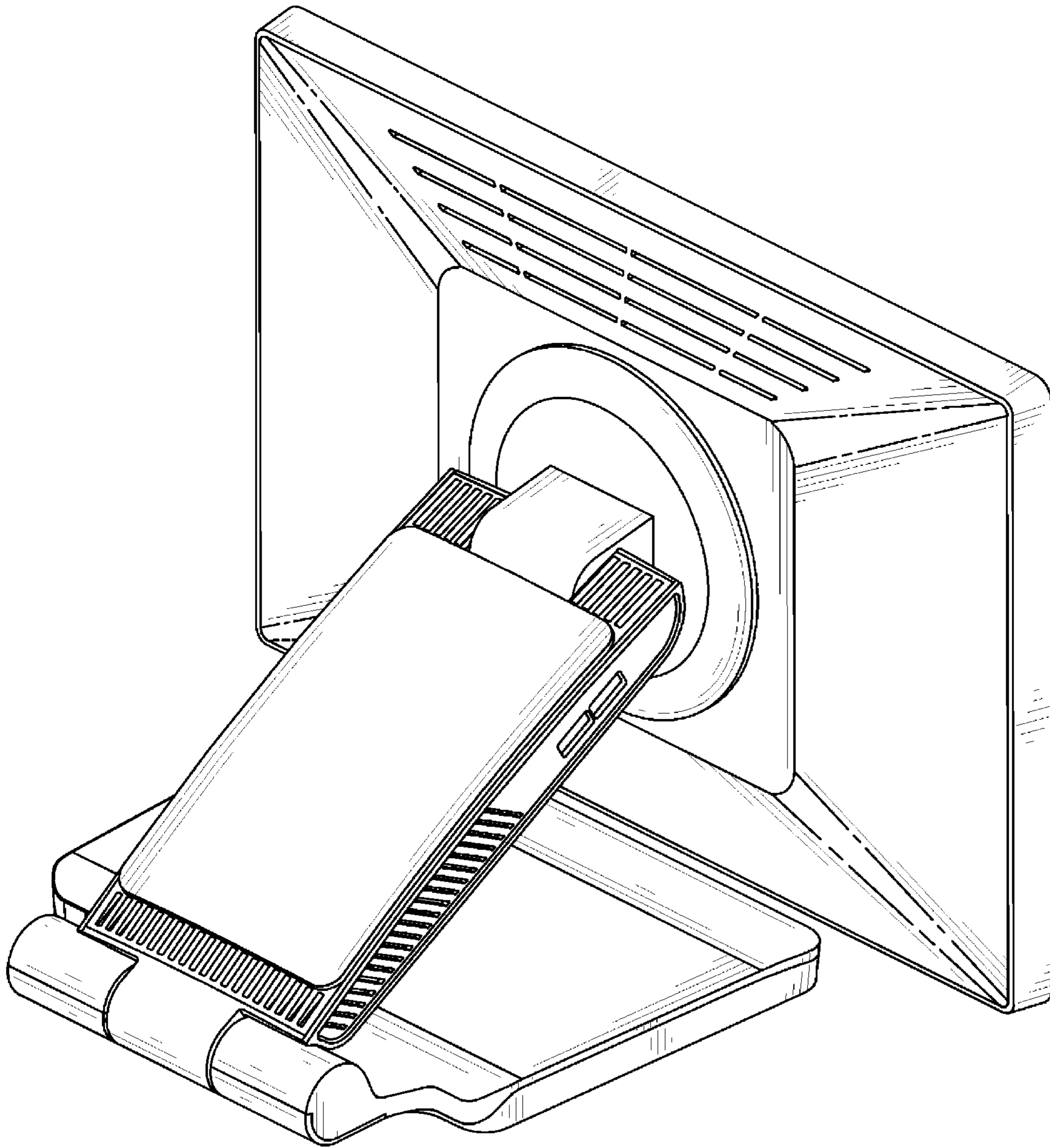


FIG. 9