



US00D631024S

(12) **United States Design Patent**
Sheppard et al.

(10) **Patent No.:** **US D631,024 S**
(45) **Date of Patent:** **** Jan. 18, 2011**

(54) **SCREEN FOR A TELEPHONE BASE**

(75) Inventors: **Nasahn Adam Sheppard**, Mill Valley, CA (US); **Timothy Foster Wallack**, New York, NY (US); **Jason Edward Short**, San Fransisco, CA (US)

(73) Assignee: **BCE Inc.**, Verdun, Quebec (CA)

(**) Term: **14 Years**

(21) Appl. No.: **29/362,043**

(22) Filed: **May 19, 2010**

Related U.S. Application Data

(62) Division of application No. 29/292,479, filed on Oct. 12, 2007, now Pat. No. Des. 619,113.

(30) **Foreign Application Priority Data**

May 16, 2007 (CA) 120749

(51) **LOC (9) Cl.** **14-03**

(52) **U.S. Cl.** **D14/130; D14/142**

(58) **Field of Classification Search** D14/125-130, D14/140-142, 158-159, 171, 188, 225-226, D14/240, 243, 247, 251, 253, 346, 349, 356, D14/358, 434, 436, 148-151; 379/88.17, 379/90.01, 93.17, 387.01, 388.02, 419-420.04, 379/428.01-428.04, 434-436, 440, 446-447, 379/454-455; 381/16, 71.1; D13/107-108; 191/12.2 R; 320/108, 110, 113-115; 455/411, 455/550.1-90.3; 348/14.01-14.06; D19/10
See application file for complete search history.

(56) **References Cited**

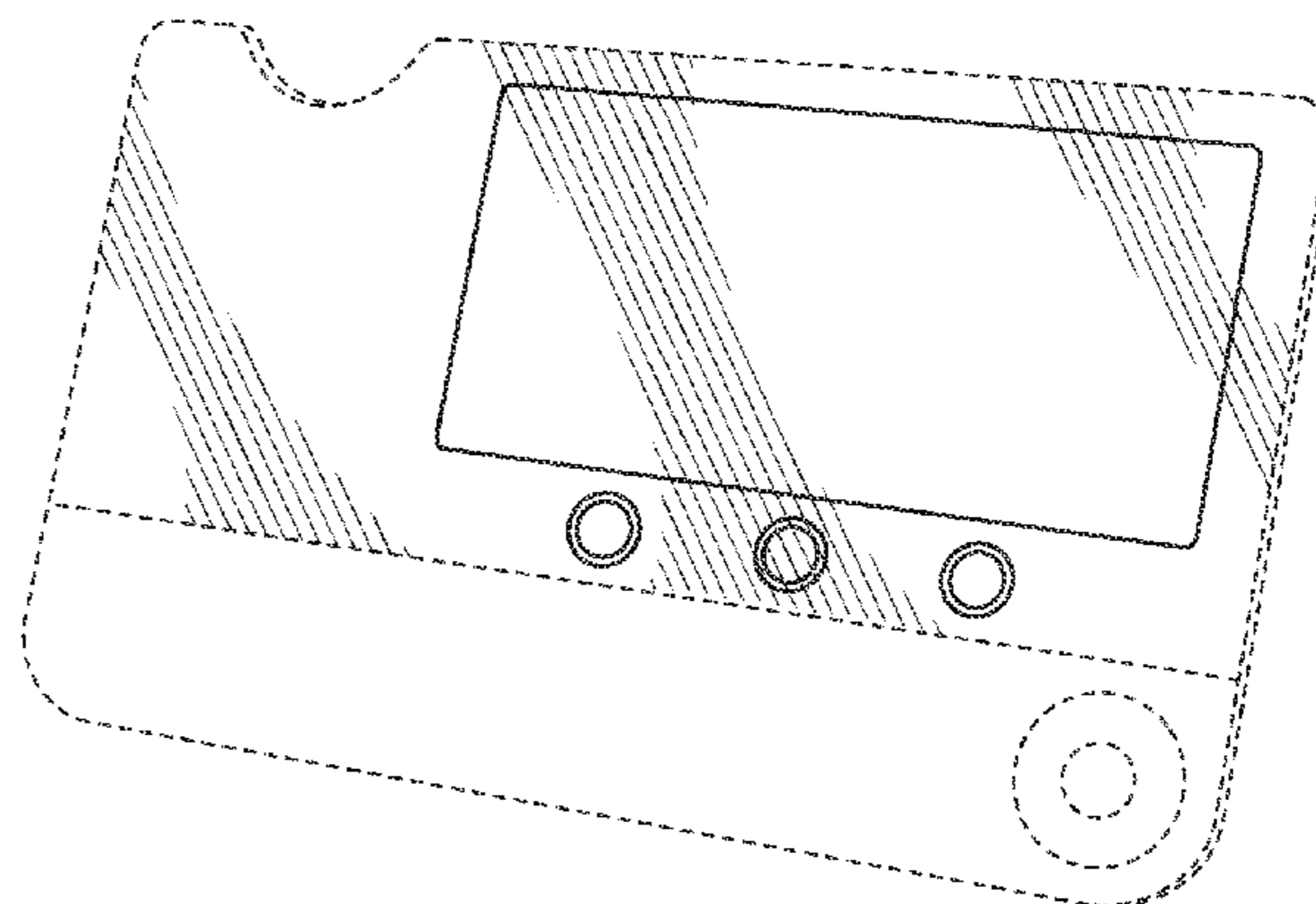
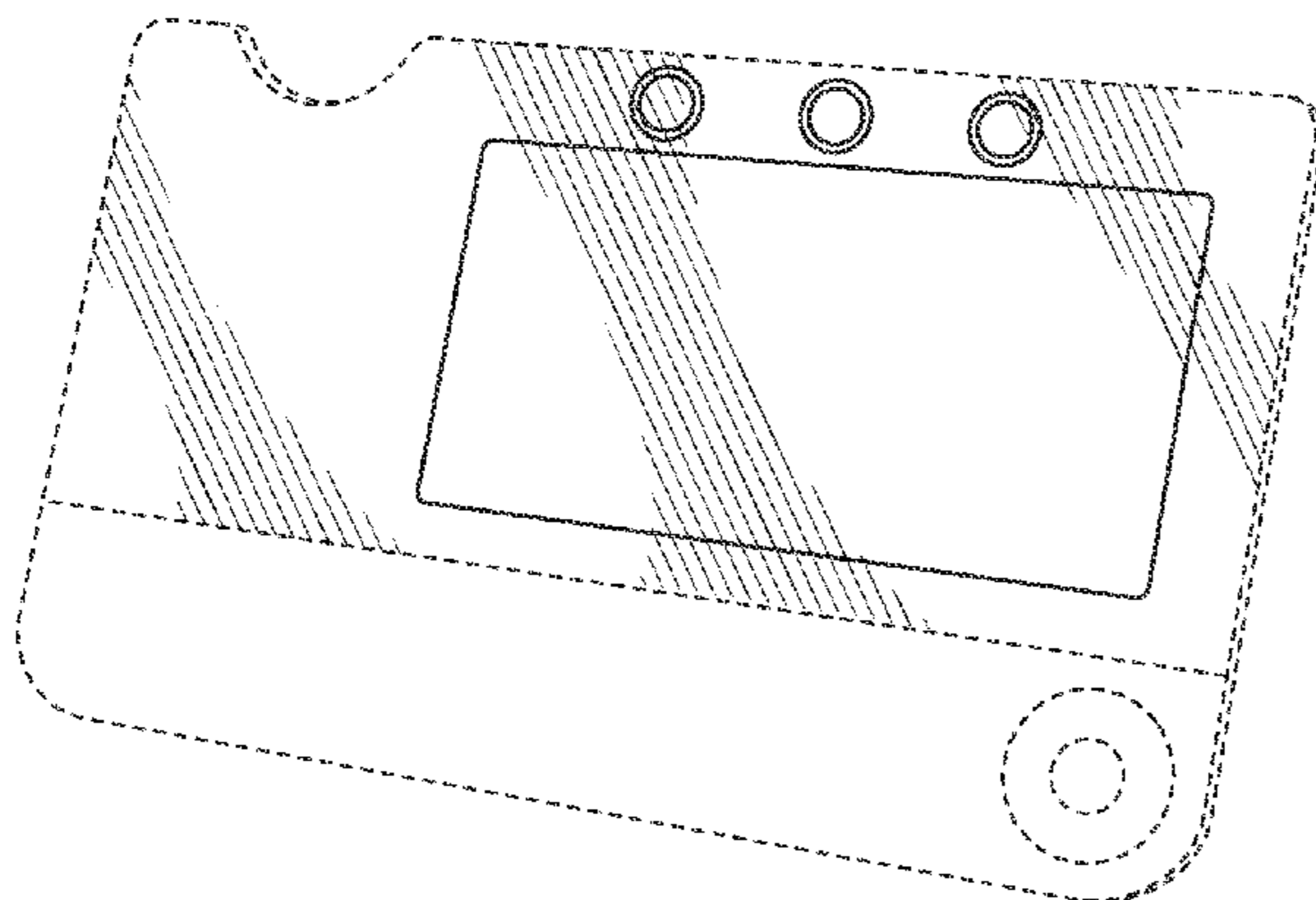
U.S. PATENT DOCUMENTS

D249,766 S 10/1978 Munn
4,438,926 A * 3/1984 Yokoi et al. 463/29
D284,861 S 7/1986 Groetzner et al.
D303,661 S 9/1989 Manabe et al.
4,927,986 A * 5/1990 Daly 178/19.01
D317,151 S * 5/1991 Daly D14/342

D323,155 S * 1/1992 Hino et al. D14/339
D324,305 S 3/1992 Prey
5,170,427 A 12/1992 Guichard et al.
D339,796 S 9/1993 Goodner et al.
D340,701 S 10/1993 Takeuchi
D344,728 S * 3/1994 Nishimoto D14/191
D354,952 S 1/1995 Rodd
D360,194 S * 7/1995 Shudo D14/341
D370,911 S 6/1996 Mo
D386,099 S * 11/1997 Billington D10/75
D392,980 S * 3/1998 Lepack D14/240
D410,913 S 6/1999 Saito et al.
D418,503 S * 1/2000 Amron D14/203.7
D420,009 S * 2/2000 Dunn et al. D14/141.3
D428,019 S 7/2000 Amron
D438,849 S 3/2001 Adachi et al.
D439,242 S * 3/2001 Brown et al. D14/141.3
D461,460 S * 8/2002 Park D14/126
D467,247 S 12/2002 Pentz
D472,553 S * 4/2003 Borsboom et al. D14/375
D483,746 S 12/2003 Hyogo
D502,156 S 2/2005 Senda
D515,134 S * 2/2006 Stewart, III D19/9
D515,522 S * 2/2006 Vitito D14/126
D520,488 S * 5/2006 Fabrizi D14/159
D522,474 S * 6/2006 Hoehn et al. D14/126
D528,519 S * 9/2006 Lin D14/126
D529,477 S 10/2006 Hsu
D537,422 S * 2/2007 Conway D14/126
D556,180 S * 11/2007 Udagawa et al. D14/151
D561,734 S * 2/2008 Yamada et al. D14/159
D566,074 S * 4/2008 Wada D14/129
D571,777 S 6/2008 Waterman et al.
D576,618 S 9/2008 Wong
D581,897 S 12/2008 Katori
D582,875 S 12/2008 Haspil
D585,399 S 1/2009 Hwang
D597,057 S * 7/2009 Sheppard D14/142
D597,058 S * 7/2009 Sheppard D14/142
D598,002 S * 8/2009 Sheppard et al. D14/142
D619,113 S * 7/2010 Sheppard et al. D14/130
2005/0126061 A1 6/2005 Lin

OTHER PUBLICATIONS

8.3" TFT LCD Night Vision Color Video Door Phone Access Control System (4 Indoor Unit) ZDL-28T1+ZDL-63, <URL:http://www.



dinodirect.com/video-door-phone-access-control-system-night-vision-tft-lcd-zdl-28t1-zdl-6380w.html>, retrieved from internet Sep. 6, 2010.*

2x7" Monitors and 380TVL CMOS Camera Video Door Phone System MLMN-2, <URL:http://www.dinodirect.com/2x-7-Monitors-and-380TVL-CMOS-Camera-Video-Door-Phone-System-MLMN-2.html>, retrieved from internet Sep. 6, 2010.*

5.6" TFT LCD Hand Free Color Video Door Phone Security System CR456A, <URL:http://www.dinodirect.com/5-6-TFT-LCD-Hand-Free-Color-Video-Door-Phone-Security-System-CR456A.html>, retrieved from internet Sep. 6, 2010.*

Outdoor Camera & 7" TFT LCD Photographing Monitor Home Security Video Door Phone Intercom SY80M3, <URL:http://www.dinodirect.com/video-door-phone-intercom-outdoor-camera-tft-lcd-monitor-photographing-sy80m3.html>, retrieved from internet Sep. 6, 2010.*

7" Color LCD Display Video Door System with Chargers and Cables NVDP123, URL:http://www.dinodirect.com/7-Color-LCD-Display-Video-Door-Phone-System-with-Chargers-and-Cables-NVDP123/AFFID-19.html, retrieved from internet Jan. 29, 2010.

7" TFT LCD Display Color Video Door Phone Kits with Adapter BPH454, URL:http://www.dinodirect.com/7-TFT-LCD-Display-Color-Video-Door-Phone-Kits-with-Adapter-BPH454.html, retrieved from internet Jan. 29, 2010.

Notice of Allowance for U.S. Appl. No. 29/292,479.

Notice of Allowance for U.S. Appl. No. 29/292,483.

Notice of Allowance for U.S. Appl. No. 29/292,484.

Notice of Allowance for U.S. Appl. No. 29/292,489.

* cited by examiner

Primary Examiner—Robert M Spear

Assistant Examiner—Carla Jobe Wright

(74) *Attorney, Agent, or Firm*—Merchant & Gould P.C.

(57) **CLAIM**

The ornamental design for a screen for a telephone base, as shown and described.

DESCRIPTION

FIG. 1 is a perspective view of a screen for a telephone base showing our new design;

FIG. 2 is a front elevational view of the screen for a telephone base of FIG. 1;

FIG. 3 is a rear elevational view of the screen for a telephone base of FIG. 1;

FIG. 4 is a left side elevational view of the screen for a telephone base of FIG. 1;

FIG. 5 is a right side elevational view of the screen for a telephone base of FIG. 1;

FIG. 6 is a top plan view of the screen for a telephone base of FIG. 1;

FIG. 7 is a bottom view of the screen for a telephone base of FIG. 1;

FIG. 8 is a perspective view of a second embodiment of a screen for a telephone base;

FIG. 9 is a front elevational view of the screen for a telephone base of FIG. 8;

FIG. 10 is a rear elevational view of the screen for a telephone base of FIG. 8;

FIG. 11 is a left side elevational view of the screen for a telephone base of FIG. 8;

FIG. 12 is a right side elevational view of the screen for a telephone base of FIG. 8;

FIG. 13 is a top plan view of the screen for a telephone base of FIG. 8;

FIG. 14 is a bottom view of the screen for a telephone base of FIG. 8;

FIG. 15 is a perspective view of a third embodiment of a screen for a telephone base;

FIG. 16 is a front elevational view of the screen for a telephone base of FIG. 15;

FIG. 17 is a rear elevational view of the screen for a telephone base of FIG. 15;

FIG. 18 is a left side elevational view of the screen for a telephone base of FIG. 15;

FIG. 19 is a right side elevational view of the screen for a telephone base of FIG. 15;

FIG. 20 is a top plan view of the screen for a telephone base of FIG. 15;

FIG. 21 is a bottom view of the screen for a telephone base of FIG. 15;

FIG. 22 is a perspective view of a fourth embodiment of a screen for a telephone base;

FIG. 23 is a front elevational view of the screen for a telephone base of FIG. 22;

FIG. 24 is a rear elevational view of the screen for a telephone base of FIG. 22;

FIG. 25 is a left side elevational view of the screen for a telephone base of FIG. 22;

FIG. 26 is a right side elevational view of the screen for a telephone base of FIG. 22;

FIG. 27 is a top plan view of the screen for a telephone base of FIG. 22; and,

FIG. 28 is a bottom view of the screen for a telephone base of FIG. 22.

The broken lines immediately adjacent the shaded surfaces represent boundaries of the claimed design. All other broken lines are directed to environment. The broken lines and unshaded regions within the broken lines form no part of the claimed design.

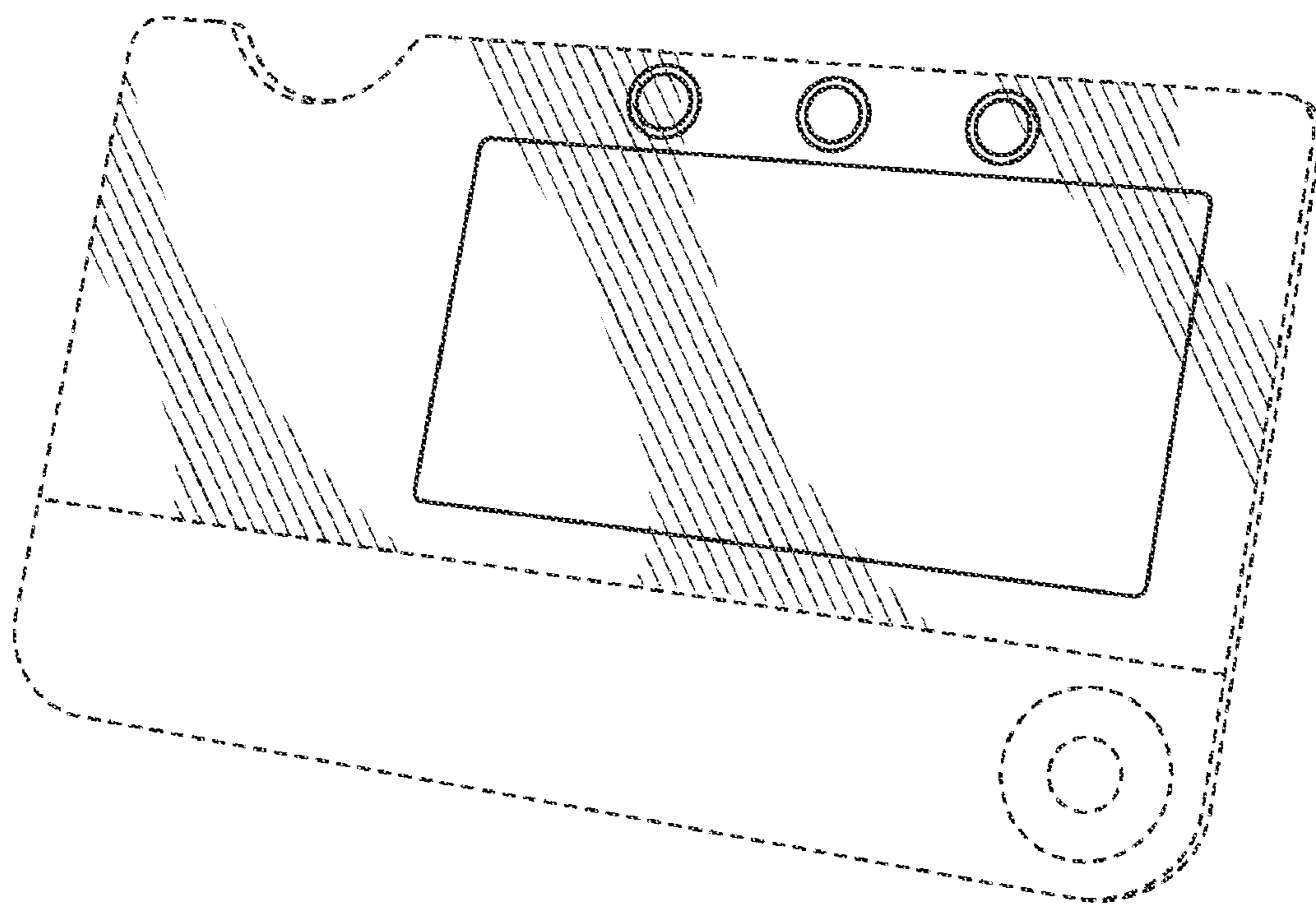


FIG. 1

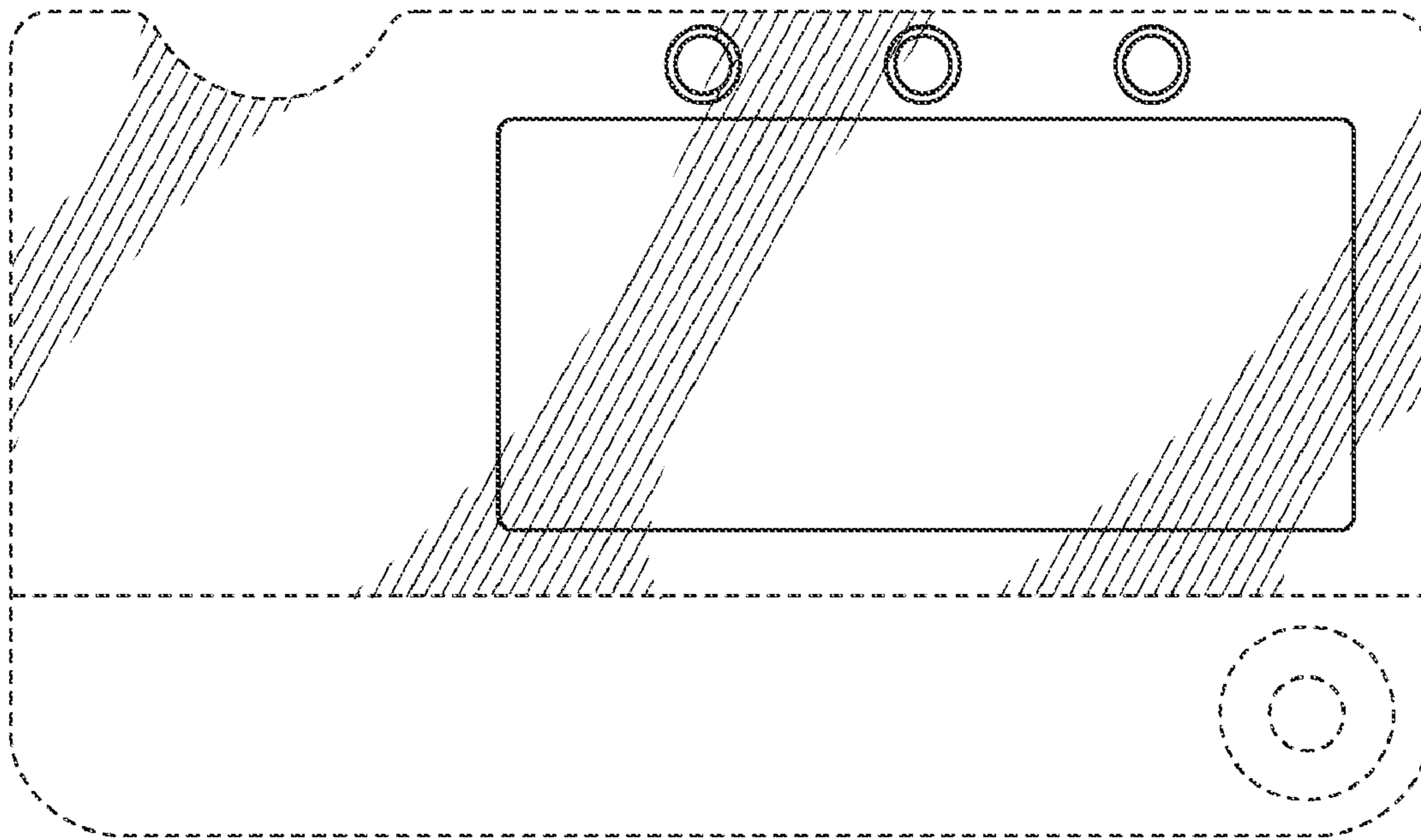


FIG. 2

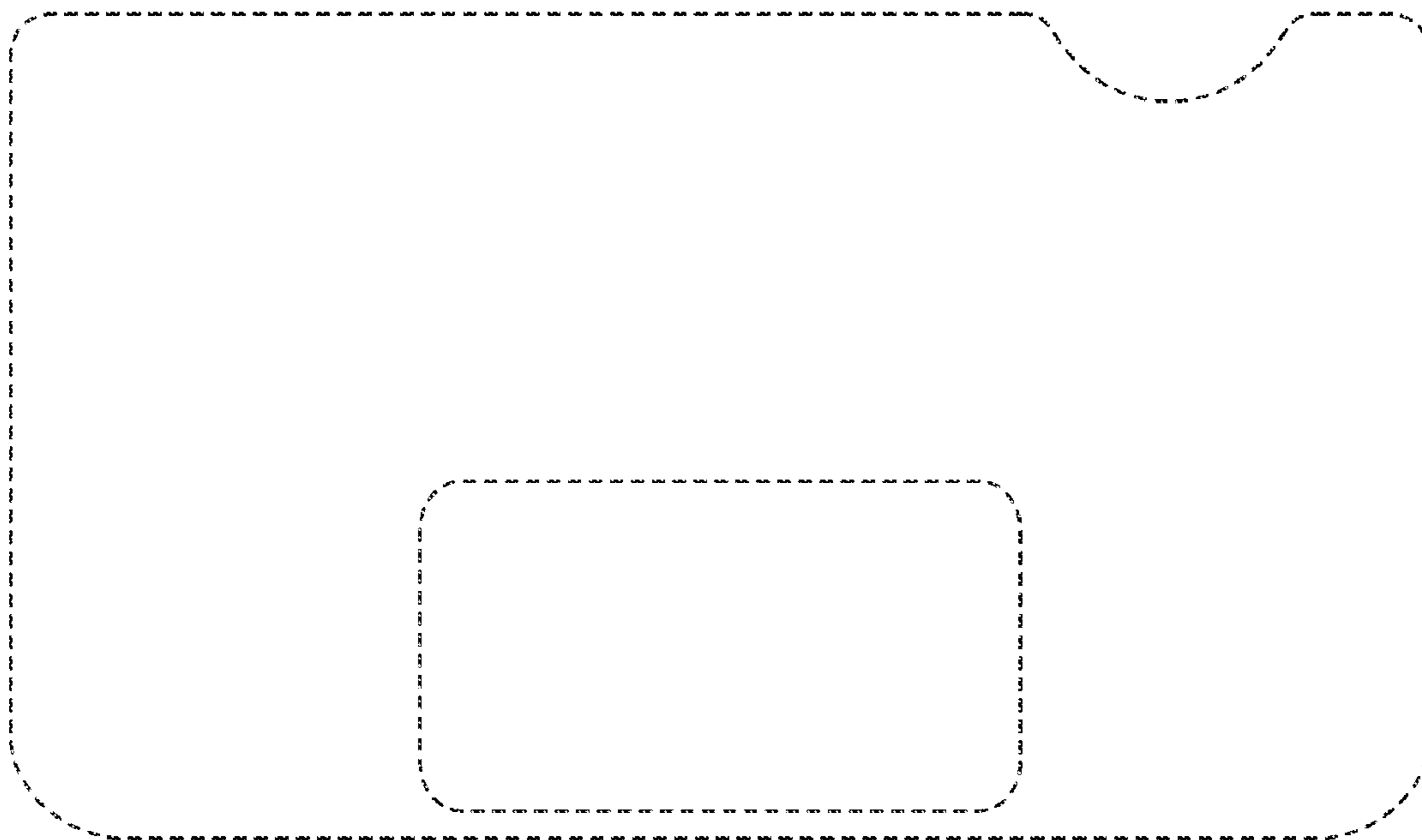


FIG. 3

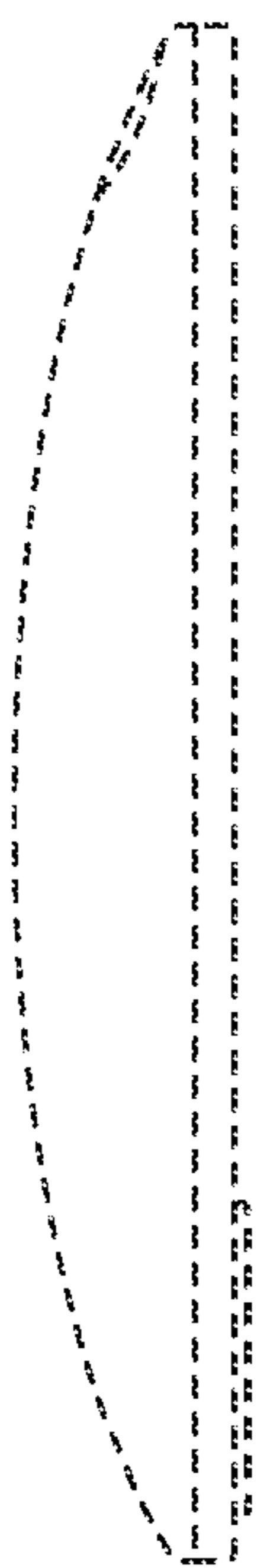


FIG. 4

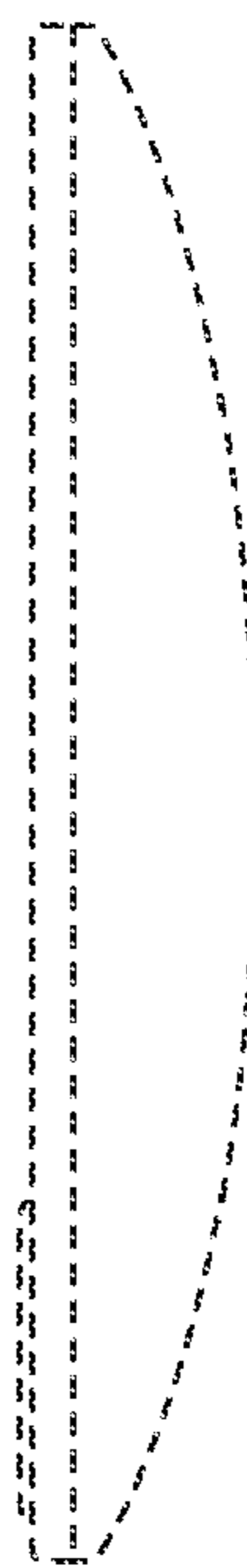


FIG. 5



FIG. 6

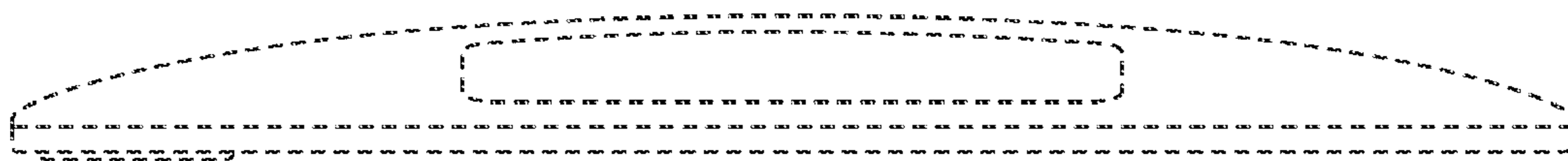


FIG. 7

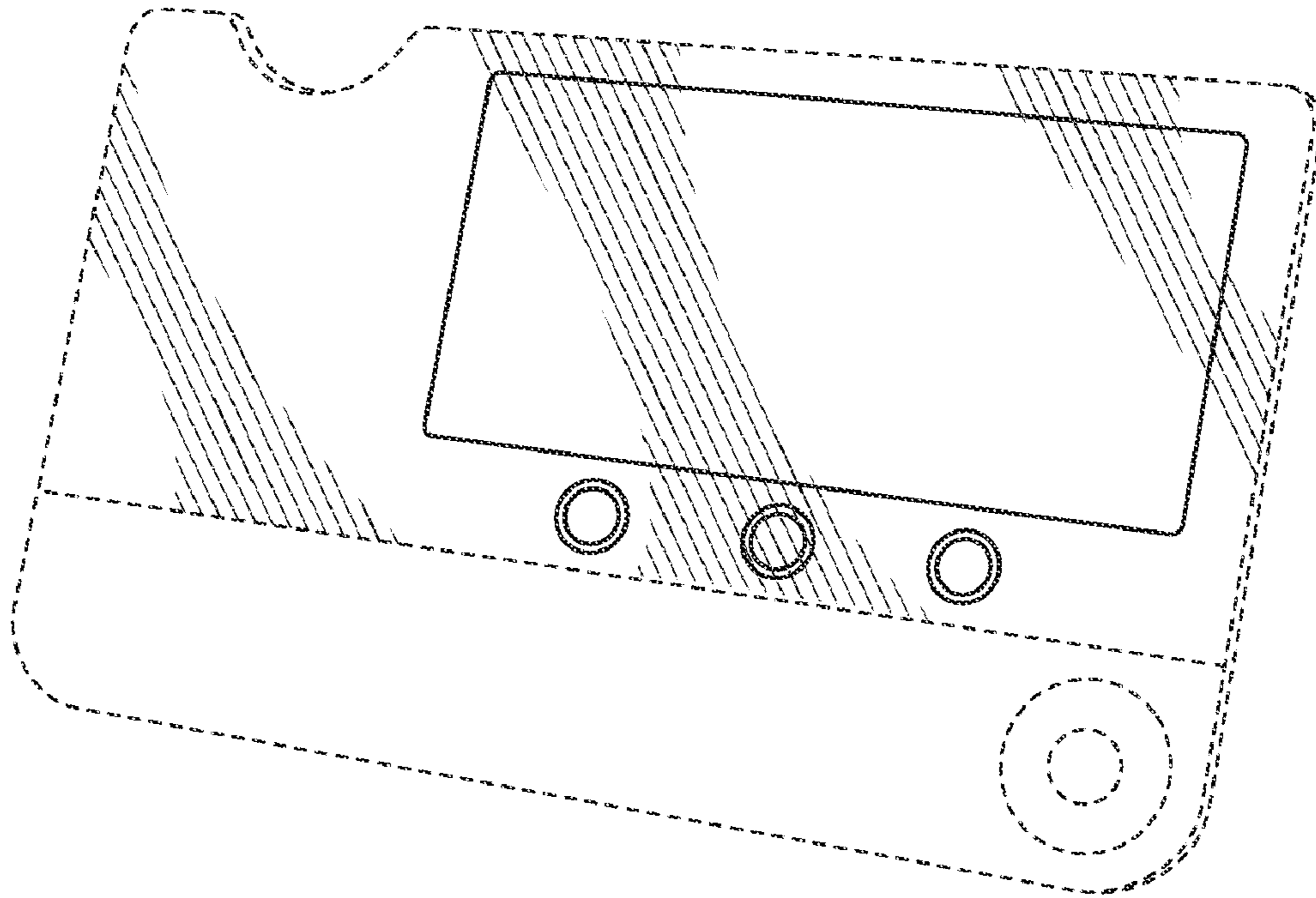


FIG. 8

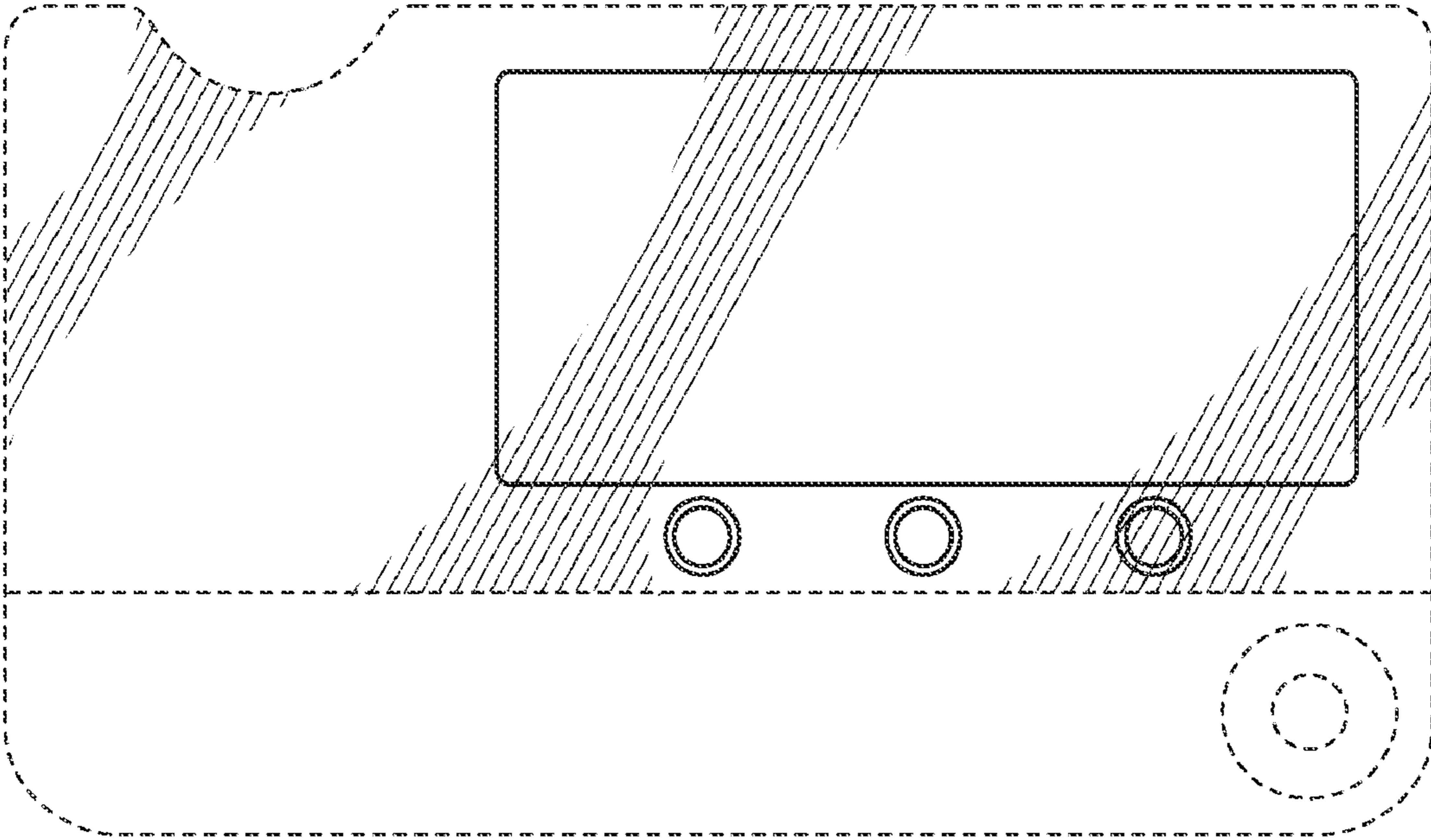


FIG. 9

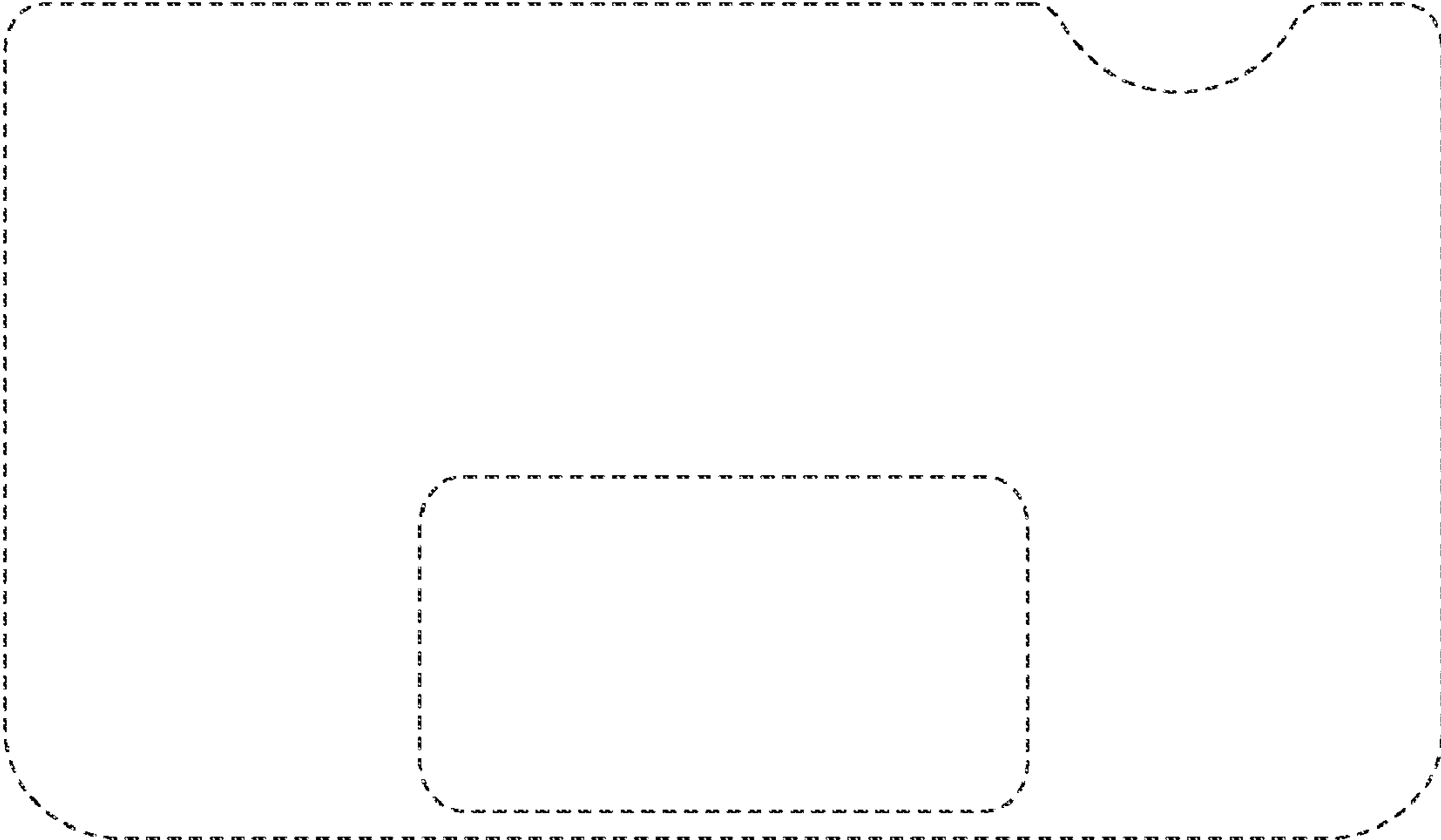


FIG. 10

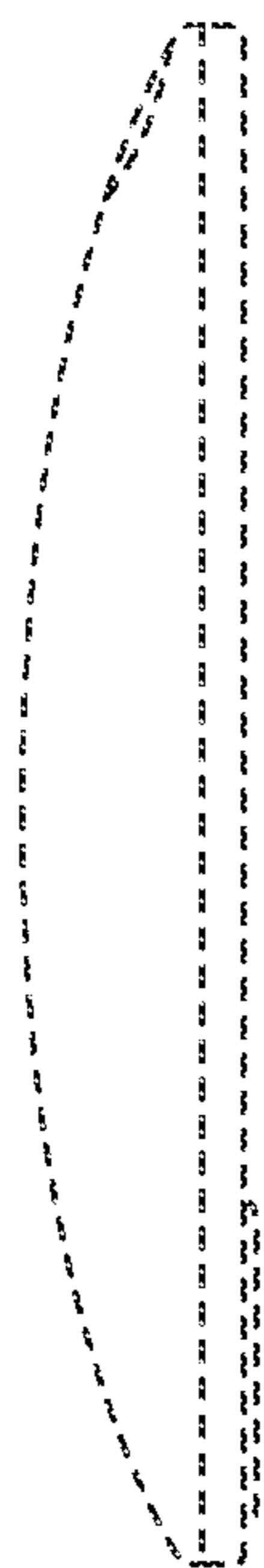


FIG. 11

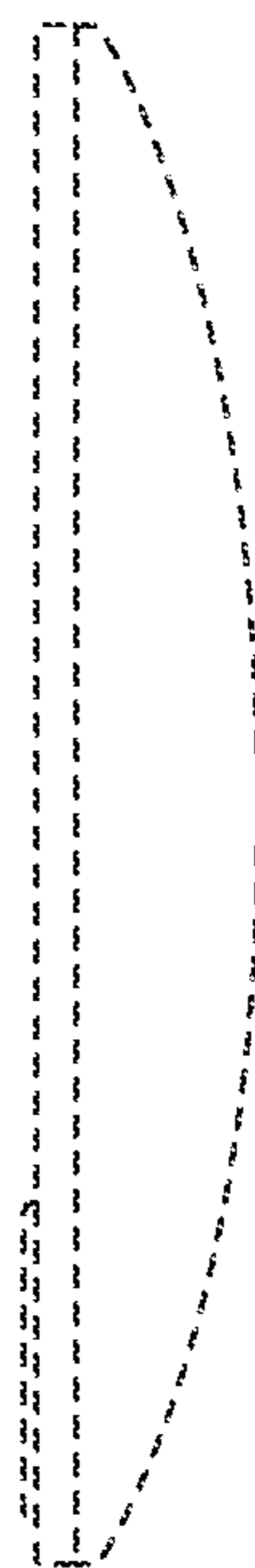


FIG. 12

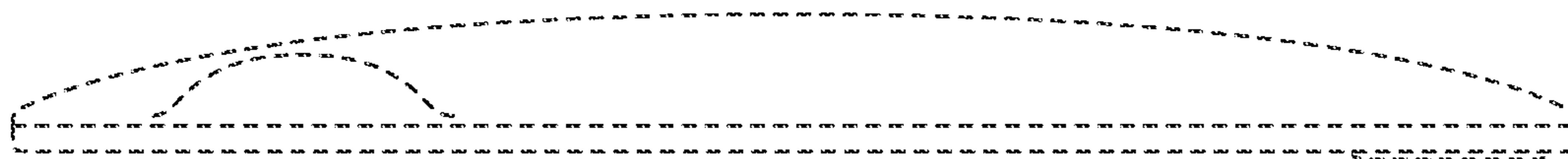


FIG. 13

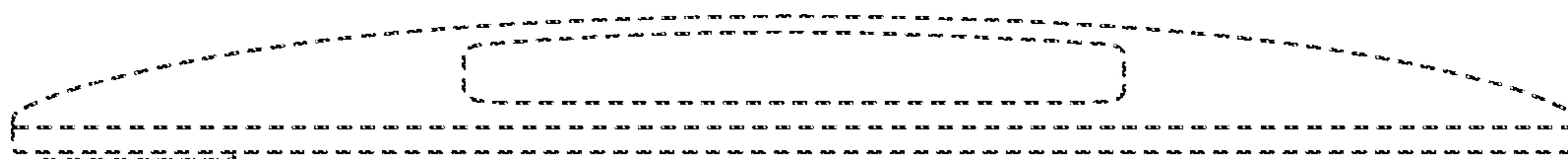


FIG. 14

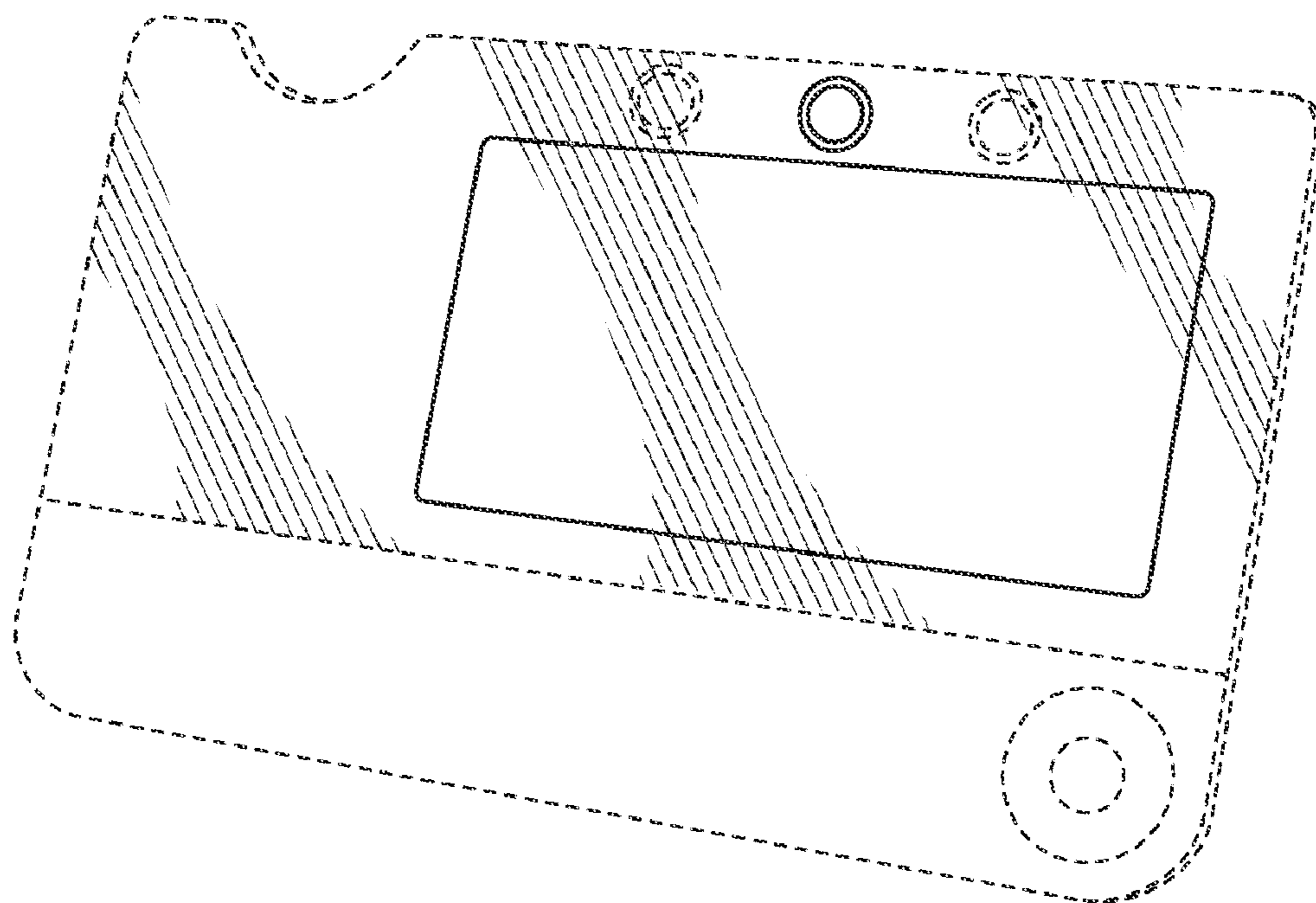


FIG. 15

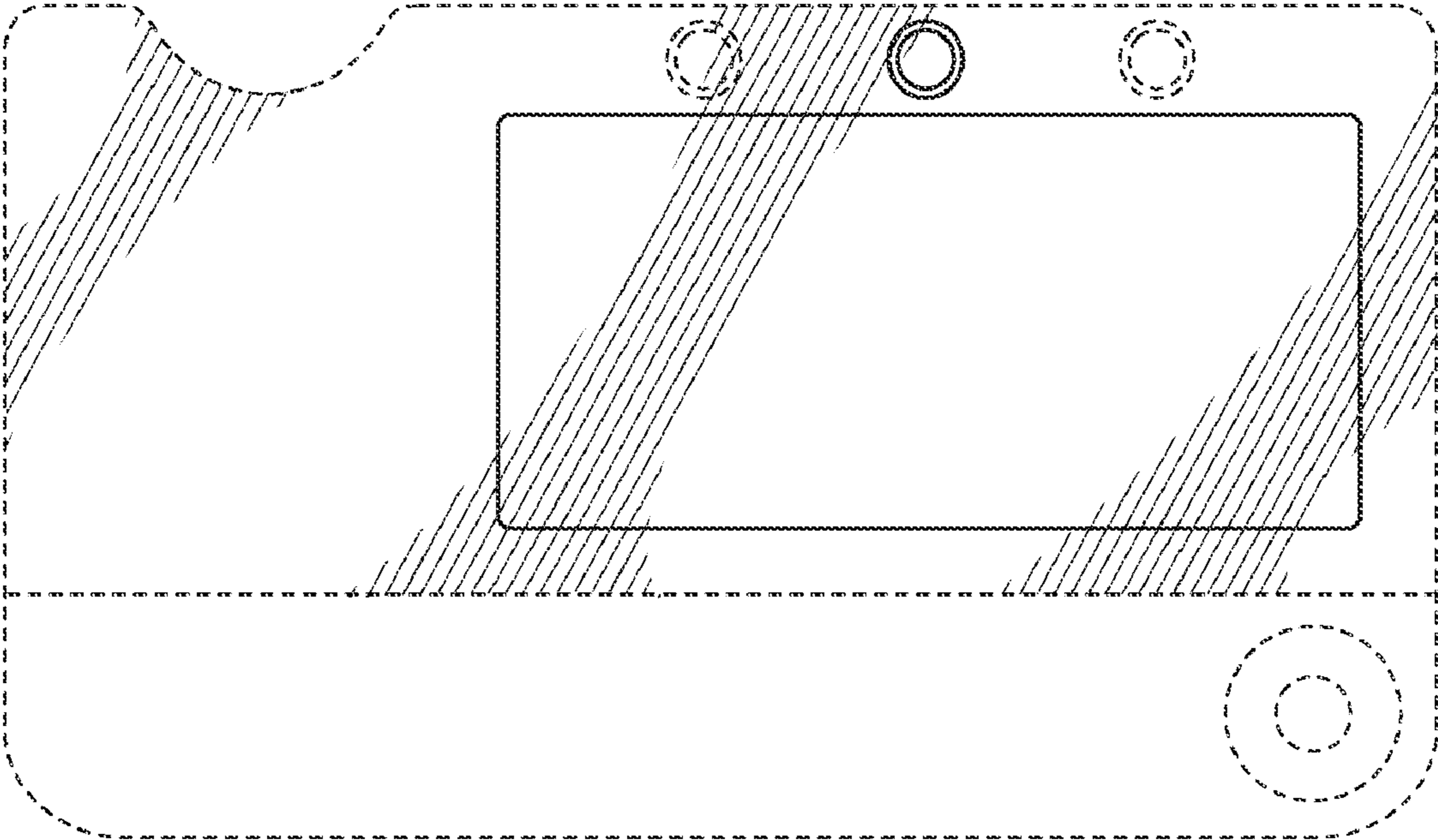


FIG. 16

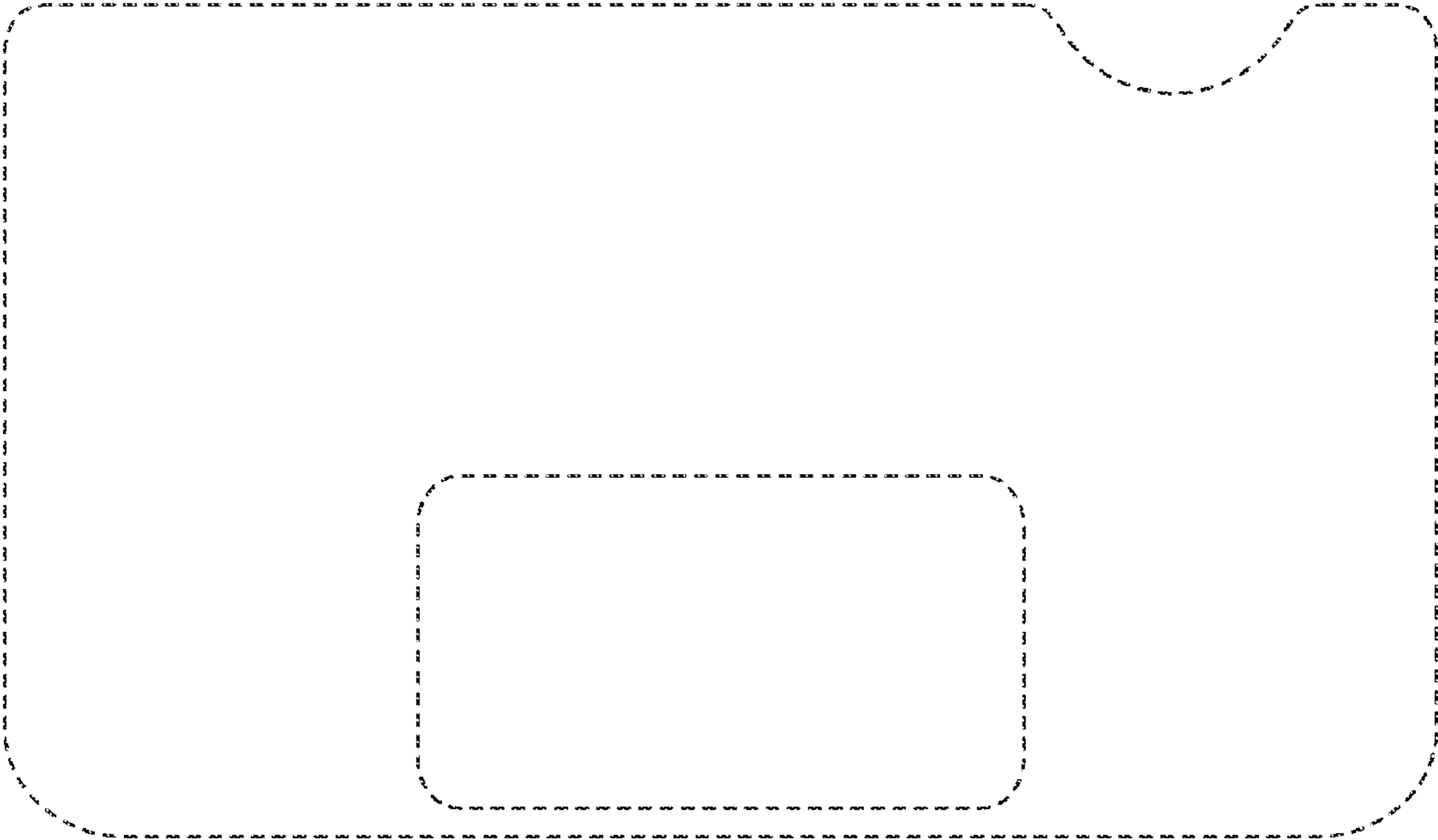


FIG. 17

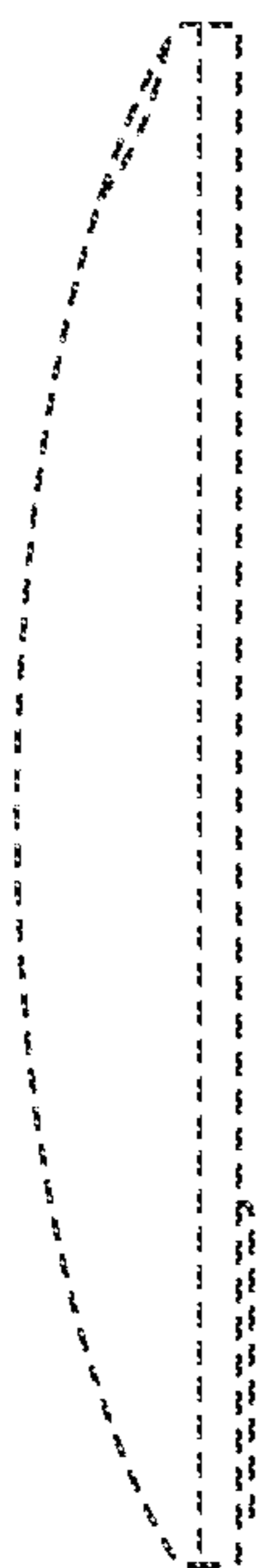


FIG. 18

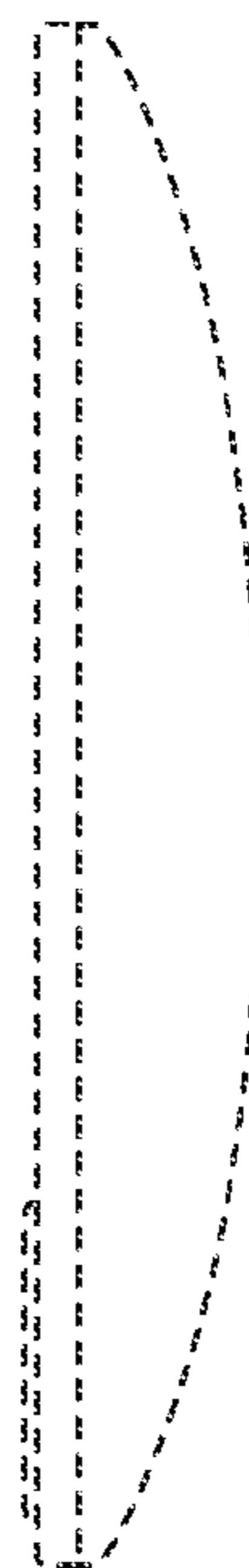


FIG. 19



FIG. 20

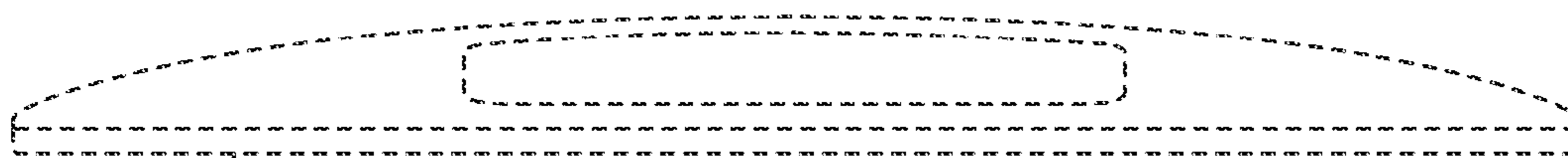


FIG. 21

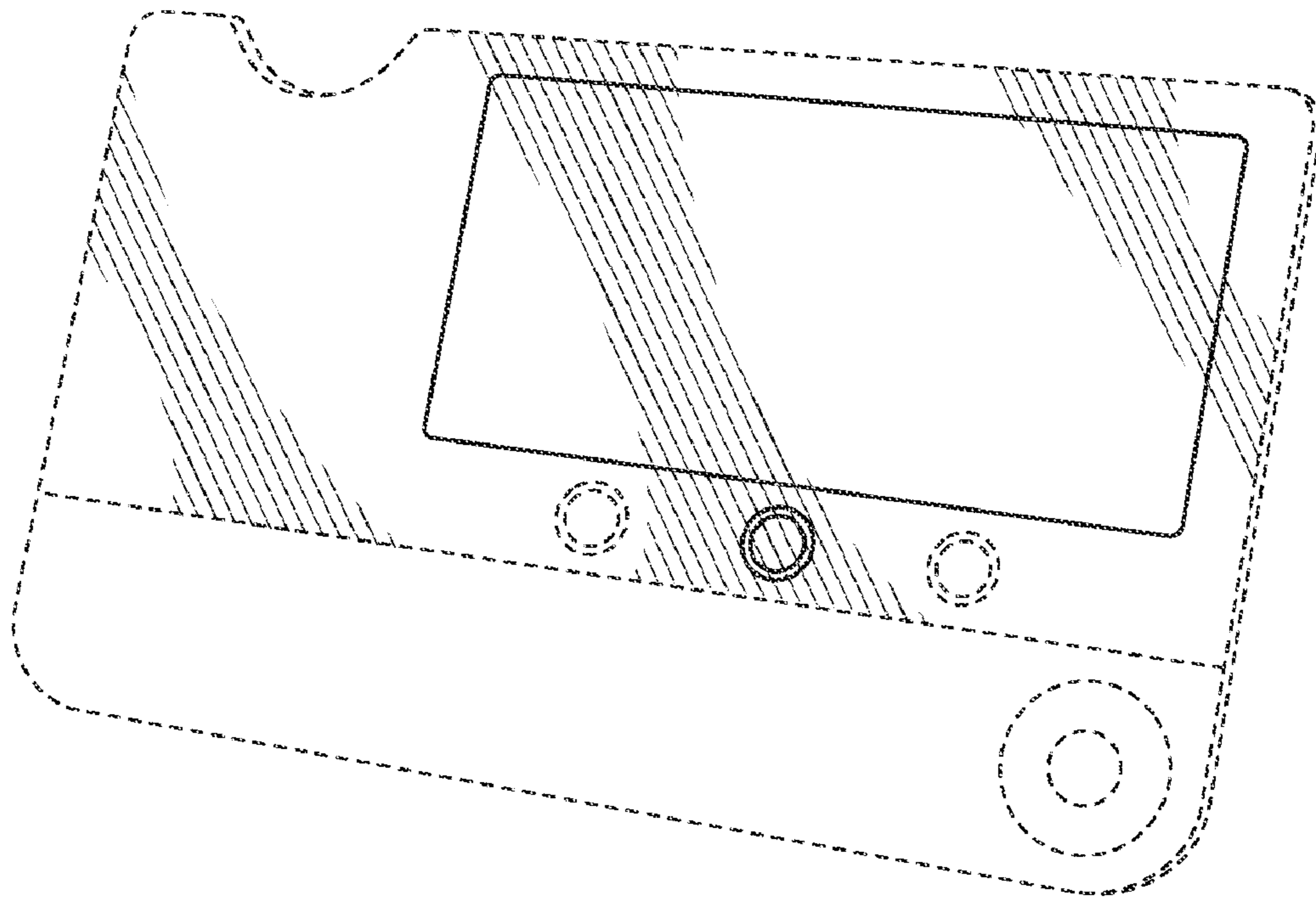


FIG. 22

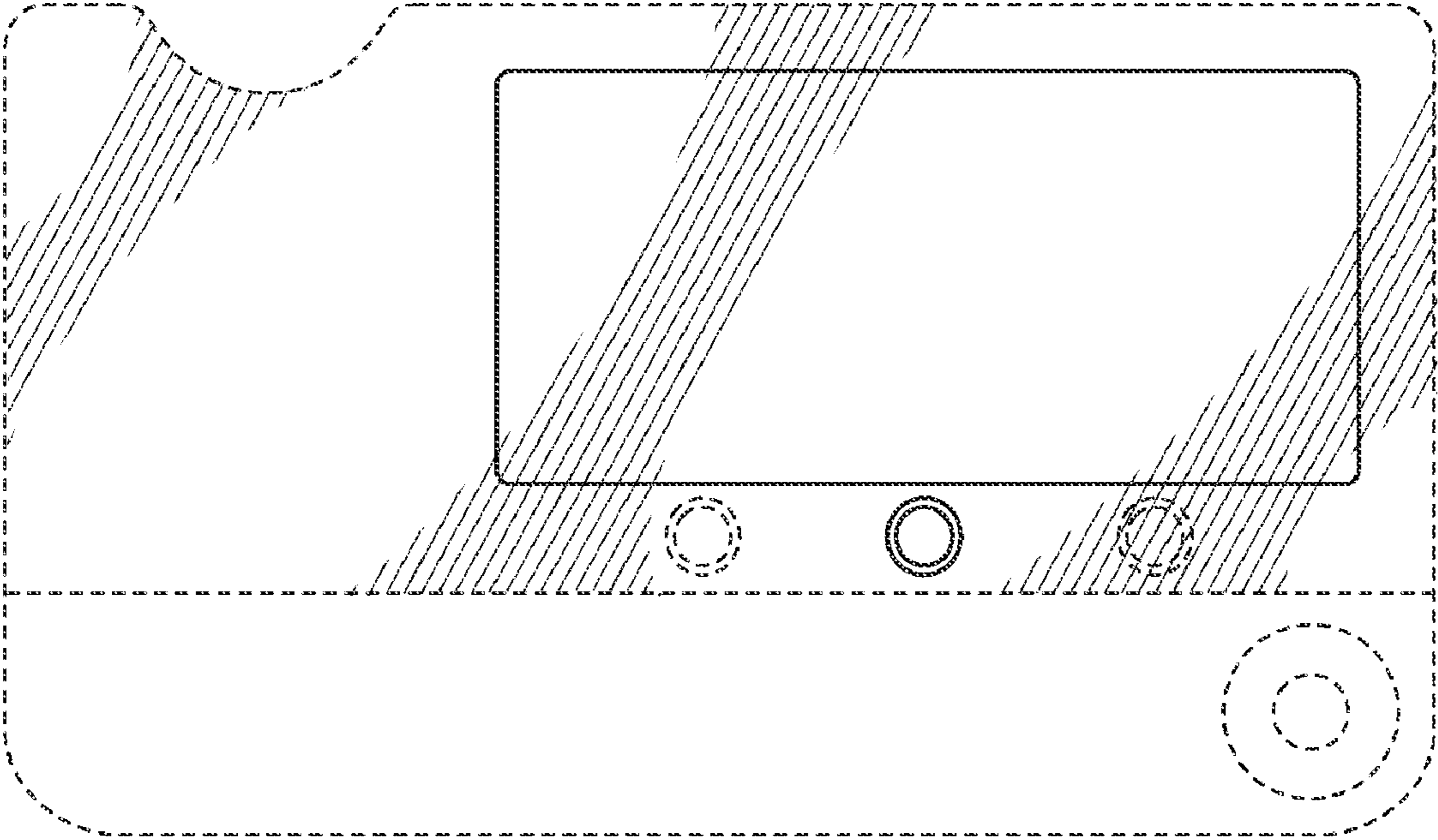


FIG. 23

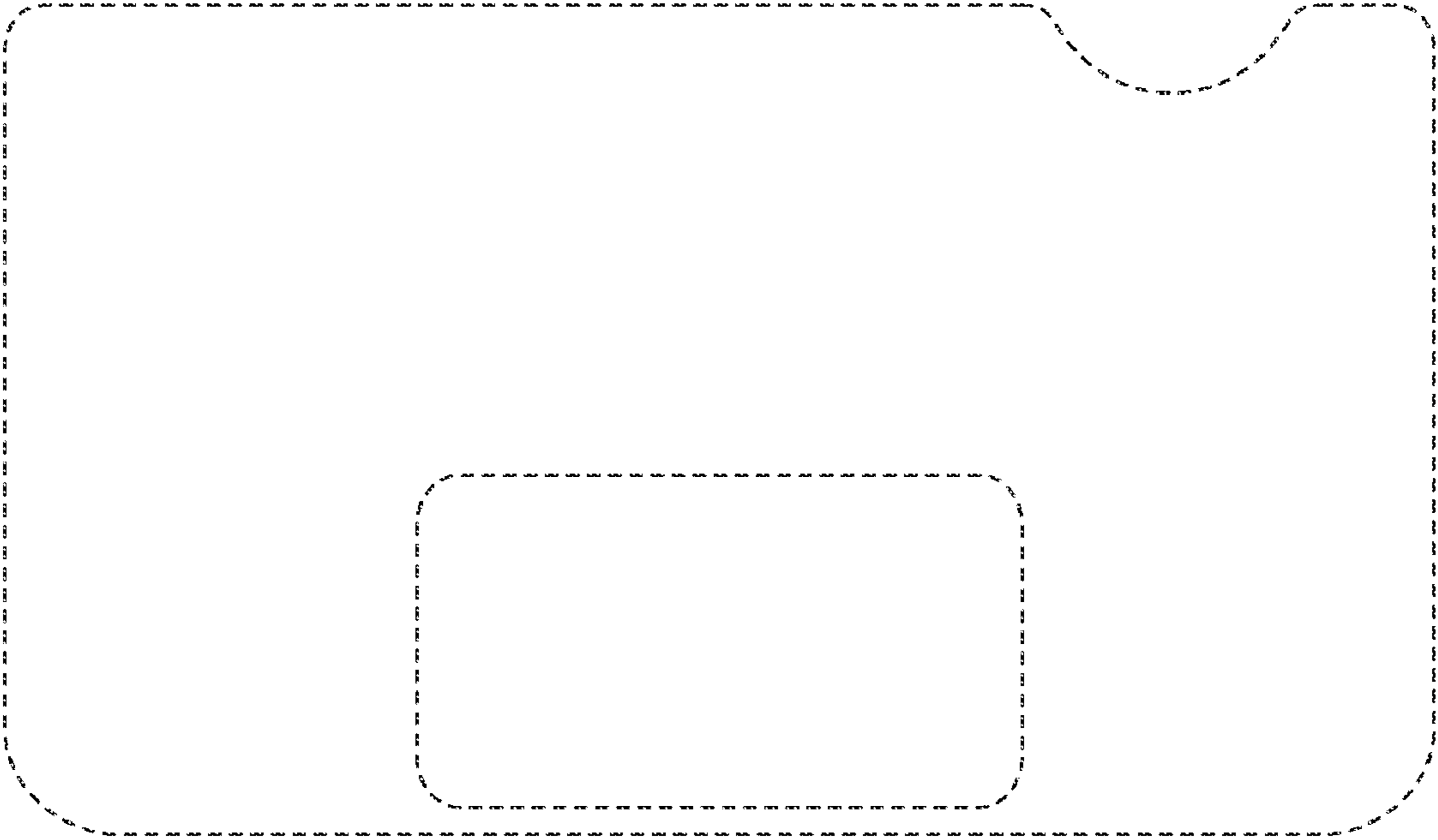


FIG. 24

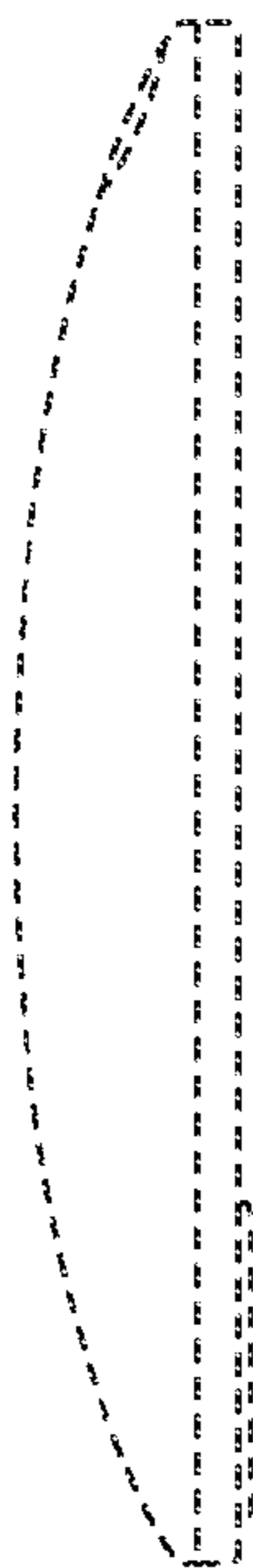


FIG. 25

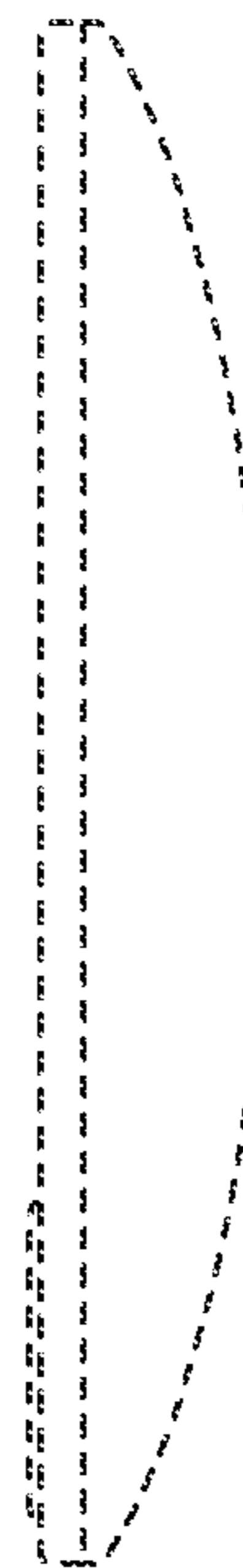


FIG. 26



FIG. 27

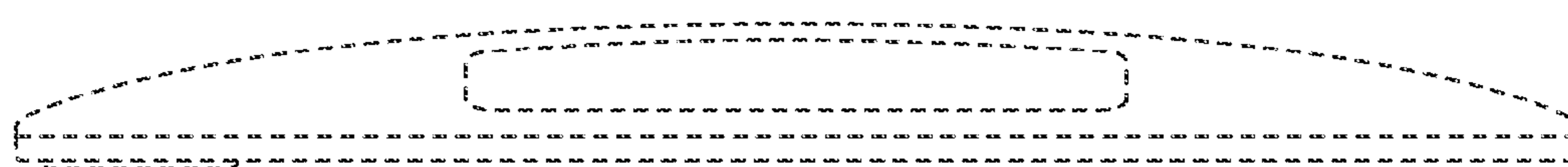


FIG. 28