



US00D631023S

(12) **United States Design Patent**
Kim et al.

(10) **Patent No.:** **US D631,023 S**
(45) **Date of Patent:** **** Jan. 18, 2011**

(54) **TELEVISION RECEIVER**

(75) Inventors: **Hyung Yuel Kim**, Seoul (KR); **Jun Ki Kim**, Seoul (KR); **Sang Gi Kim**, Seoul (KR); **Mi Sun Park**, Seoul (KR)

(73) Assignee: **LG Electronics Inc.**, Seoul (KR)

(**) Term: **14 Years**

(21) Appl. No.: **29/362,651**

(22) Filed: **May 28, 2010**

(30) **Foreign Application Priority Data**

Nov. 30, 2009 (KR) 30-2009-0052692

(51) **LOC (9) Cl.** **14-03**

(52) **U.S. Cl.** **D14/126**

(58) **Field of Classification Search** D14/125-134,
D14/239, 371, 136, 374-377, 440, 450, 448,
D14/336, 342; 312/7.2; 348/836, 838, 180,
348/184, 325, 739; 341/12; 248/917-924,
248/465; 345/104, 133, 156, 168, 87, 173;
720/605, 669, 600, 655; 369/99, 197; D21/329,
D21/515, 577, 622, 333, 433, 448, 452, 450,
D21/331; D6/477, 479, 300; 273/148 B;
446/484, 175, 356; D10/15, 26

See application file for complete search history.

(56) **References Cited**

U.S. PATENT DOCUMENTS

D438,848 S * 3/2001 Kita D14/126

D605,151 S * 12/2009 Honda D14/126

D606,953 S * 12/2009 Shin et al. D14/126
D614,595 S * 4/2010 Kubota D14/126
D616,400 S * 5/2010 Lee et al. D14/126
D620,904 S * 8/2010 Honda D14/126

* cited by examiner

Primary Examiner—Raphael Barkai

(74) *Attorney, Agent, or Firm*—Morgan, Lewis & Bockius LLP

(57) **CLAIM**

The ornamental design for a television receiver, as shown and described.

DESCRIPTION

FIG. 1 is a perspective view of a television receiver showing our new design;

FIG. 2 is a front view thereof;

FIG. 3 is a rear view thereof;

FIG. 4 is a left side view thereof where the right side view is a mirror image;

FIG. 5 is a top plan view thereof;

FIG. 6 is a bottom plan view thereof;

FIG. 7 is a perspective view thereof showing the state of operating; and,

FIG. 8 is a perspective view thereof showing the state in which the television receiver has been installed to a wall after the stand part has been detached.

The broken lines shown in FIG. 8 are for illustrative purposes only and form no part of the claimed design.

1 Claim, 7 Drawing Sheets

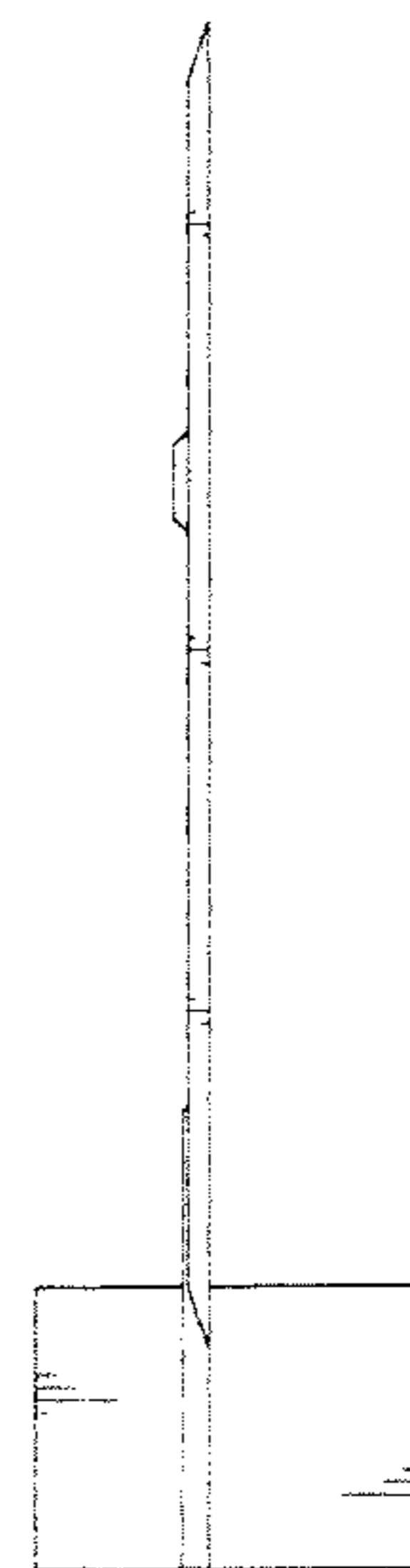
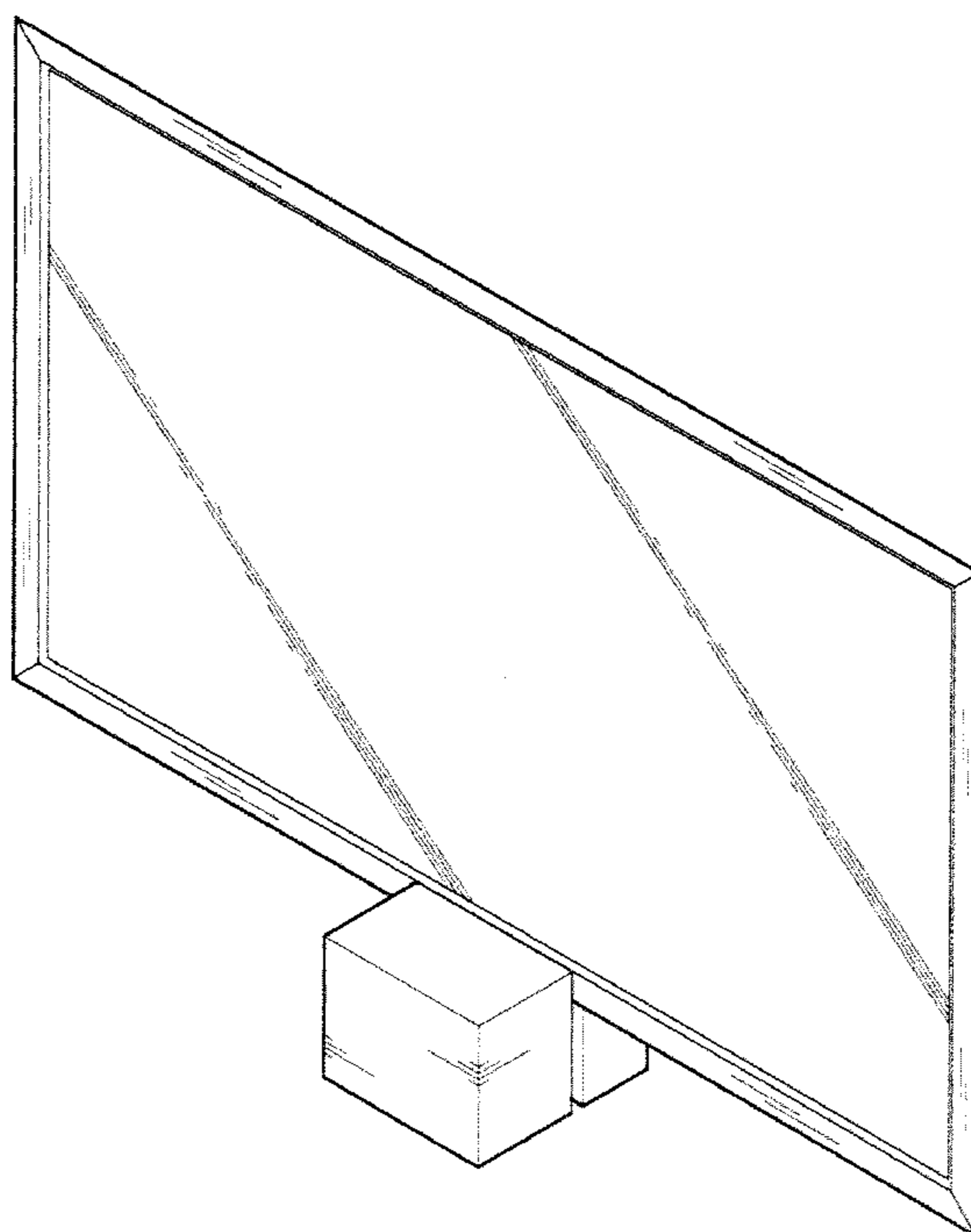


FIG. 1

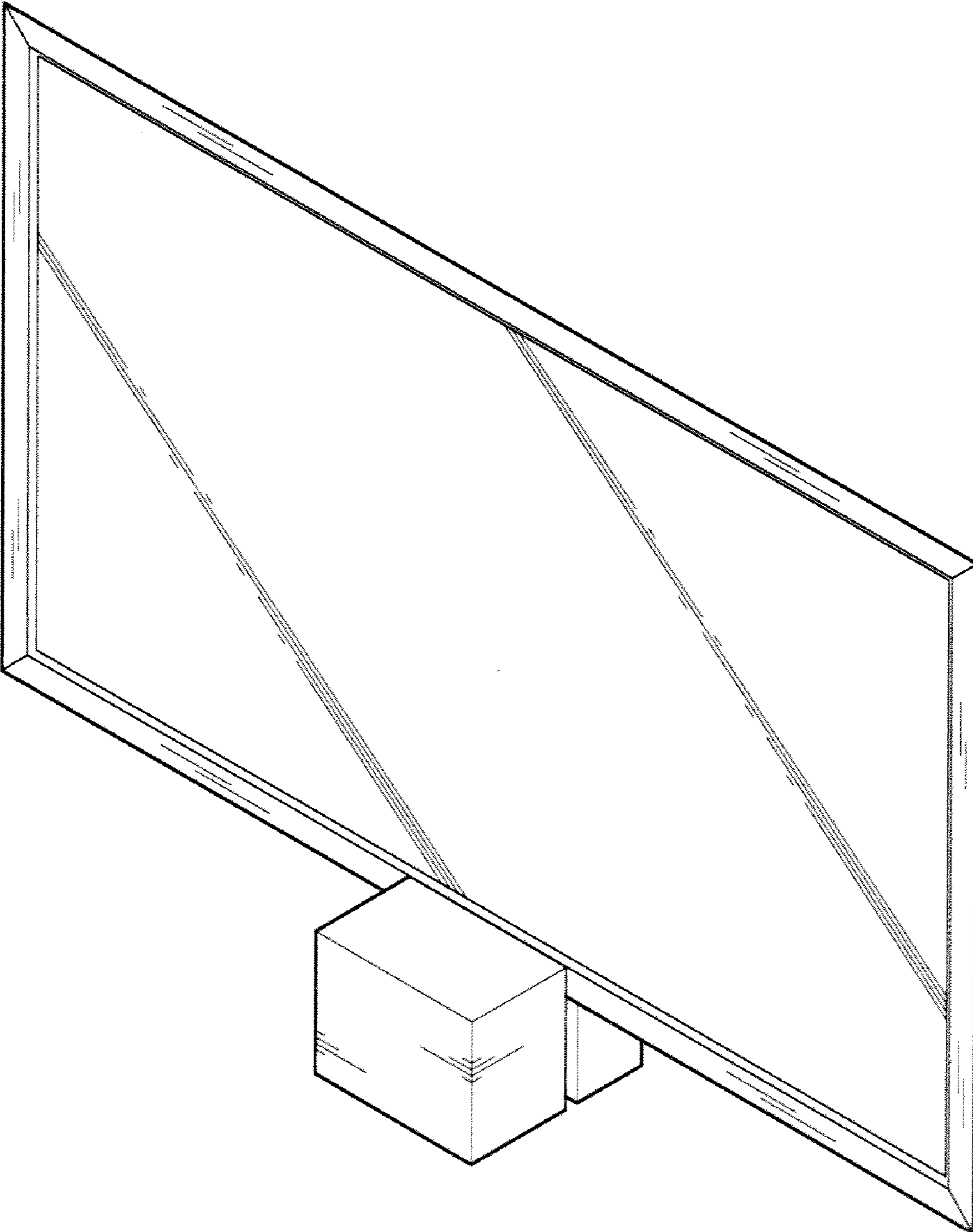


FIG. 2

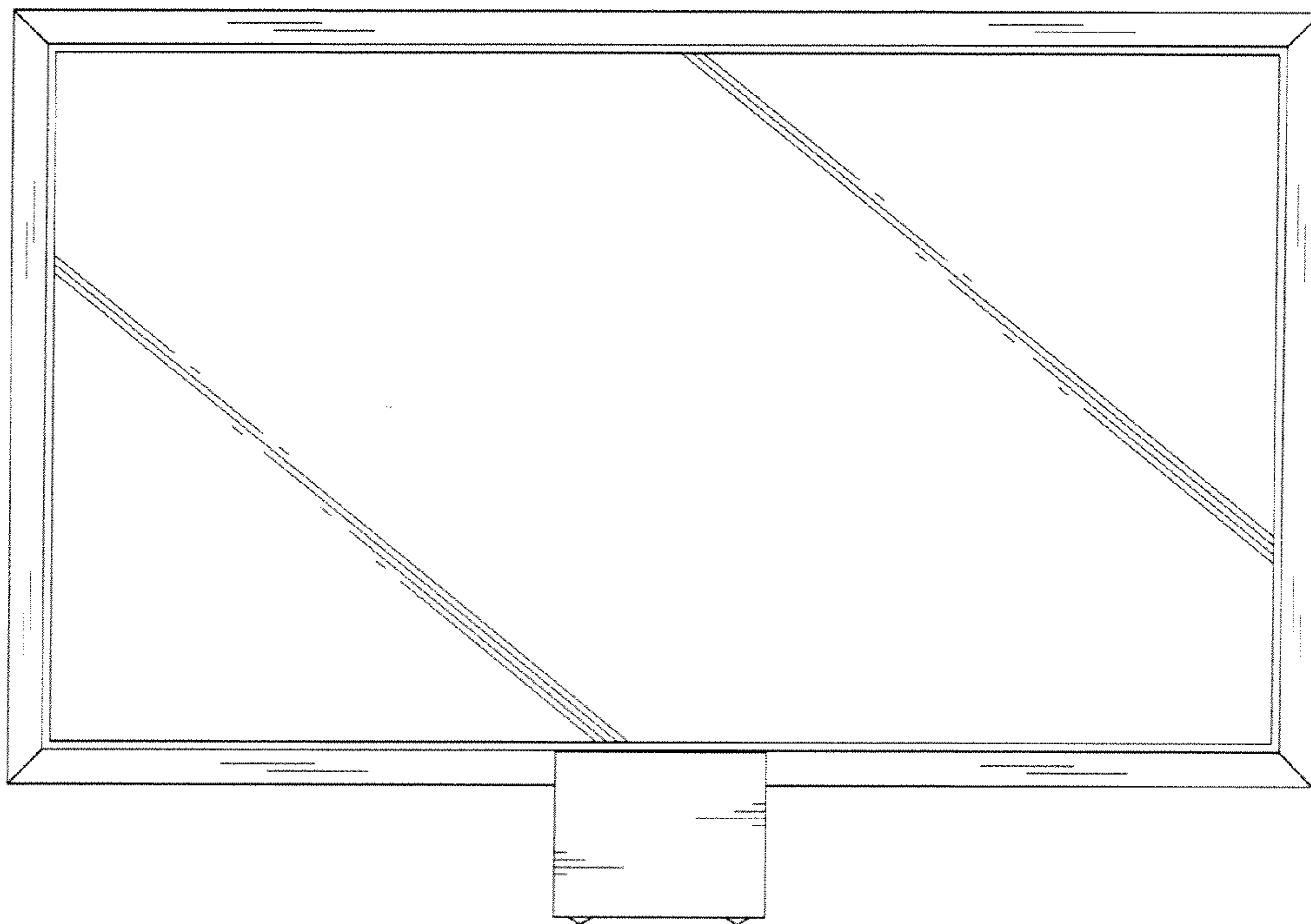


FIG. 3

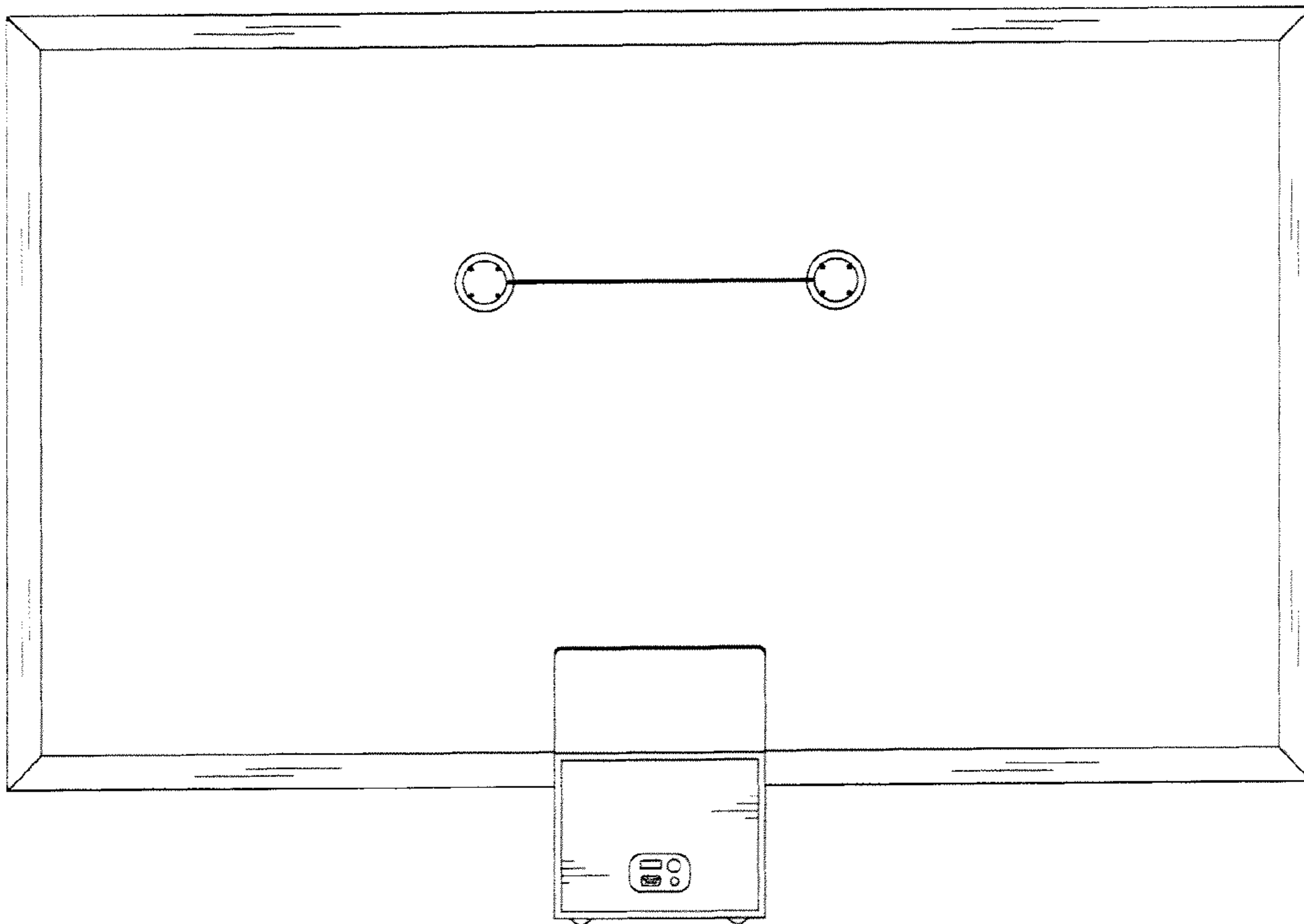


FIG. 4

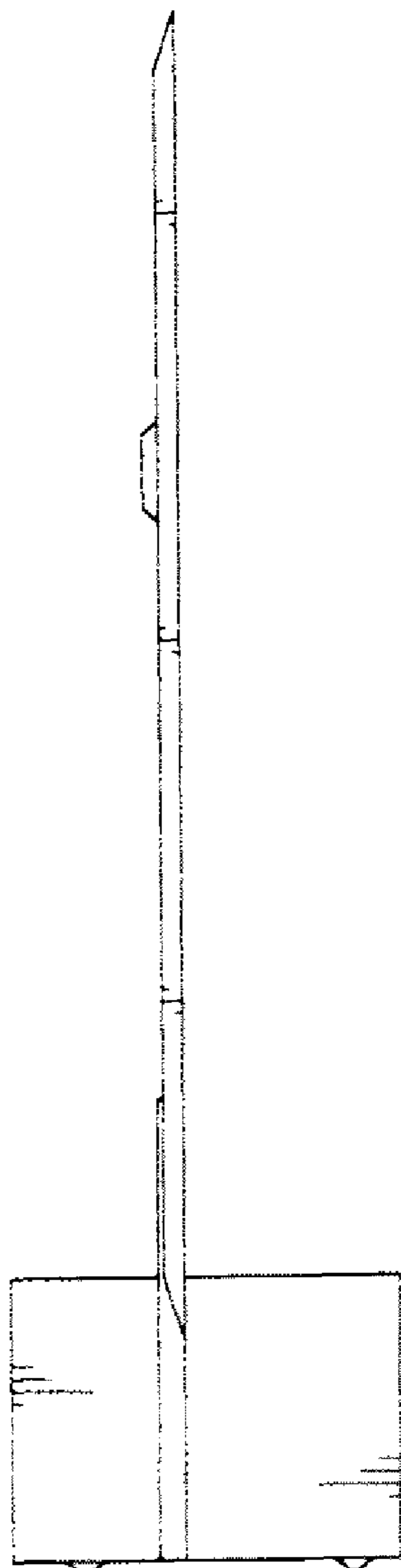


FIG. 5

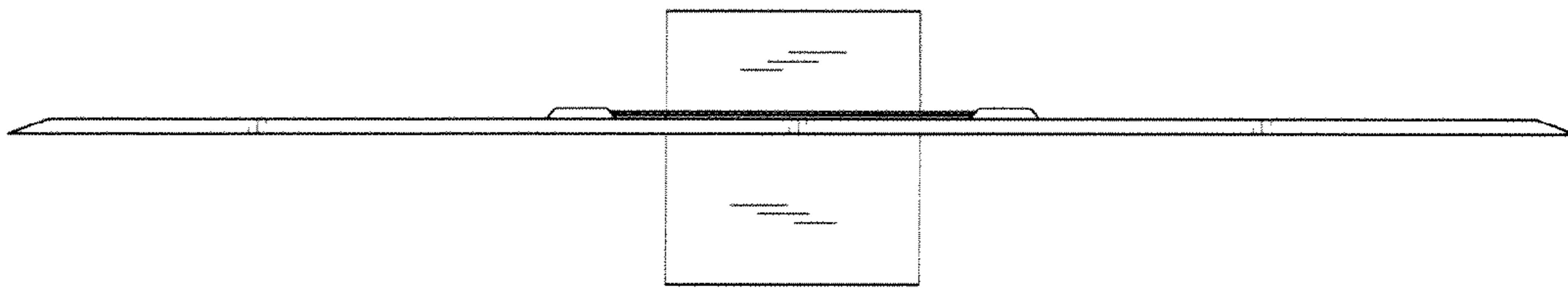


FIG. 6

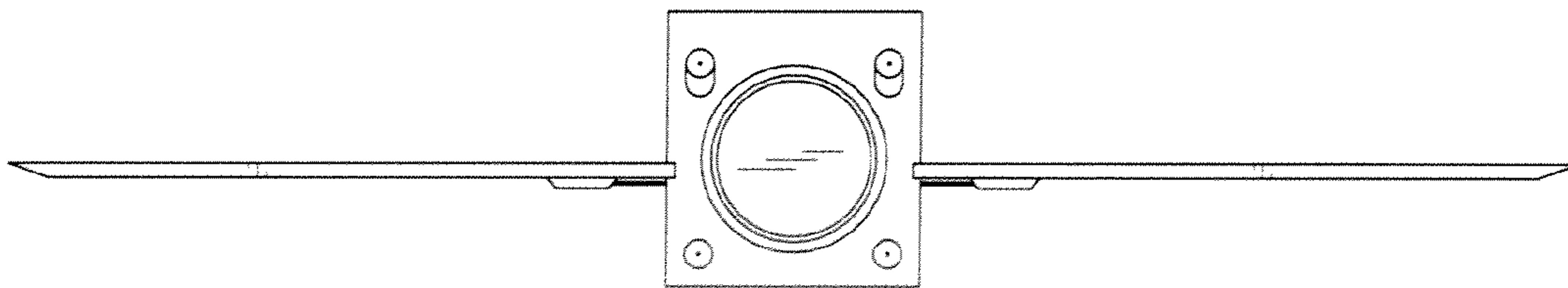


FIG. 7

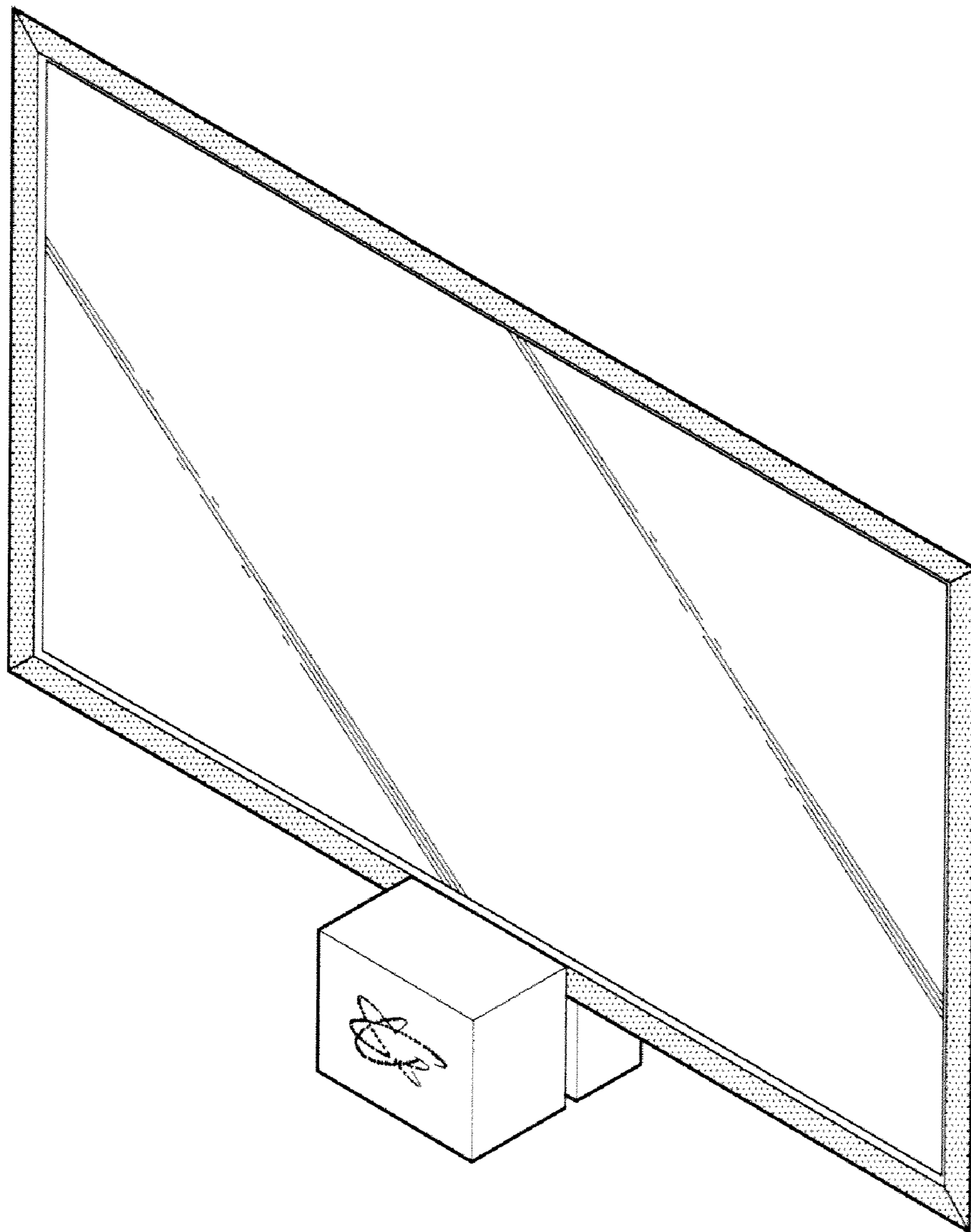


FIG. 8

