



US00D631018S

(12) **United States Design Patent**
Arazoe et al.

(10) **Patent No.:** **US D631,018 S**
(45) **Date of Patent:** **** Jan. 18, 2011**

(54) **LIGHT EMITTING DIODE CHIP**

(75) Inventors: **Naoki Arazoe**, Aichi (JP); **Toshiya Uemura**, Aichi (JP)

(73) Assignee: **Toyoda Gosei Co., Ltd.**, Kiyosu-shi, Aichi (JP)

(**) Term: **14 Years**

(21) Appl. No.: **29/347,627**

(22) Filed: **Mar. 19, 2010**

(30) **Foreign Application Priority Data**

Sep. 28, 2009 (JP) D2009-022303

(51) **LOC (9) Cl.** **13-03**

(52) **U.S. Cl.** **D13/180**

(58) **Field of Classification Search** D13/180;
D26/2, 24; 257/79, 80, 81, 88, 89, 95, 98,
257/99, 100, E33.058; 313/483, 498, 500;
362/555, 800; D9/432; D14/435; D25/138,
D25/156

See application file for complete search history.

(56) **References Cited**

U.S. PATENT DOCUMENTS

232,140	A *	9/1880	Mason	273/157 R
1,899,370	A *	2/1933	Ventimiglia	52/612
D184,396	S *	2/1959	Jenkins	D21/500
4,864,370	A *	9/1989	Gaw et al.	257/94
5,309,001	A *	5/1994	Watanabe et al.	257/99
D365,160	S *	12/1995	Tinen	D25/138
5,698,865	A *	12/1997	Gerner et al.	257/94
5,744,828	A *	4/1998	Nozaki et al.	257/94
6,091,197	A *	7/2000	Sun et al.	313/509
6,307,218	B1 *	10/2001	Steigerwald et al.	257/99
6,518,601	B2 *	2/2003	Wirth	257/98
6,720,730	B2 *	4/2004	Salam	313/499
6,847,052	B2 *	1/2005	Fan et al.	257/79
D566,056	S *	4/2008	Edmond et al.	D13/180
D578,536	S *	10/2008	Lei et al.	D14/435
7,439,550	B2 *	10/2008	Tomioka et al.	257/91
D580,888	S *	11/2008	Liu	D13/180

D582,865	S *	12/2008	Edmond et al.	D13/180
D593,968	S *	6/2009	Edmond et al.	D13/180
D596,026	S *	7/2009	Mordechai	D9/432
D599,748	S *	9/2009	Liu	D13/180
D606,949	S *	12/2009	Liu	D13/180
D616,839	S *	6/2010	Edmond et al.	D13/180
D620,460	S *	7/2010	Liu	D13/180
D620,897	S *	8/2010	Shan et al.	D13/180
7,786,498	B2 *	8/2010	Choi et al.	257/98
2007/0085089	A1 *	4/2007	Hsu	257/81

* cited by examiner

Primary Examiner—Selina Sikder

(74) *Attorney, Agent, or Firm*—McGinn IP Law Group, PLLC

(57) **CLAIM**

The ornamental design for a light emitting diode chip, as shown and described.

DESCRIPTION

FIG. 1 is a top perspective view 1 of a light emitting diode chip showing the new design;

FIG. 2 is a top perspective view 2 thereof;

FIG. 3 is a bottom perspective view thereof;

FIG. 4 is a front view thereof;

FIG. 5 is a right side view thereof;

FIG. 6 is a top plan view thereof;

FIG. 7 is a bottom view thereof;

FIG. 8 is a reference end view taken along line 8—8 in FIG. 6;

FIG. 9 is an enlarged view of a portion 9 in FIG. 8;

FIG. 10 is an enlarged view of a portion 10 in FIG. 8; and,

FIG. 11 is an enlarged view of a portion 11 in FIG. 8.

Since the rear view is identical to the front view, the rear view is omitted.

Since the left side view is identical to the right side view, the left side view is omitted.

1 Claim, 11 Drawing Sheets

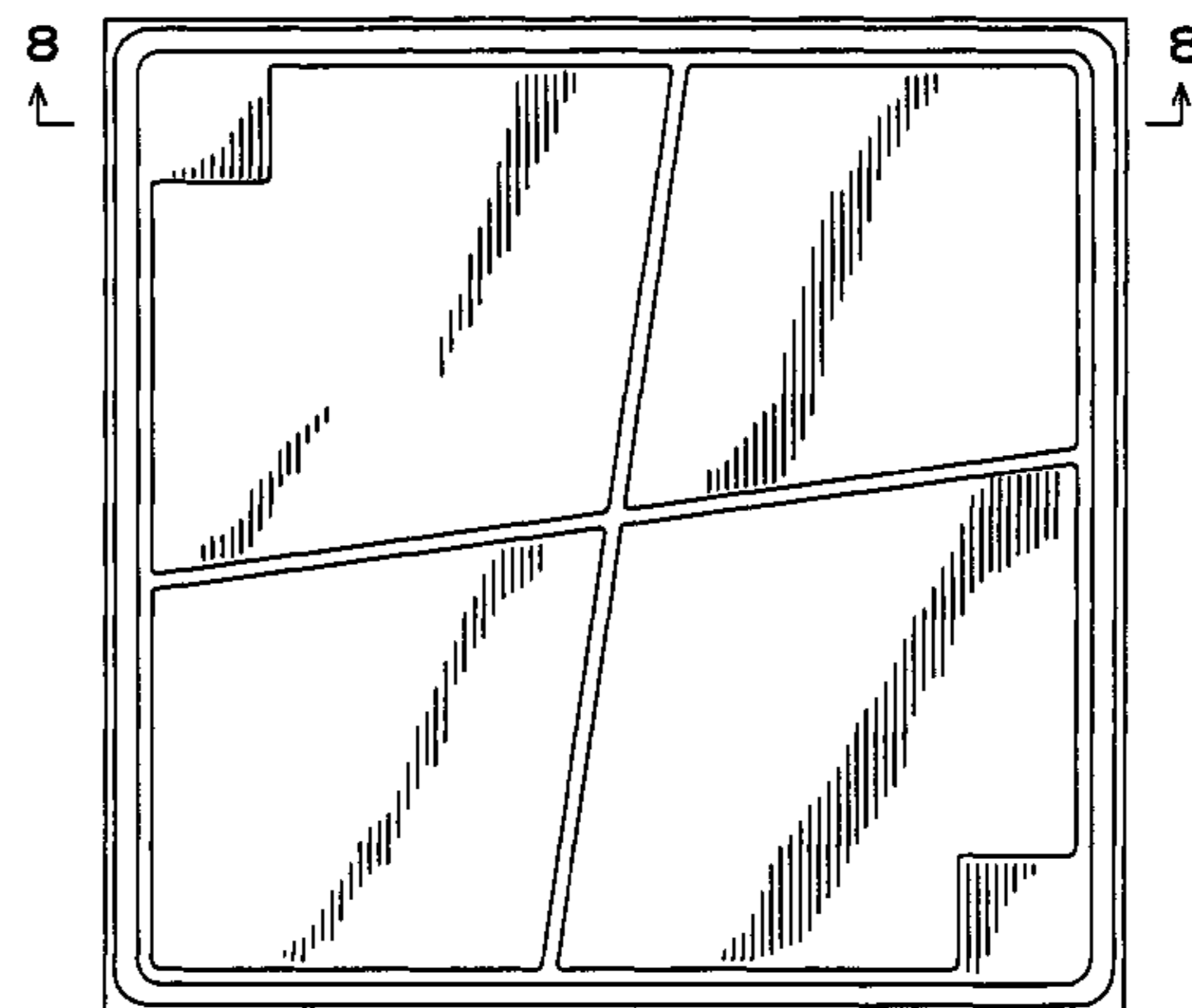
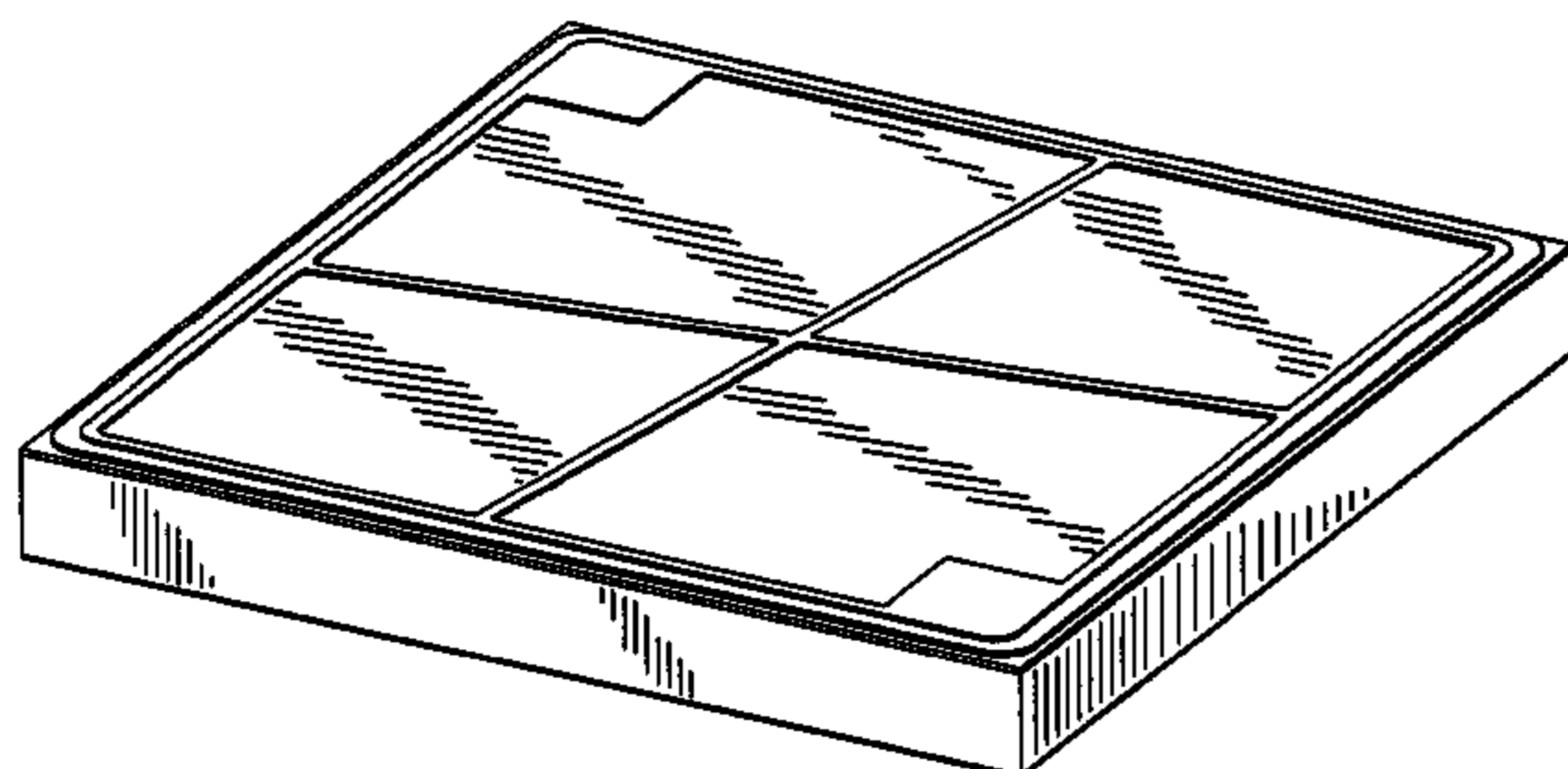


FIG. 1

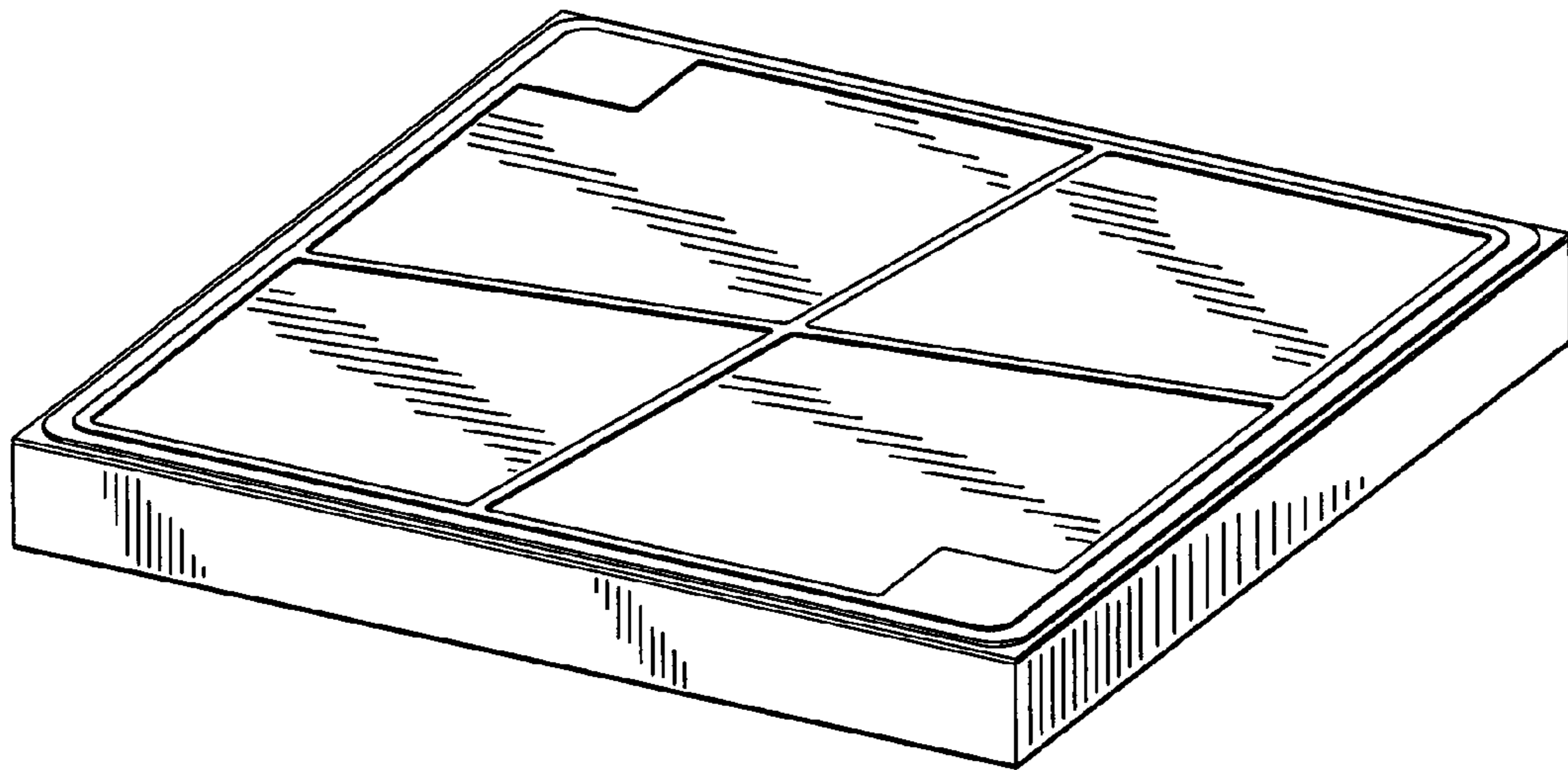


FIG. 2

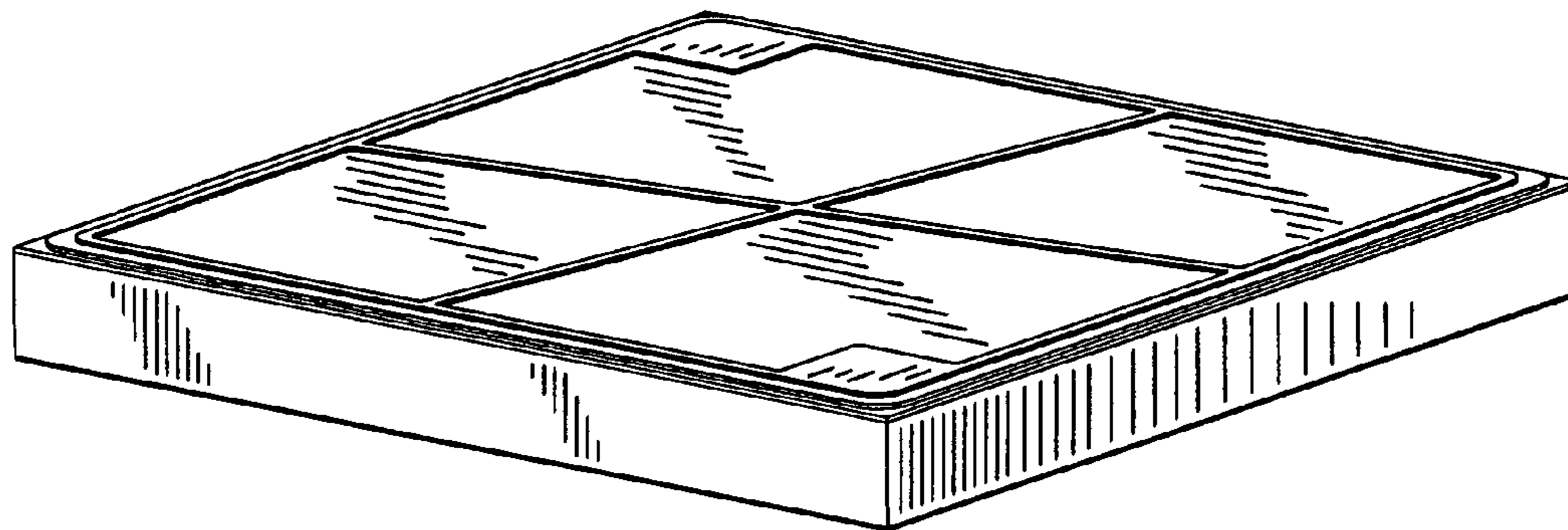


FIG. 3

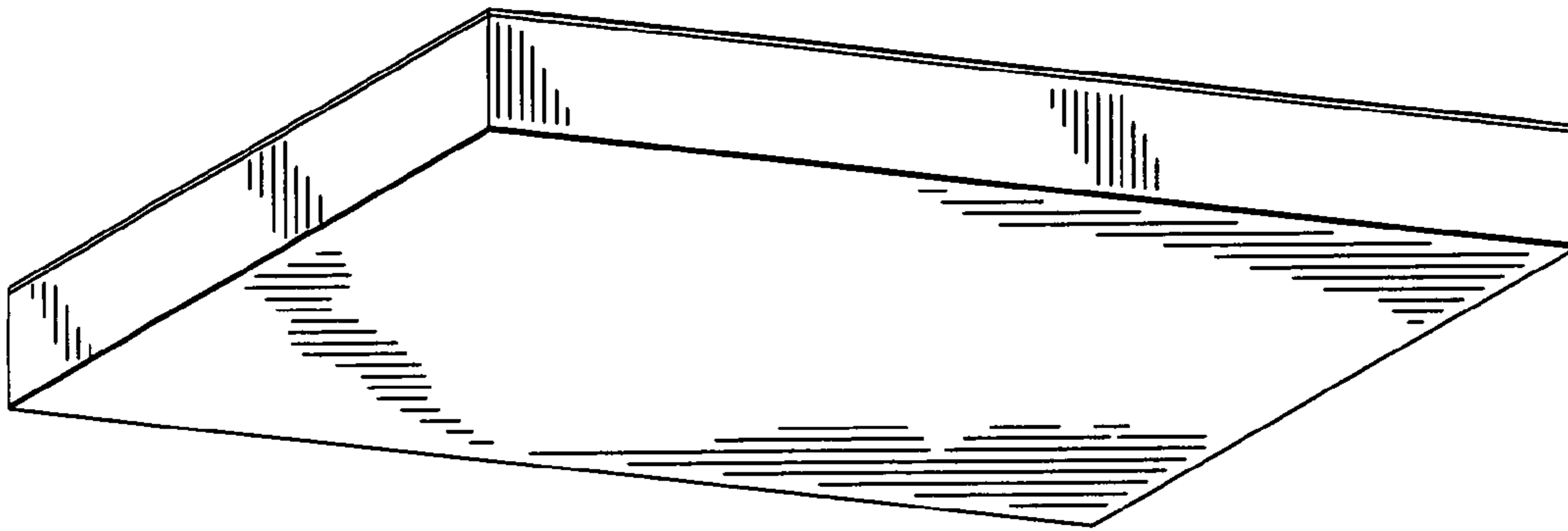


FIG. 4

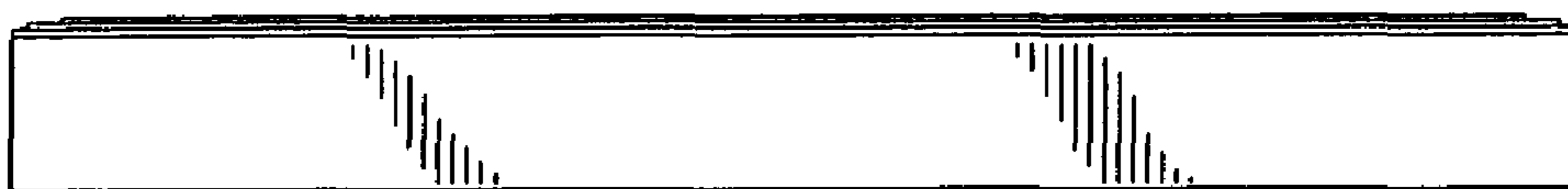


FIG. 5

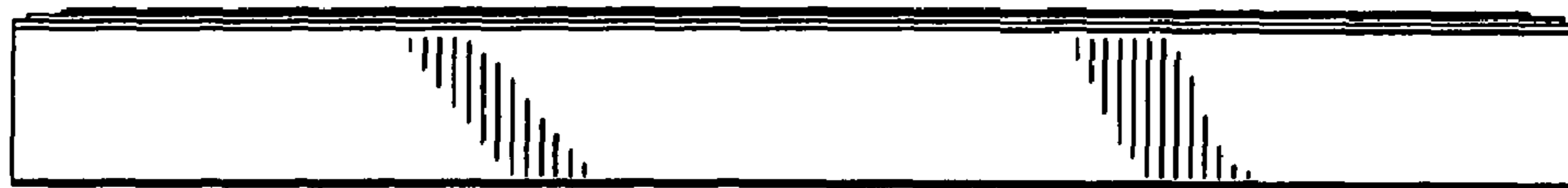


FIG. 6

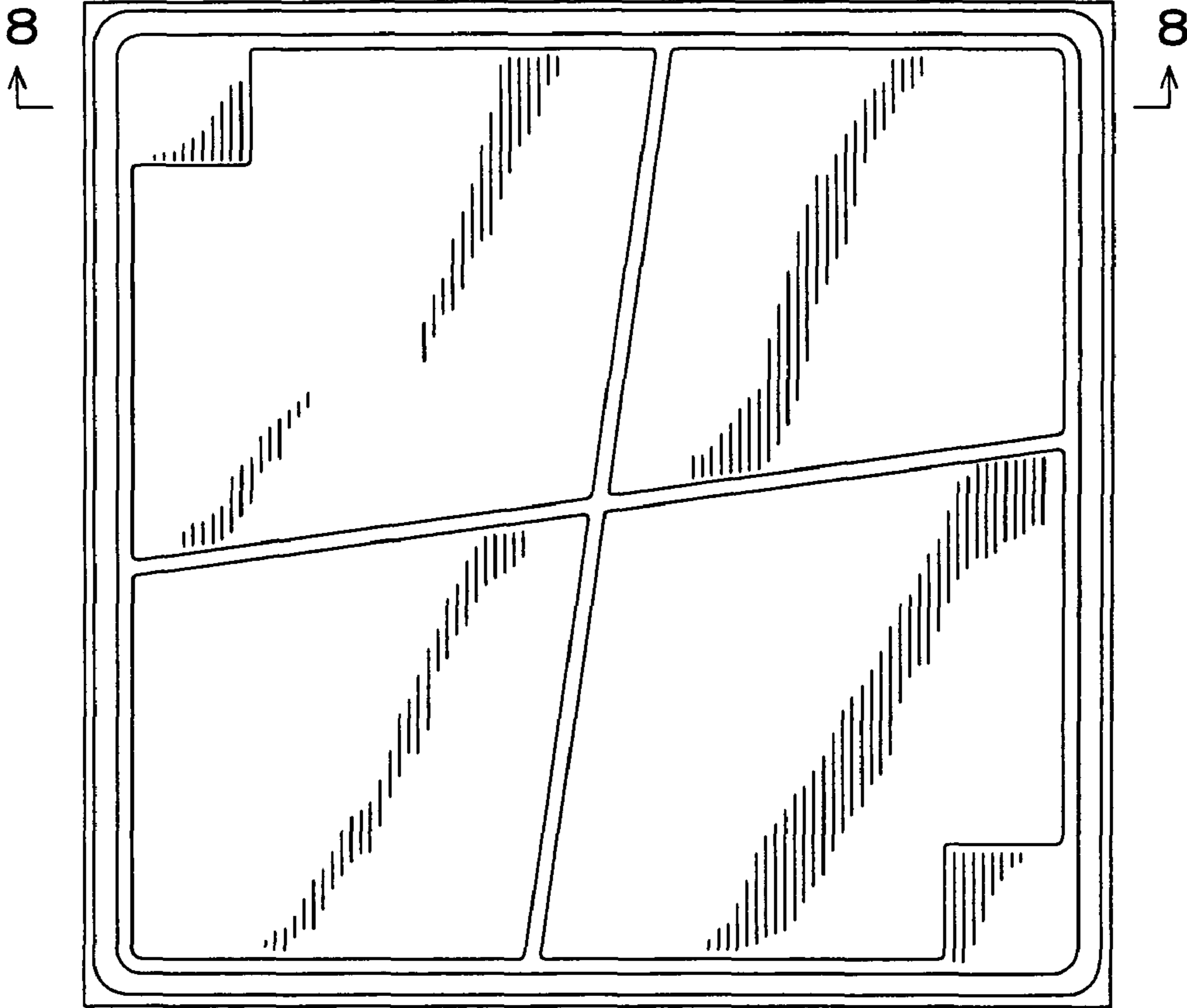


FIG. 7

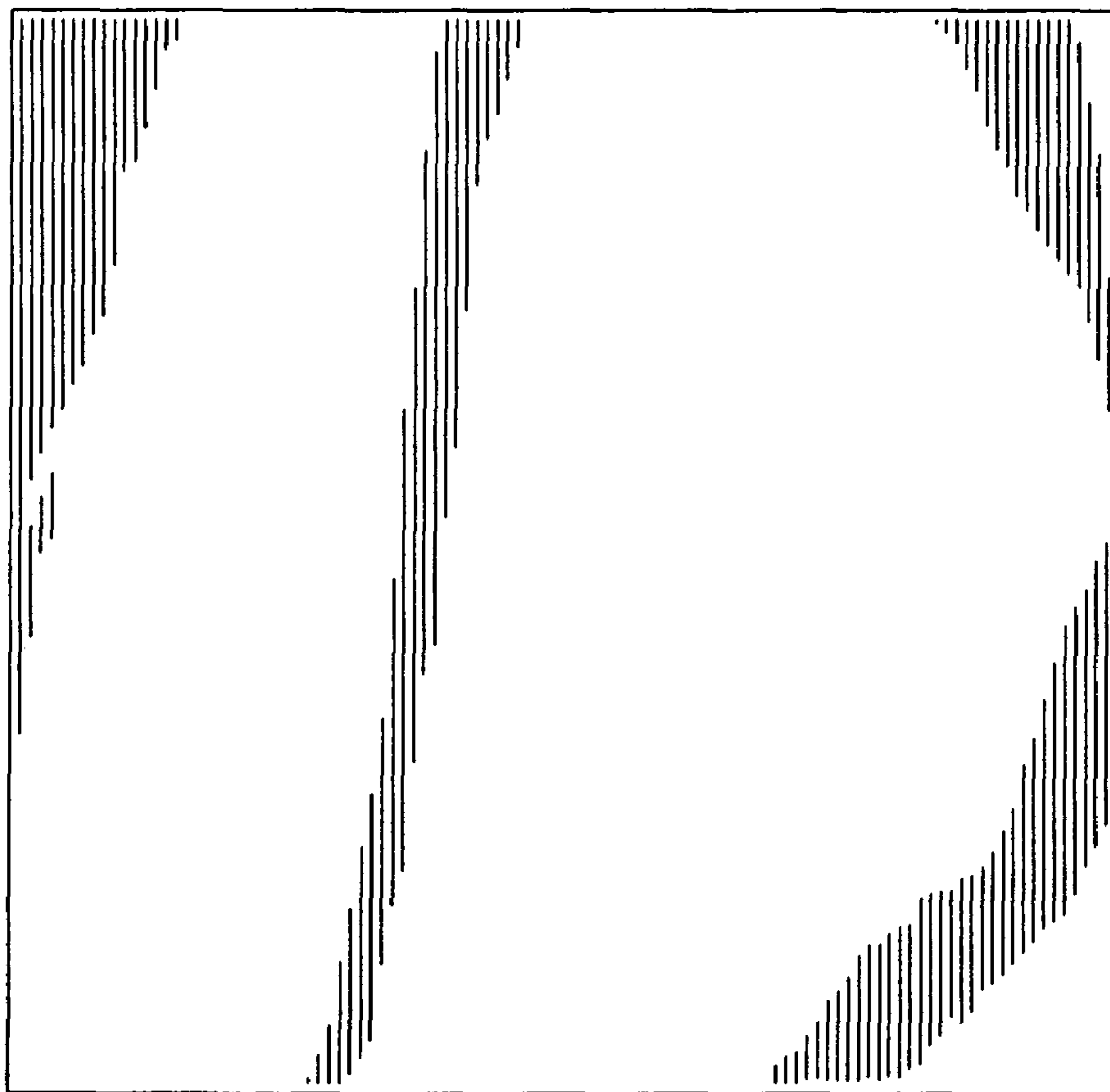


FIG. 8

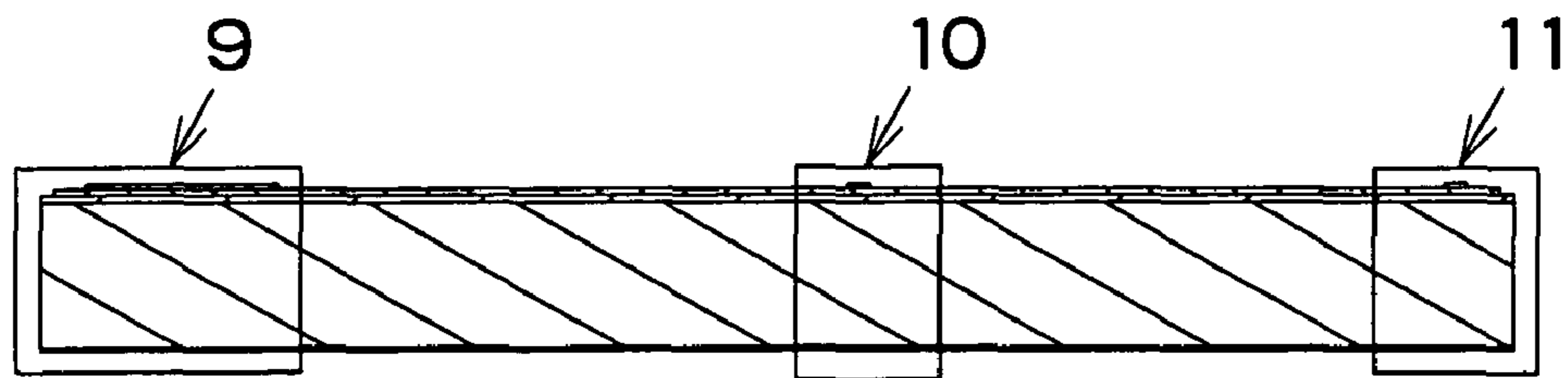


FIG. 9

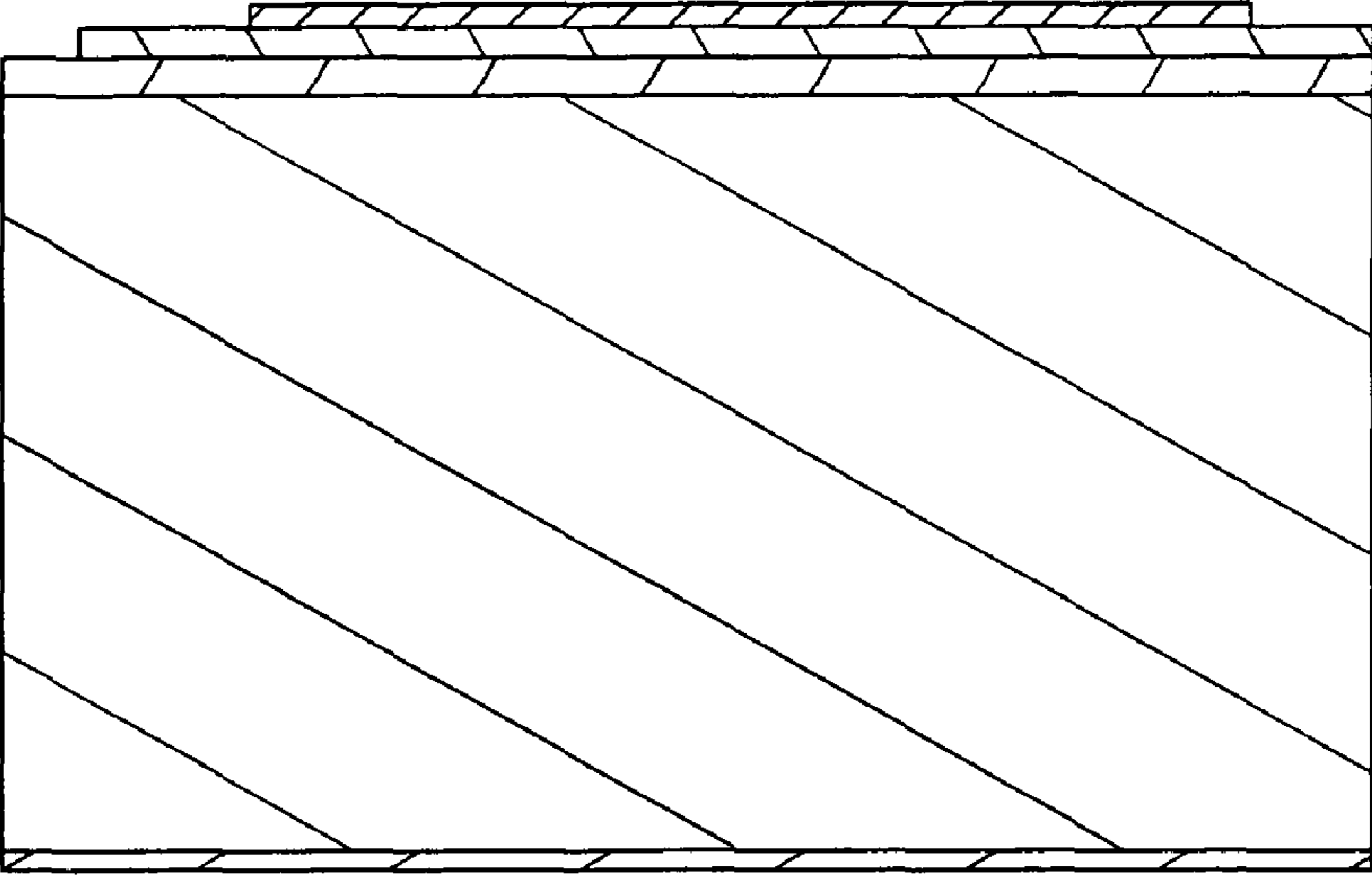


FIG. 10

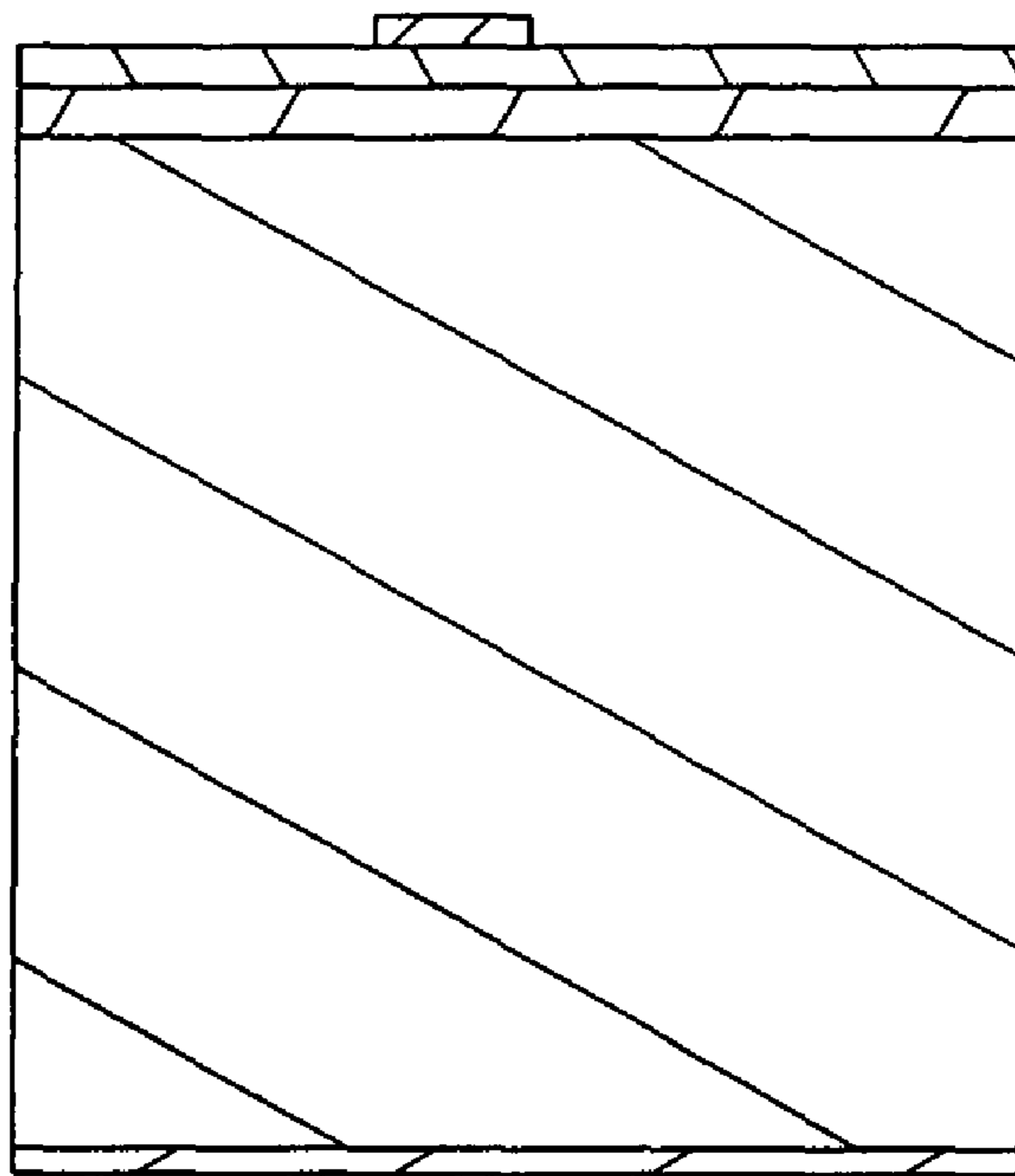


FIG. 11

