



US00D631016S

(12) **United States Design Patent**
Iijima et al.

(10) **Patent No.:** **US D631,016 S**
(45) **Date of Patent:** **** Jan. 18, 2011**

(54) **ELECTRICAL CONNECTOR**

(75) Inventors: **Satoshi Iijima**, Tokyo (JP); **Keisuke Sato**, Tokyo (JP)

(73) Assignee: **Honda Tsushin Kogyo Co., Ltd.**, Tokyo (JP)

(**) Term: **14 Years**

(21) Appl. No.: **29/357,259**

(22) Filed: **Mar. 10, 2010**

(30) **Foreign Application Priority Data**

Nov. 5, 2009 (JP) D2009-025875

(51) **LOC (9) Cl.** **13-03**

(52) **U.S. Cl.** **D13/147**

(58) **Field of Classification Search** D13/133,
D13/146-147, 154, 184; 439/352, 354, 357,
439/374, 607.01, 607.04, 607.05, 607.17,
439/607.25, 607.34, 607.41, 607.53, 637-638,
439/660, 680

See application file for complete search history.

(56) **References Cited**

U.S. PATENT DOCUMENTS

D314,752 S * 2/1991 Maejima et al. D13/147
D326,644 S * 6/1992 Moriai et al. D13/147

D415,107 S * 10/1999 Avery et al. D13/147
D459,309 S * 6/2002 Tanaka D13/147
D593,952 S * 6/2009 Derksen et al. D13/147
D606,941 S * 12/2009 Iijima D13/147

* cited by examiner

Primary Examiner—Daniel D Bui

(74) *Attorney, Agent, or Firm*—Wenderoth, Lind & Ponack, LLP.

(57) **CLAIM**

The ornamental design for an electrical connector, as shown and described.

DESCRIPTION

FIG. 1 is a top, front and right side perspective view of an electrical connector showing our new design;

FIG. 2 is a top, rear and left side of perspective view thereof;

FIG. 3 is a front elevational view thereof;

FIG. 4 is a rear elevational view thereof;

FIG. 5 is a top plan view thereof;

FIG. 6 is a bottom plan view thereof;

FIG. 7 is a right side elevational view thereof; and,

FIG. 8 is a sectional view thereof, taken along lines 8—8 in FIG. 3.

1 Claim, 4 Drawing Sheets

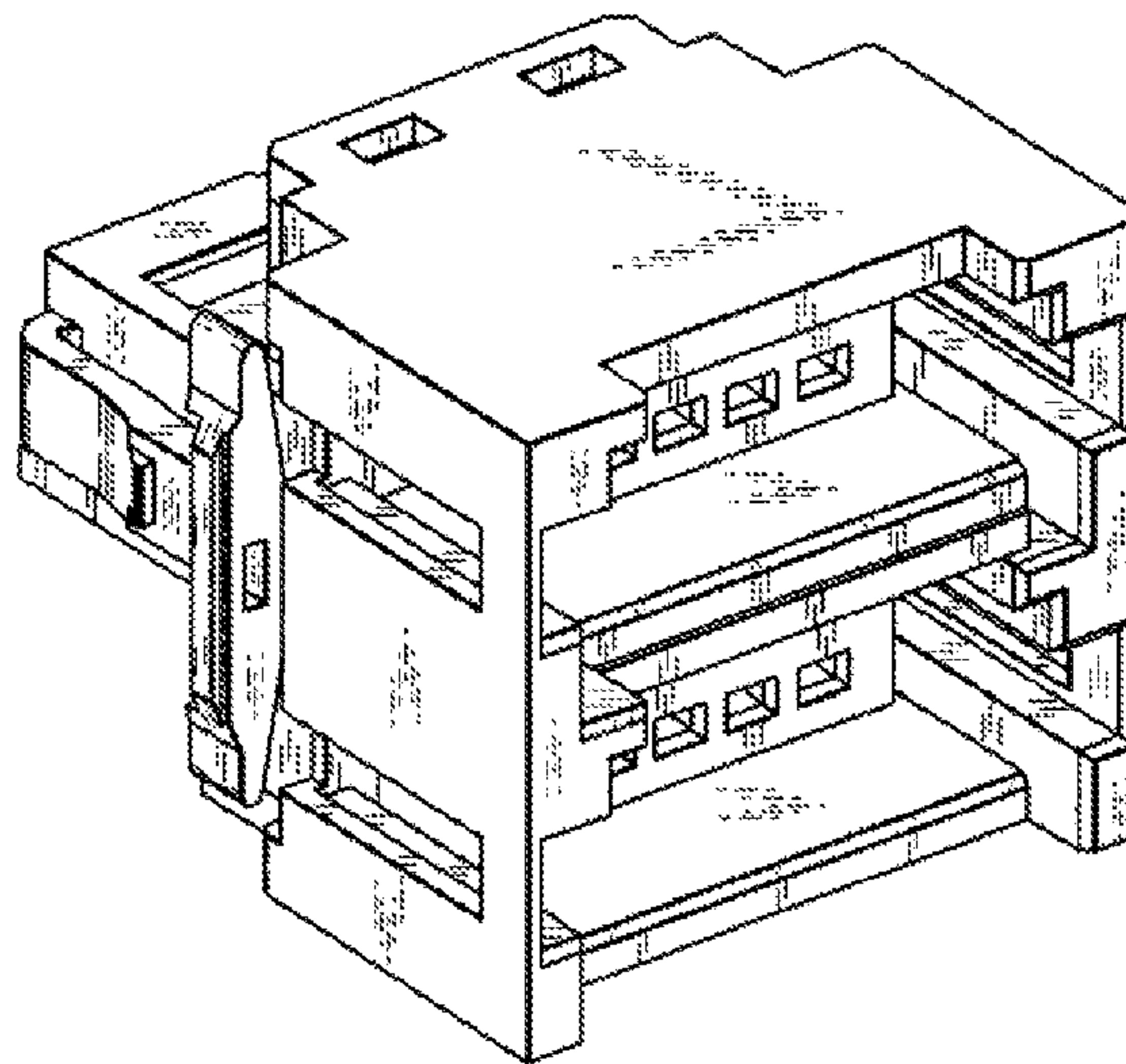
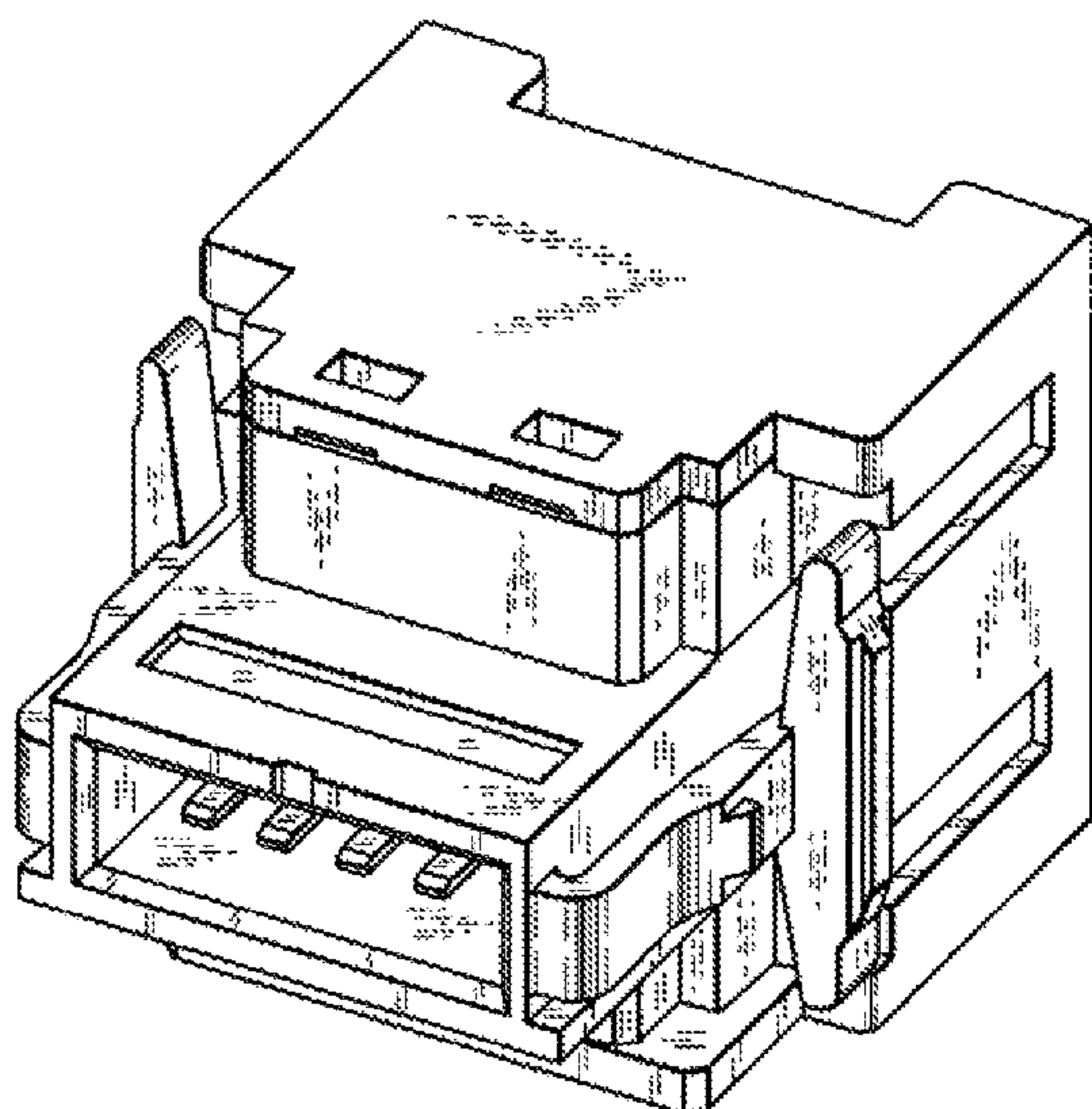


Fig. 1

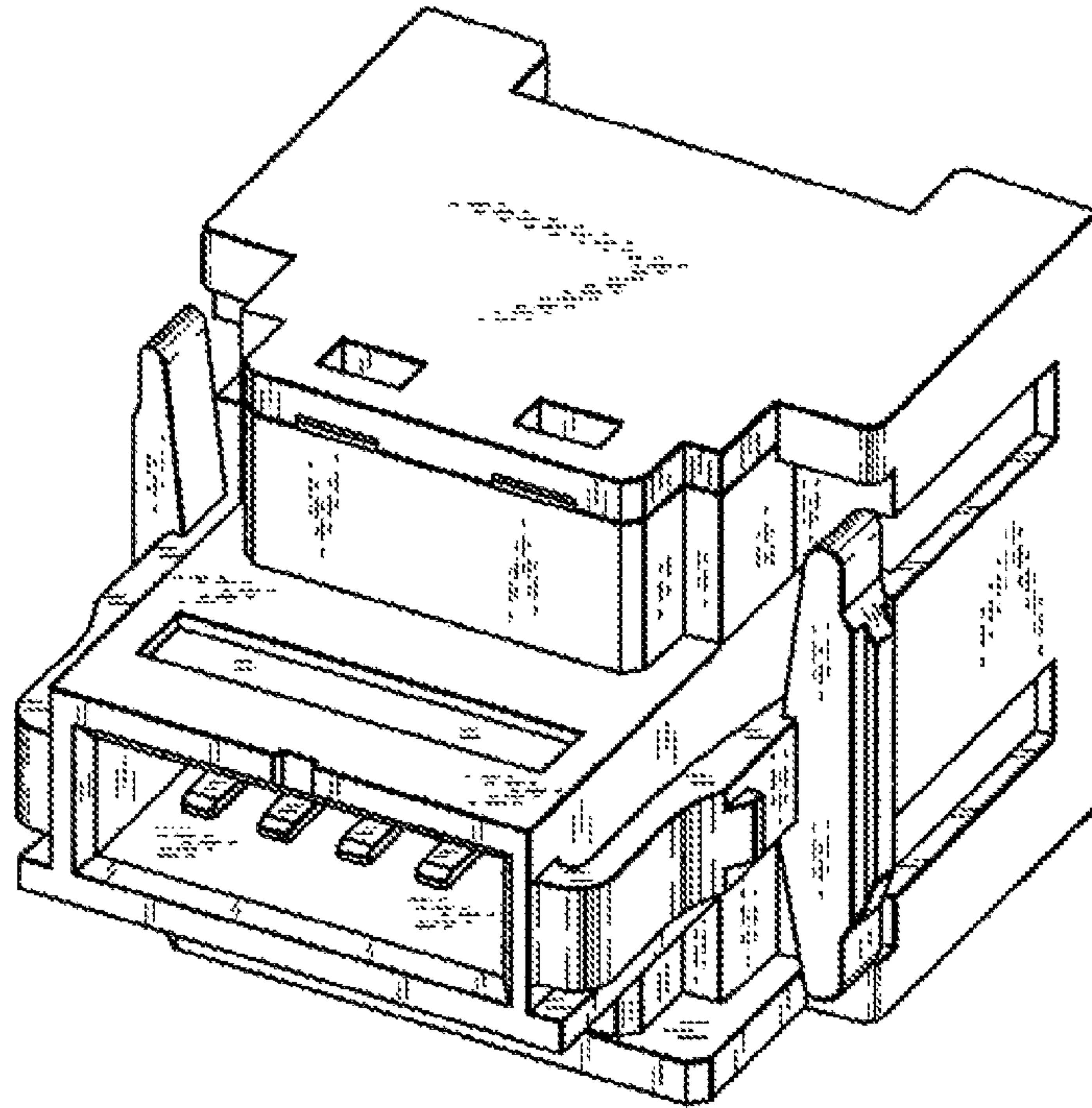


Fig. 2

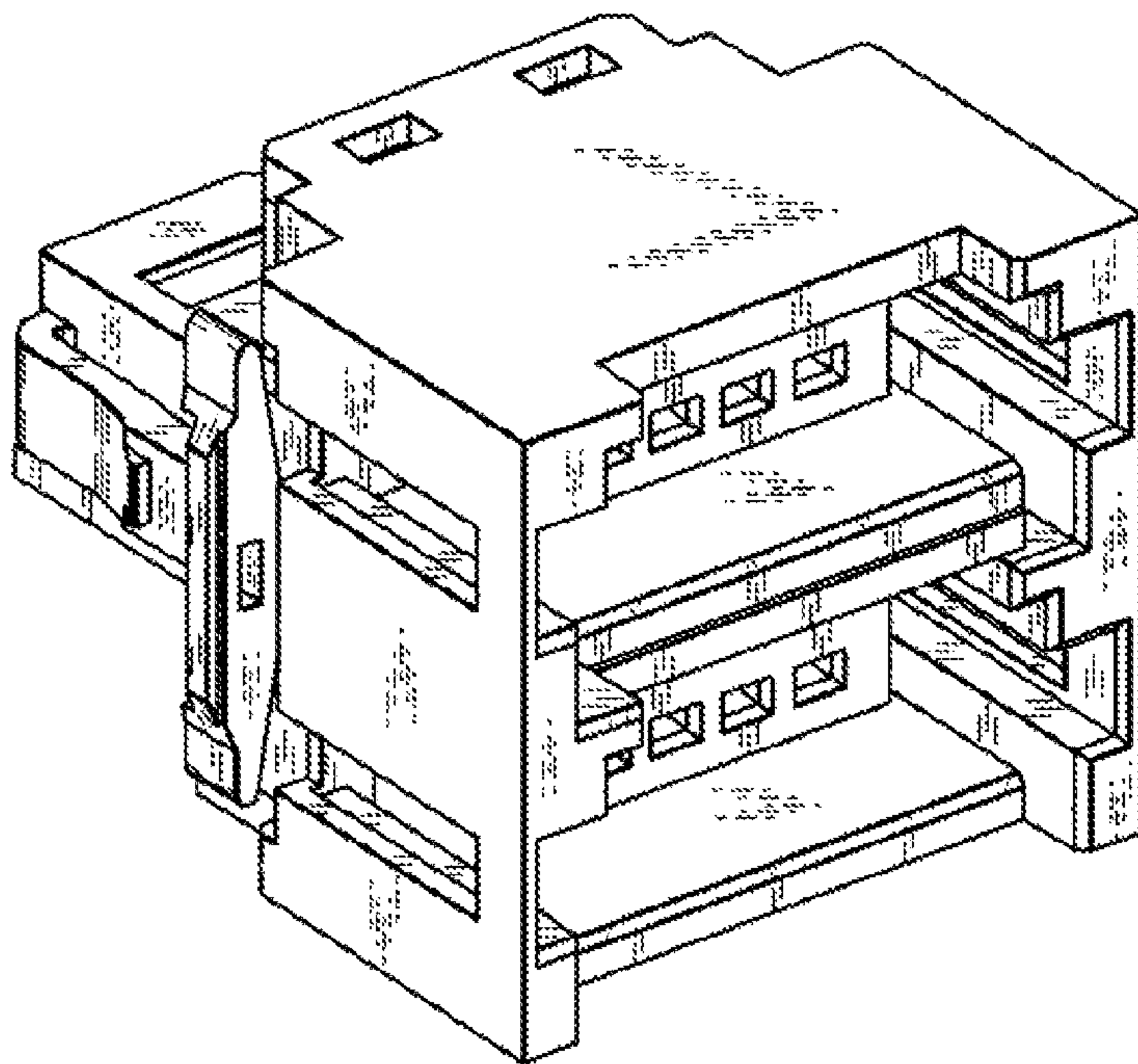


Fig. 3

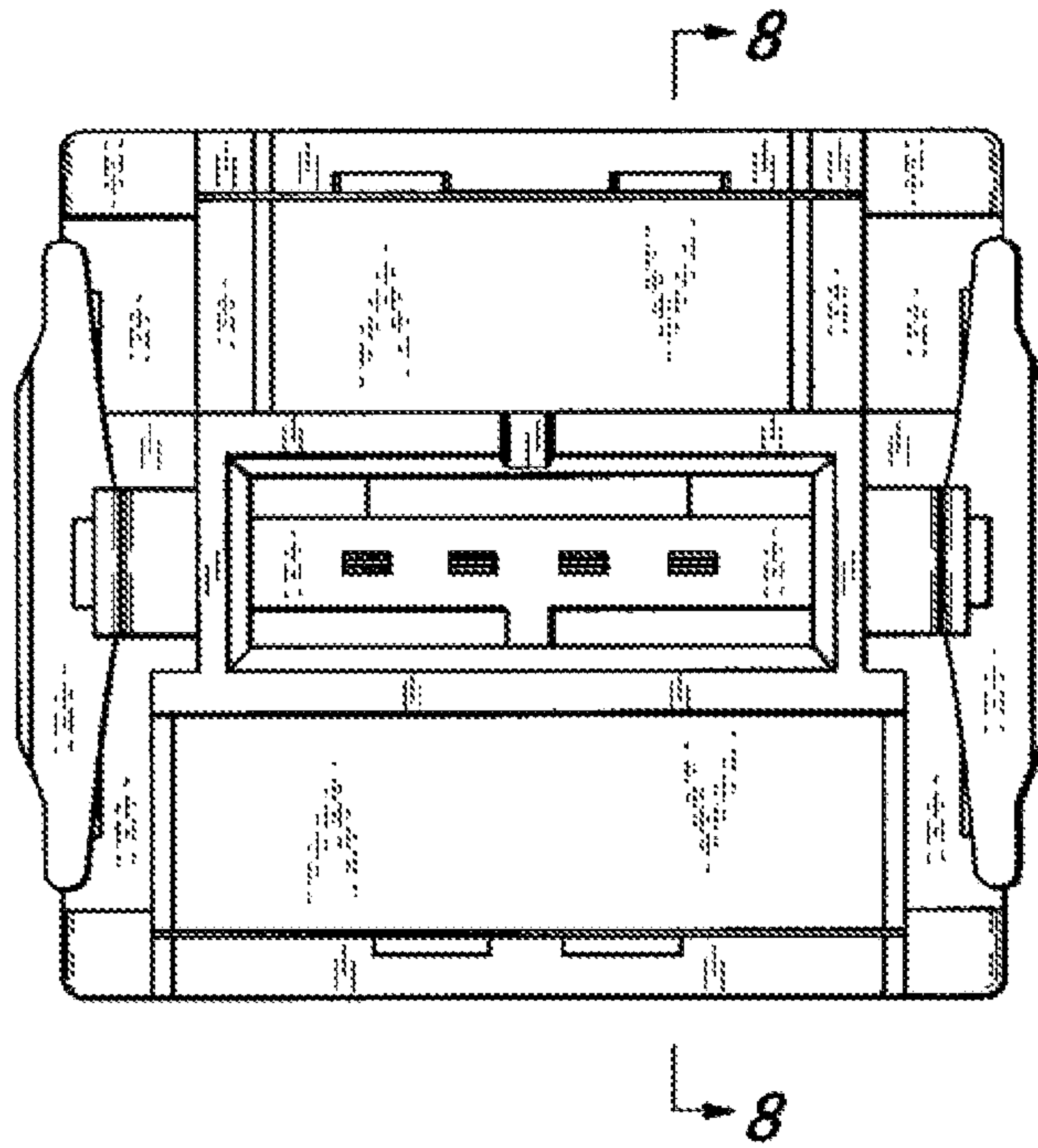


Fig. 4

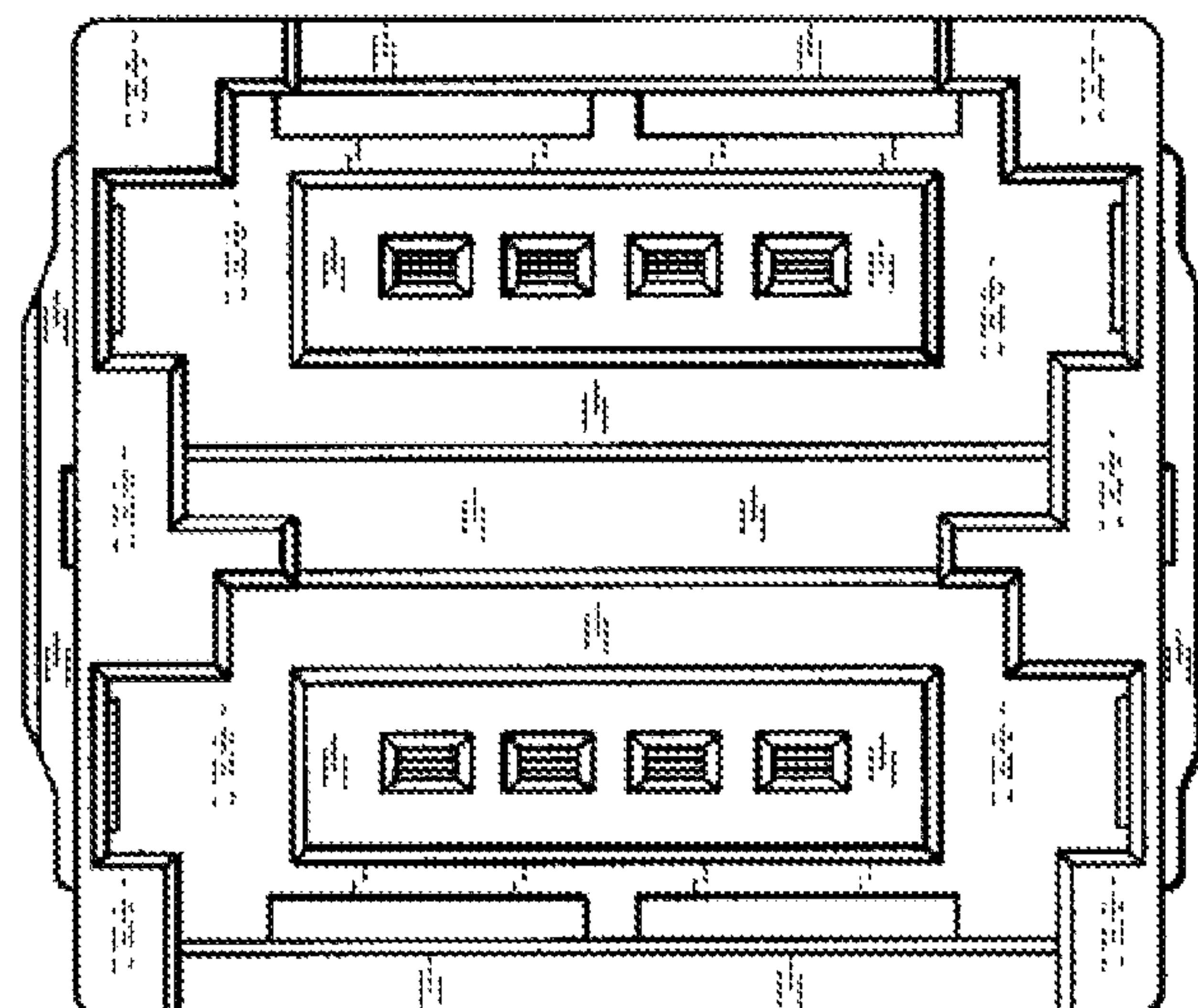


Fig. 5

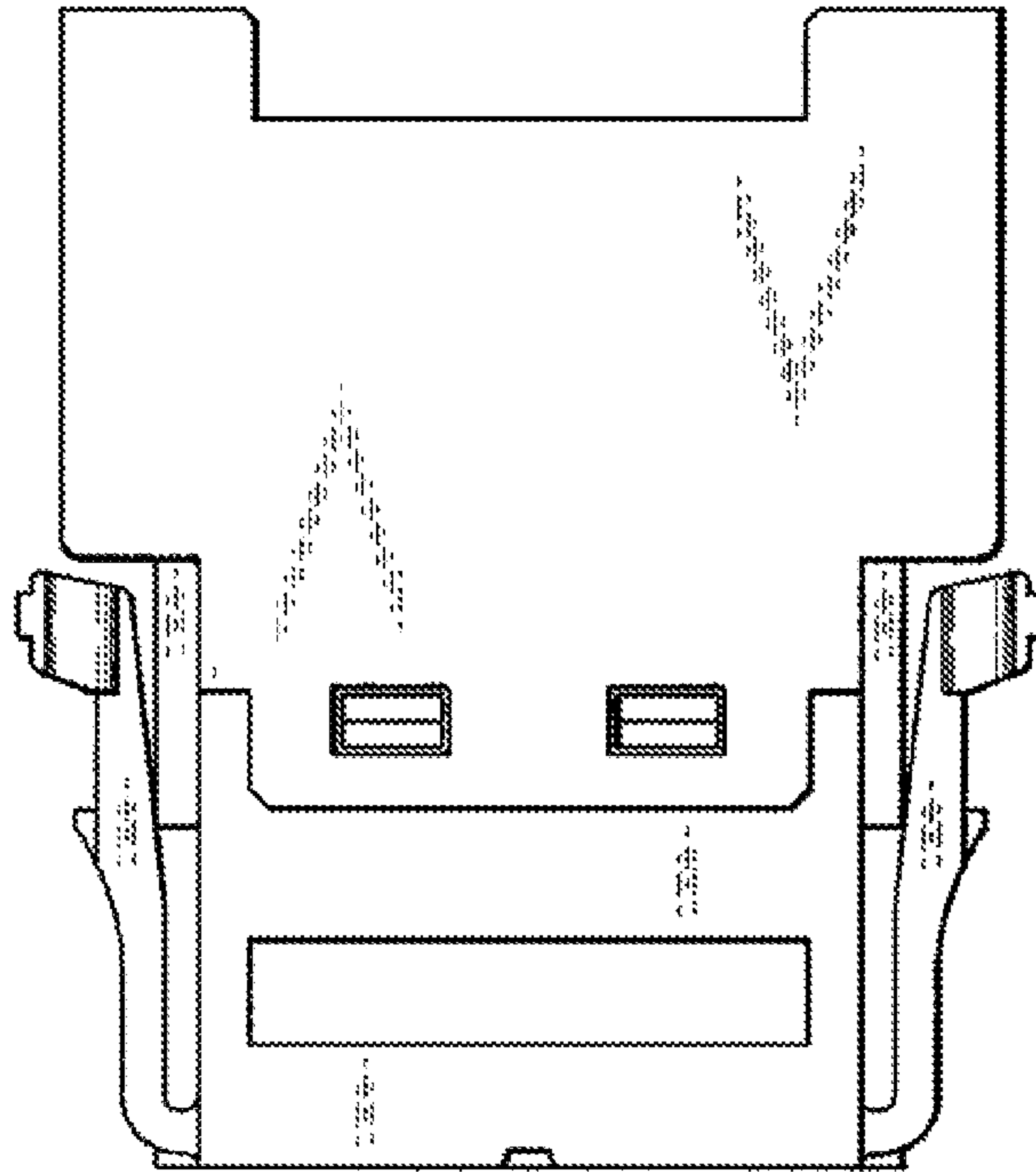


Fig. 6

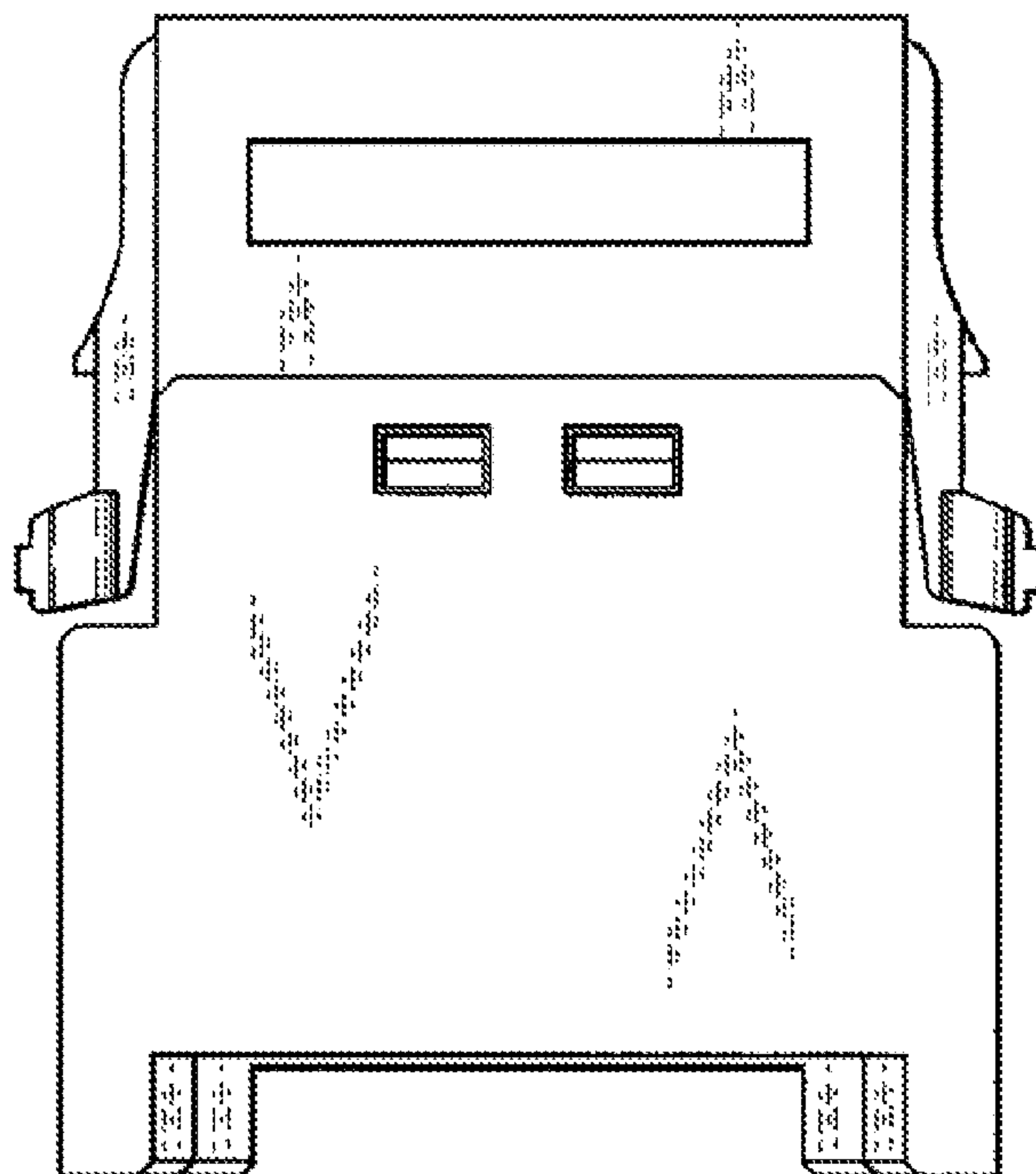


Fig. 7

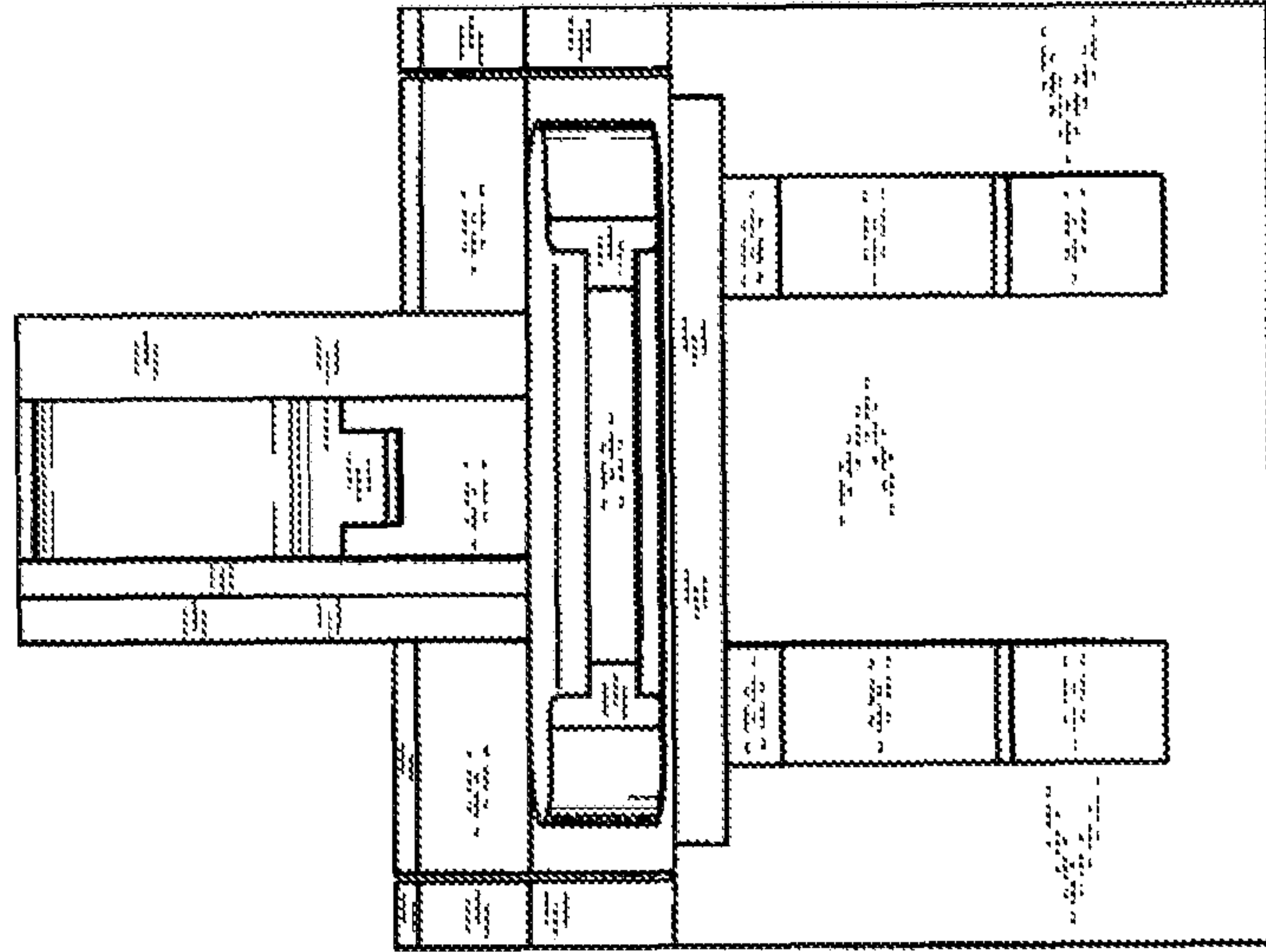


Fig. 8

