



US00D631015S

(12) **United States Design Patent**  
**Iijima et al.**

(10) **Patent No.:** **US D631,015 S**  
(45) **Date of Patent:** **\*\* Jan. 18, 2011**

(54) **ELECTRICAL CONNECTOR**

(75) Inventors: **Satoshi Iijima**, Tokyo (JP); **Keisuke Sato**, Tokyo (JP)

(73) Assignee: **Honda Tsushin Kogyo Co., Ltd.**, Osaka (JP)

(\*\*) Term: **14 Years**

(21) Appl. No.: **29/357,257**

(22) Filed: **Mar. 10, 2010**

(30) **Foreign Application Priority Data**

Nov. 5, 2009 (JP) ..... D2009-025874

(51) **LOC (9) Cl.** ..... **13-03**

(52) **U.S. Cl.** ..... **D13/147**

(58) **Field of Classification Search** ..... D13/133,  
D13/146-147, 154, 184; 439/352, 354, 357,  
439/374, 607.01, 607.04, 607.05, 607.17,  
439/607.25, 607.34, 607.41, 607.53, 637-638,  
439/660, 680

See application file for complete search history.

(56) **References Cited**

**U.S. PATENT DOCUMENTS**

D314,752 S \* 2/1991 Maejima et al. .... D13/147  
D326,644 S \* 6/1992 Moriai et al. .... D13/147

D415,107 S \* 10/1999 Avery et al. .... D13/147  
D459,309 S \* 6/2002 Tanaka ..... D13/147  
D593,952 S \* 6/2009 Derksen et al. .... D13/147  
D606,941 S \* 12/2009 Iijima ..... D13/147

\* cited by examiner

*Primary Examiner*—Daniel D Bui

(74) *Attorney, Agent, or Firm*—Wenderoth, Lind & Ponack, LLP.

(57) **CLAIM**

The ornamental design for an electrical connector, as shown and described.

**DESCRIPTION**

FIG. 1 is a top, front and right side perspective view of an electrical connector showing our new design;

FIG. 2 is a top, rear and left side perspective view thereof;

FIG. 3 is a front elevational view thereof;

FIG. 4 is a rear elevational view thereof;

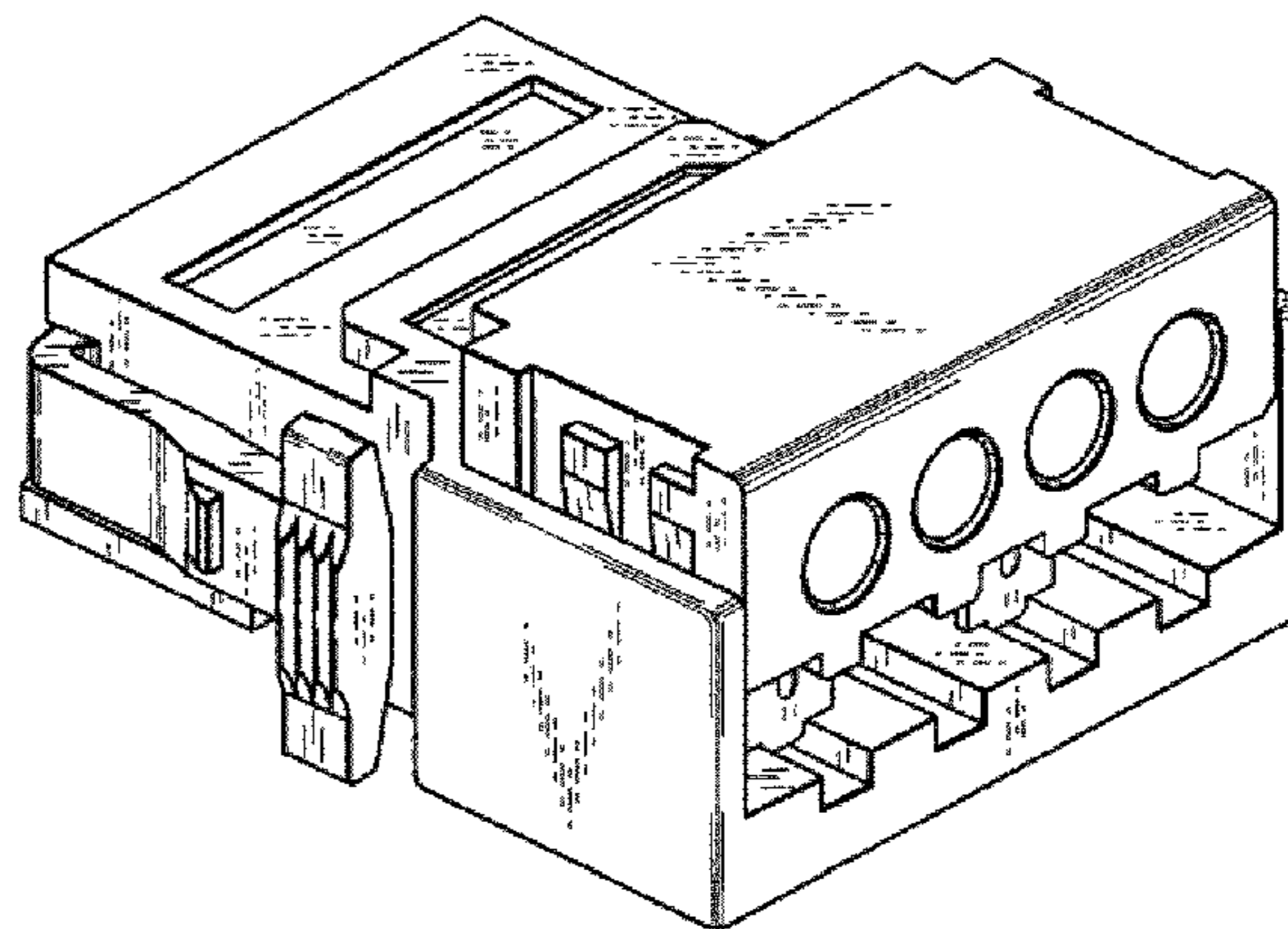
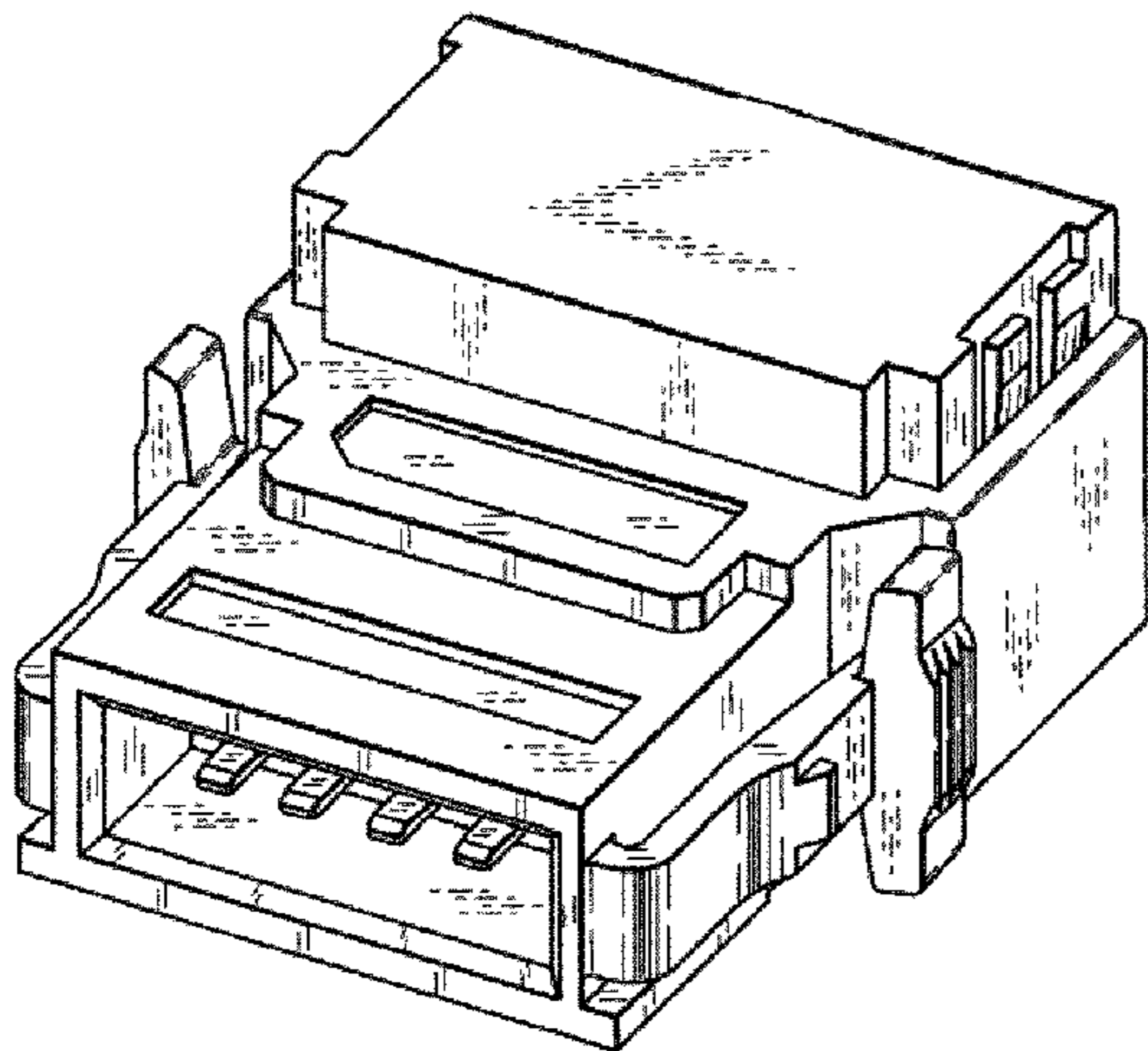
FIG. 5 is a top plan view thereof;

FIG. 6 is a bottom plan view thereof;

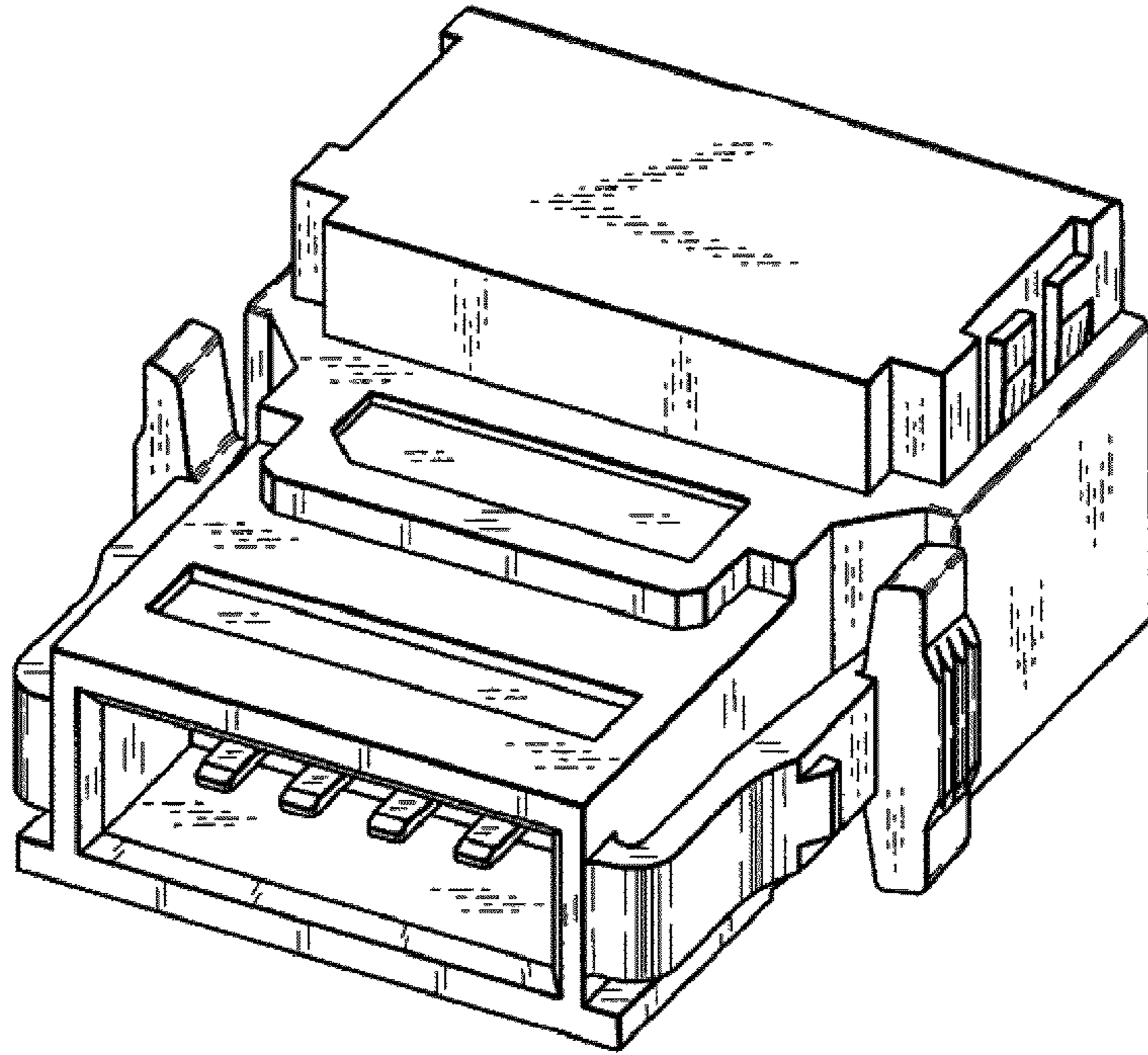
FIG. 7 is a right side elevational view thereof; and,

FIG. 8 is a sectional view thereof, taken along line 8—8 in FIG. 3.

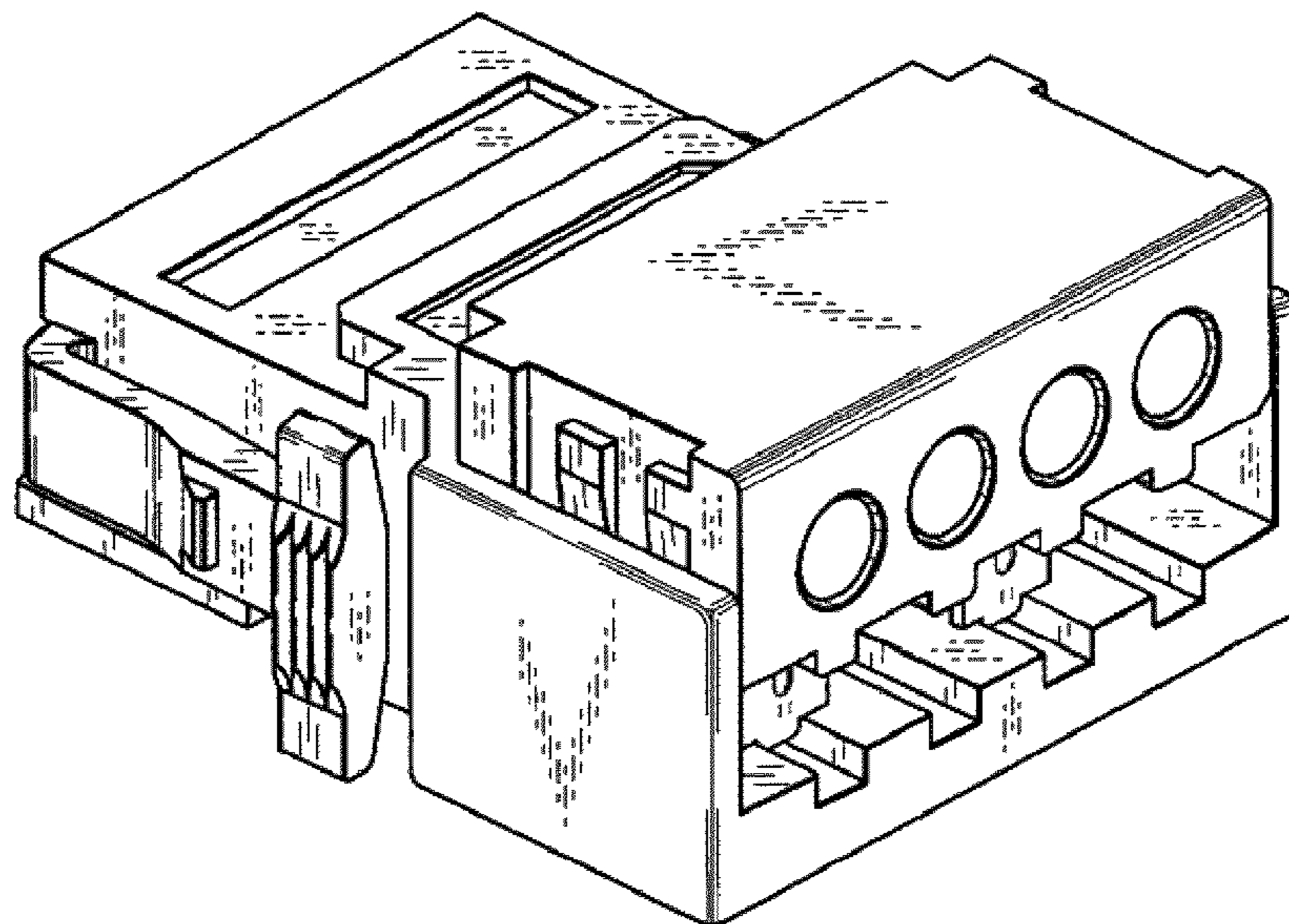
**1 Claim, 4 Drawing Sheets**



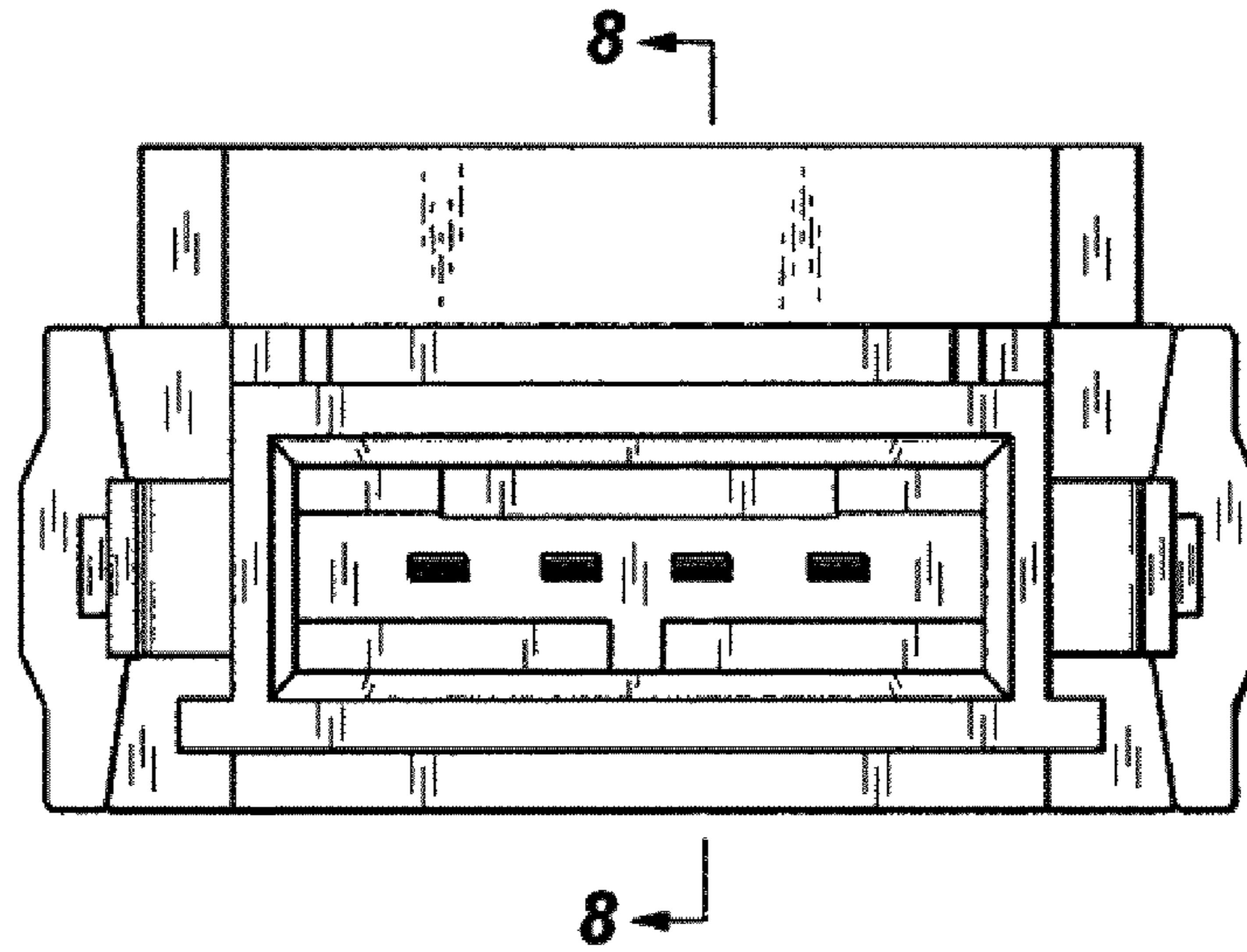
*Fig. 1*



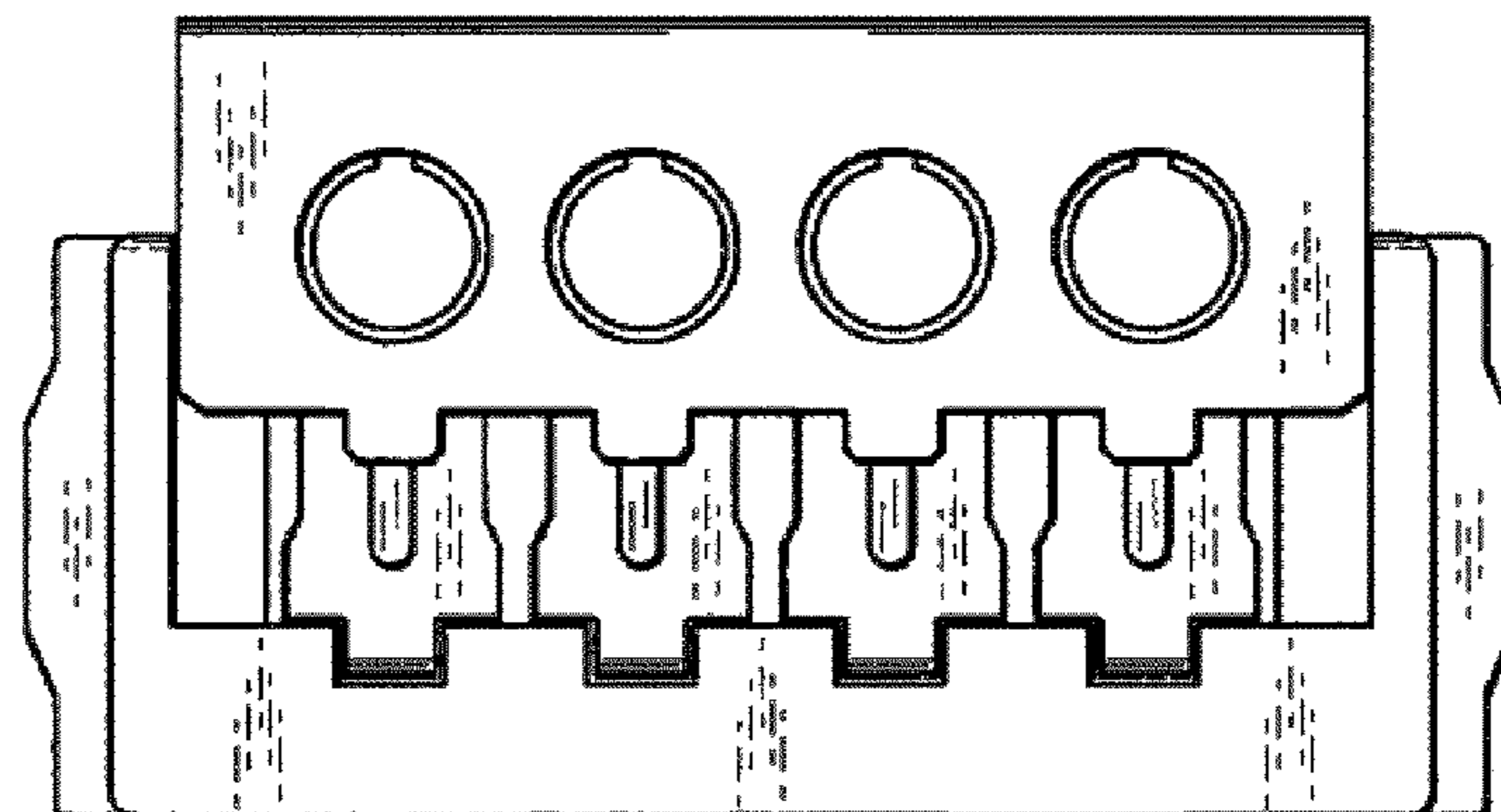
*Fig. 2*



*Fig. 3*

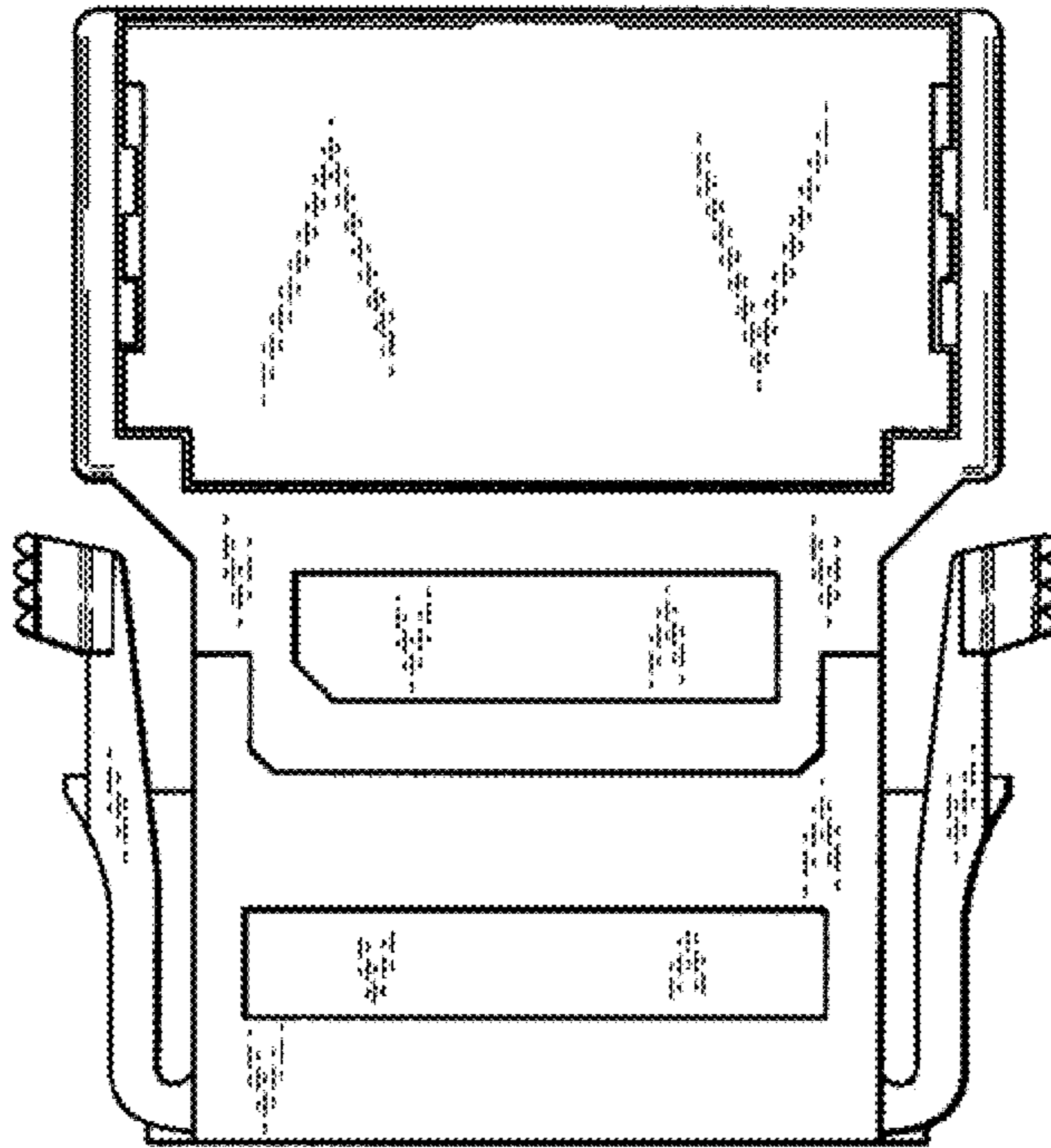


*Fig. 4*

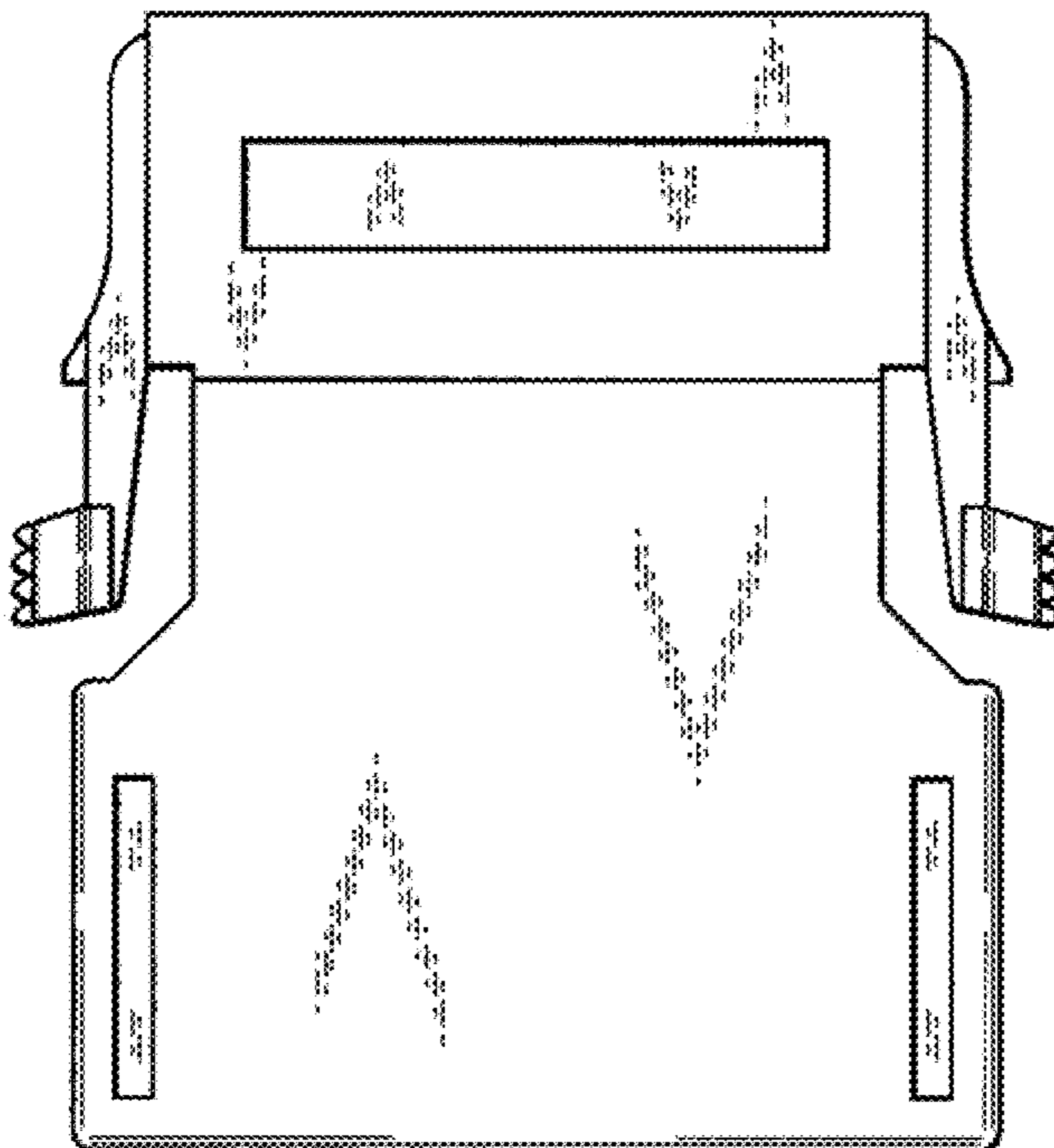




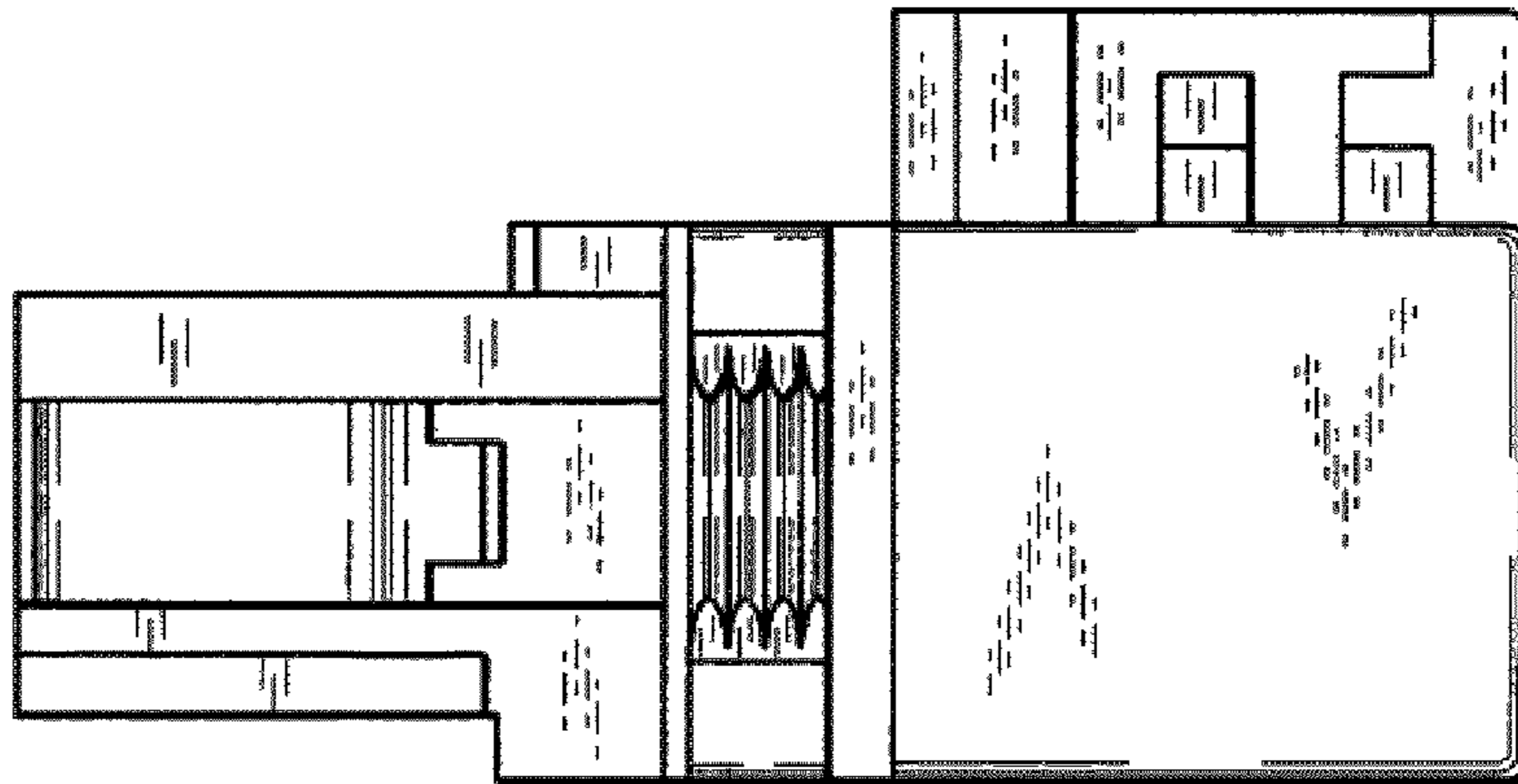
*Fig. 5*



*Fig. 6*



*Fig. 7*



*Fig. 8*

