



US00D631012S

(12) **United States Design Patent**  
**Denpouya**

(10) **Patent No.:** **US D631,012 S**  
(45) **Date of Patent:** **\*\* Jan. 18, 2011**

(54) **ELECTRICAL CONNECTOR**  
(75) Inventor: **Ikuo Denpouya**, Tokyo (JP)  
(73) Assignee: **Hirose Electric Co., Ltd.**, Tokyo (JP)  
(\*\*) Term: **14 Years**  
(21) Appl. No.: **29/257,885**  
(22) Filed: **Apr. 13, 2006**

*Primary Examiner*—Daniel D Bui  
(74) *Attorney, Agent, or Firm*—Kubotera & Associates, LLC

(57) **CLAIM**

The ornamental design for an electrical connector, as shown and described.

(51) **LOC (9) Cl.** ..... **13-03**  
(52) **U.S. Cl.** ..... **D13/133; D13/146**  
(58) **Field of Classification Search** ..... D13/133,  
D13/146–147, 154, 184; 439/358, 660, 694,  
439/881, 885, 902  
See application file for complete search history.

**DESCRIPTION**

FIG. 1 is a top, front and right side perspective view of an electrical connector showing my new design;  
FIG. 2 is a front elevational view thereof;  
FIG. 3 is a sectional view taken along line 3—3 of FIG. 2;  
FIG. 4 is a top plan view thereof;  
FIG. 5 is a right-hand side elevational view thereof, a left-hand side elevational view being an mirror image thereof;  
FIG. 6 is a rear elevational view thereof; and,  
FIG. 7 is a bottom plan view thereof.

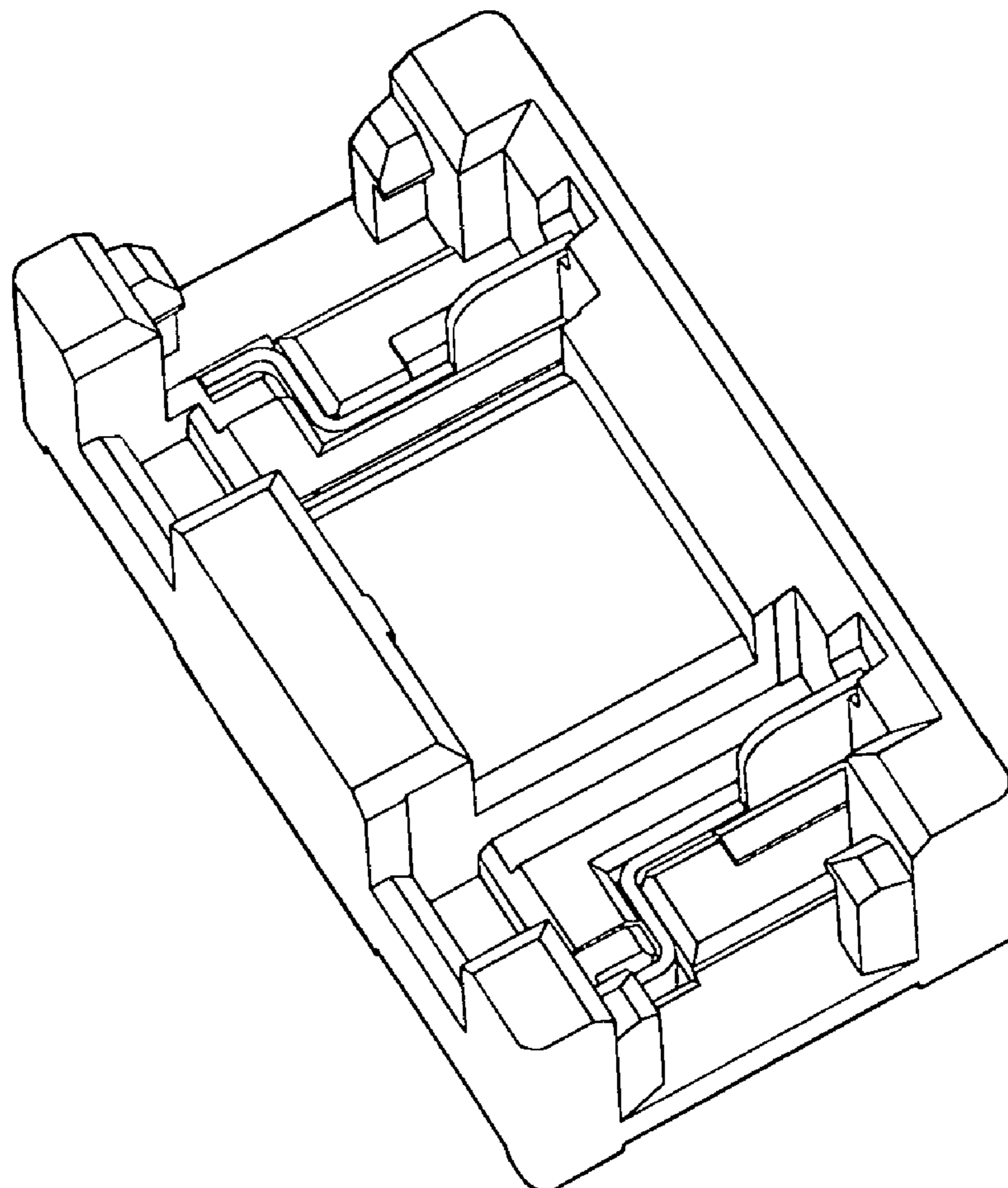
(56) **References Cited**

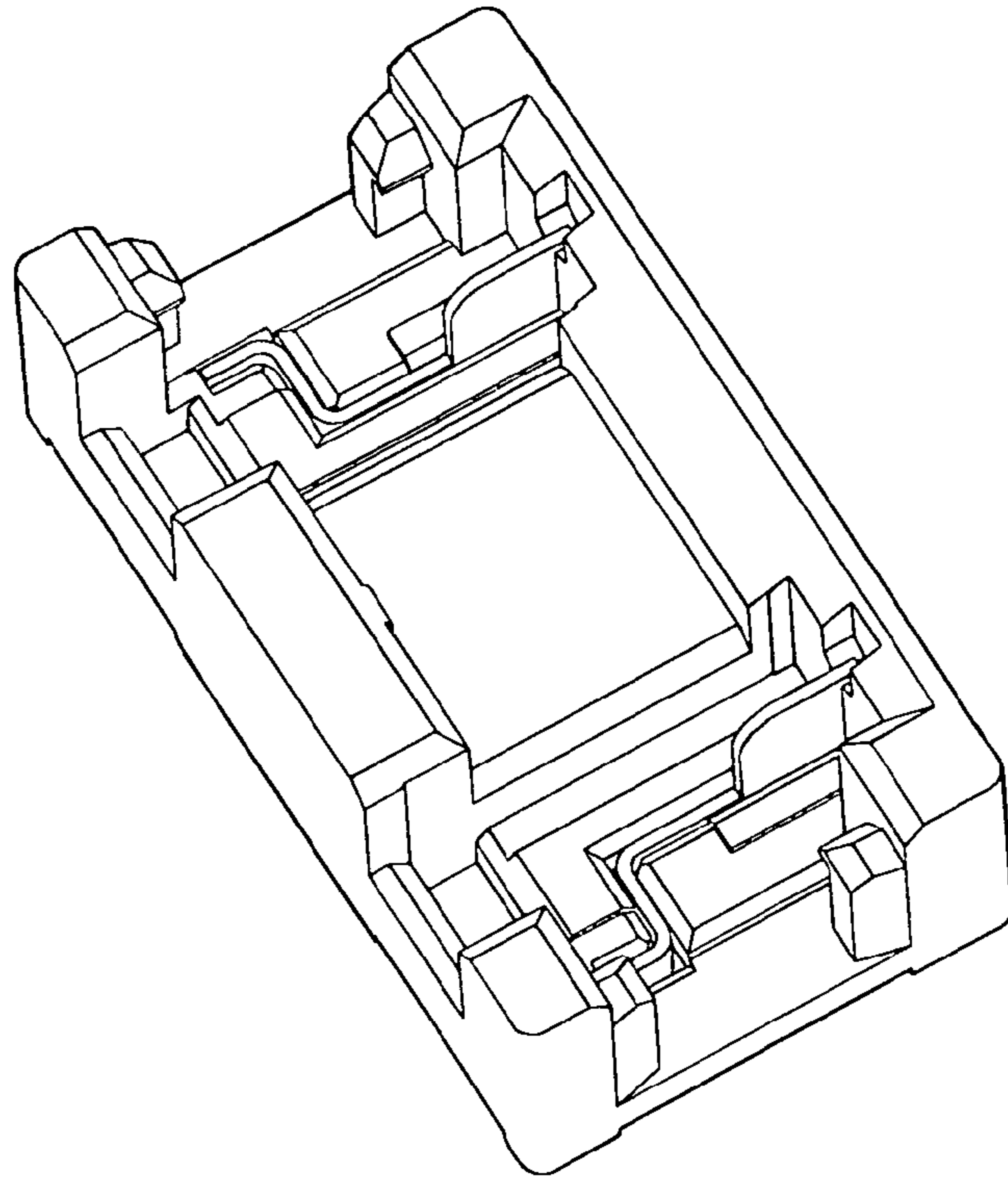
**U.S. PATENT DOCUMENTS**

6,457,997	B1 *	10/2002	Fan	.....	439/660
7,303,444	B2 *	12/2007	Denpouya	.....	439/660
2006/0270283	A1 *	11/2006	Kumazawa et al.	.....	439/676
2007/0123088	A1 *	5/2007	Denpouya	.....	439/329

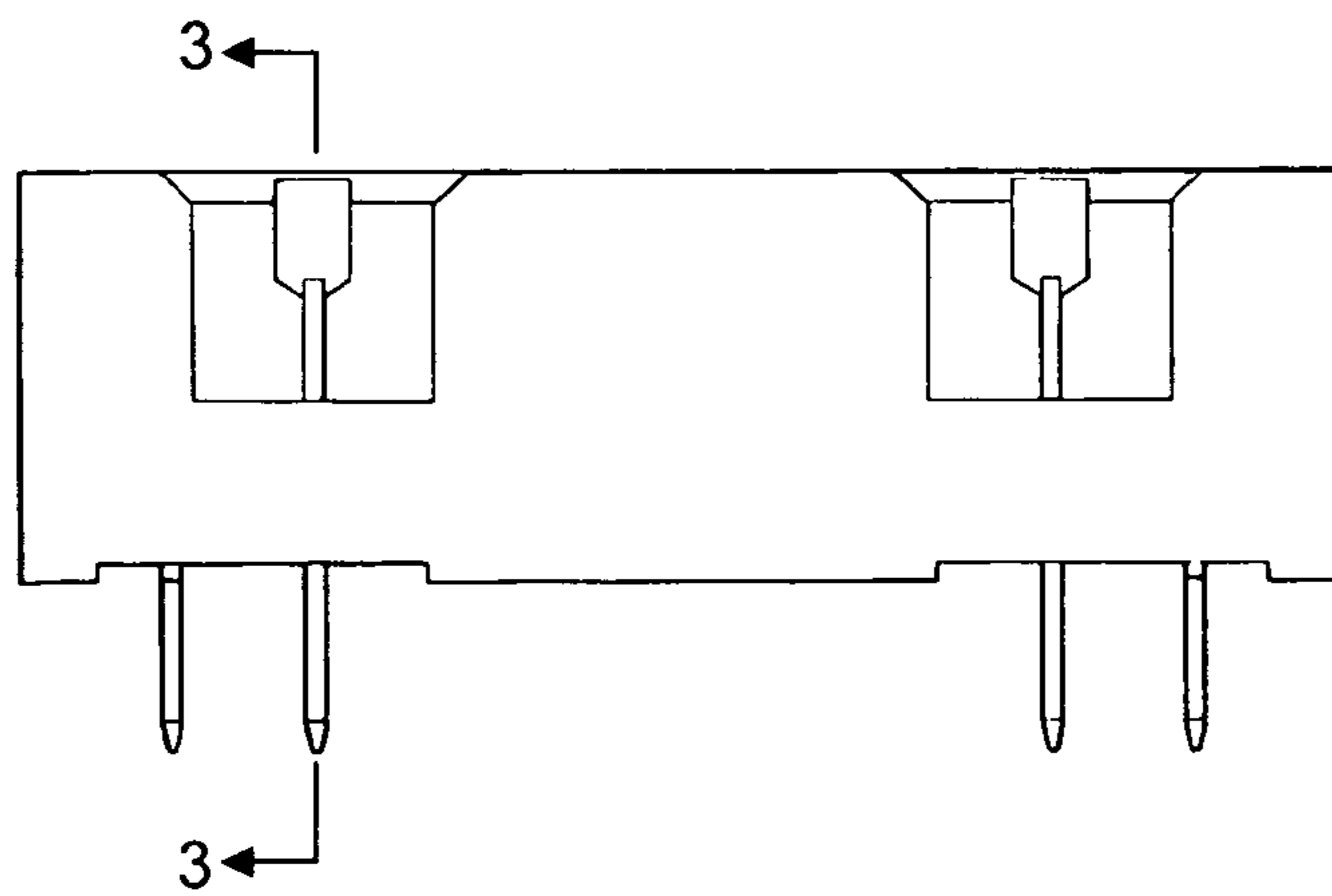
\* cited by examiner

**1 Claim, 3 Drawing Sheets**

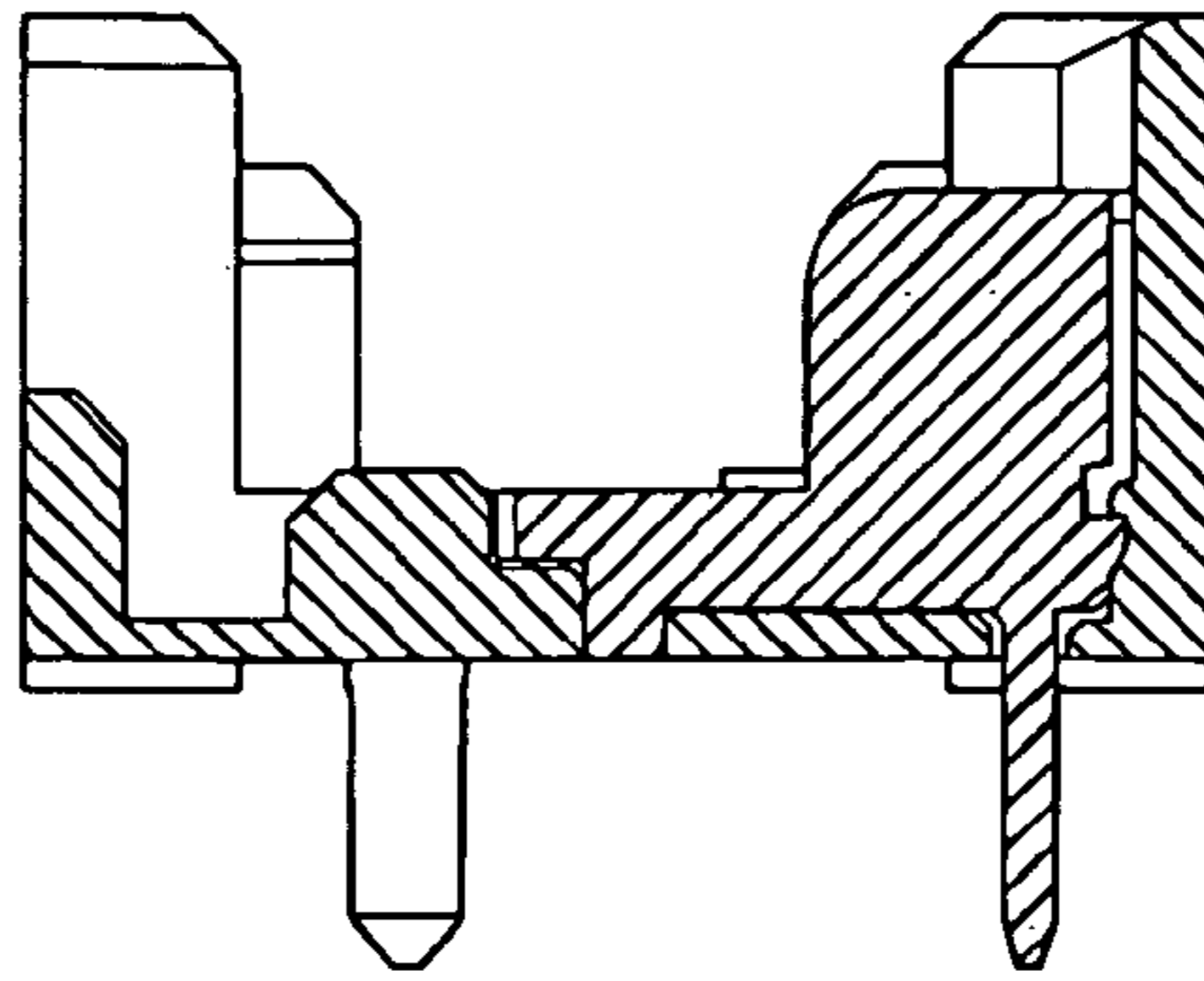




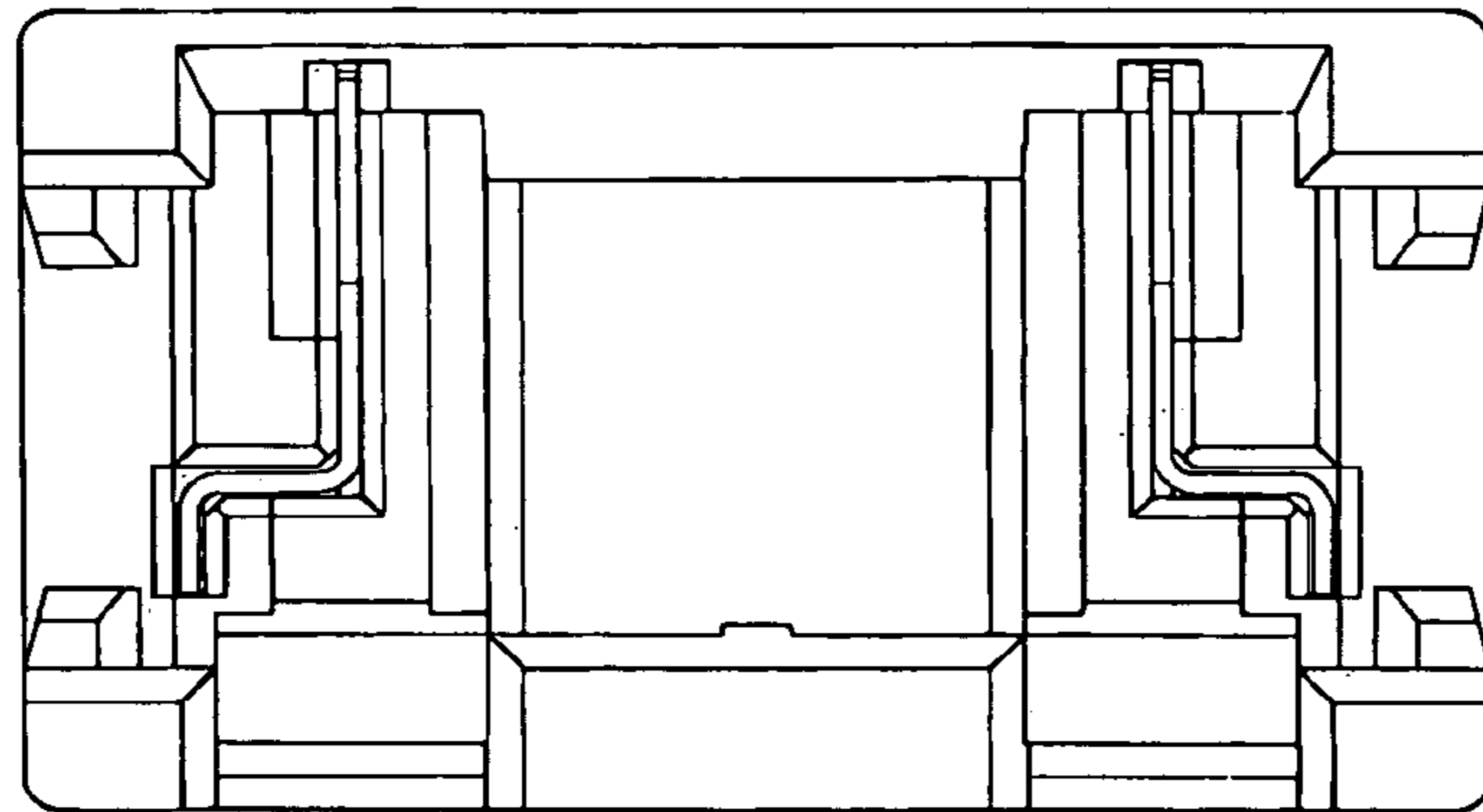
**FIG. 1**



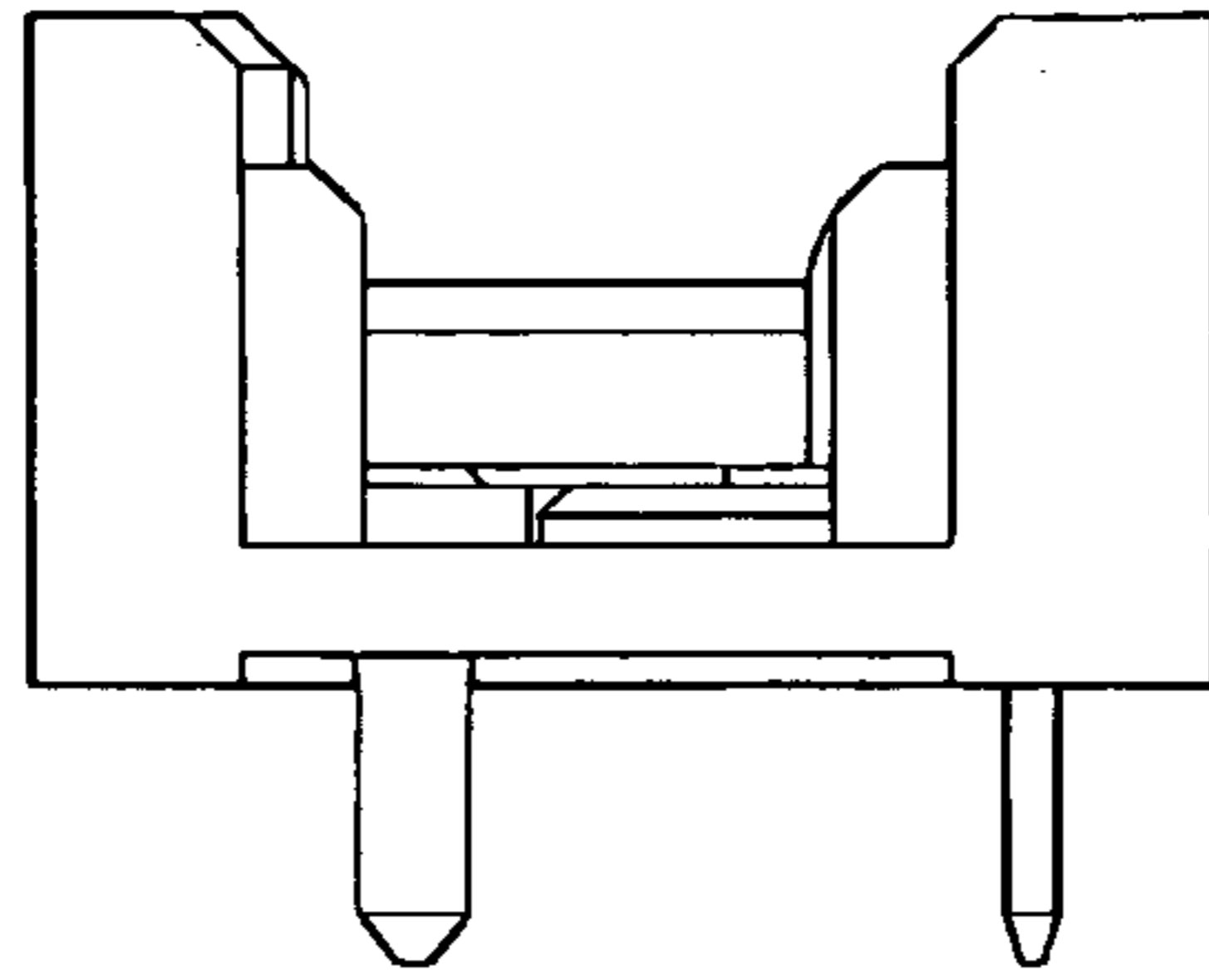
**FIG. 2**



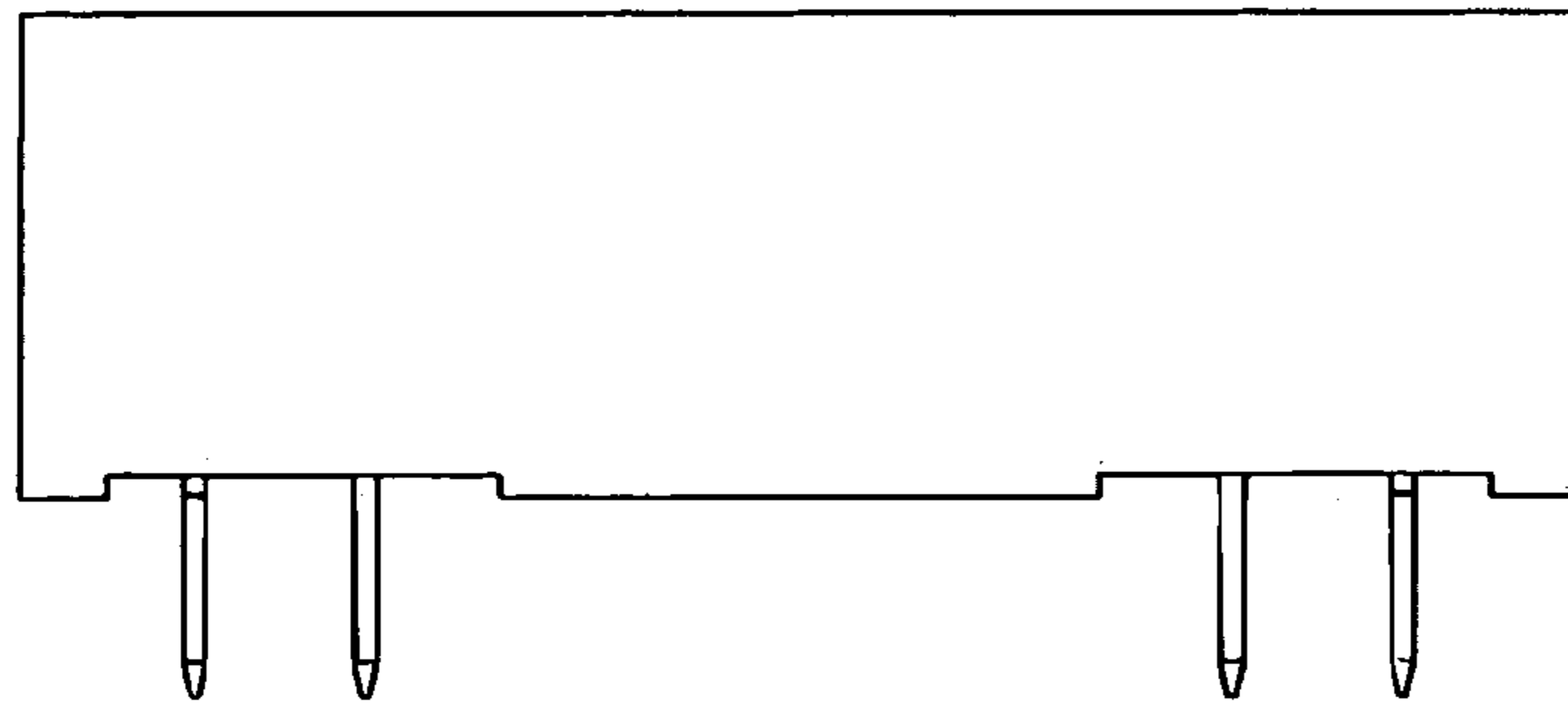
**FIG. 3**



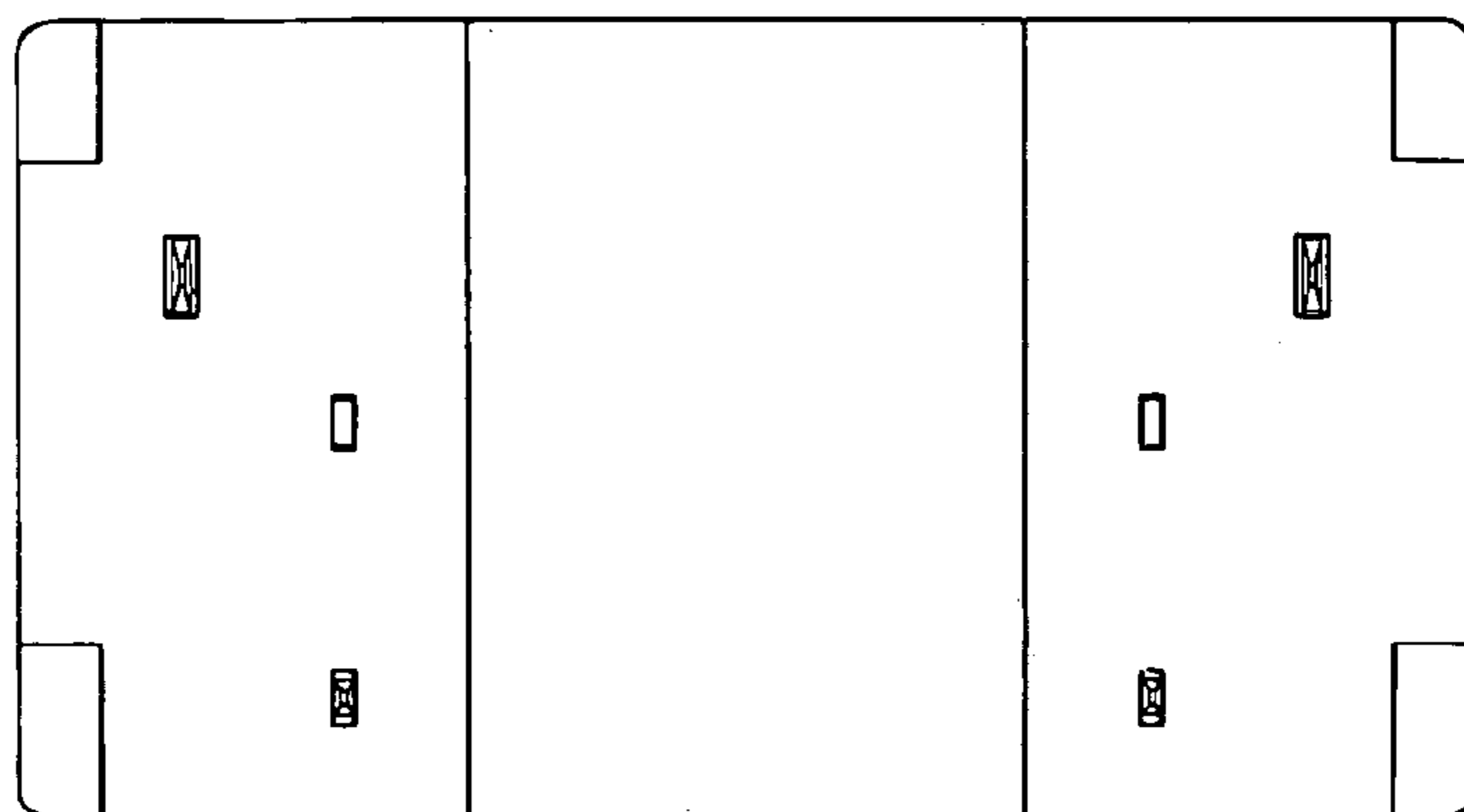
**FIG. 4**



**FIG. 5**



**FIG. 6**



**FIG. 7**