



US00D631010S

(12) **United States Design Patent**  
**Smith et al.**

(10) **Patent No.:** **US D631,010 S**  
(45) **Date of Patent:** **\*\* Jan. 18, 2011**

(54) **CHARGING CRADLE**

(75) Inventors: **Dustin Jonathan Smith**, Waterloo (CA);  
**Anders Fahrendorff**, Ottawa (CA);  
**Sergei Streltsov**, Kitchener (CA); **Todd Andrew Wood**, Guelph (CA)

(73) Assignee: **Research In Motion Limited**, Waterloo, Ontario (CA)

(\*\*) Term: **14 Years**

(21) Appl. No.: **29/363,093**

(22) Filed: **Jun. 4, 2010**

(51) **LOC (9) Cl.** ..... **13-02**

(52) **U.S. Cl.** ..... **D13/108**

(58) **Field of Classification Search** ..... D13/107-110,  
D13/118-119, 184; D14/251, 253, 432,  
D14/434, 435.1; 320/107-115

See application file for complete search history.

(56) **References Cited**

**U.S. PATENT DOCUMENTS**

- D274,903 S \* 7/1984 Eckmann et al. .... D13/107
- D445,975 S \* 7/2001 Stratford ..... D32/31
- D463,361 S \* 9/2002 Ruohonen ..... D13/108
- D471,578 S \* 3/2003 Okuley ..... D16/242
- D510,091 S \* 9/2005 Mori et al. .... D14/434
- D516,023 S \* 2/2006 Quinn ..... D13/108

- D524,730 S \* 7/2006 Vu ..... D13/108
- D580,855 S \* 11/2008 Haspil et al. .... D13/108
- D580,856 S \* 11/2008 Haspil et al. .... D13/108
- D603,333 S \* 11/2009 Fahrendorff et al. .... D13/107
- D606,491 S \* 12/2009 Rosen ..... D13/108
- D610,984 S \* 3/2010 Khan et al. .... D13/108

\* cited by examiner

*Primary Examiner*—Rosemary K Tarcza

(57) **CLAIM**

We claim the ornamental design for a charging cradle, as shown and described.

**DESCRIPTION**

FIG. 1 is a front perspective view of charging cradle;

FIG. 2 is a back perspective view of charging cradle;

FIG. 3 is a front elevation view thereof;

FIG. 4 is a back elevation view thereof;

FIG. 5 is a top plan view thereof; and

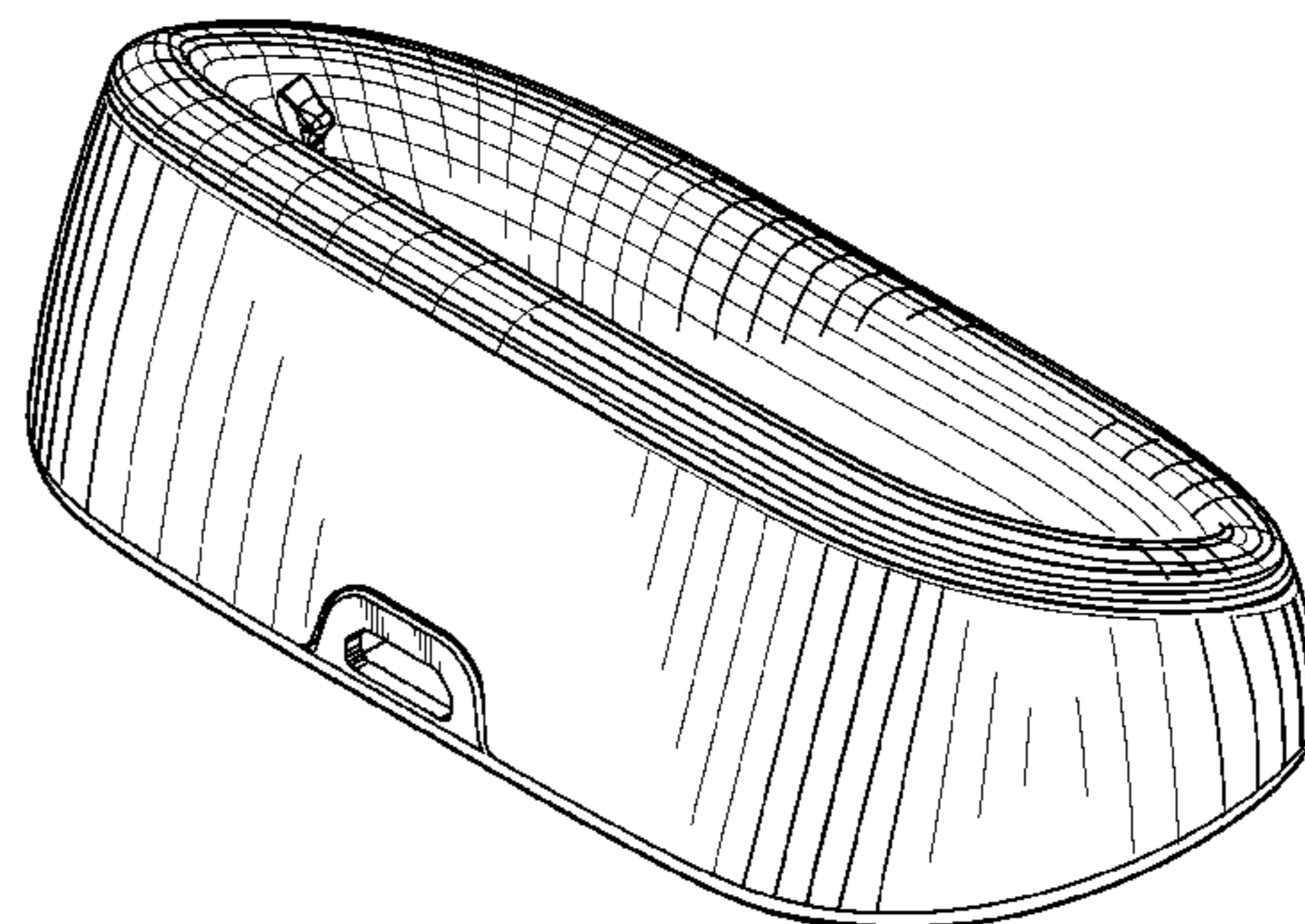
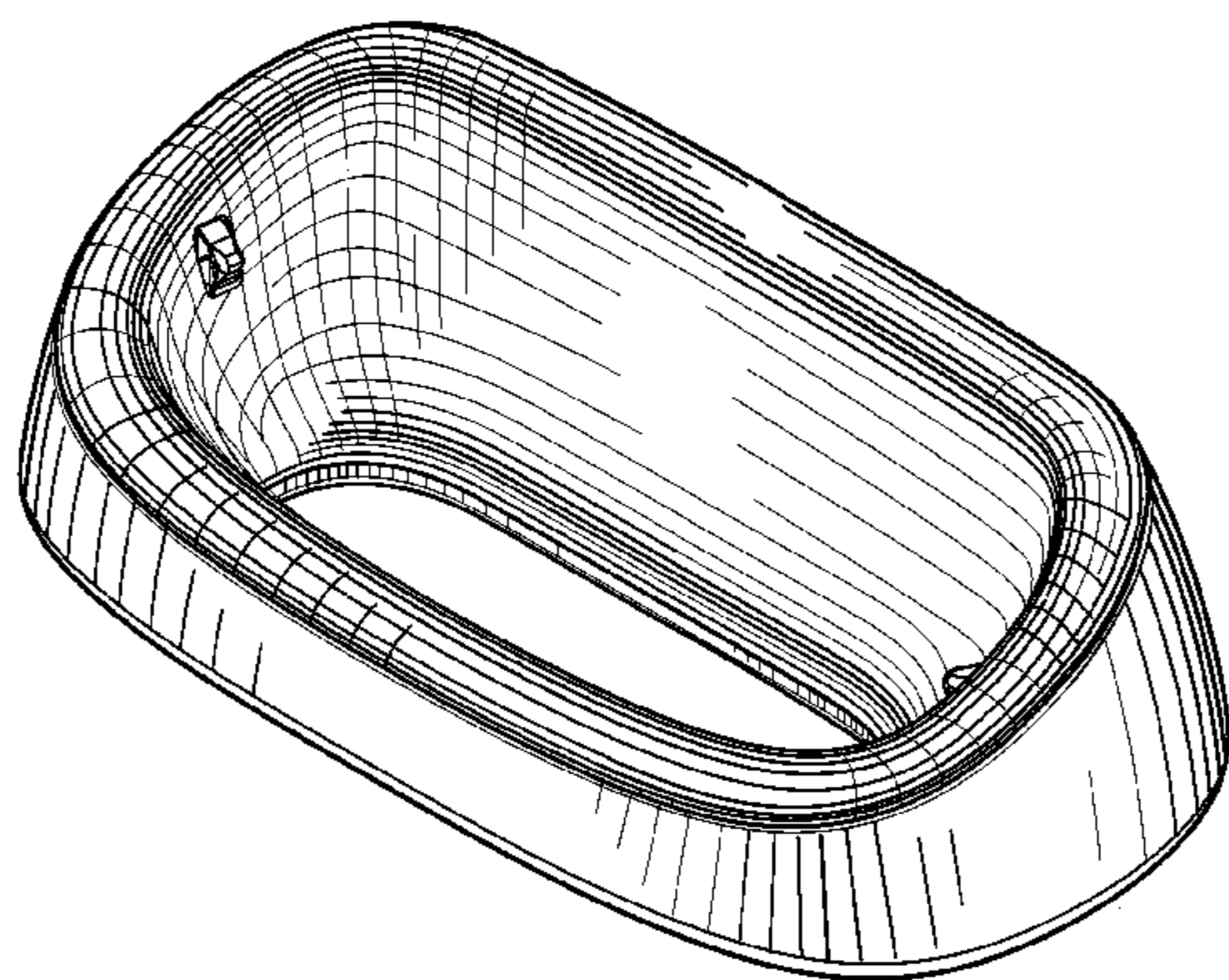
FIG. 6 is a bottom plan view thereof.

FIG. 7 is a left elevational view thereof; and,

FIG. 8 is a right elevational view thereof.

The broken lines shown in the drawings are included for the purpose of illustrating unclaimed portions of the charging cradle and form no part of the claimed design.

**1 Claim, 4 Drawing Sheets**



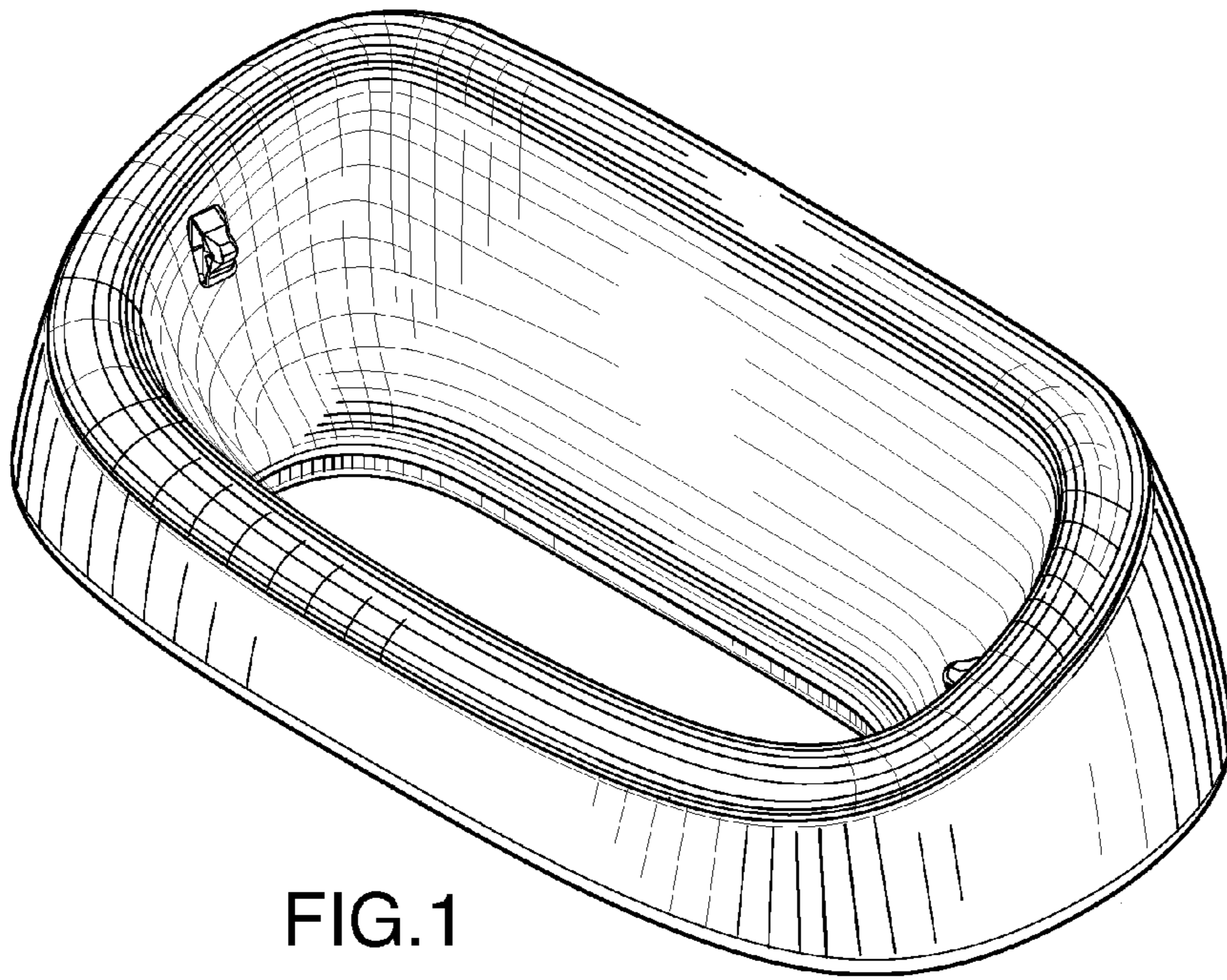


FIG.1

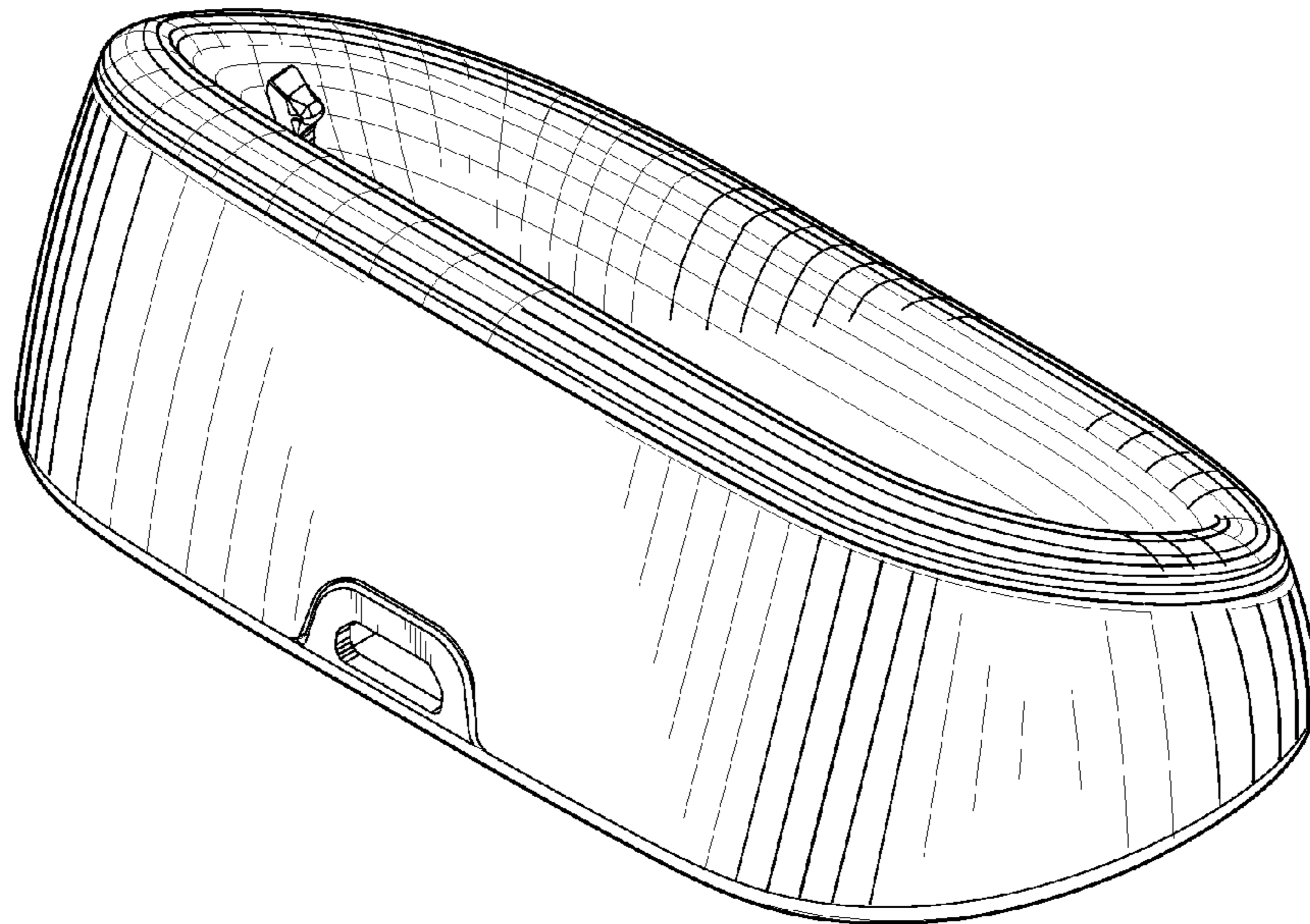


FIG.2

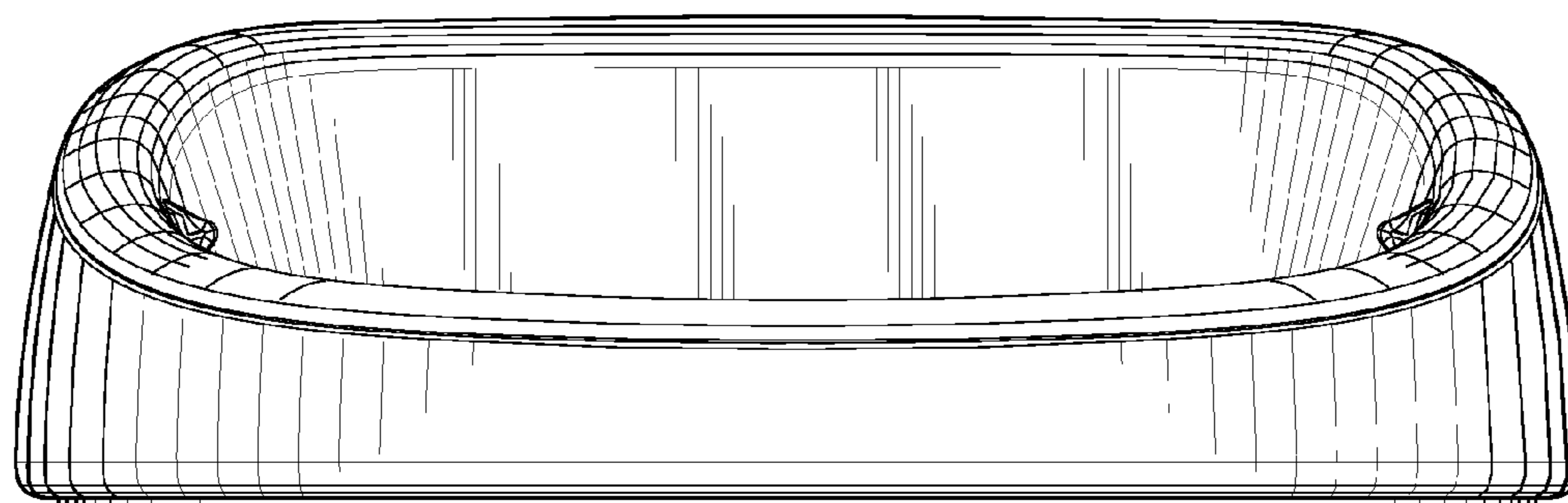


FIG.3

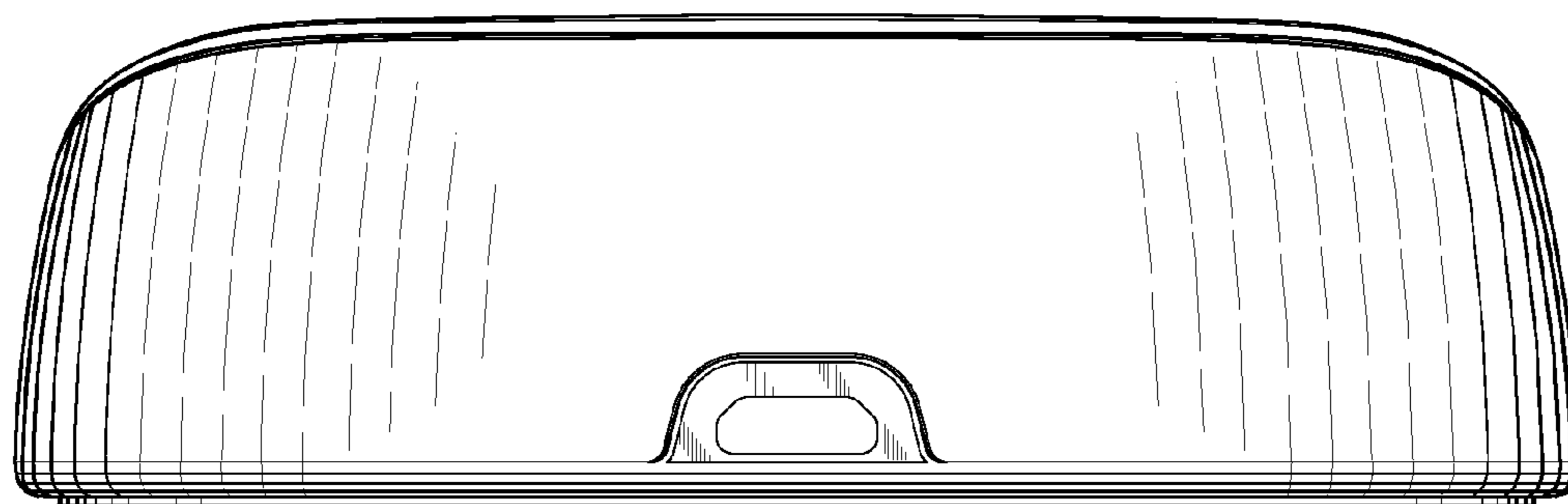


FIG.4

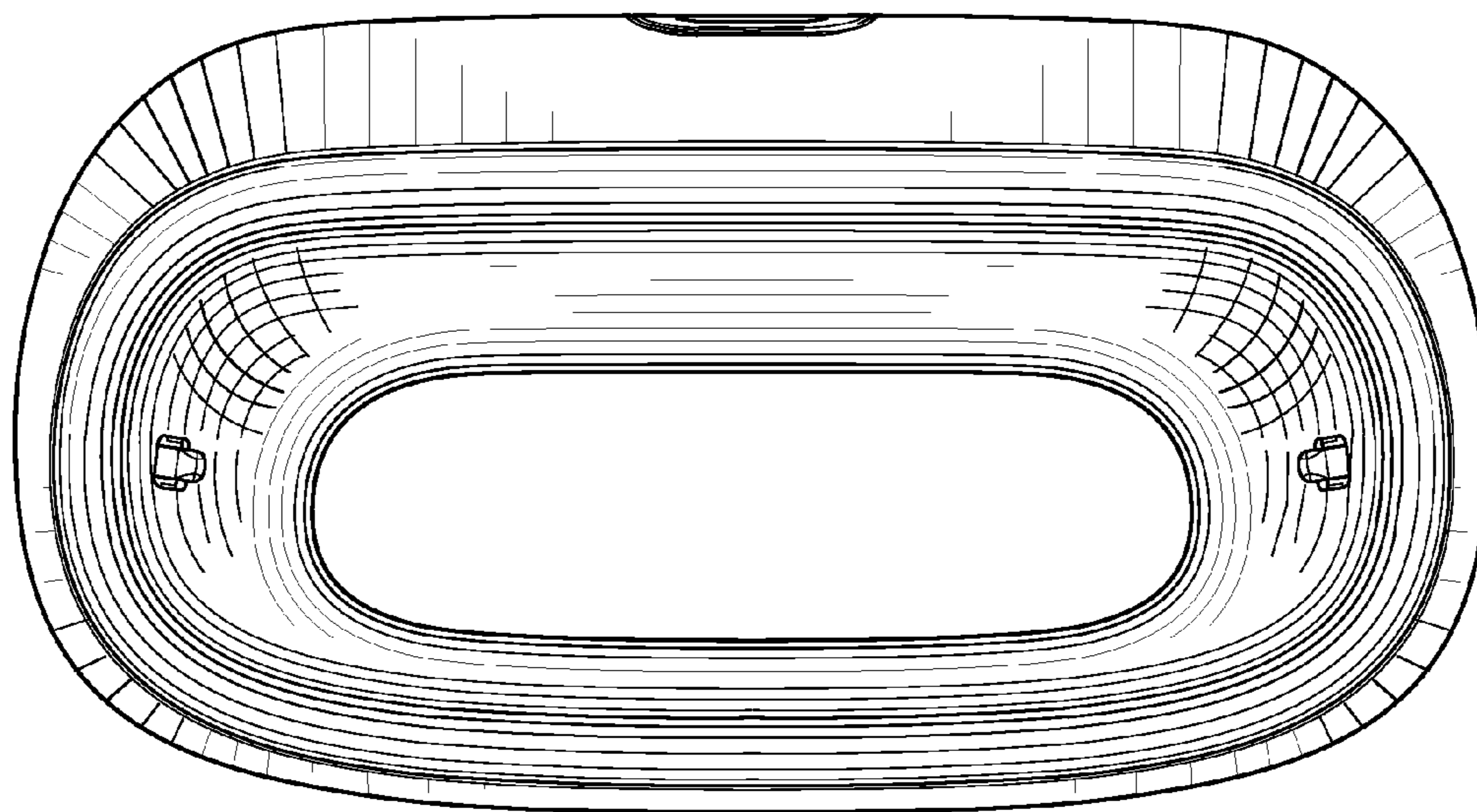


FIG. 5

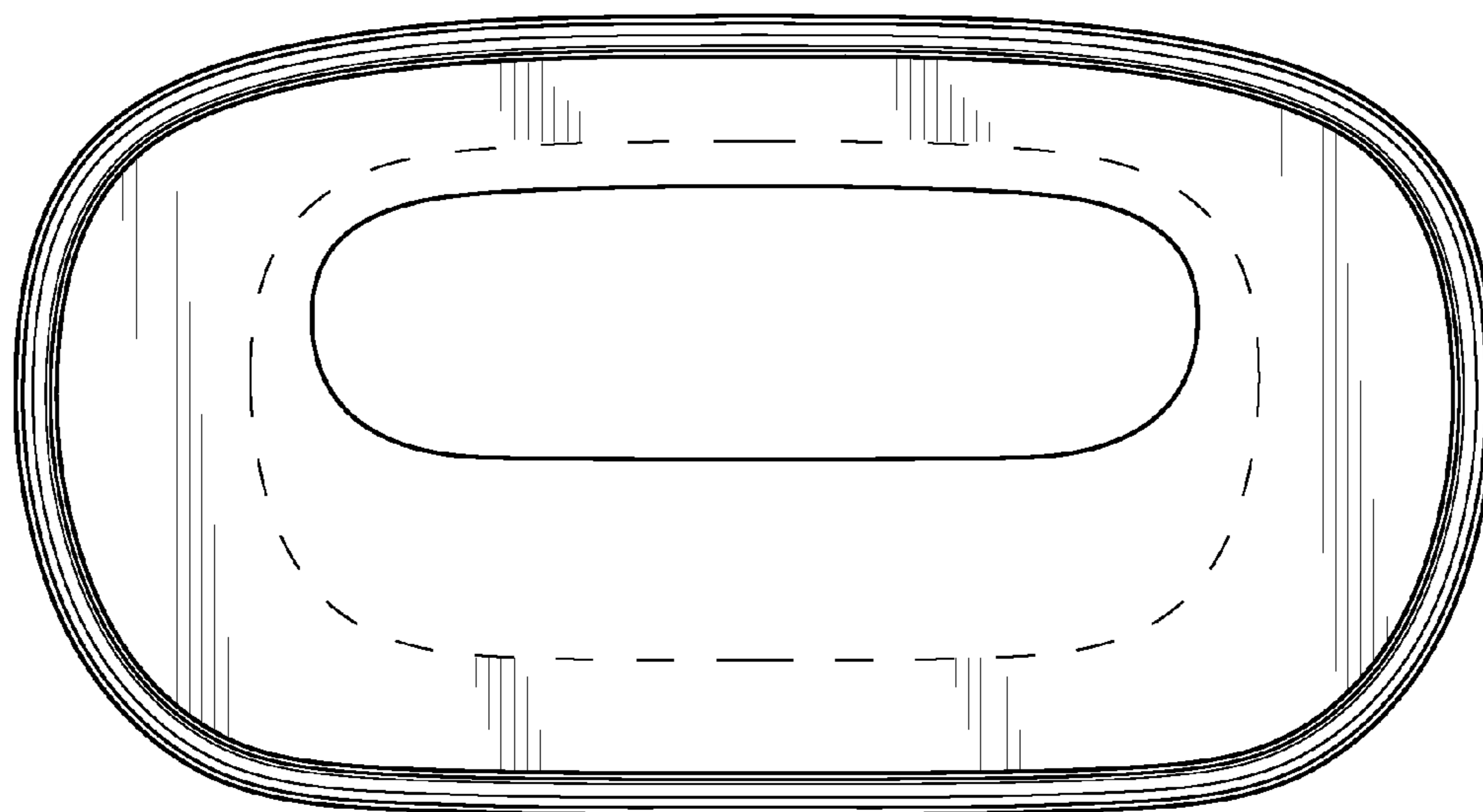


FIG. 6

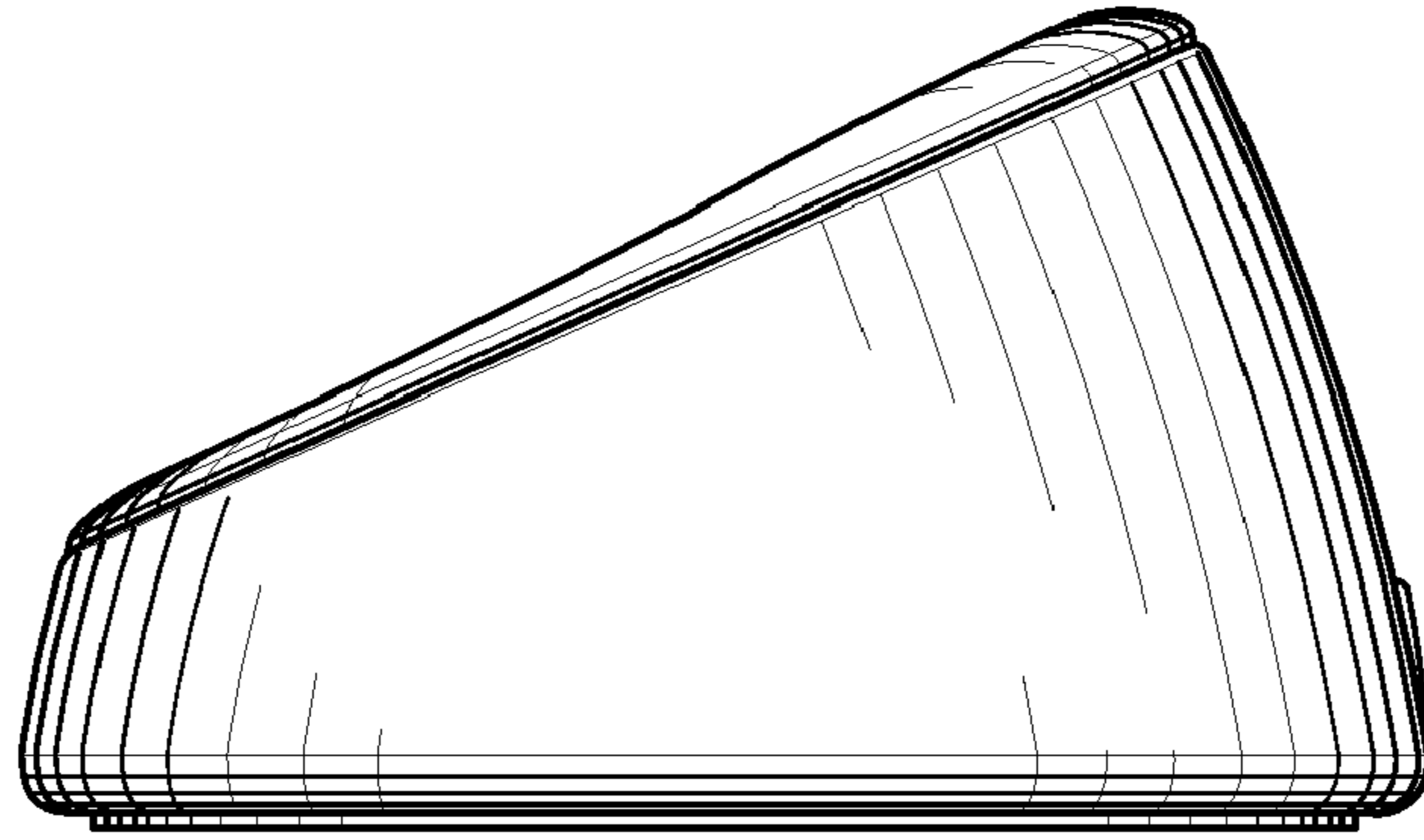


FIG. 7

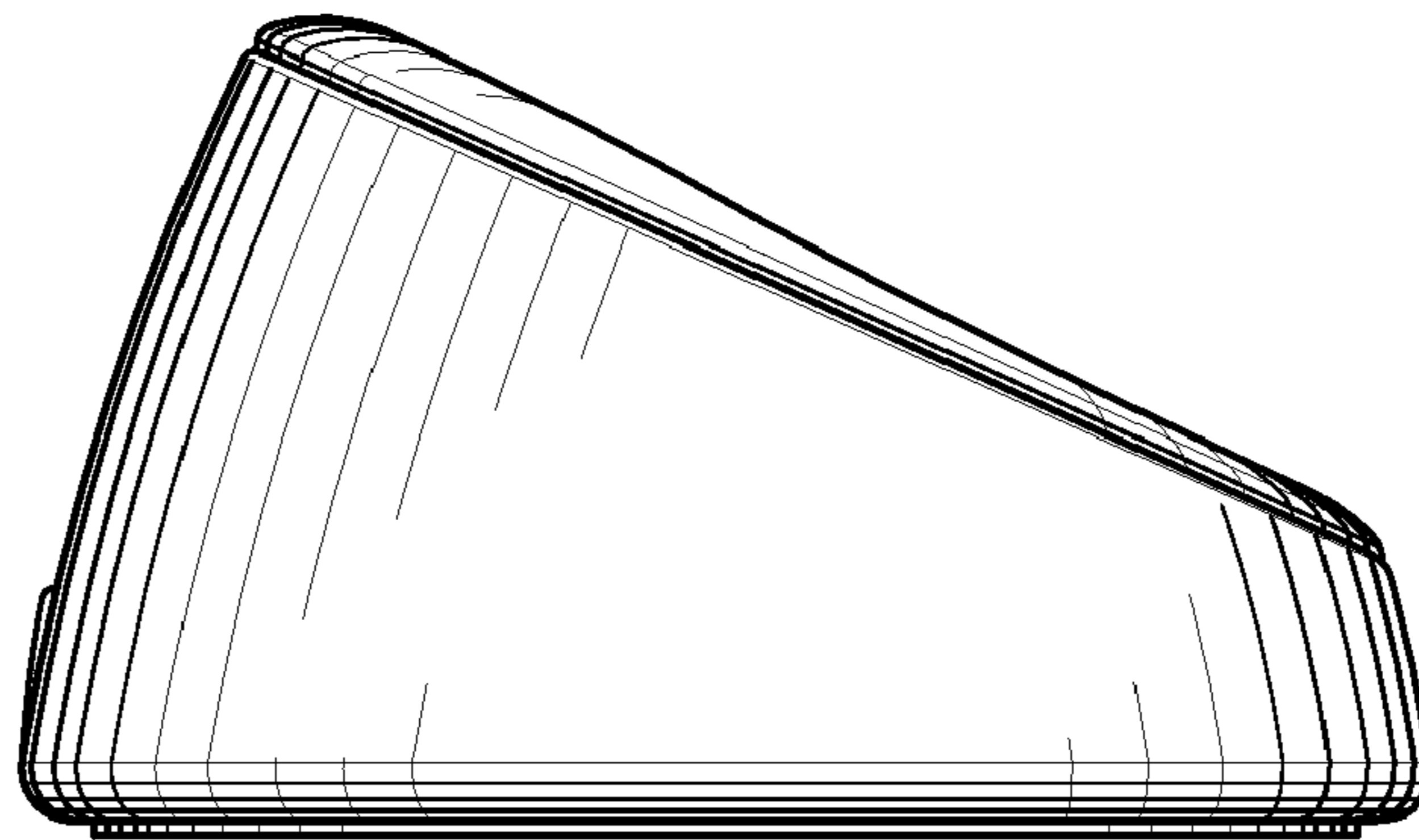


FIG. 8