



US00D631009S

(12) **United States Design Patent**  
**Son et al.**

(10) **Patent No.:** **US D631,009 S**  
(45) **Date of Patent:** **\*\* Jan. 18, 2011**

(54) **CHARGING HOLDER FOR A MOBILE PHONE**

(75) Inventors: **Hyun-Keun Son**, Seoul (KR);  
**Gum-Sool Kim**, Anyang-si (KR);  
**Seog-Guen Kim**, Seoul (KR)

(73) Assignee: **Samsung Electronics Co., Ltd.** (KR)

(\*\*) Term: **14 Years**

(21) Appl. No.: **29/362,467**

(22) Filed: **May 26, 2010**

(30) **Foreign Application Priority Data**

Apr. 30, 2010 (KR) ..... 30-2010-0019254

(51) **LOC (9) Cl.** ..... **13-02**

(52) **U.S. Cl.** ..... **D13/108**

(58) **Field of Classification Search** ..... D13/107-110,  
D13/118-119, 184; D14/251, 253, 432,  
D14/434, 435.1; 320/107-115

See application file for complete search history.

(56) **References Cited**

**U.S. PATENT DOCUMENTS**

D281,064 S *	10/1985	Scheid	.....	D13/107
D465,532 S *	11/2002	Hussaini et al.	.....	D21/333
D540,327 S *	4/2007	Wong et al.	.....	D14/434
D546,760 S *	7/2007	Aguilar	.....	D13/108
D552,185 S *	10/2007	Hussaini et al.	.....	D21/333
D557,207 S *	12/2007	Aguilar	.....	D13/108
D561,763 S *	2/2008	Dinesh	.....	D14/434
D574,326 S *	8/2008	Lim	.....	D13/118

D577,665 S \* 9/2008 Kim et al. .... D13/107  
\* cited by examiner

*Primary Examiner*—Rosemary K Tarcza  
(74) *Attorney, Agent, or Firm*—NSIP Law

(57) **CLAIM**

The ornamental design for a charging holder for a mobile phone, as shown and described.

**DESCRIPTION**

FIG. 1 is a perspective view of a charging holder for a mobile phone;

FIG. 2 is a front view of the charging holder for a mobile phone of FIG. 1;

FIG. 3 is a rear view of the charging holder for a mobile phone of FIG. 1;

FIG. 4 is a left-side view of the charging holder for a mobile phone of FIG. 1;

FIG. 5 is a right-side view of the charging holder for a mobile phone of FIG. 1;

FIG. 6 is a top plan view of the charging holder for a mobile phone of FIG. 1;

FIG. 7 is a bottom plan view the charging holder for a mobile phone of FIG. 1; and,

FIG. 8 is a perspective view of the charging holder of FIG. 1 to which a mobile phone is docked.

The broken lines showing a mobile phone in the drawings are included for the purpose of illustrating environmental structure and form no part of the claimed design.

**1 Claim, 6 Drawing Sheets**

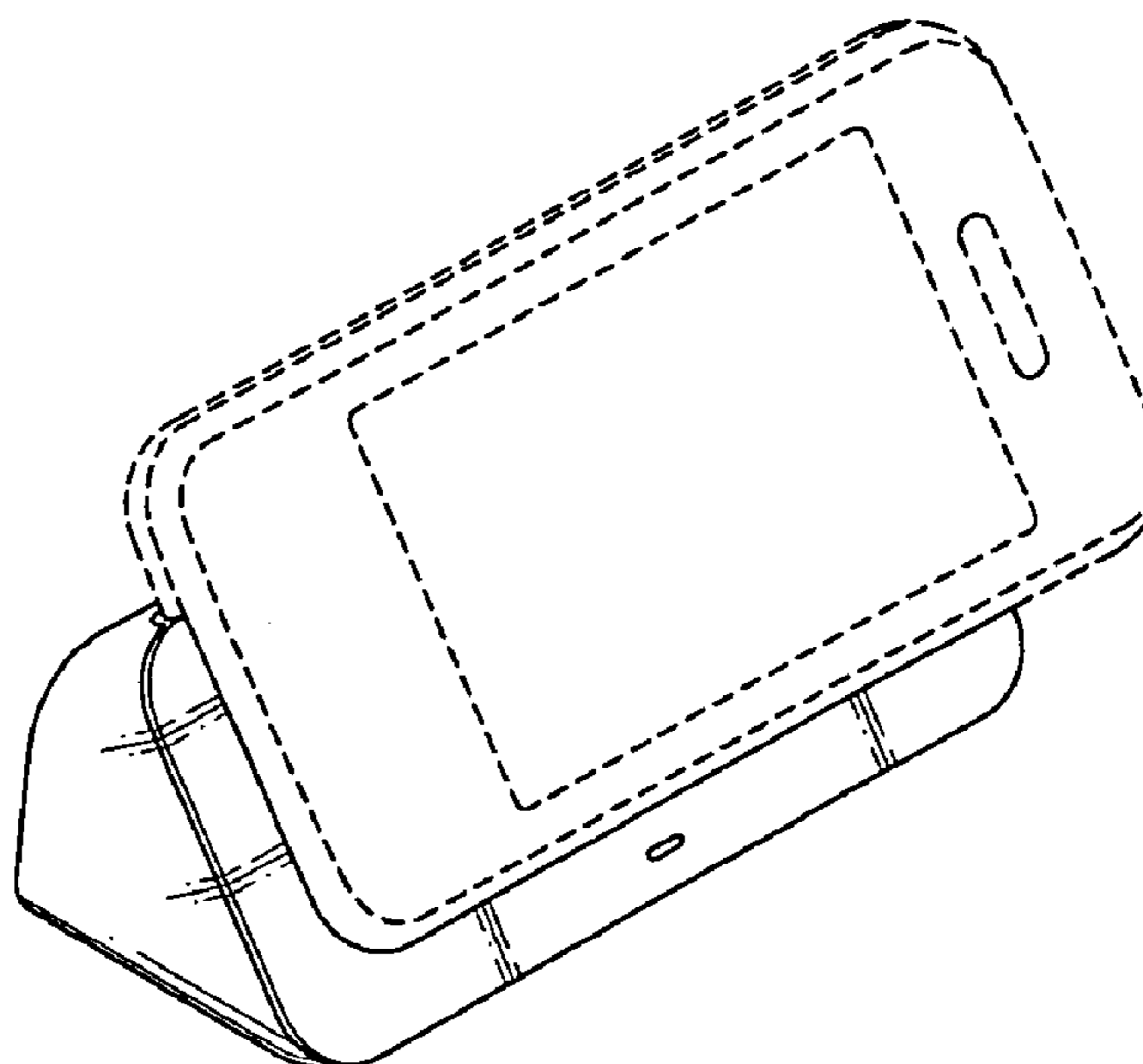
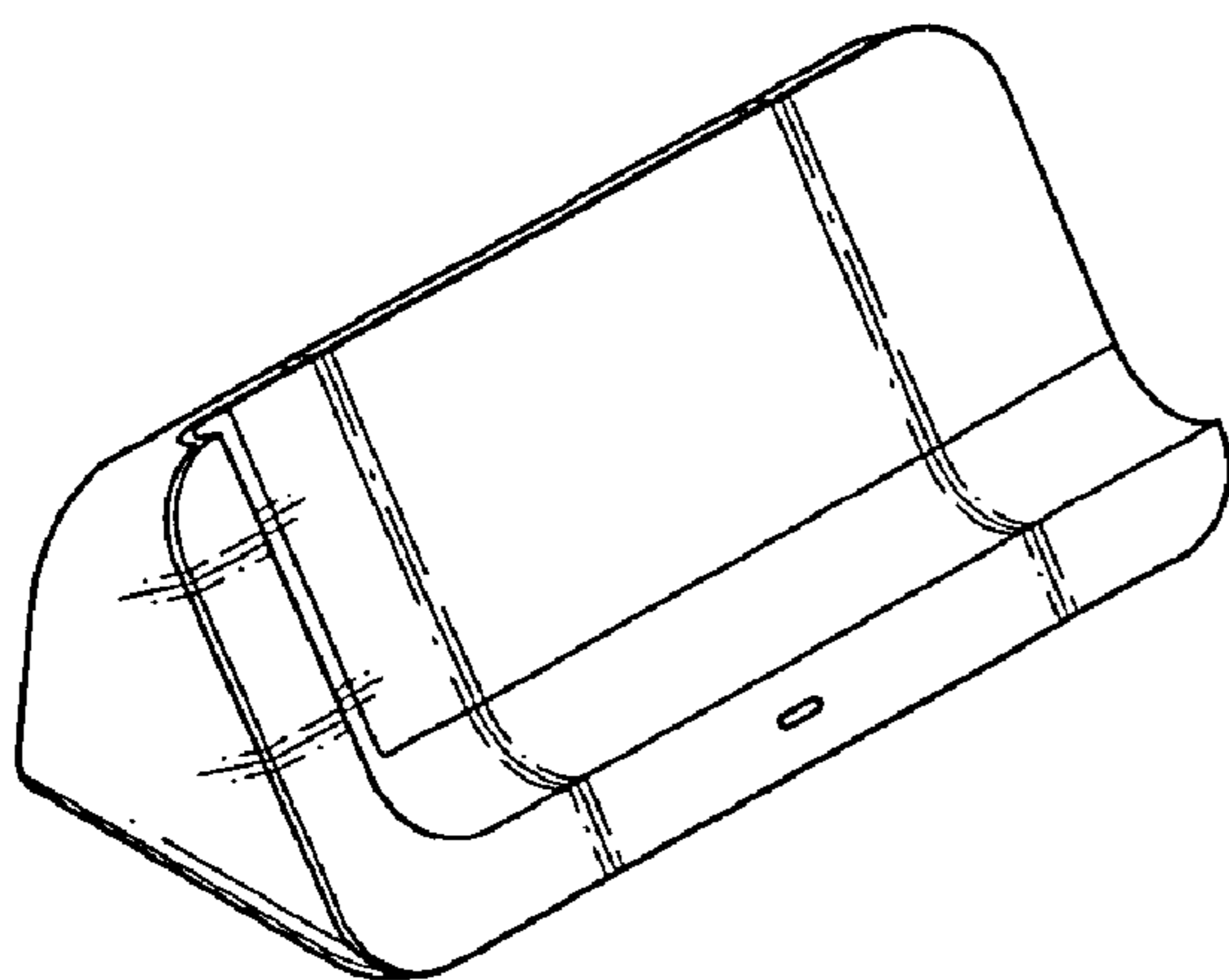


FIG. 1

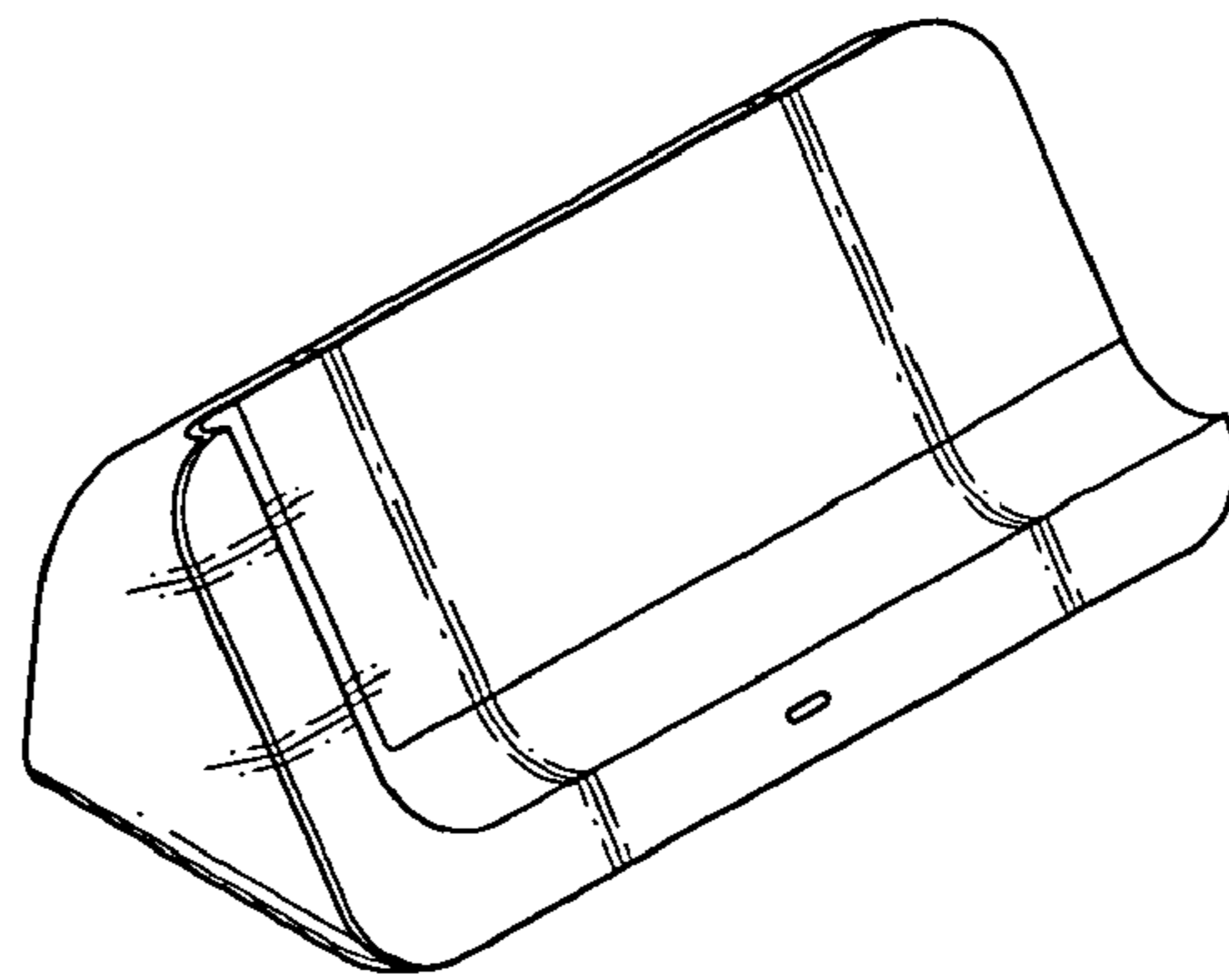


FIG. 2

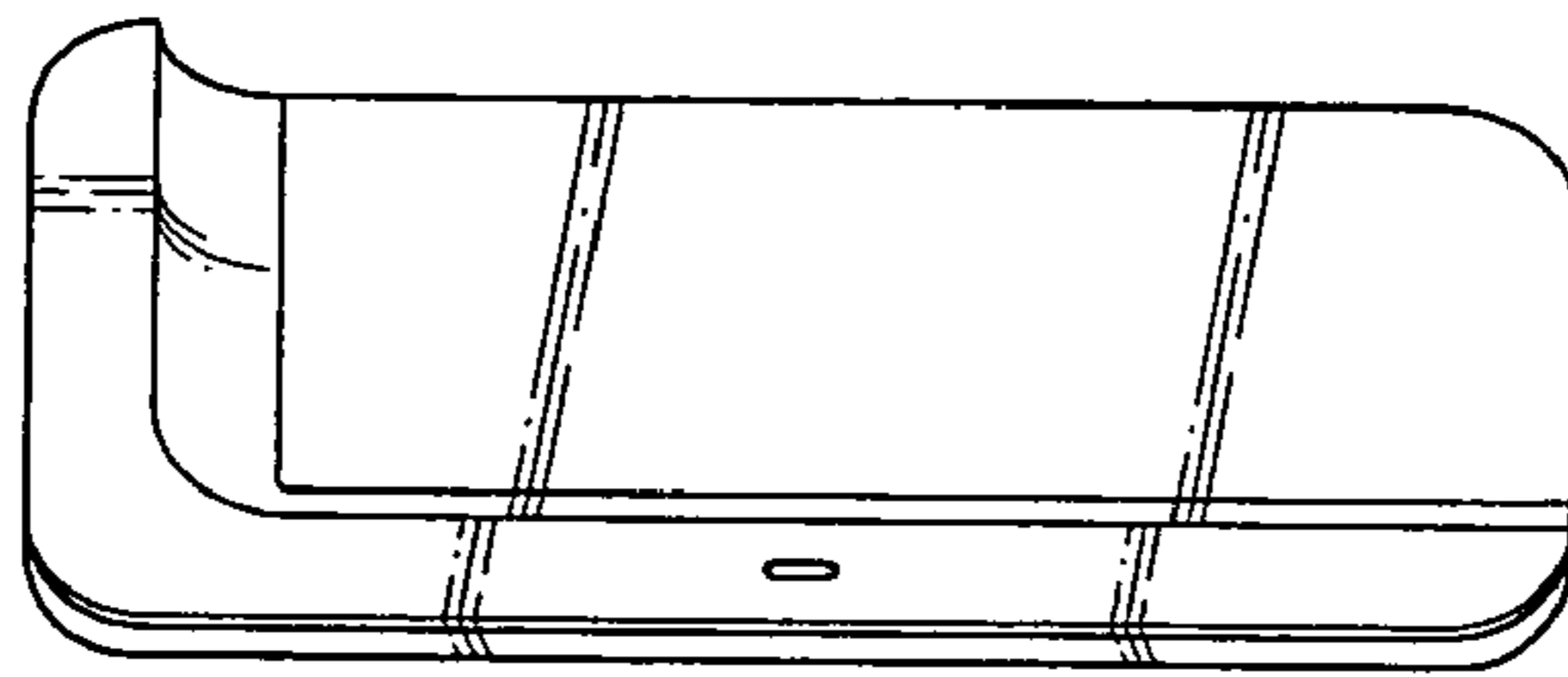


FIG. 3

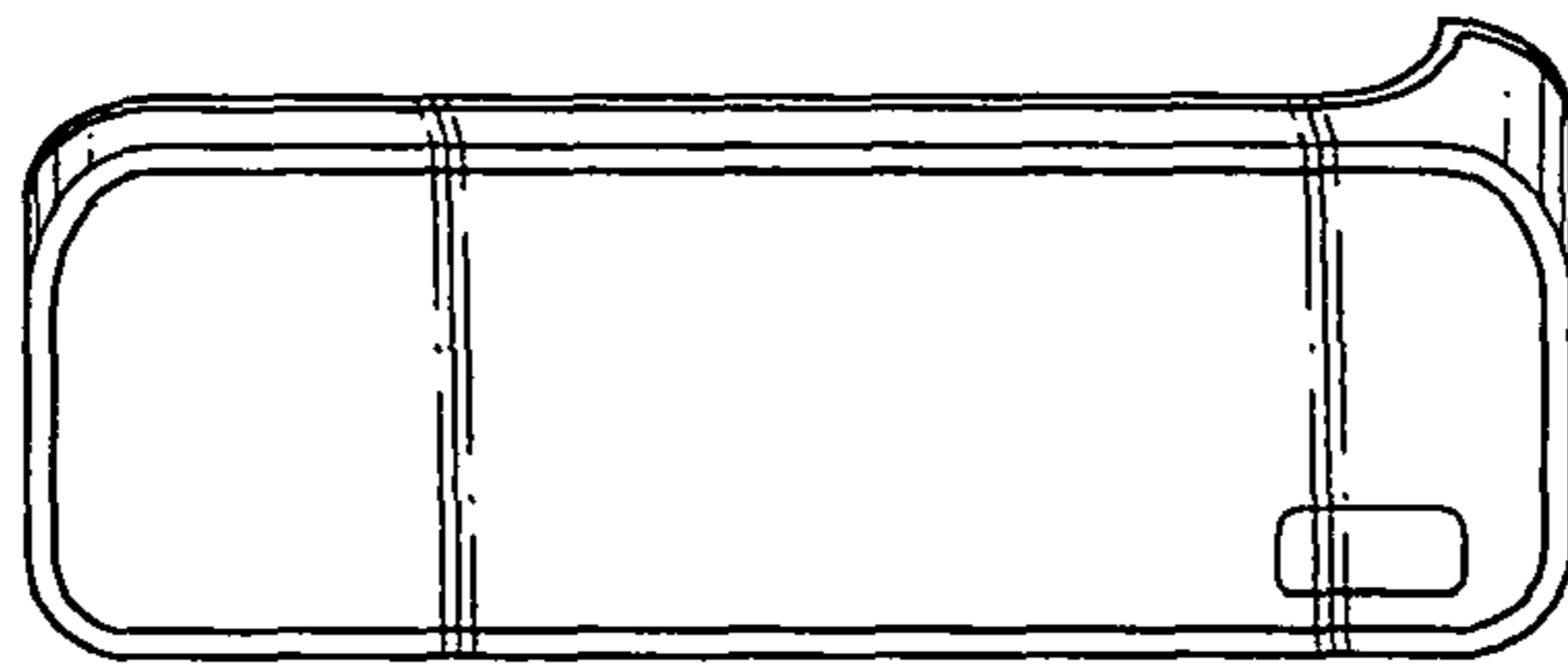


FIG. 4

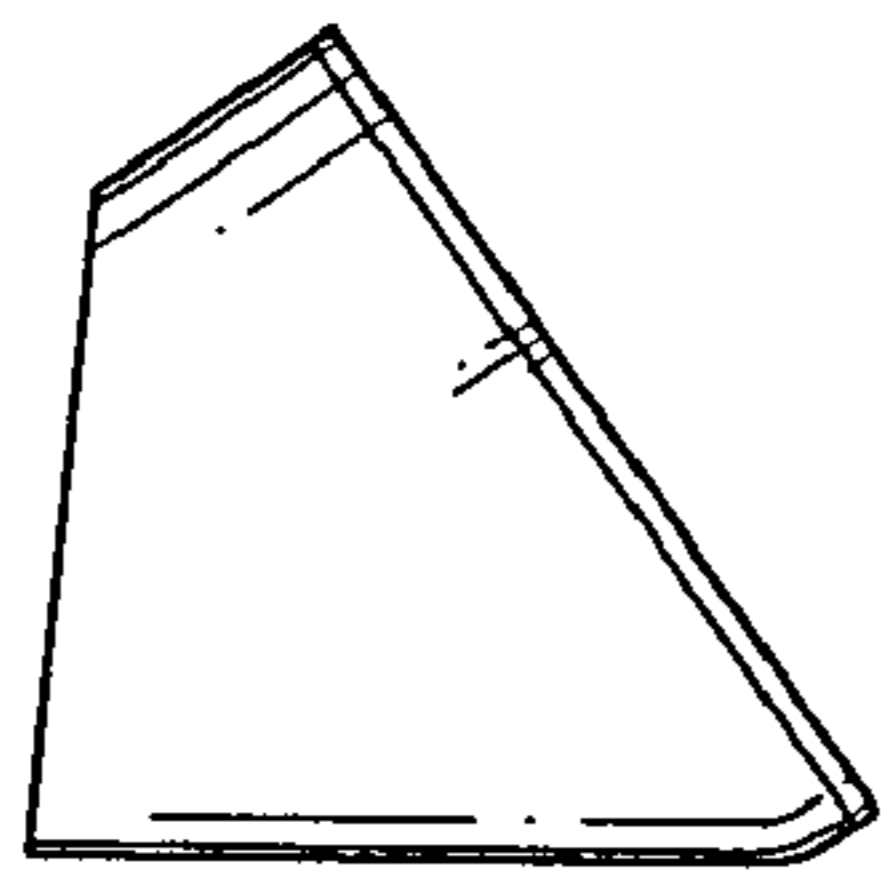


FIG. 5

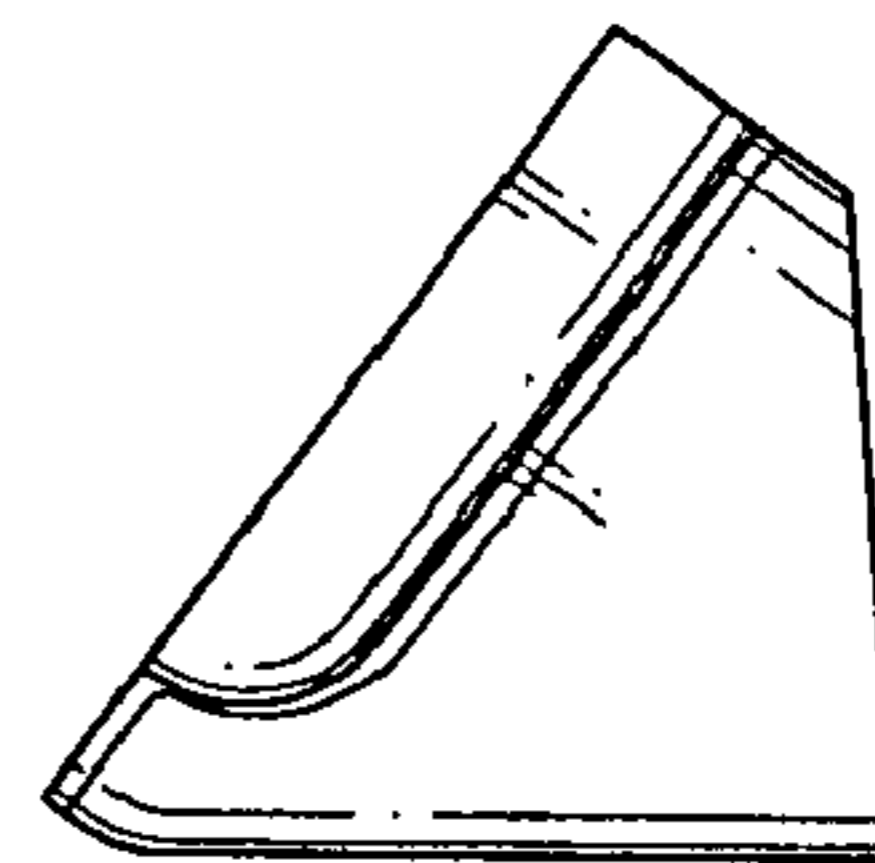


FIG. 6

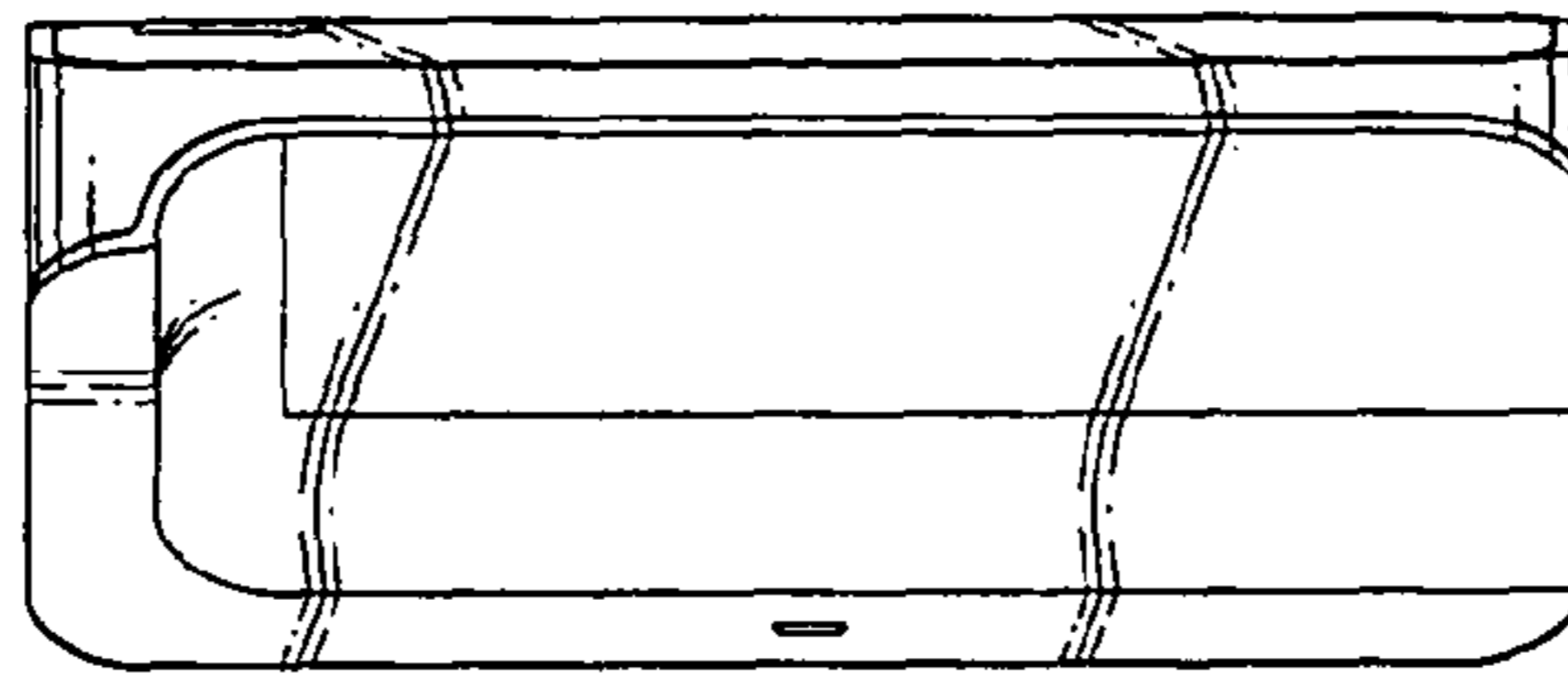


FIG. 7

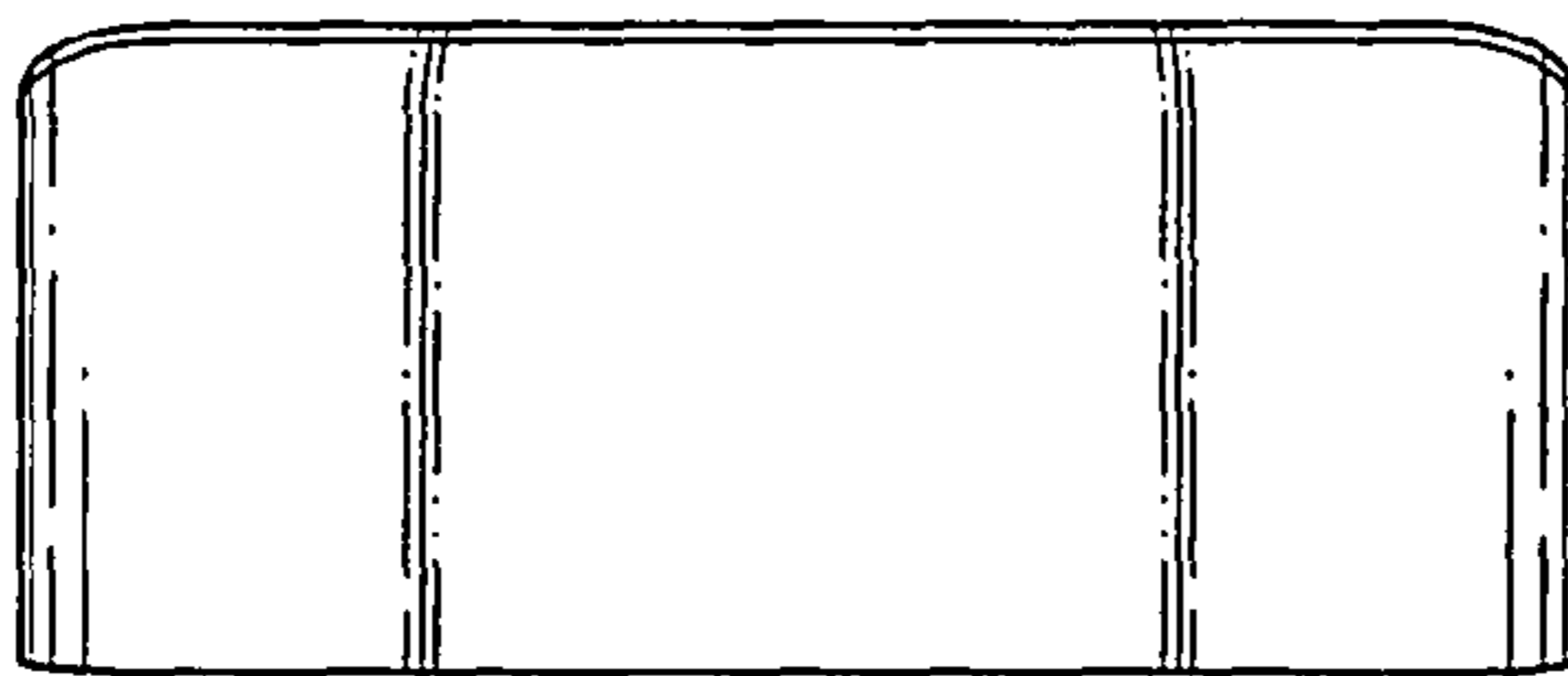


FIG. 8

