



US00D631007S

(12) **United States Design Patent**
Smith et al.

(10) **Patent No.:** **US D631,007 S**
(45) **Date of Patent:** **** Jan. 18, 2011**

(54) **CHARGING CRADLE**

(75) Inventors: **Dustin Jonathan Smith**, Waterloo (CA);
Sergei Streltsov, Kitchener (CA); **Todd Andrew Wood**, Guelph (CA)

(73) Assignee: **Research In Motion Limited**, Waterloo,
Ontario (CA)

(**) Term: **14 Years**

(21) Appl. No.: **29/358,437**

(22) Filed: **Mar. 26, 2010**

(51) **LOC (9) Cl.** **13-02**

(52) **U.S. Cl.** **D13/108**

(58) **Field of Classification Search** D13/107–110,
D13/118–119, 184; D14/251, 253, 432,
D14/434, 435.1; 320/107–115

See application file for complete search history.

(56) **References Cited**

U.S. PATENT DOCUMENTS

D477,604 S	*	7/2003	Lin	D14/434
D508,459 S	*	8/2005	Yoshida	D13/108
D509,790 S	*	9/2005	Sakai	D13/108
D520,943 S	*	5/2006	Imai	D13/108
D521,928 S	*	5/2006	Shimizu	D13/108
D523,847 S	*	6/2006	Naruki	D14/224.1
D525,935 S	*	8/2006	Hussaini et al.	D13/108
D540,327 S	*	4/2007	Wong et al.	D14/434
D546,760 S	*	7/2007	Aguilar	D13/108
D552,185 S	*	10/2007	Hussaini et al.	D21/333

D552,611 S	*	10/2007	Hagiwara et al.	D14/434
D557,207 S	*	12/2007	Aguilar	D13/108
D574,326 S	*	8/2008	Lim	D13/118
D577,665 S	*	9/2008	Kim et al.	D13/107
D580,856 S	*	11/2008	Haspil et al.	D13/108
D595,722 S	*	7/2009	Miyawaki	D14/447
D603,333 S	*	11/2009	Fahrendorff et al.	D13/107
D606,491 S	*	12/2009	Rosen	D13/108
D610,985 S	*	3/2010	Fahrendorff	D13/108

* cited by examiner

Primary Examiner—Rosemary K Tarca

(57) **CLAIM**

We claim the ornamental design for a charging cradle, as shown and described.

DESCRIPTION

FIG. 1 is a front perspective view of charging cradle;

FIG. 2 is a back perspective view of charging cradle;

FIG. 3 is a front elevation view thereof;

FIG. 4 is a back elevation view thereof;

FIG. 5 is a top plan view thereof; and

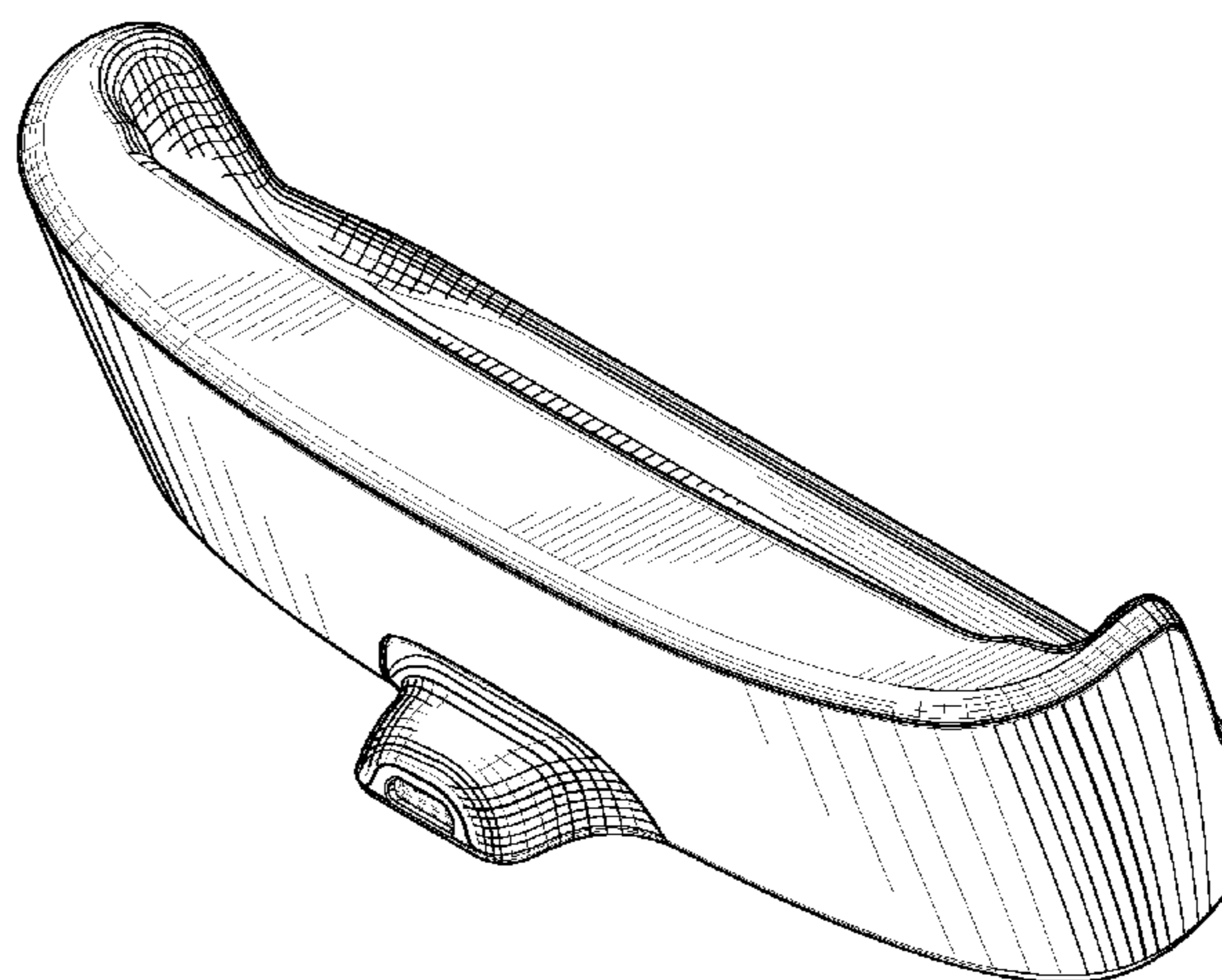
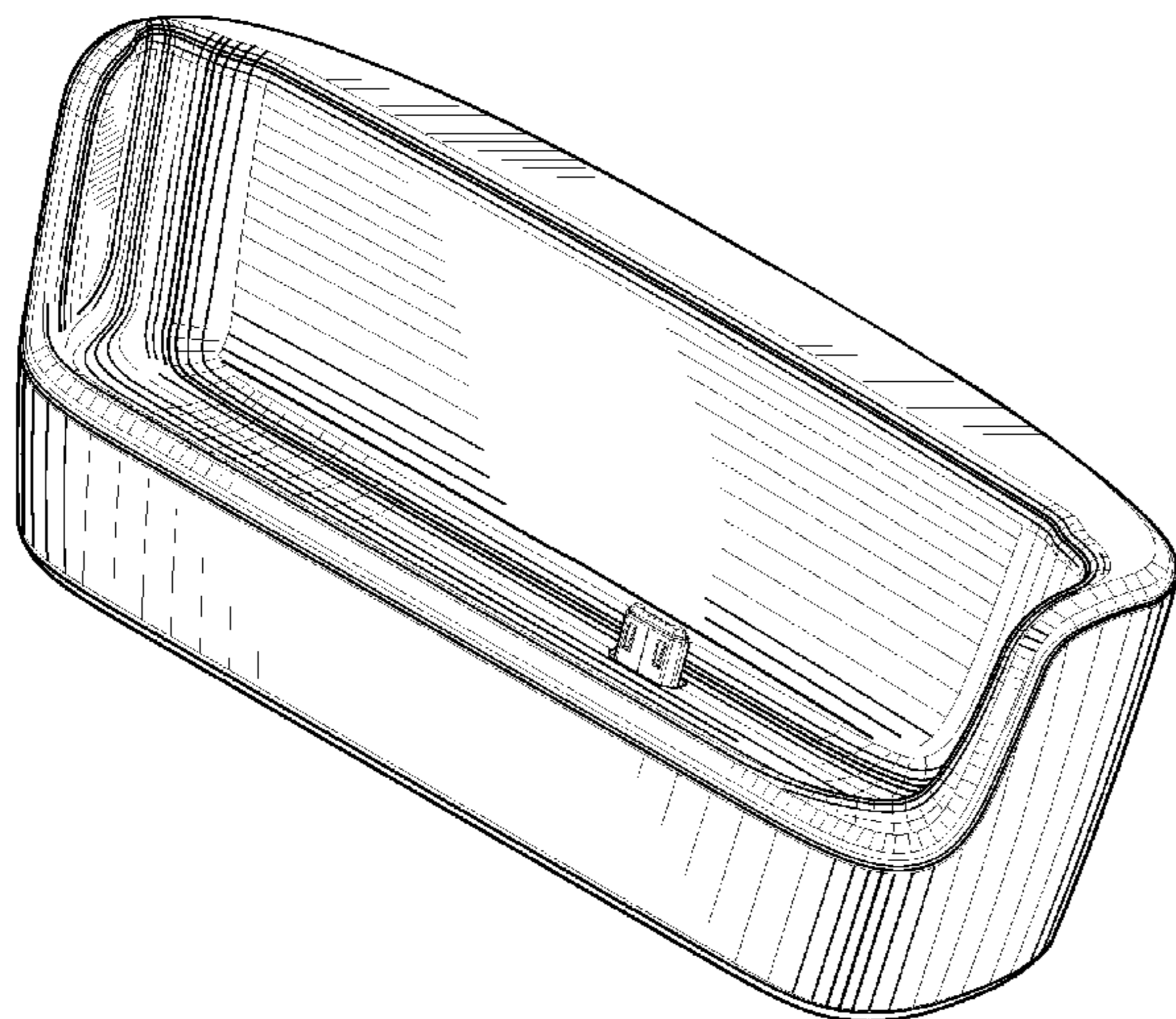
FIG. 6 is a bottom plan view thereof.

FIG. 7 is a right elevational view thereof; and,

FIG. 8 is a left elevational view thereof.

The broken lines shown in the drawings are included for the purpose of illustrating unclaimed portions of the charging cradle and form no part of the claimed design.

1 Claim, 5 Drawing Sheets



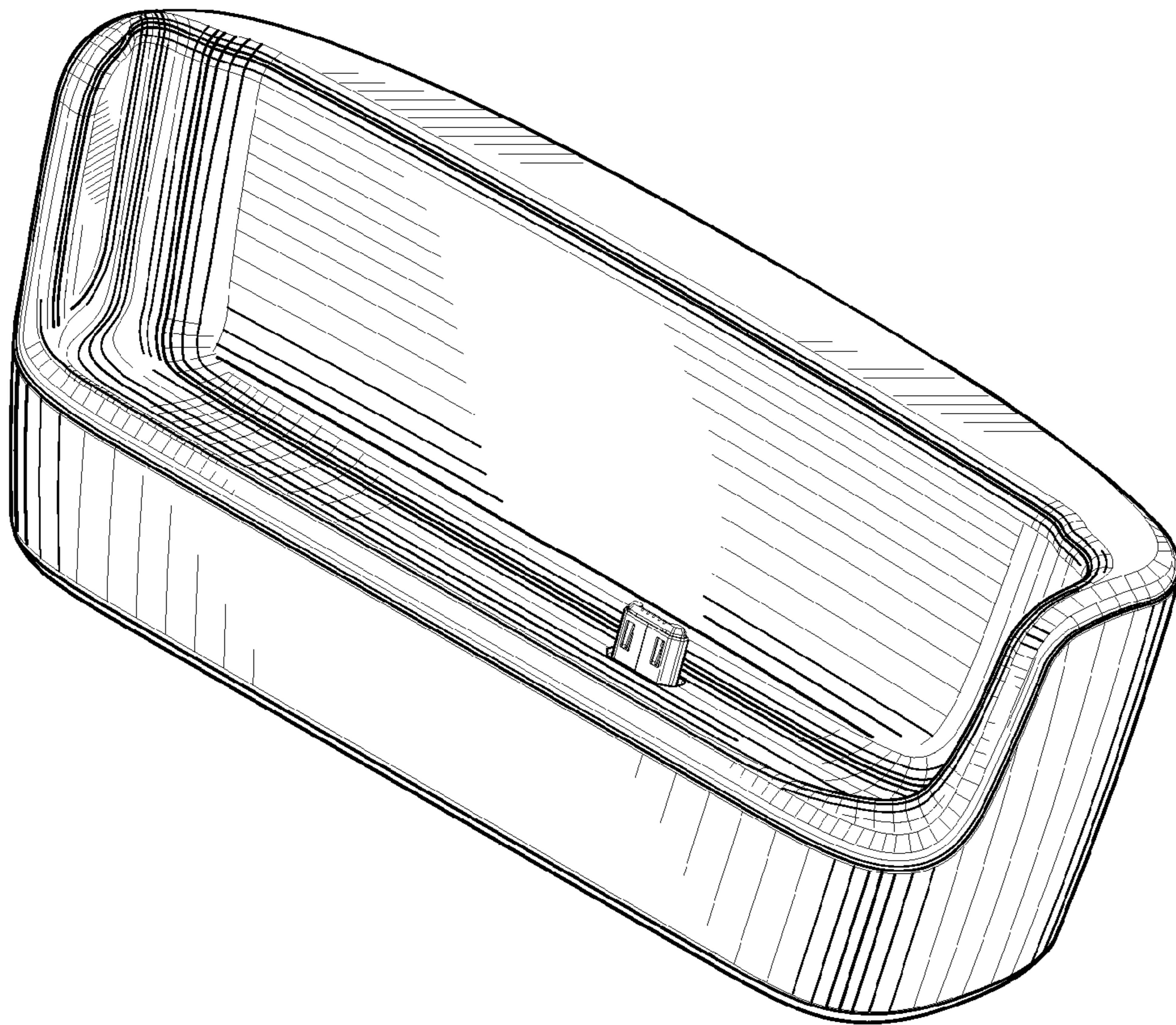


FIG.1

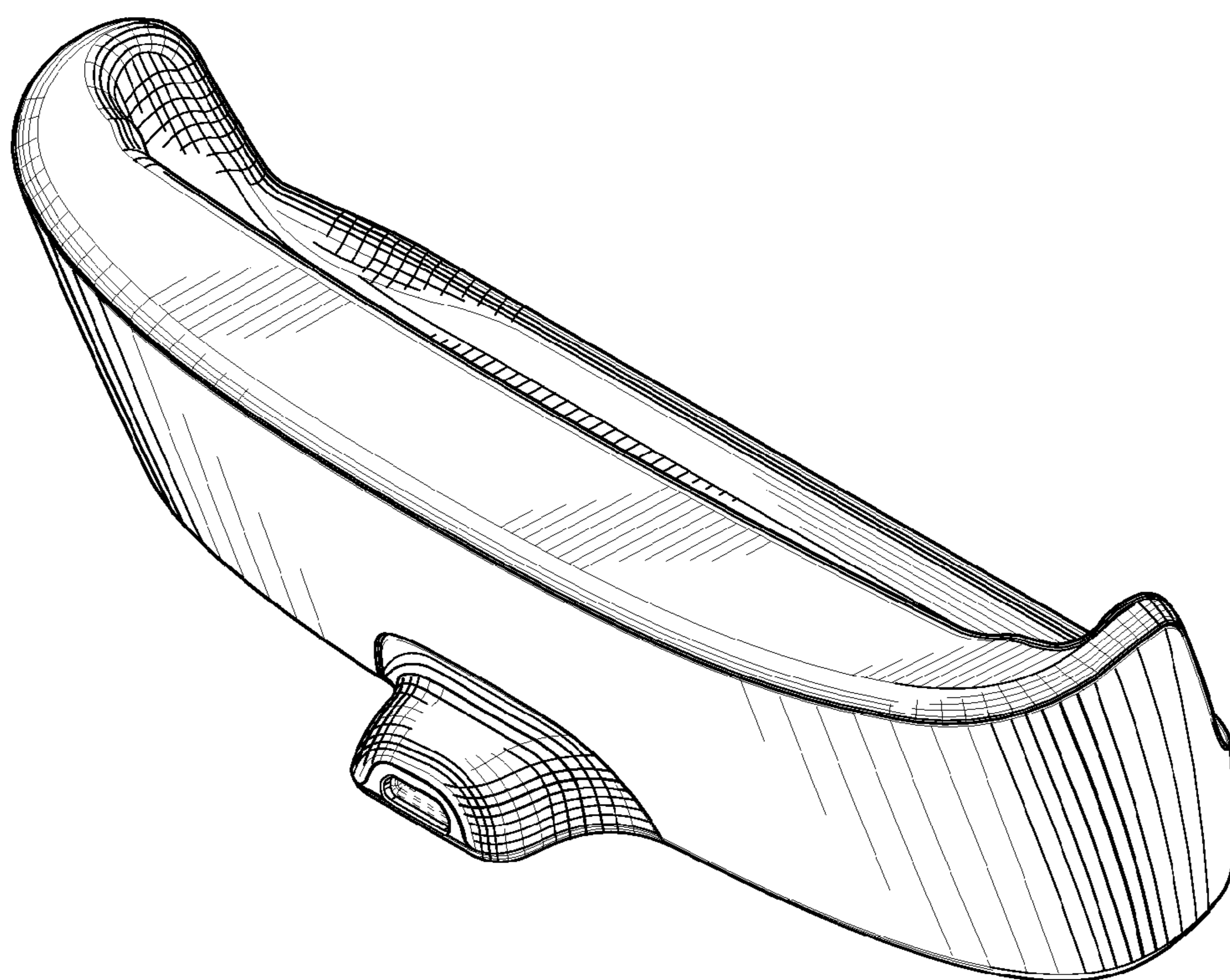


FIG.2

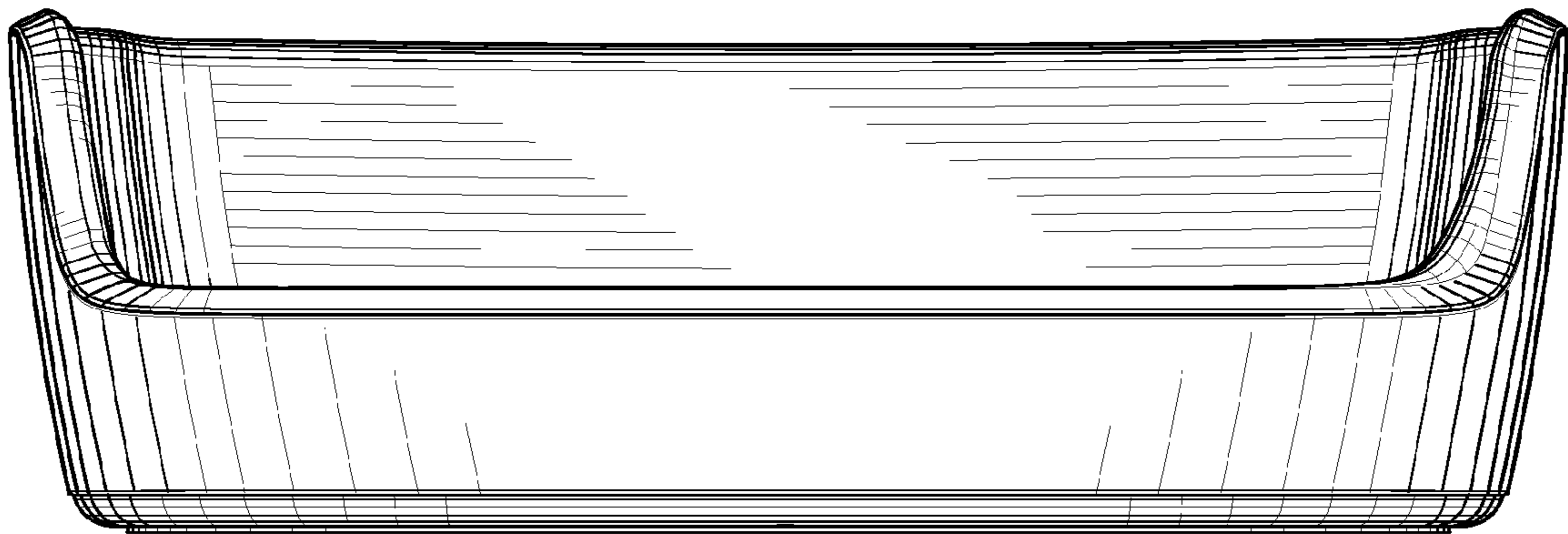


FIG.3

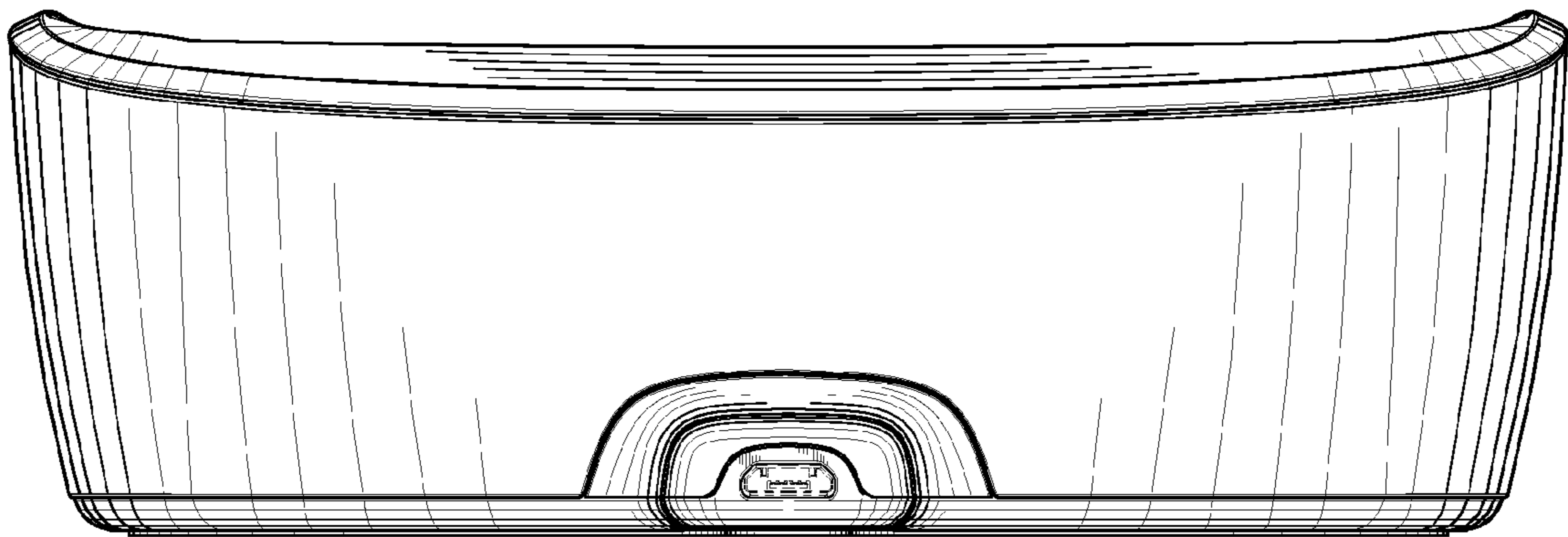


FIG.4

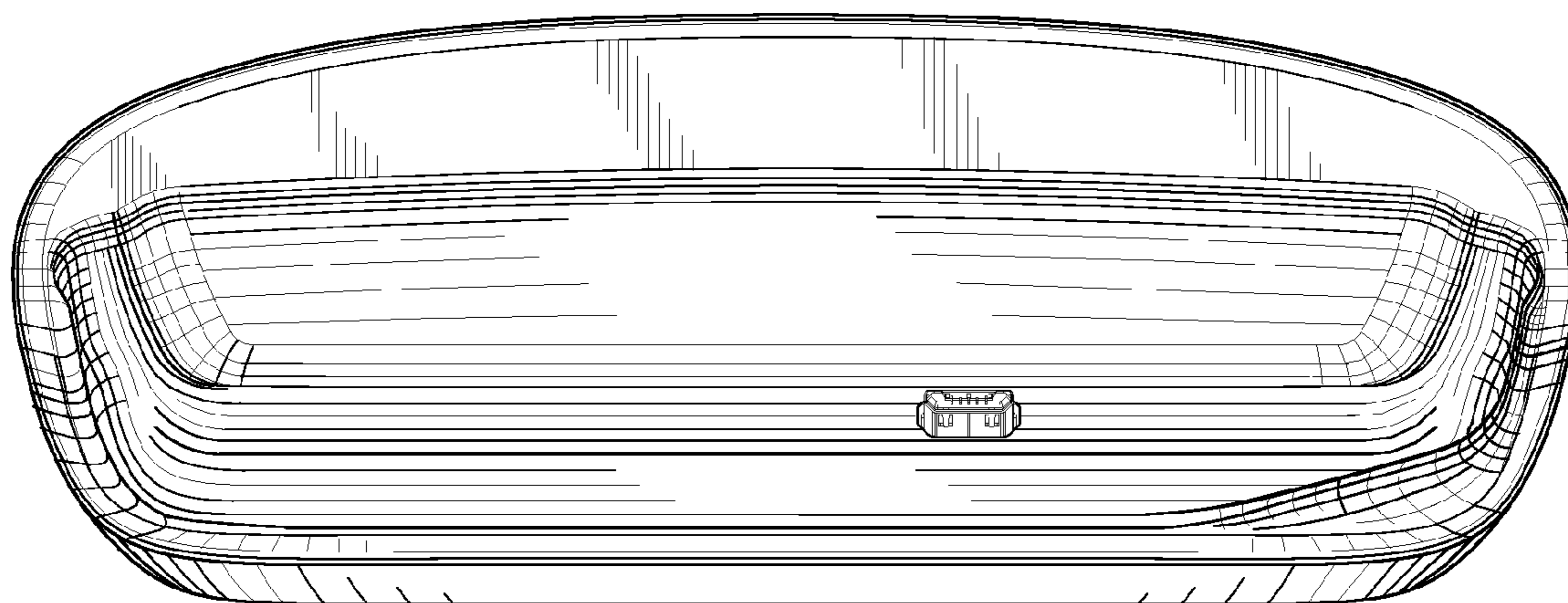


FIG.5

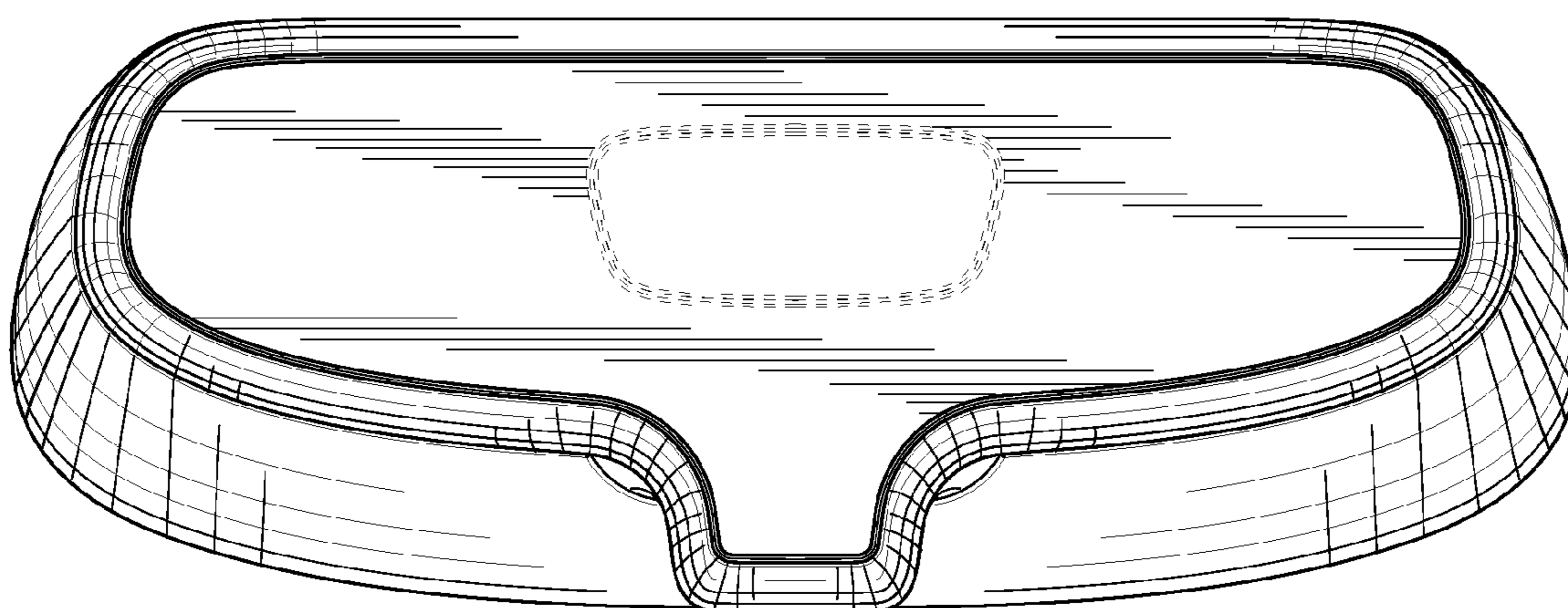


FIG.6

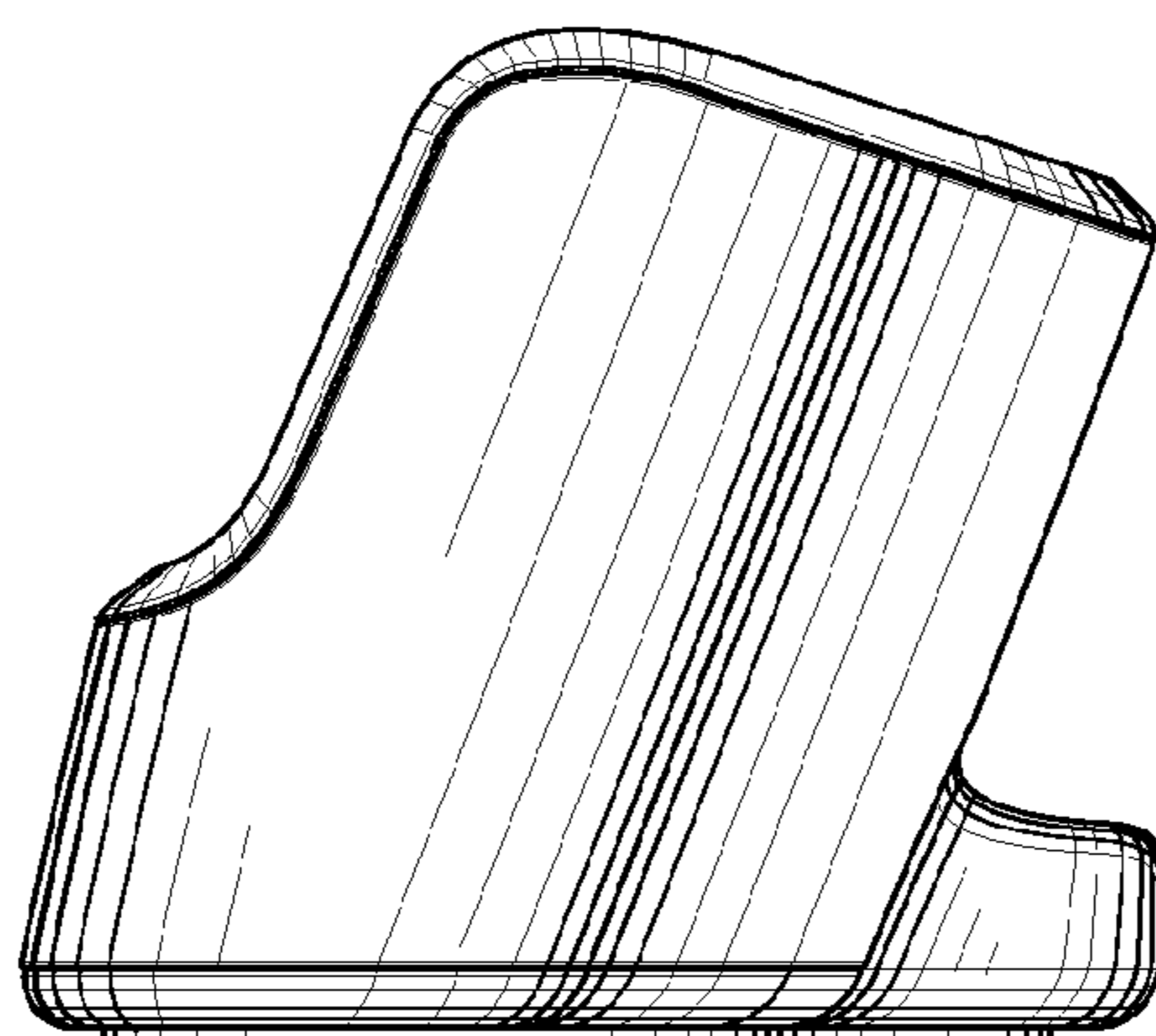


FIG. 7

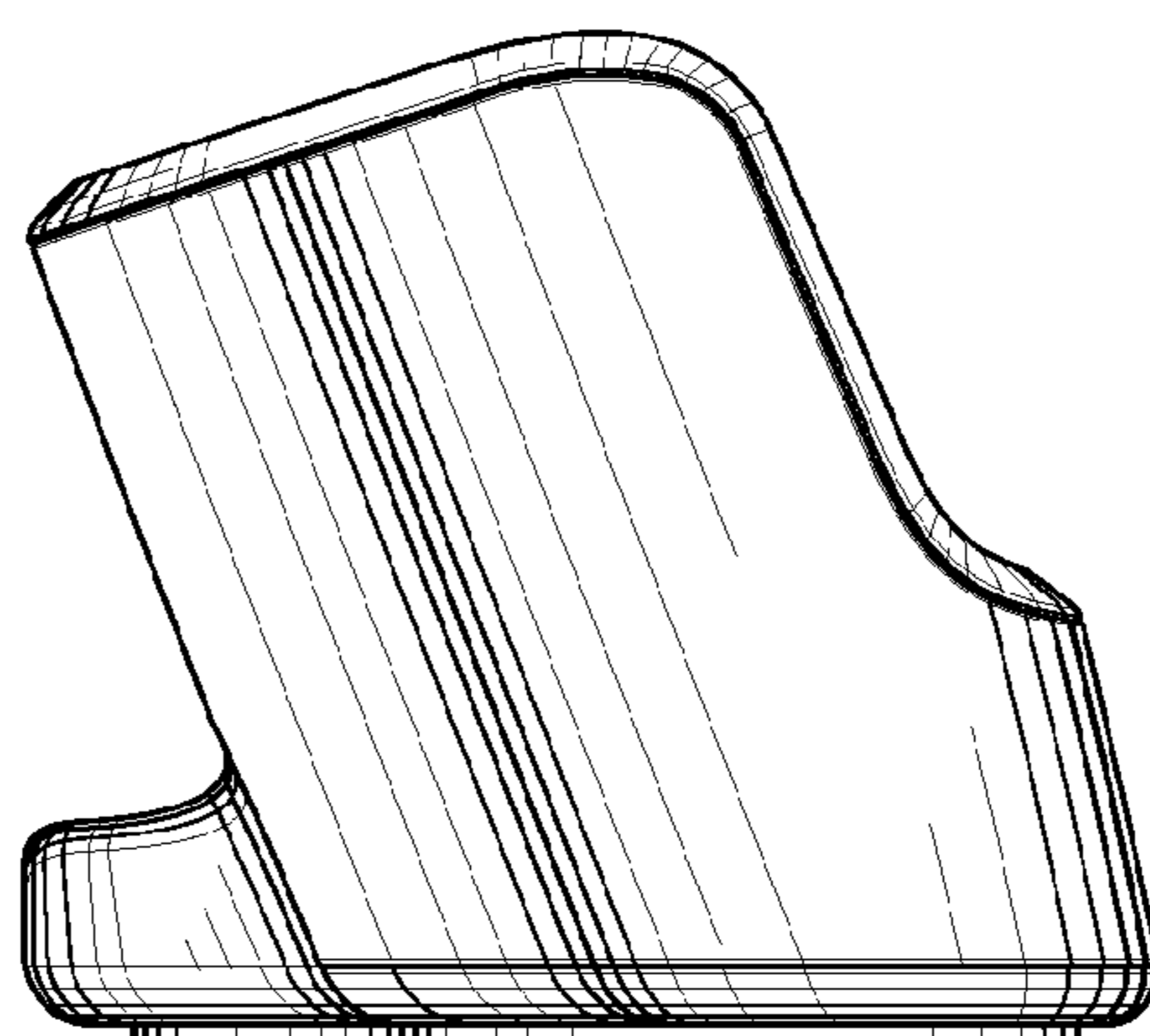


FIG. 8