



US00D631006S

(12) **United States Design Patent**
Fahrendorff

(10) **Patent No.:** **US D631,006 S**
(45) **Date of Patent:** **** Jan. 18, 2011**

(54) **CHARGING CRADLE**

(75) Inventor: **Anders Fahrendorff, Ottawa (CA)**

(73) Assignee: **Research In Motion Limited, Waterloo, Ontario (CA)**

(**) Term: **14 Years**

(21) Appl. No.: **29/341,620**

(22) Filed: **Aug. 10, 2009**

(51) **LOC (9) Cl.** **13-02**

(52) **U.S. Cl.** **D13/108**

(58) **Field of Classification Search** D13/107-110,
D13/118-119, 184; D14/251, 253, 432,
D14/434, 435.1; 320/107-115

See application file for complete search history.

(56) **References Cited**

U.S. PATENT DOCUMENTS

D274,903 S *	7/1984	Eckmann et al.	D13/107
D445,975 S *	7/2001	Stratford	D32/31
D463,361 S *	9/2002	Ruohonen	D13/108
D471,578 S *	3/2003	Okuley	D16/242
D510,091 S *	9/2005	Mori et al.	D14/434
D516,023 S *	2/2006	Quinn	D13/108
D524,730 S *	7/2006	Vu	D13/108
D580,855 S *	11/2008	Haspil et al.	D13/108

D580,856 S *	11/2008	Haspil et al.	D13/108
D603,333 S *	11/2009	Fahrendorff et al.	D13/107
D606,491 S *	12/2009	Rosen	D13/108
D610,984 S *	3/2010	Khan et al.	D13/108

* cited by examiner

Primary Examiner—Rosemary K Tarca

(57) **CLAIM**

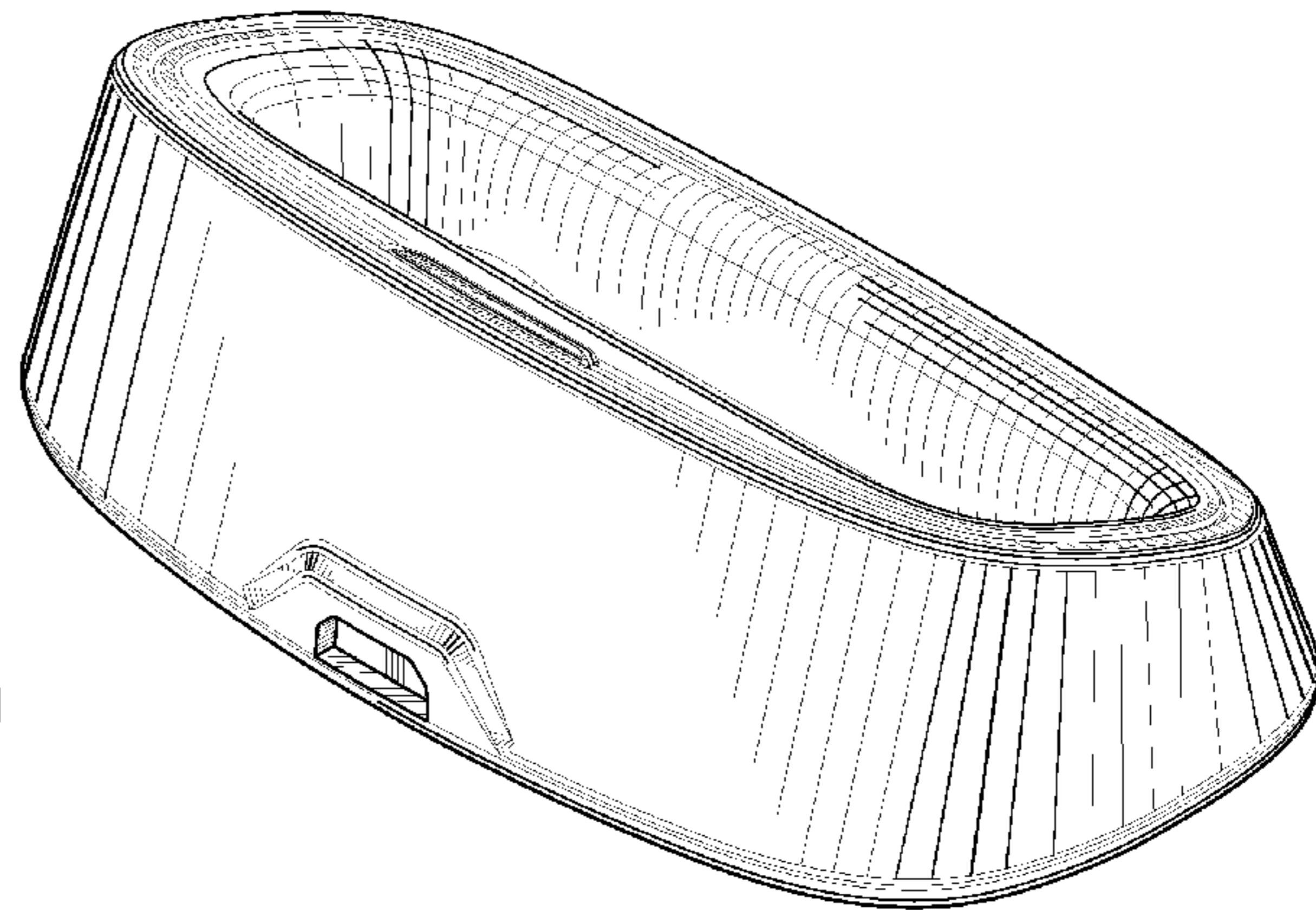
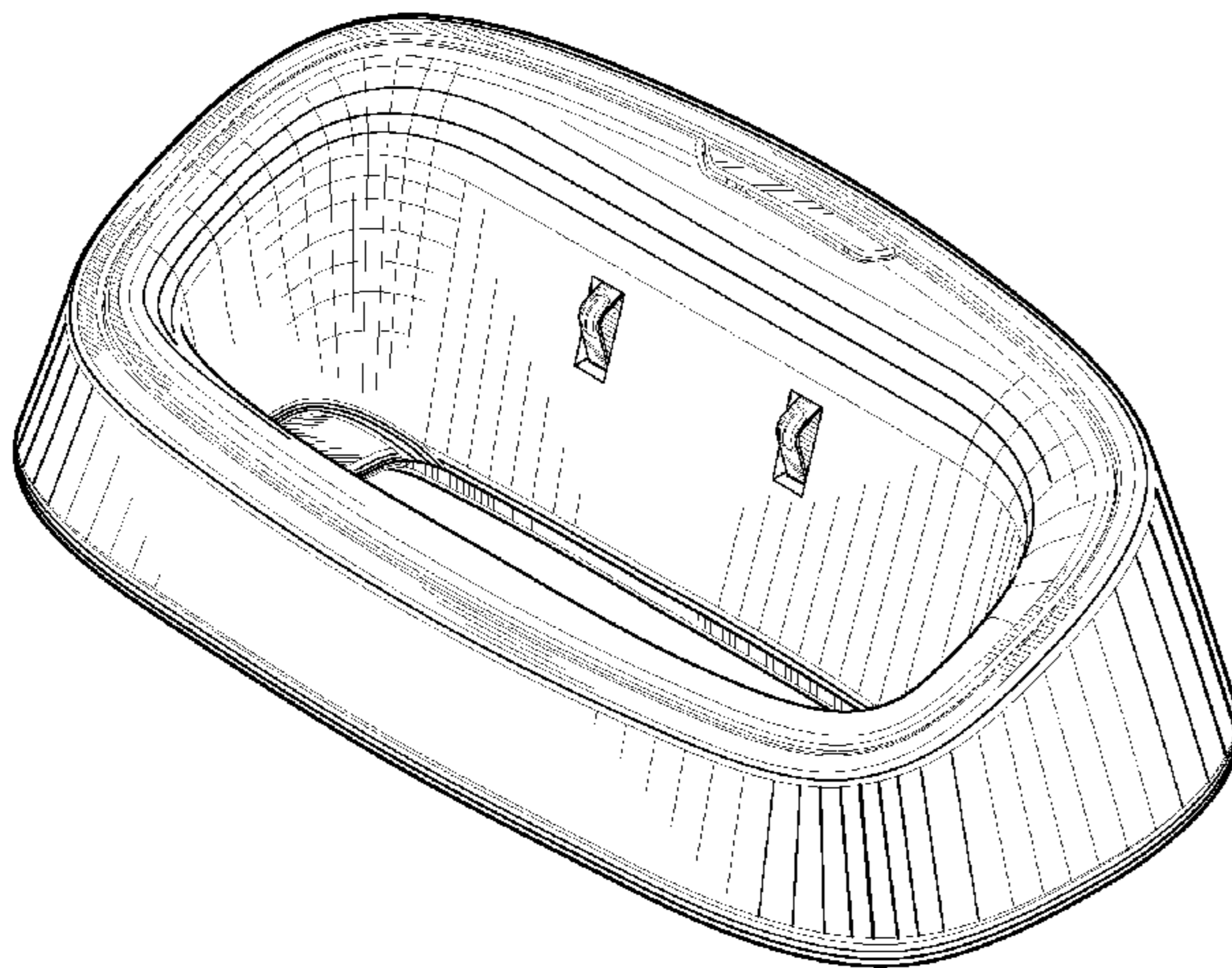
I claim the ornamental design for a charging cradle, as shown and described.

DESCRIPTION

FIG. 1 is a front perspective view of a charging cradle;
FIG. 2 is a back perspective view of the charging cradle;
FIG. 3 is a front elevation view thereof;
FIG. 4 is a back elevation view thereof;
FIG. 5 is a top plan view thereof;
FIG. 6 is a bottom plan view thereof;
FIG. 7 is a left elevation view thereof; and,
FIG. 8 is a right elevation view thereof.

The broken lines shown in the drawings are included for the purpose of illustrating unclaimed portions of the charging cradle and form no part of the claimed design.

1 Claim, 5 Drawing Sheets



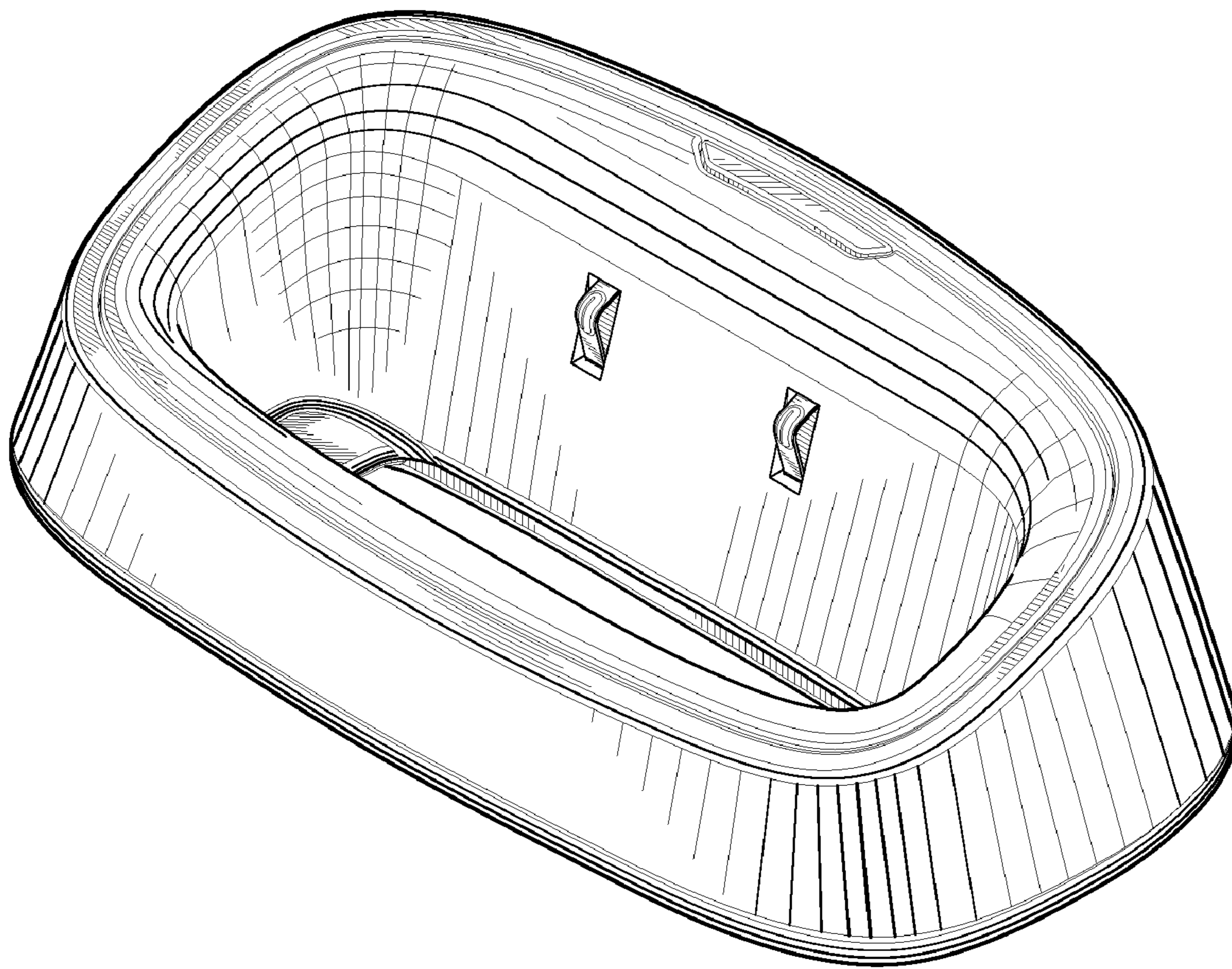


FIG.1

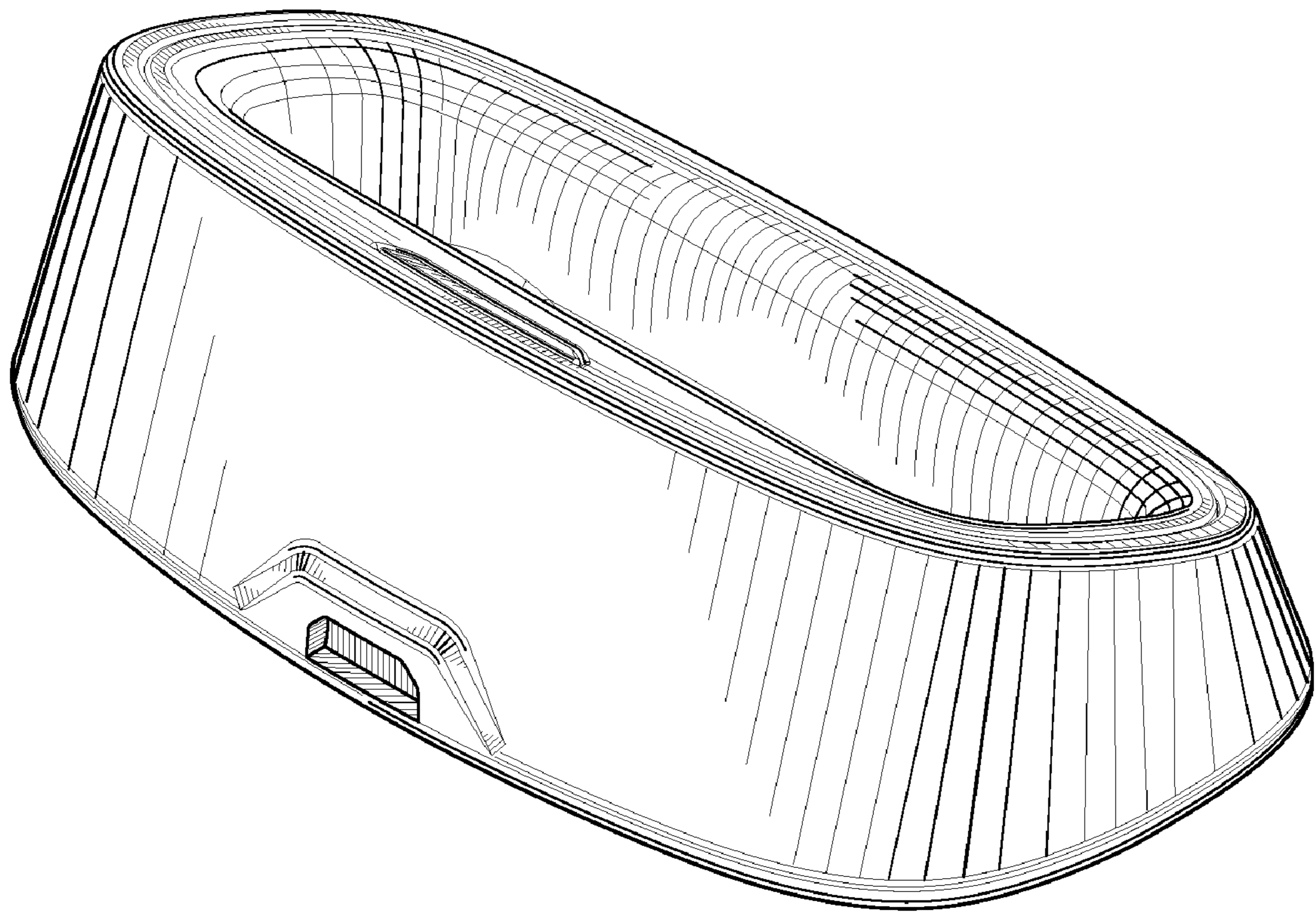


FIG.2

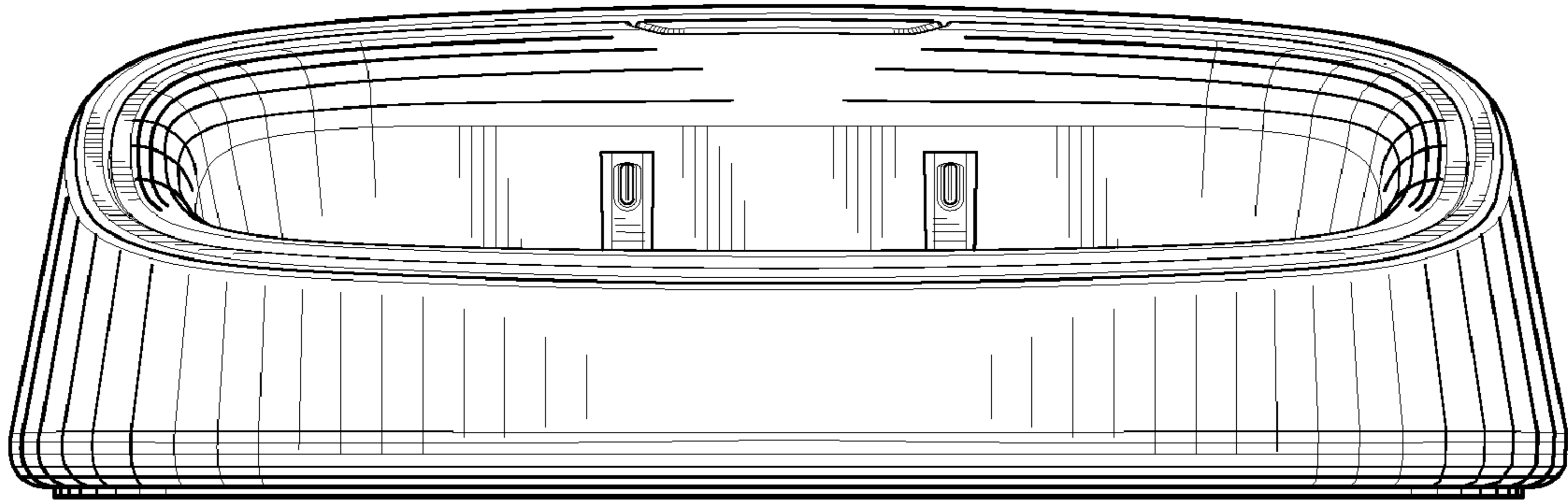


FIG.3

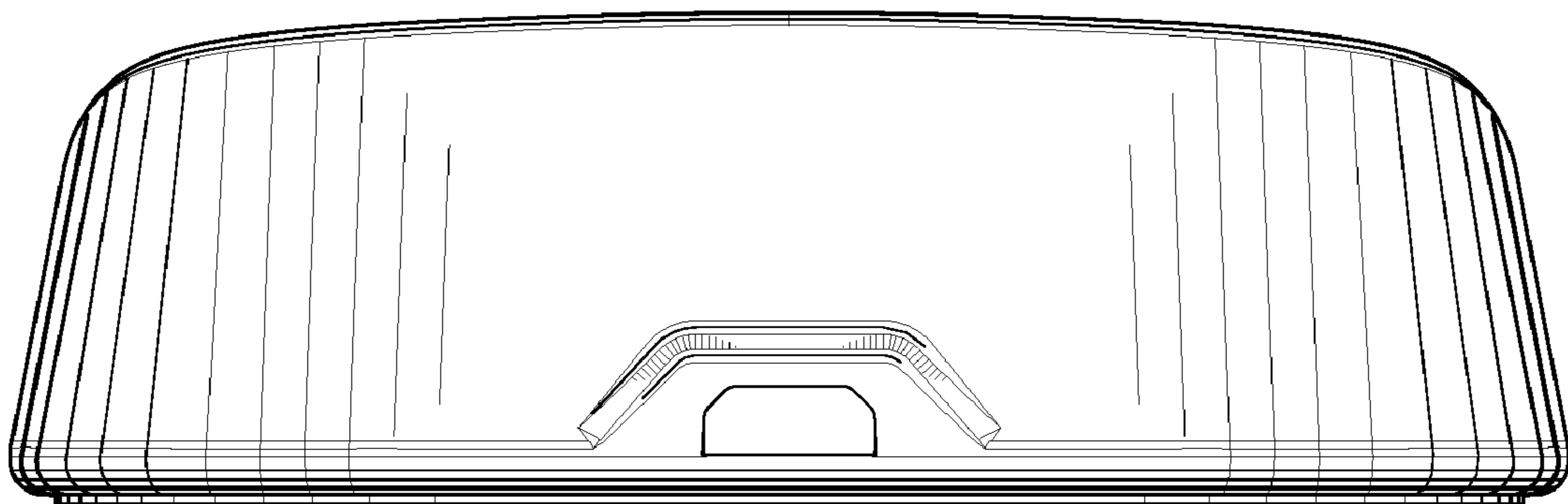


FIG.4

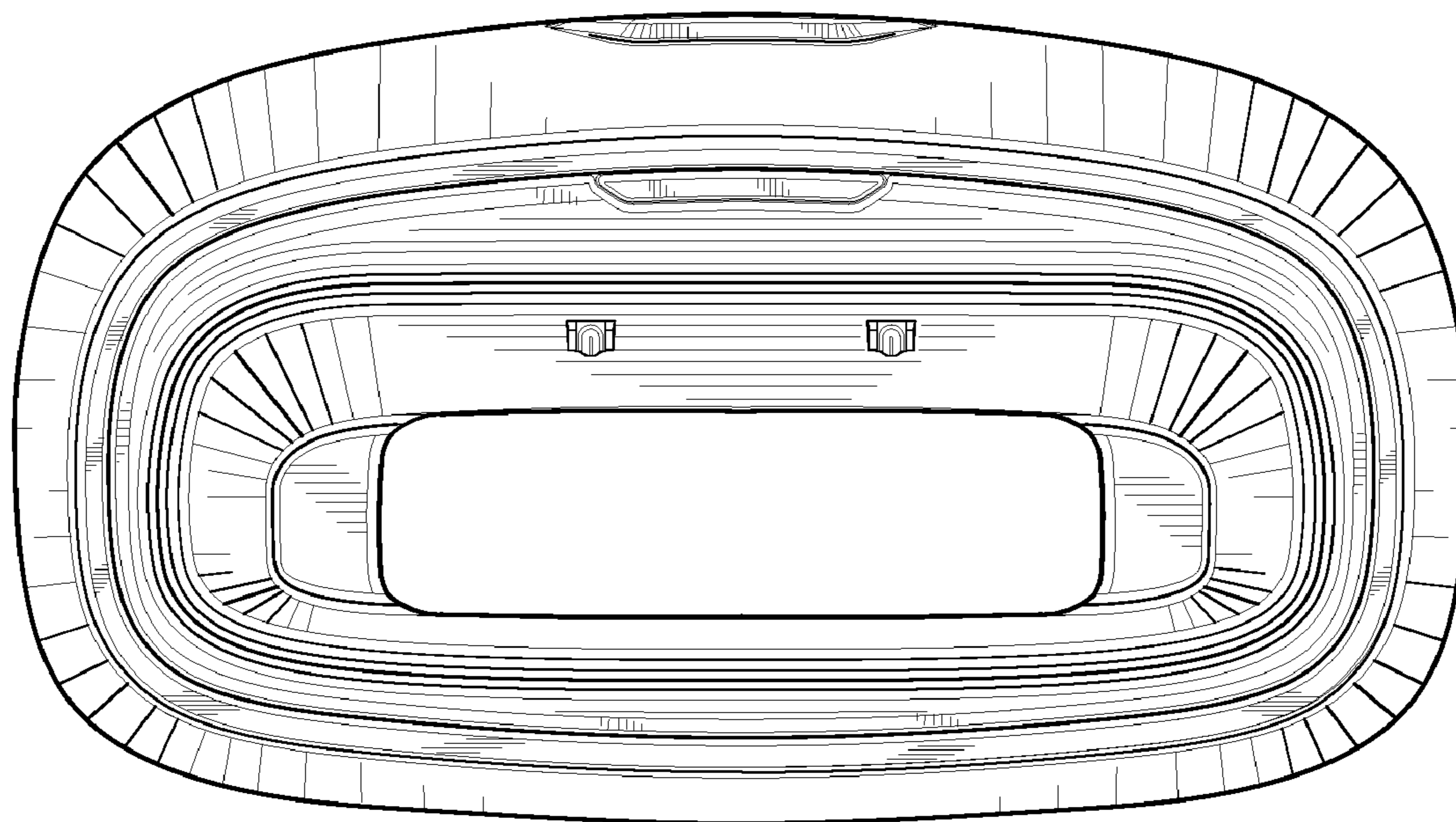


FIG.5

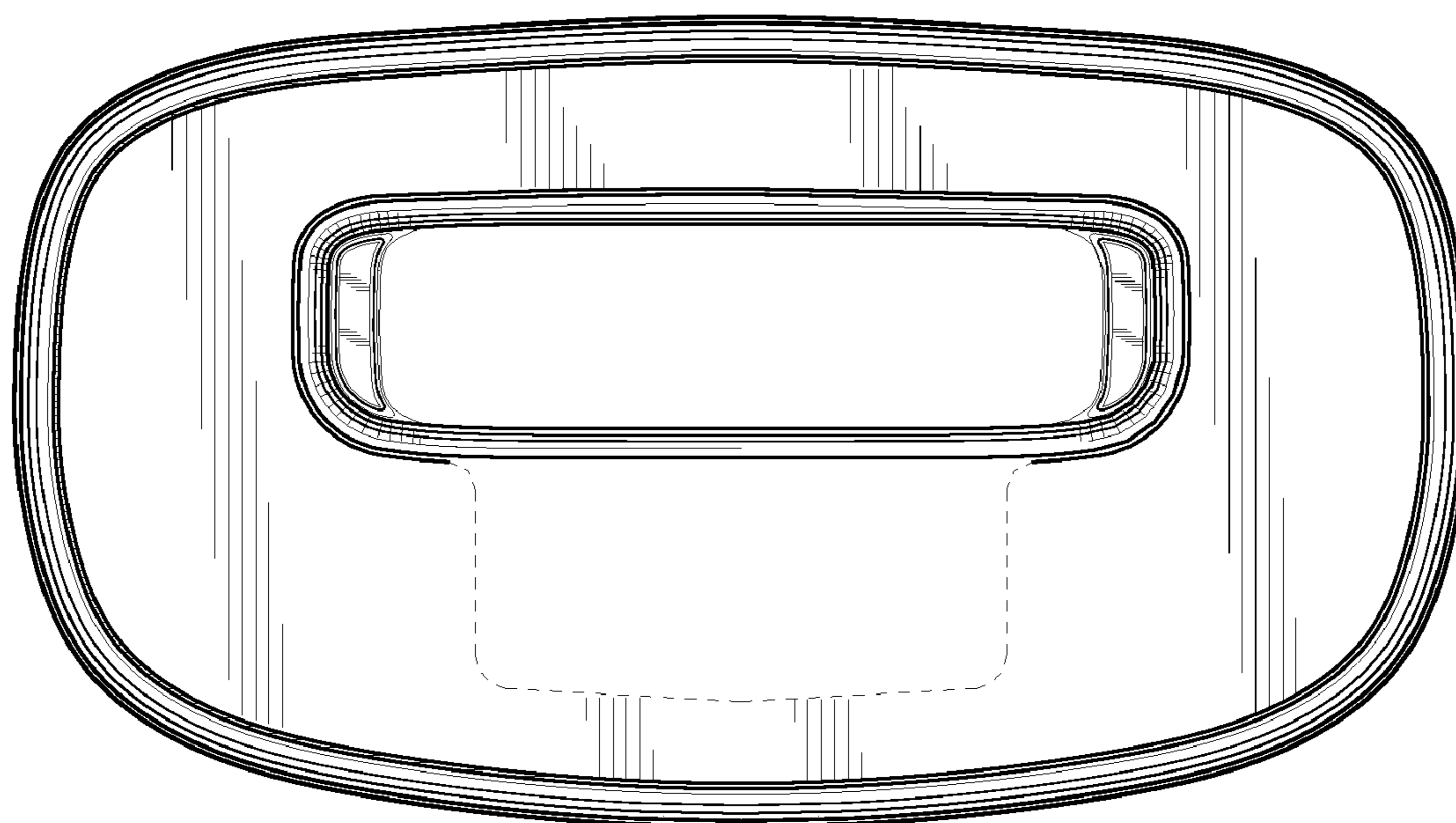


FIG.6

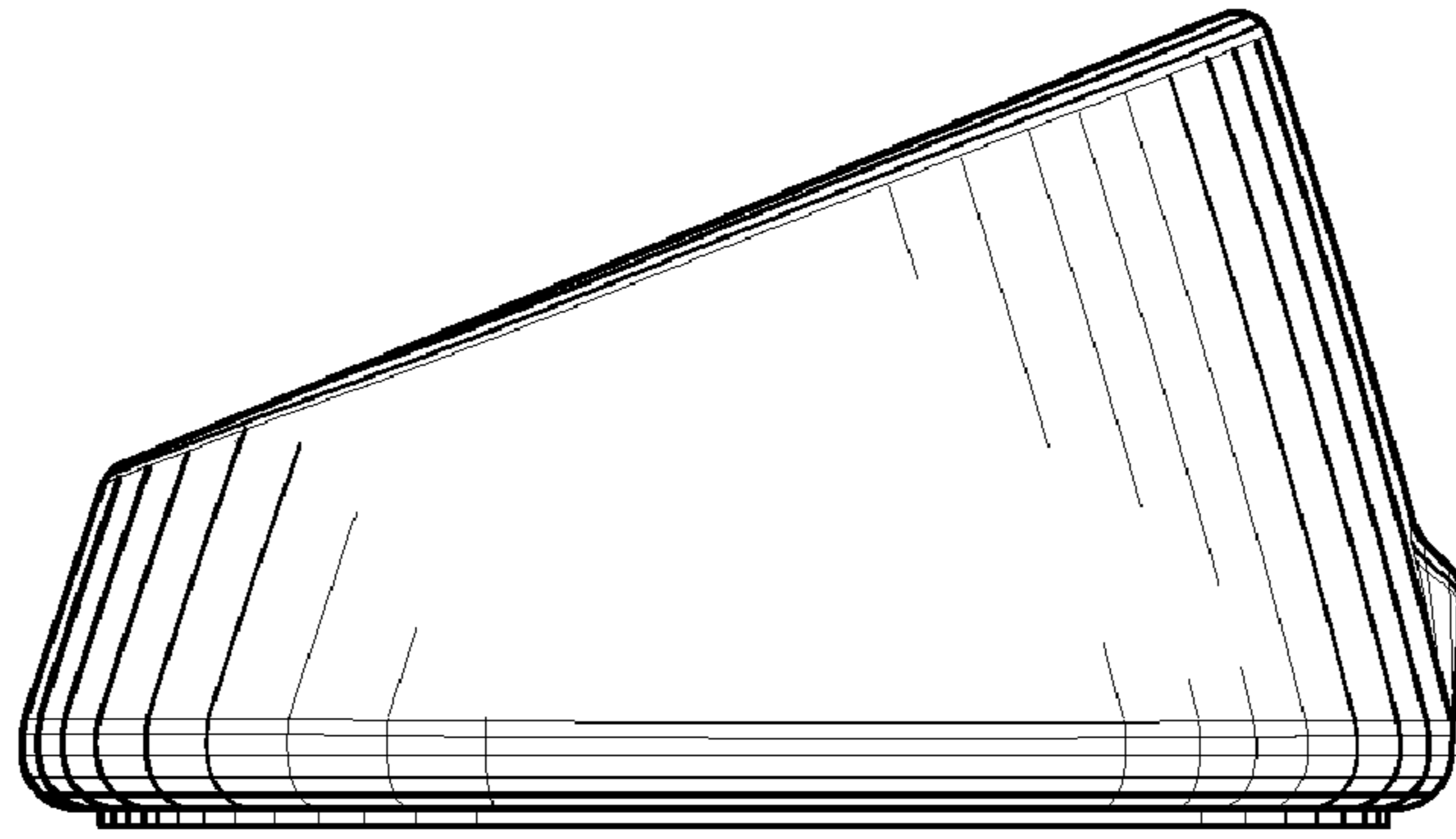


FIG. 7

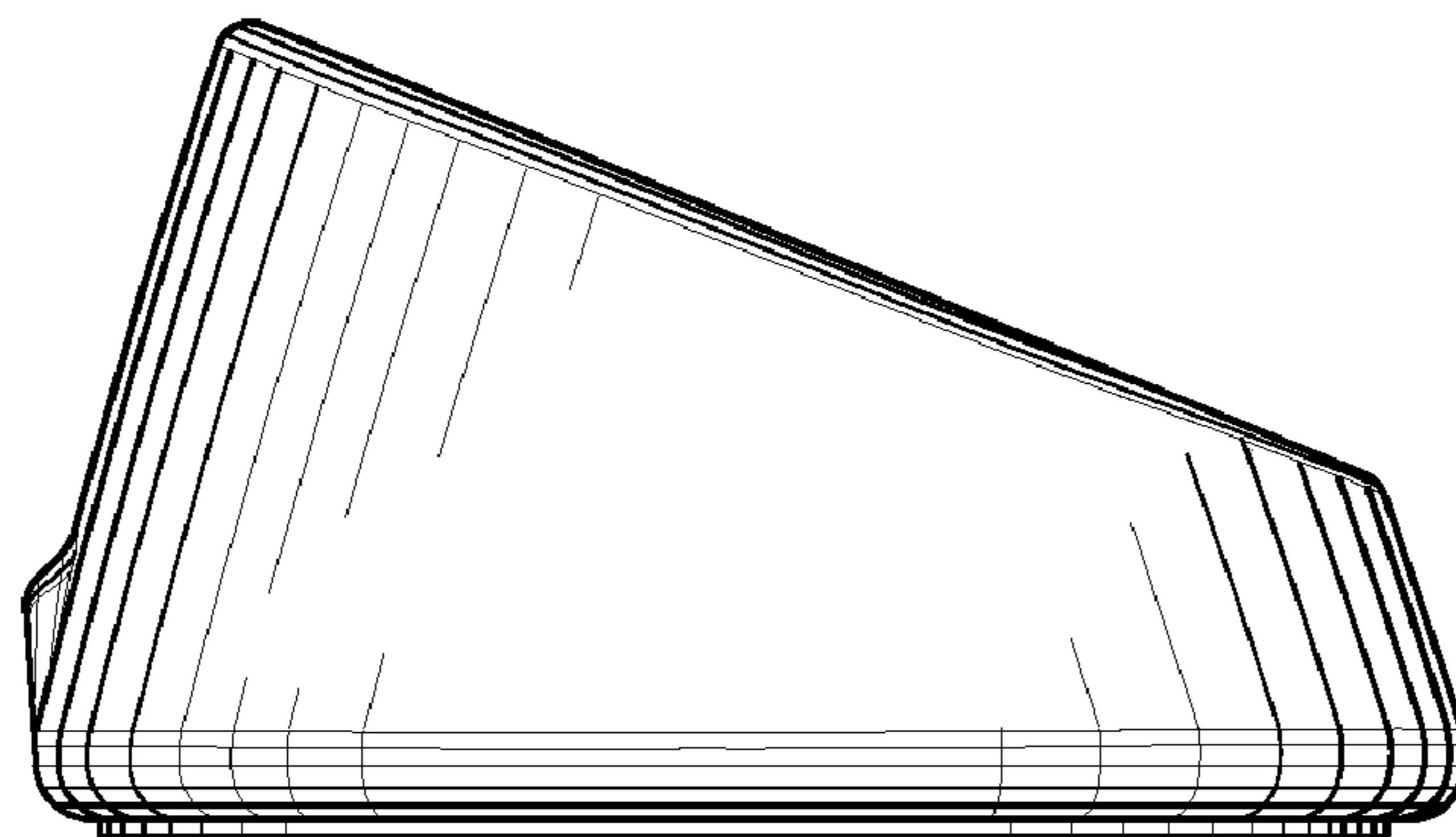


FIG. 8